



US00D730957S

(12) **United States Design Patent**  
**You et al.**

(10) **Patent No.:** **US D730,957 S**  
(45) **Date of Patent:** **\*\* Jun. 2, 2015**

(54) **DRAWER FOR REFRIGERATOR**

(71) Applicant: **LG Electronics Inc.**, Seoul (KR)

(72) Inventors: **Myungdong You**, Incheon (KR);  
**Hyungki Kim**, Seoul (KR); **Junyi Heo**,  
Jeollabuk-do (KR)

(73) Assignee: **LG Electronics Inc.**, Seoul (KR)

(\*\*) Term: **14 Years**

(21) Appl. No.: **29/475,364**

(22) Filed: **Dec. 3, 2013**

(30) **Foreign Application Priority Data**

Jun. 13, 2013 (KR) ..... 30-2013-0030704

(51) **LOC (10) Cl.** ..... **15-07**

(52) **U.S. Cl.**  
USPC ..... **D15/91**

(58) **Field of Classification Search**  
USPC ..... D15/79, 81, 83, 84, 85, 86, 87, 88, 89,  
D15/91  
CPC ..... F25B 21/02; F25B 2321/02; F25B 1/005;  
F25B 2321/0252; F25B 1/00; F25B 1/10;  
F25B 21/04; F25B 2339/047; F25B 5/02;  
F25B 7/00; F25B 13/00; F25B 1/053; F25B  
2309/06; F25B 2321/021; F25B 2321/023;  
F25D 23/028; F25D 23/02; F25D 25/025;  
F25D 23/00; F25D 2323/021; F25D 11/00;  
F25D 2323/024; F25D 23/04; F25D 29/00;  
F25D 25/02; F25D 25/024; F25D 27/005;  
F25D 23/12; F25D 29/005; F25D 17/042;  
F25D 2325/021

See application file for complete search history.

(56) **References Cited**

U.S. PATENT DOCUMENTS

D513,270	S	*	12/2005	Seok et al.	.....	D15/89
D656,968	S	*	4/2012	Hwang et al.	.....	D15/86
D671,152	S	*	11/2012	Seo et al.	.....	D15/89
D706,315	S	*	6/2014	Seo et al.	.....	D15/89
D709,925	S	*	7/2014	Seo et al.	.....	D15/89

\* cited by examiner

*Primary Examiner* — Daniel Bui

*Assistant Examiner* — Khawaja Anwar

(74) *Attorney, Agent, or Firm* — Morgan, Lewis & Bockius LLP

(57) **CLAIM**

The ornamental design for a drawer for refrigerator, as shown and described.

**DESCRIPTION**

FIG. 1 is a perspective view of a drawer for refrigerator showing our new design;  
FIG. 2 is a front view thereof;  
FIG. 3 is a rear view thereof;  
FIG. 4 is a left side view thereof where the right side view is a mirror image;  
FIG. 5 is a top plan view thereof;  
FIG. 6 is a bottom plan view thereof;  
FIG. 7 is a perspective view thereof showing the state that the two separate top portions have been respectively moved leftward or rightward;  
FIG. 8 is a front view thereof;  
FIG. 9 is a rear view thereof;  
FIG. 10 is a top plan view thereof;  
FIG. 11 is a bottom view thereof;  
FIG. 12 is a perspective view of FIG. 7 showing the state that the front portion has been tilted;  
FIG. 13 is front view thereof;  
FIG. 14 is a rear view thereof;  
FIG. 15 is a left side view thereof;  
FIG. 16 is a top plan view thereof; and,  
FIG. 17 is a bottom plan view thereof.  
The broken line in the figure drawings represents unclaimed environment only and forms no part of the claimed design.

**1 Claim, 17 Drawing Sheets**

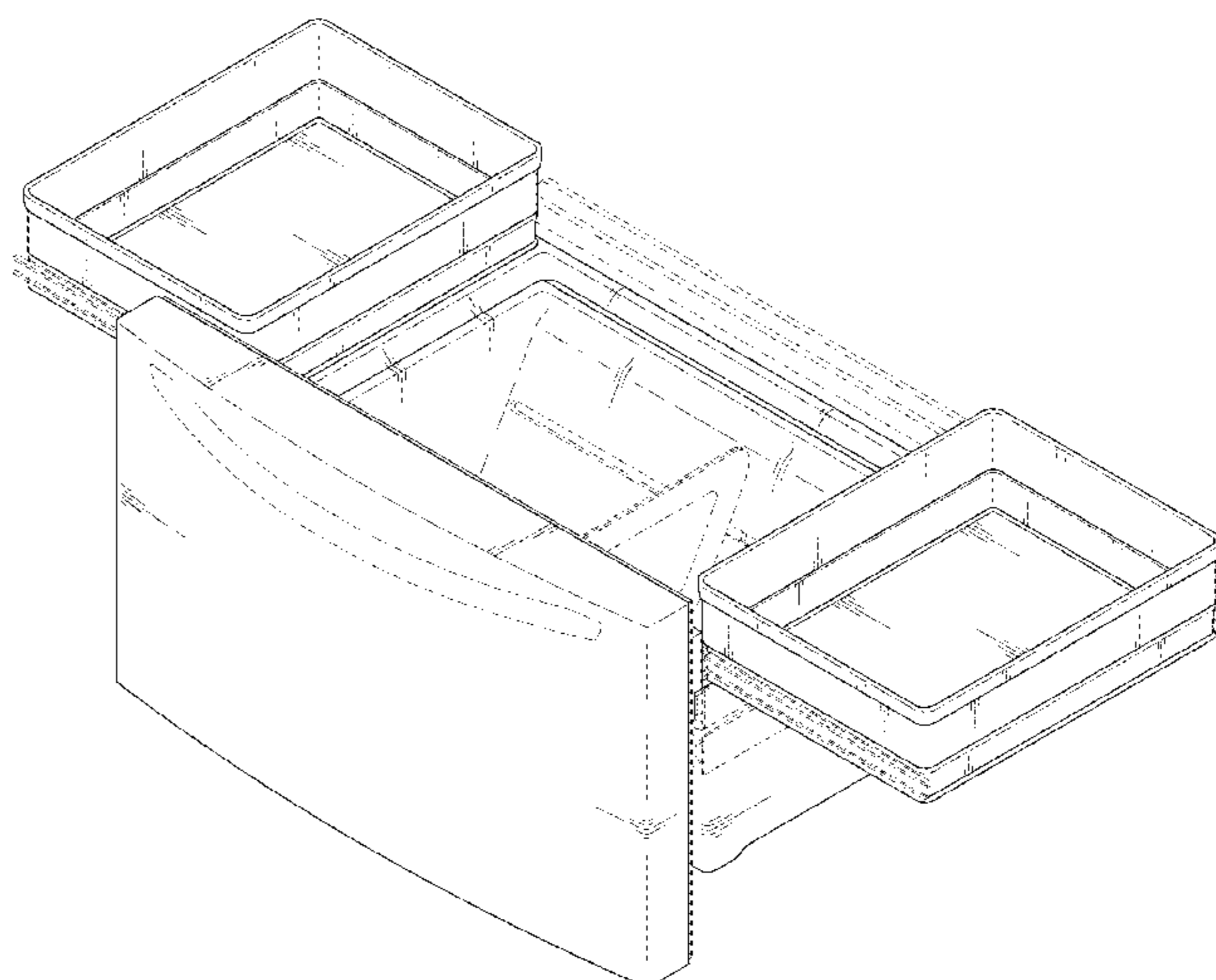
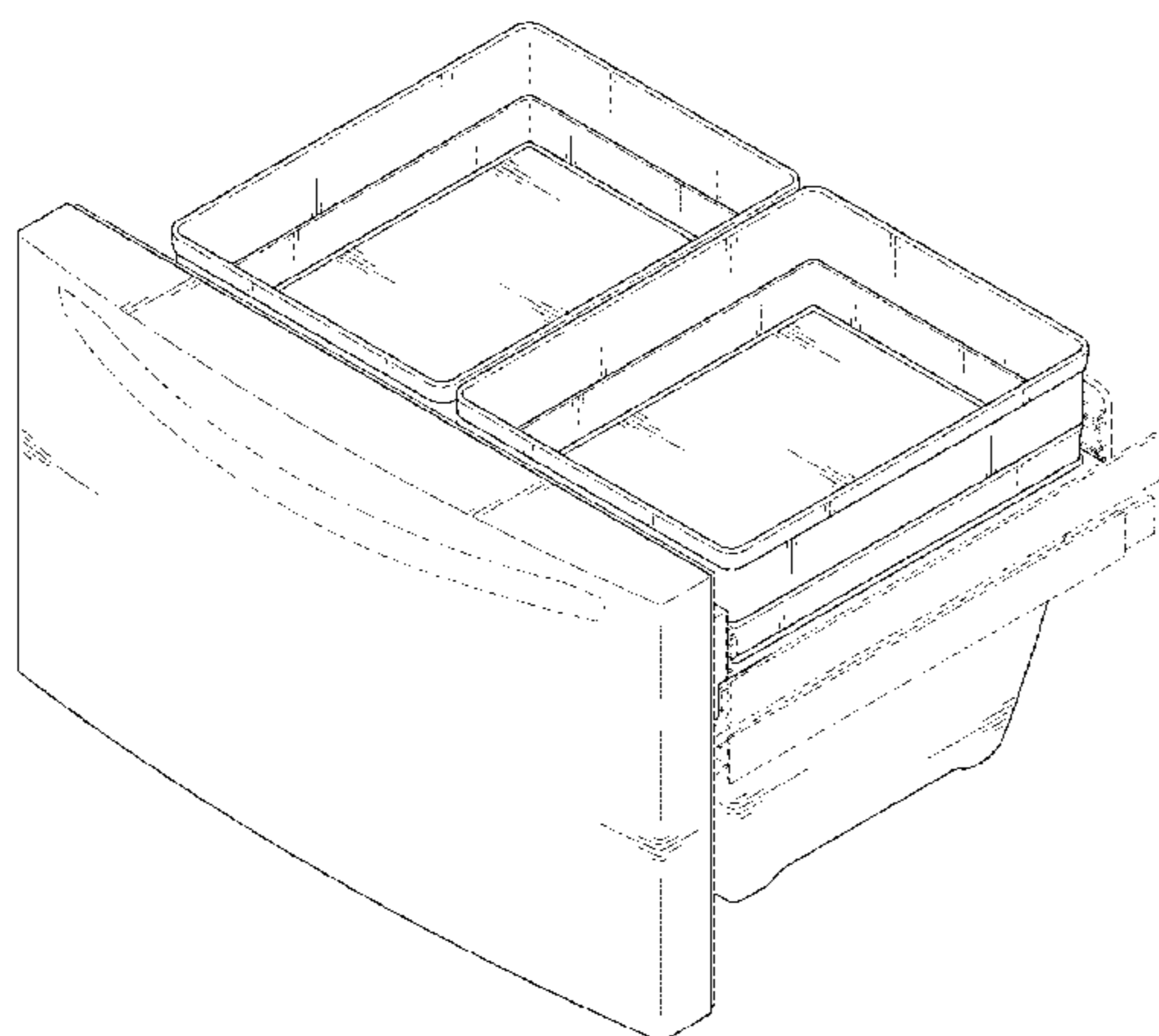


FIG. 1

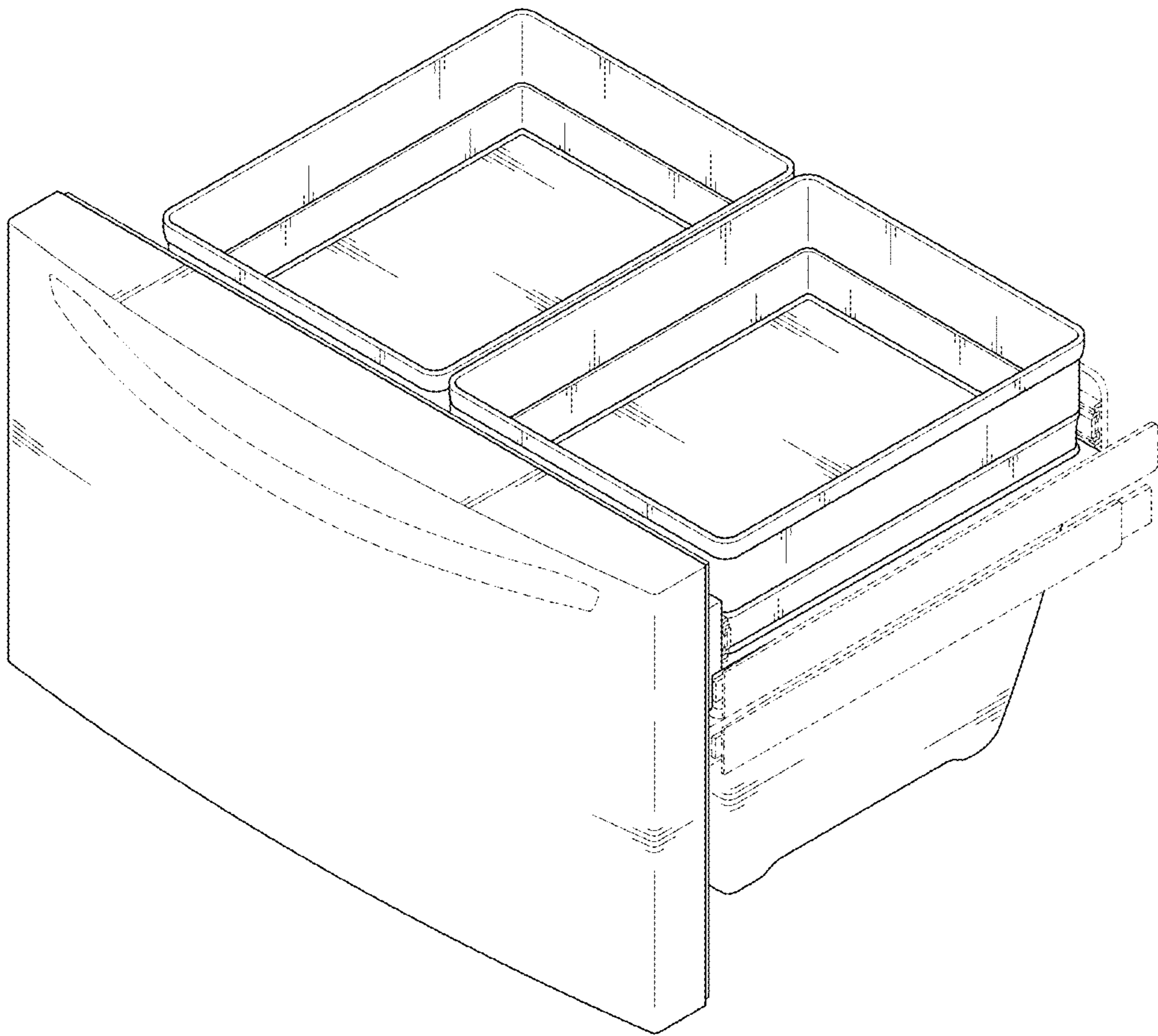


FIG. 2



FIG. 3

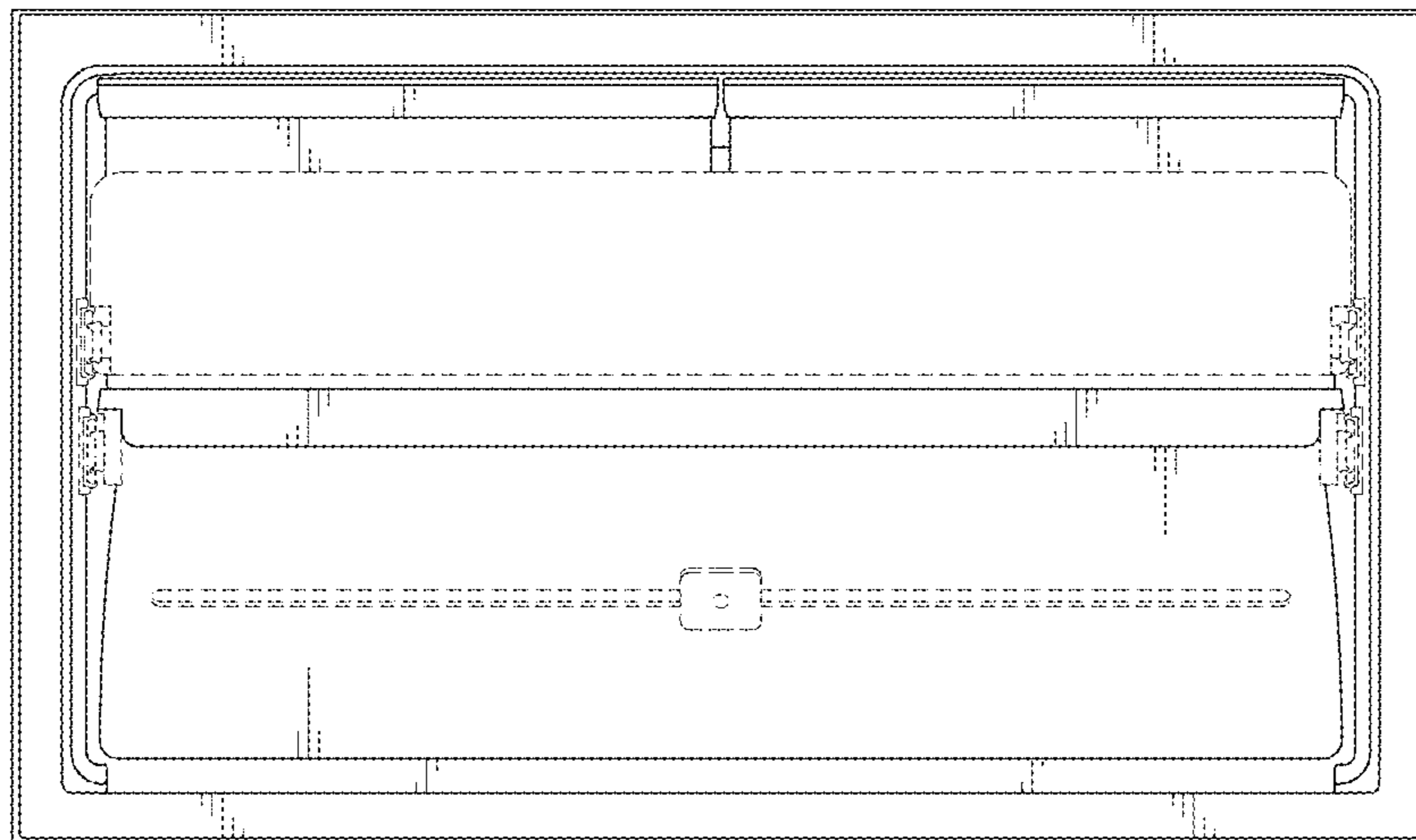


FIG. 4

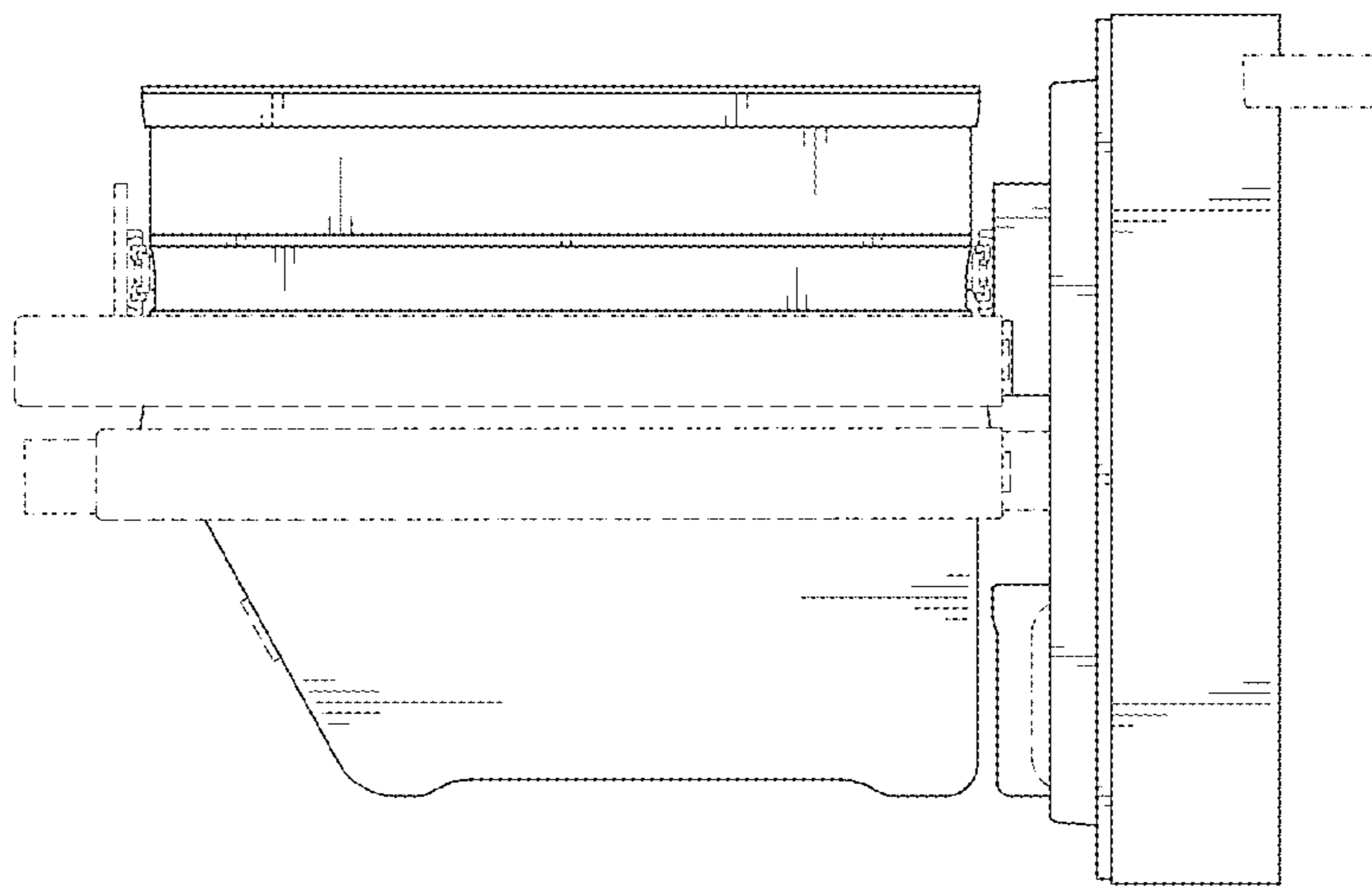


FIG. 5

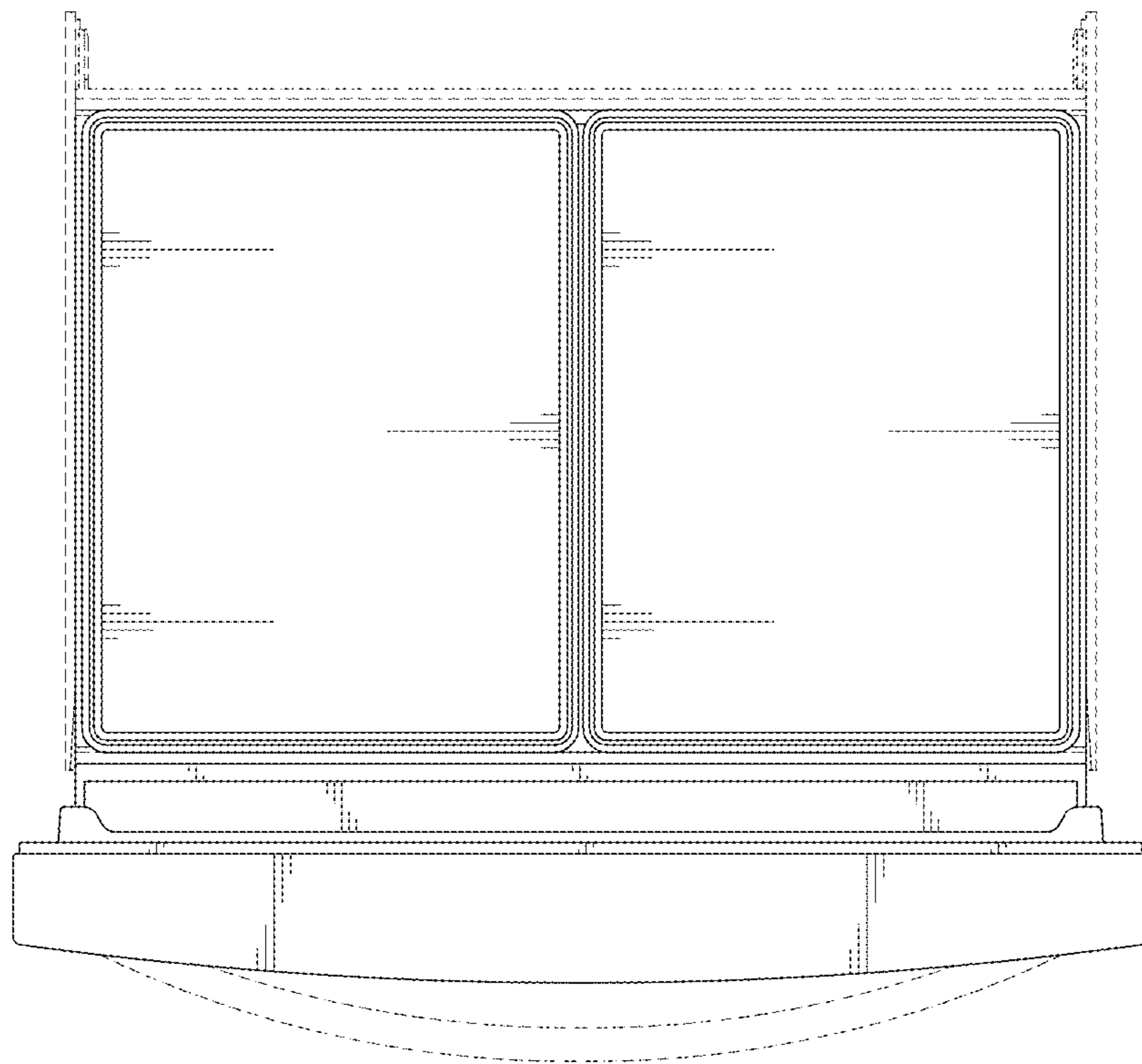


FIG. 6

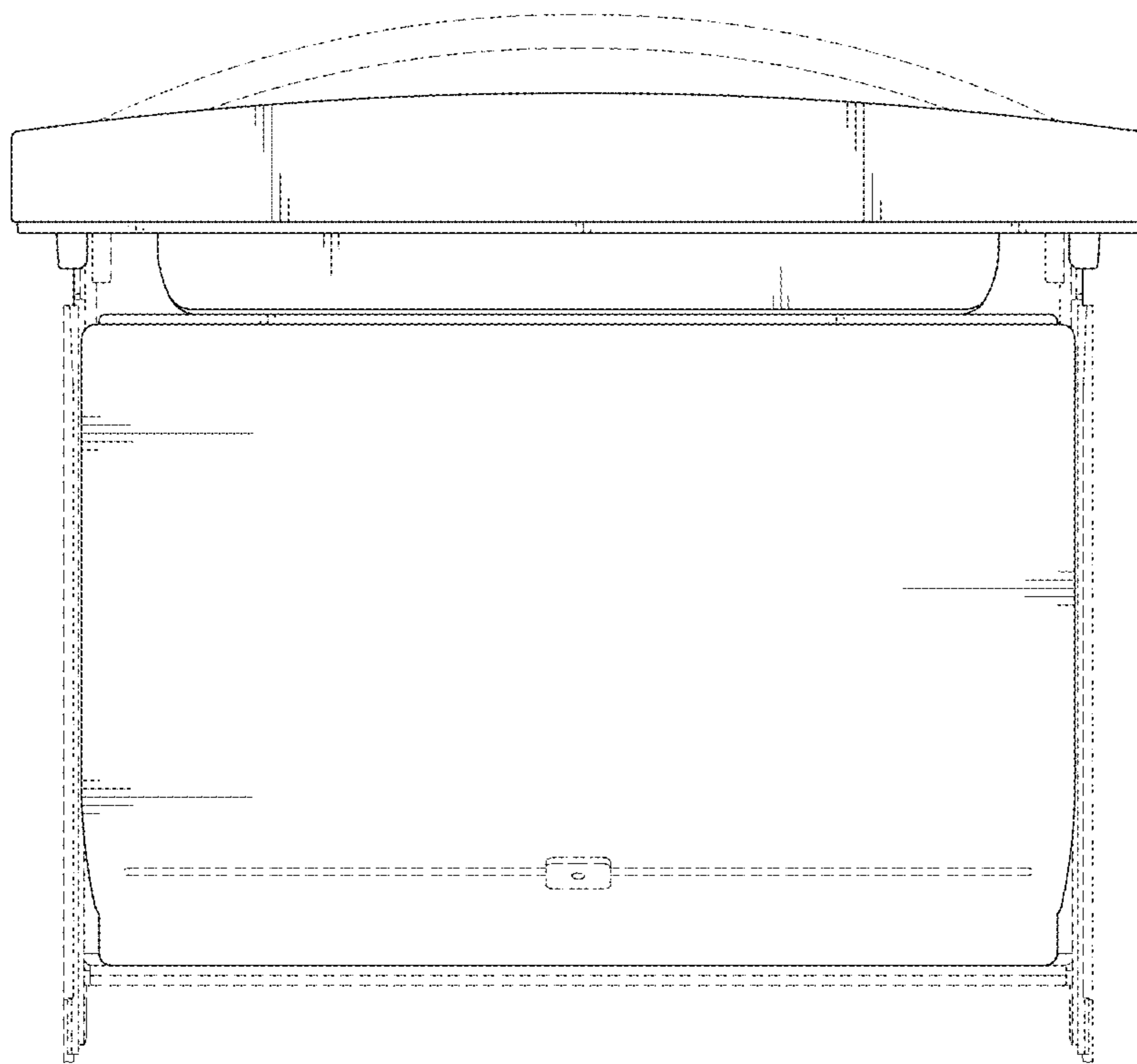


FIG. 7

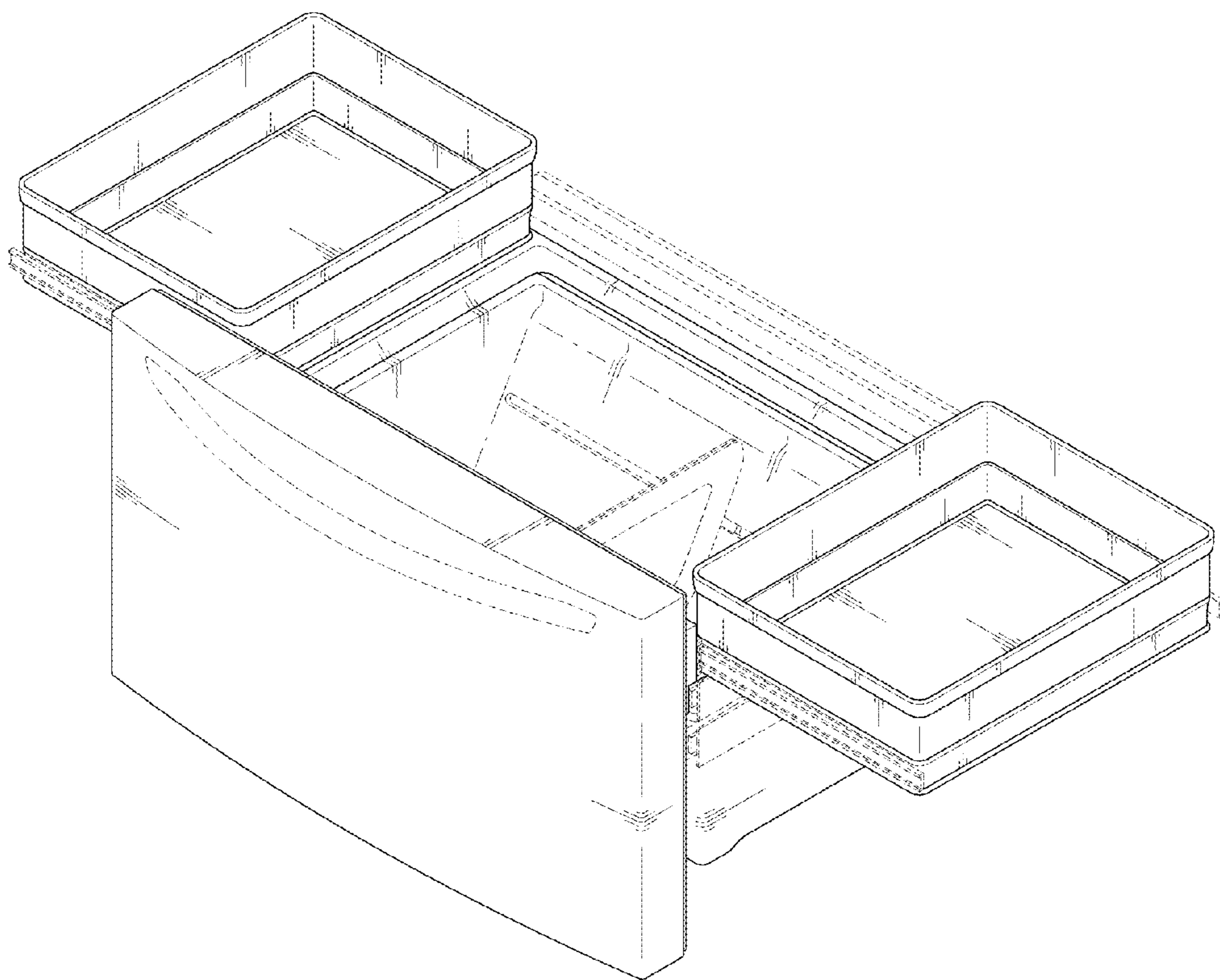




FIG. 8

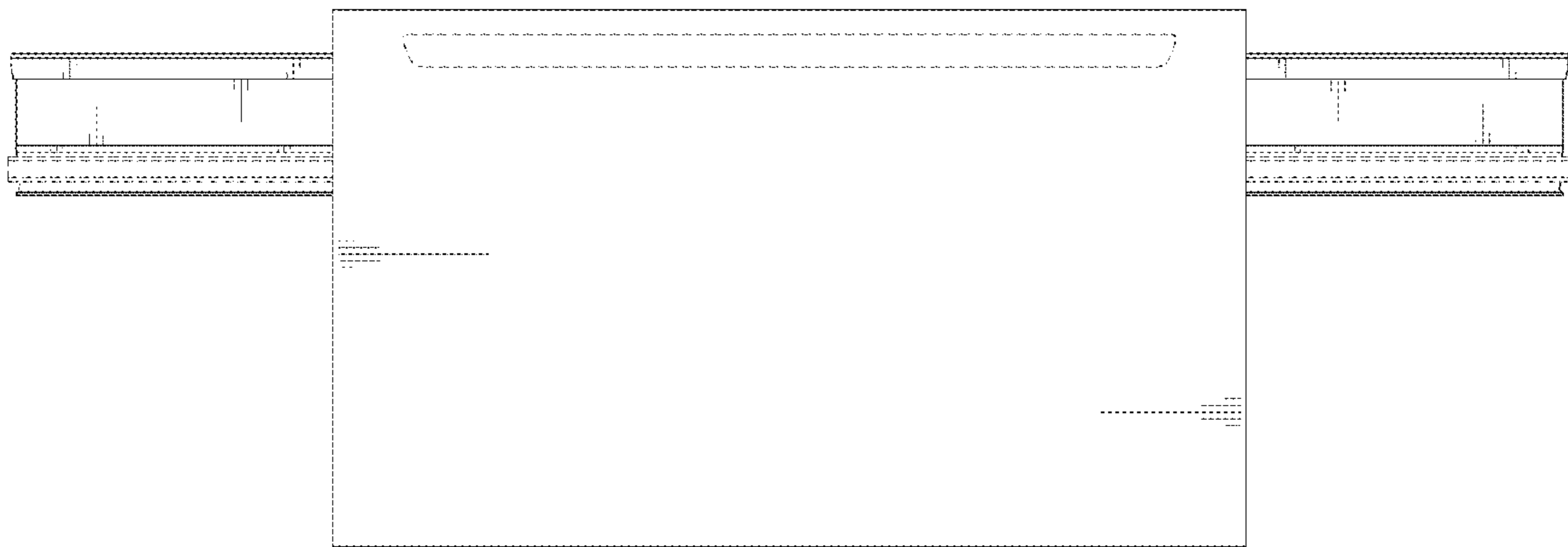


FIG. 9

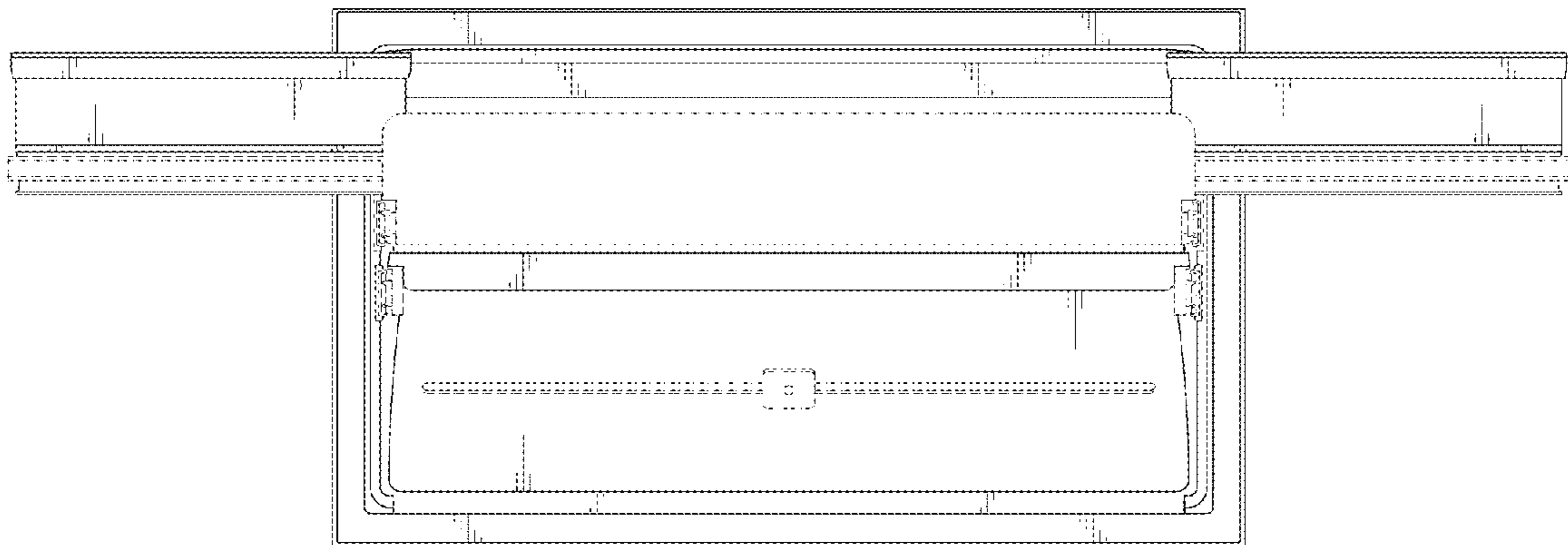


FIG. 10

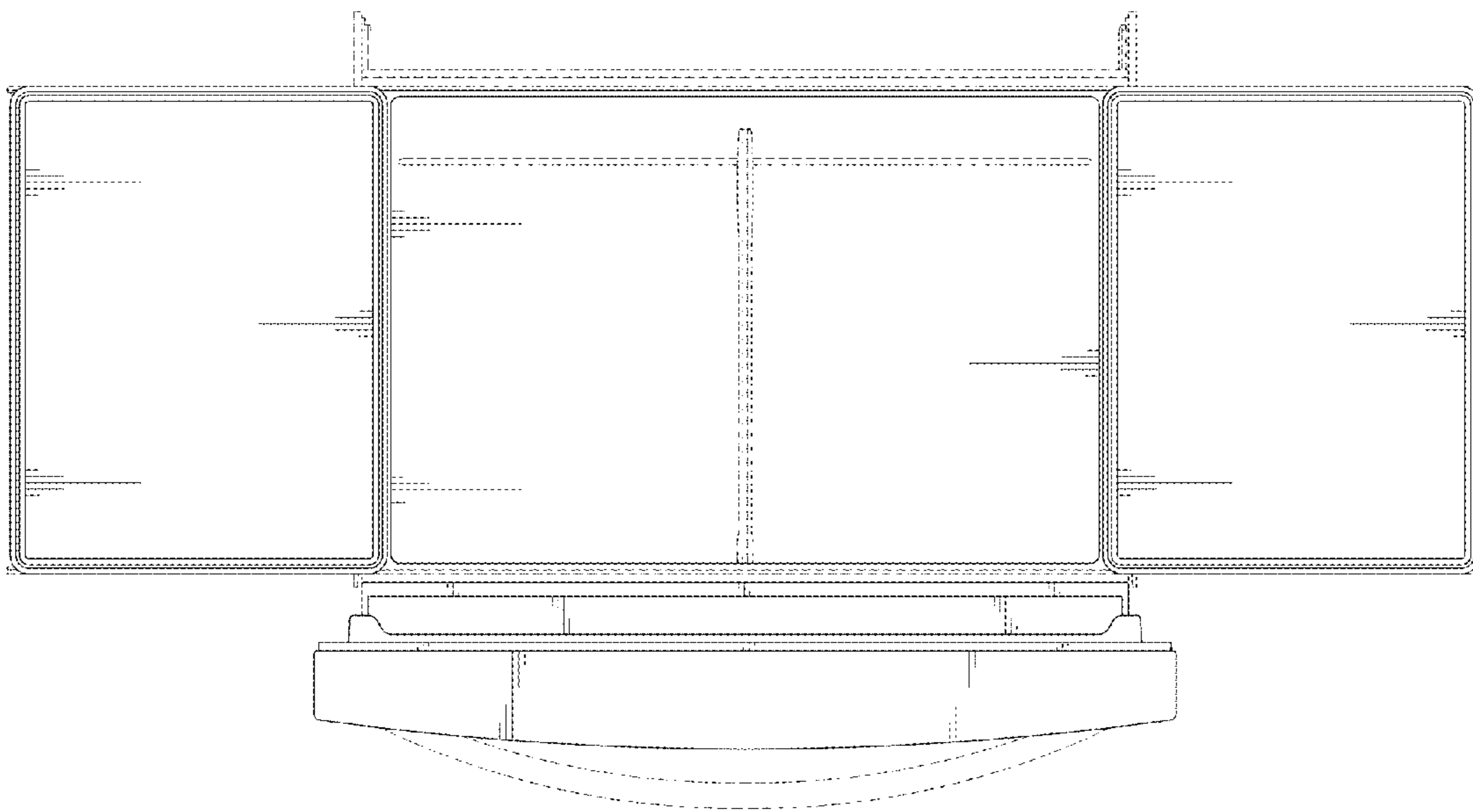


FIG. 11

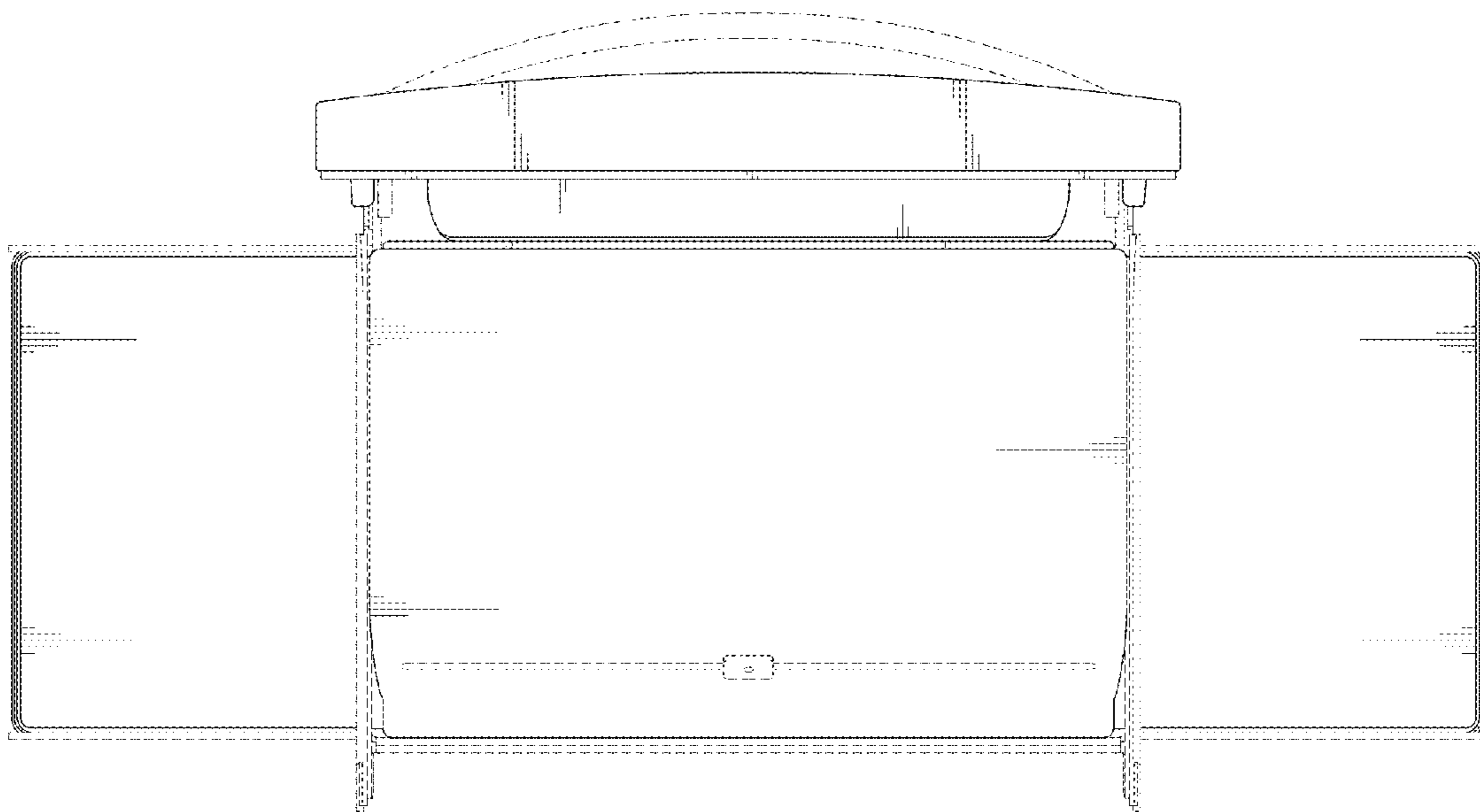


FIG. 12

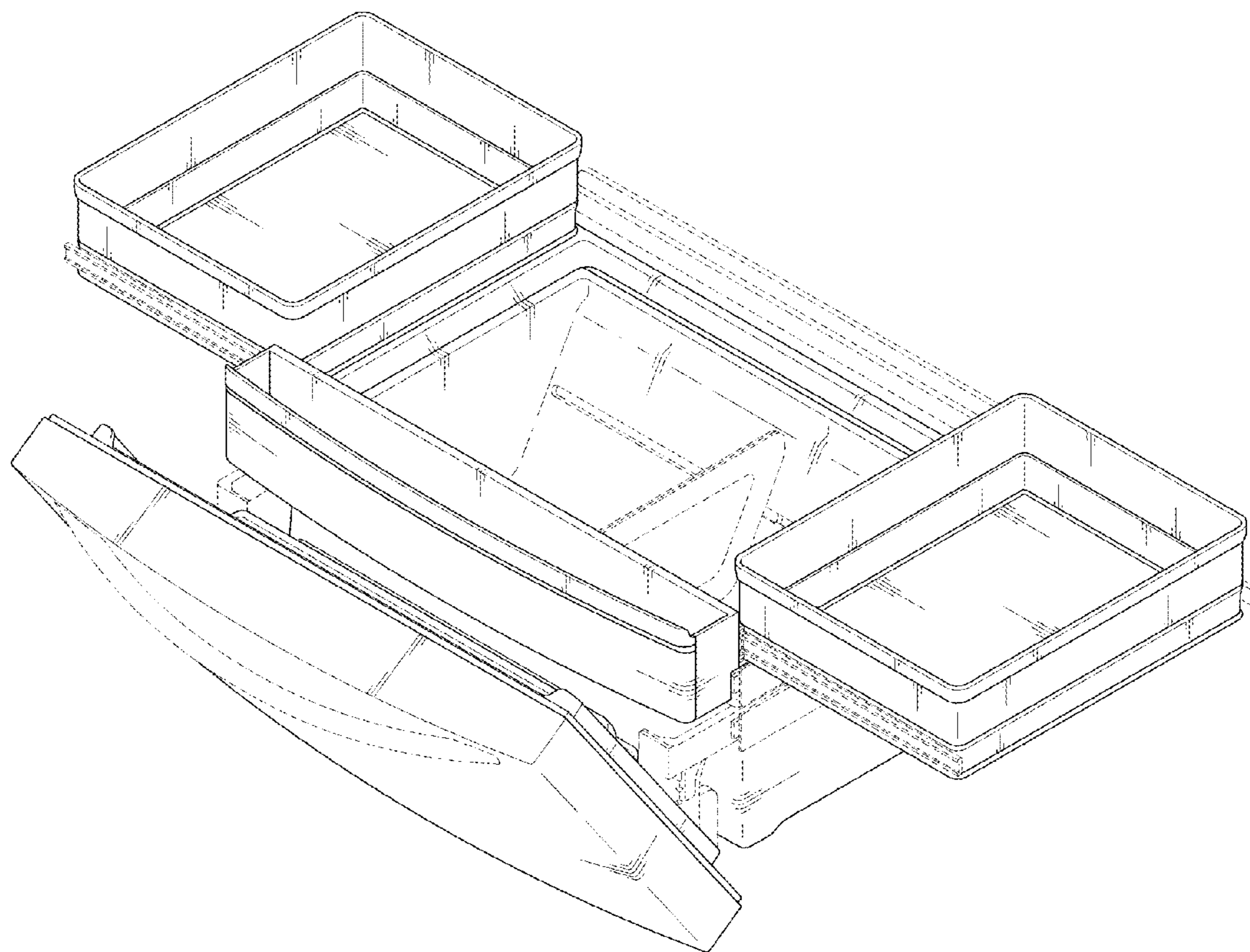


FIG. 13

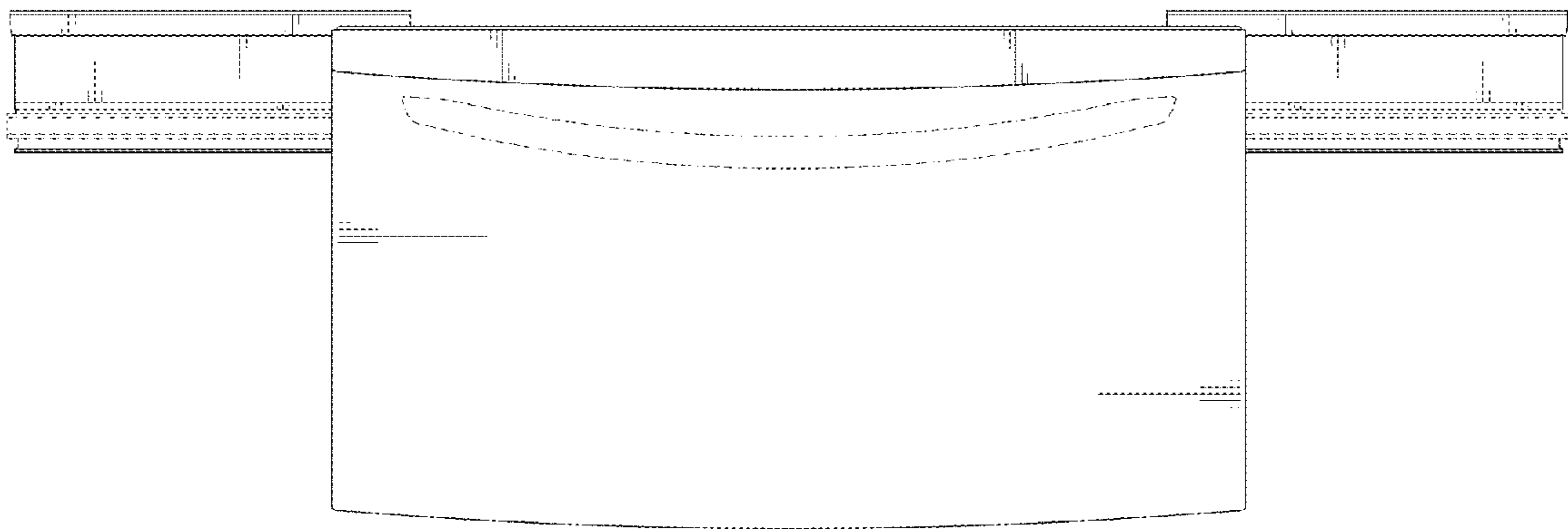


FIG. 14

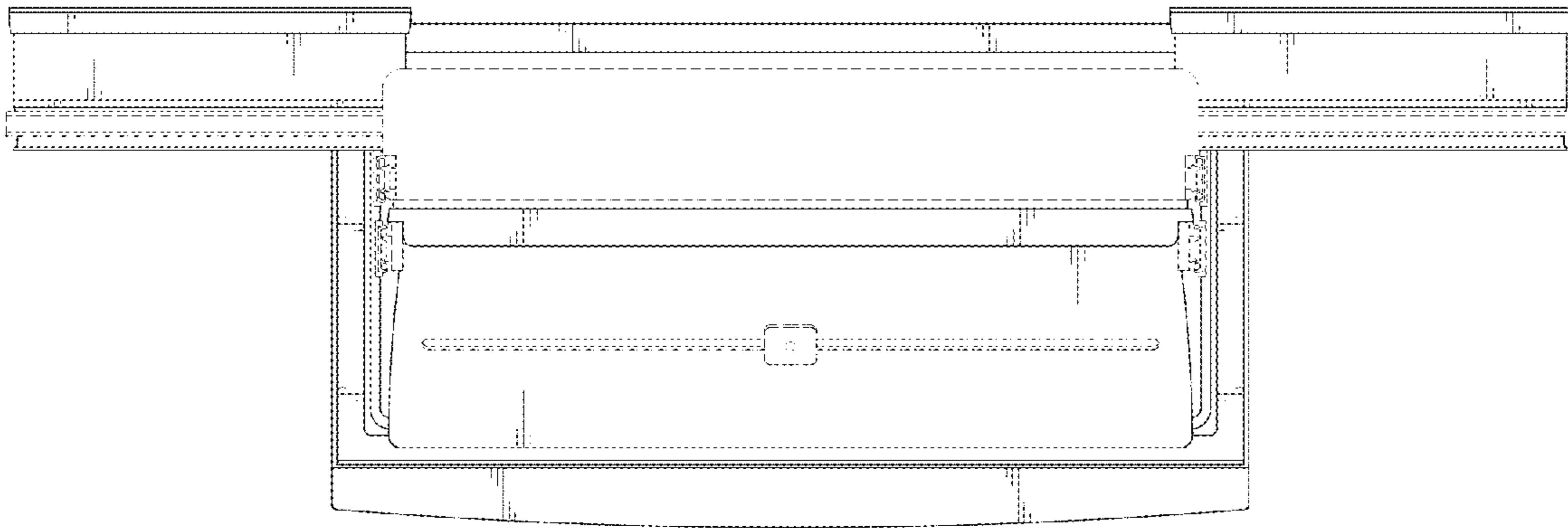


FIG. 15

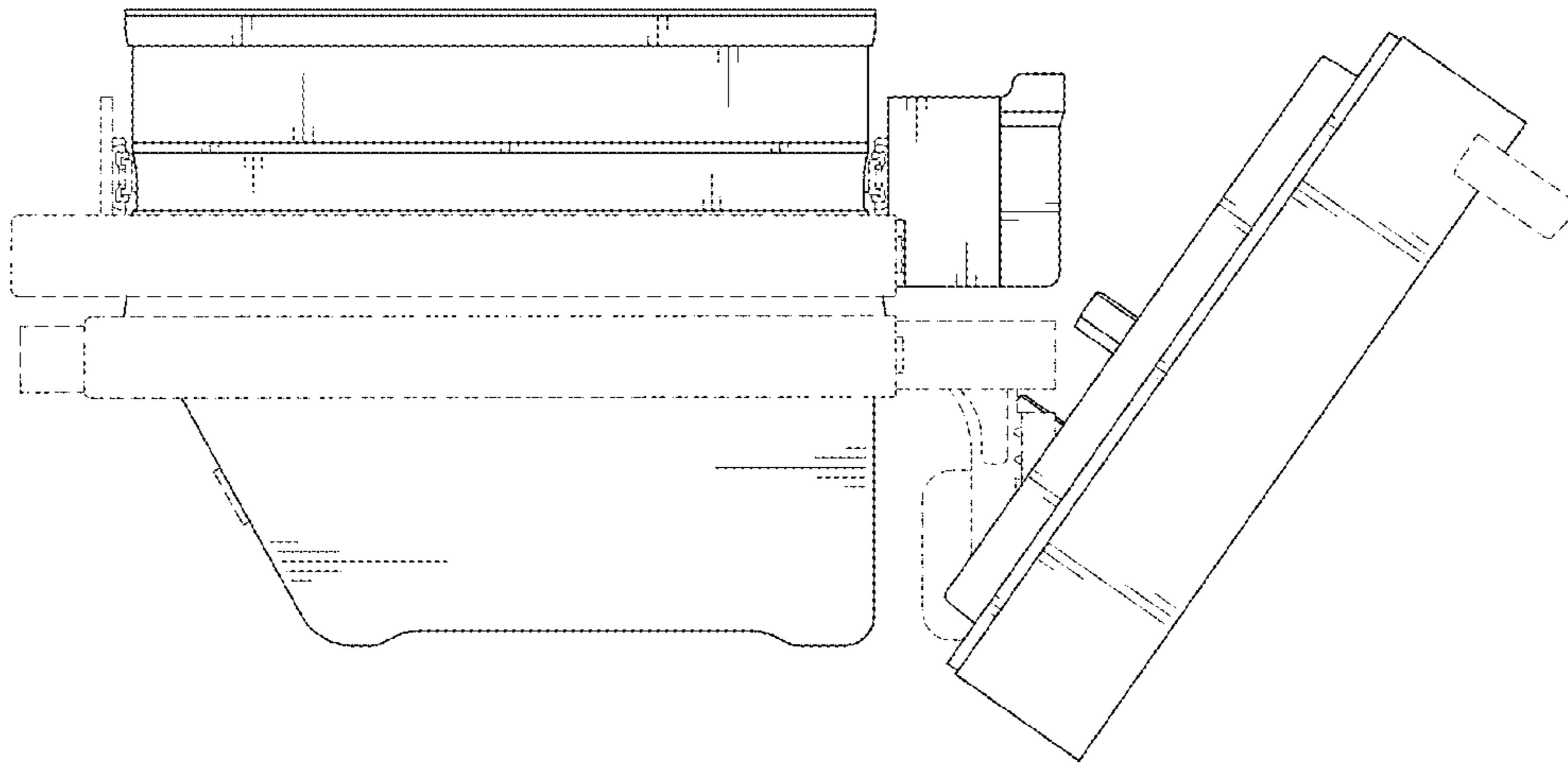




FIG. 16

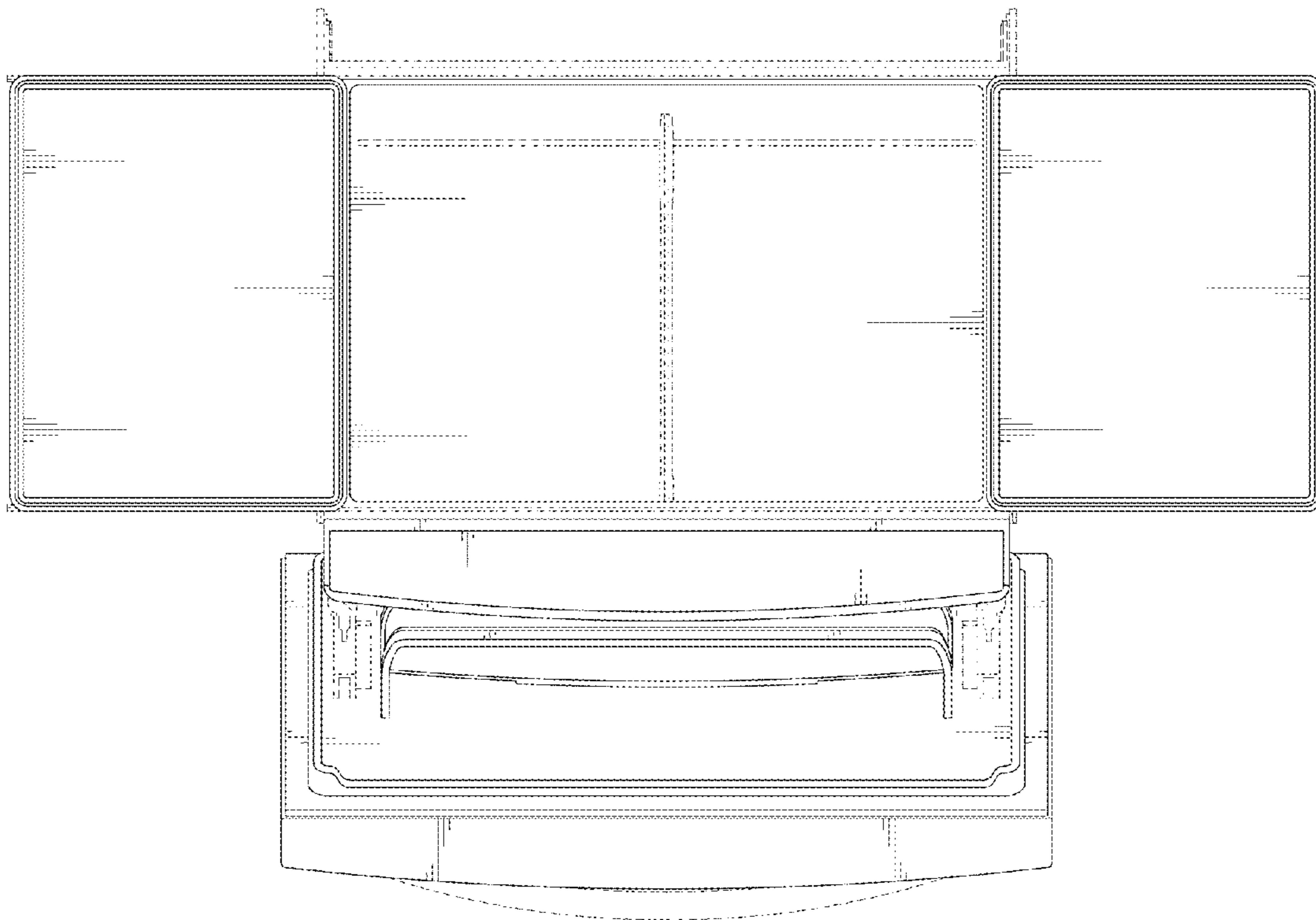


FIG. 17

