



US00D730956S

(12) **United States Design Patent**
You et al.

(10) **Patent No.:** **US D730,956 S**
(45) **Date of Patent:** **** Jun. 2, 2015**

- (54) **REFRIGERATOR DOOR**
- (71) Applicant: **LG Electronics Inc.**, Seoul (KR)
- (72) Inventors: **Myungdong You**, Incheon (KR);
Hyungki Kim, Seoul (KR); **Junyi Heo**,
Jeollabuk-do (KR)
- (73) Assignee: **LG Electronics Inc.**, Seoul (KR)
- (**) Term: **14 Years**
- (21) Appl. No.: **29/475,361**
- (22) Filed: **Dec. 3, 2013**

- (30) **Foreign Application Priority Data**
Jun. 13, 2013 (KR) 30-2013-0030703
- (51) **LOC (10) Cl.** **15-07**
- (52) **U.S. Cl.**
USPC **D15/91**
- (58) **Field of Classification Search**
USPC D15/79-91; 62/246-255, 400, 457,
62/373, 3.1, 3.6; 312/236, 116, 119,
312/138.1, 139.2, 400-408
See application file for complete search history.

- (56) **References Cited**
U.S. PATENT DOCUMENTS
D484,152 S * 12/2003 Becke D15/91
D523,878 S * 6/2006 Quinlan et al. D15/89
D572,732 S * 7/2008 Baacke et al. D15/91
D582,443 S * 12/2008 Kim et al. D15/89
D589,988 S * 4/2009 Martin et al. D15/89
D620,507 S * 7/2010 Baacke et al. D15/91

* cited by examiner

Primary Examiner — Ian Simmons
Assistant Examiner — Khawaja Anwar
(74) *Attorney, Agent, or Firm* — Morgan, Lewis & Bockius
LLP

(57) **CLAIM**
The ornamental design for a refrigerator door, as shown and described.

DESCRIPTION

FIG. 1 is a perspective view of a refrigerator door showing our new design;
FIG. 2 is a front view thereof;
FIG. 3 is a rear view thereof;
FIG. 4 is a left side view thereof;
FIG. 5 is a right side view thereof;
FIG. 6 is a top plan view thereof;
FIG. 7 is a bottom plan view thereof;
FIG. 8 is a rear perspective view thereof;
FIG. 9 is a perspective view thereof, showing the front cover of can dispenser in a closed position;
FIG. 10 is a perspective view thereof, showing the rear cover of an dispenser in an open position;
FIG. 11 is a cross-sectional view taken along line 11-11 of FIG. 2;
FIG. 12 is a reference view thereof, shown in an in-use condition; and,
FIG. 13 is a cross-sectional view taken along line 13-13 of FIG. 2, shown in an in-use condition.
The broken lines in the drawings show unclaimed subject matter only and form no part of the claimed design.

1 Claim, 12 Drawing Sheets

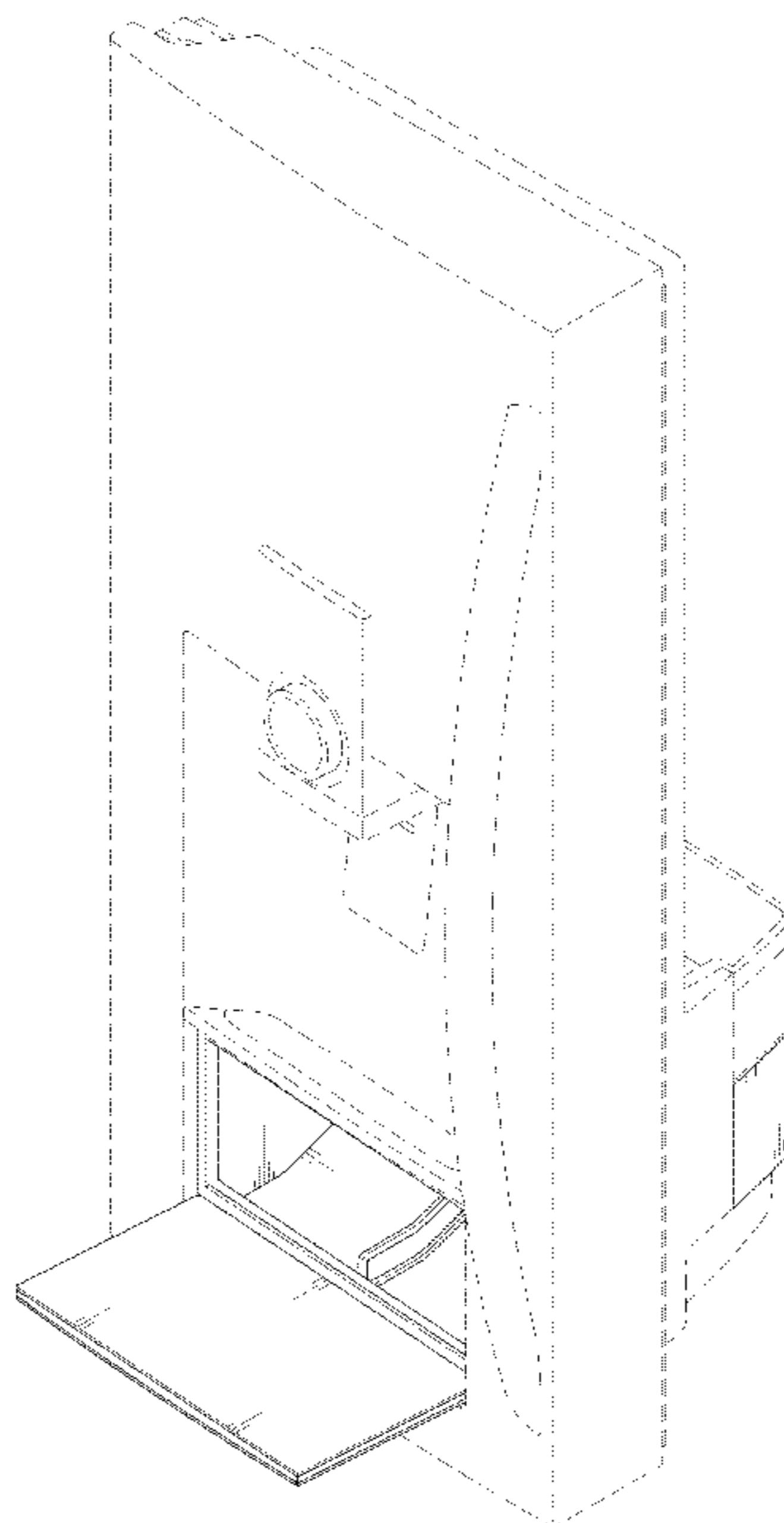


FIG. 1

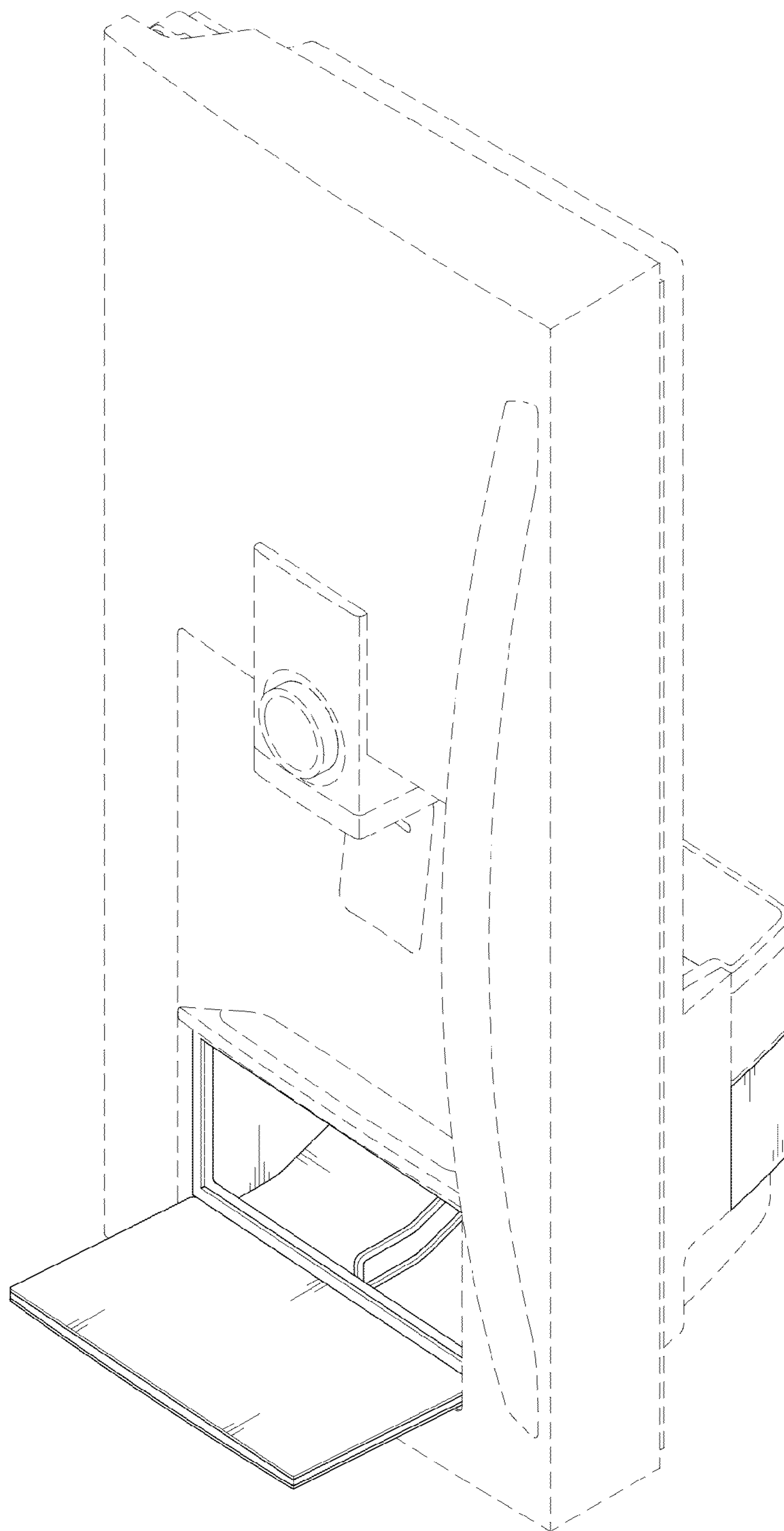


FIG. 2

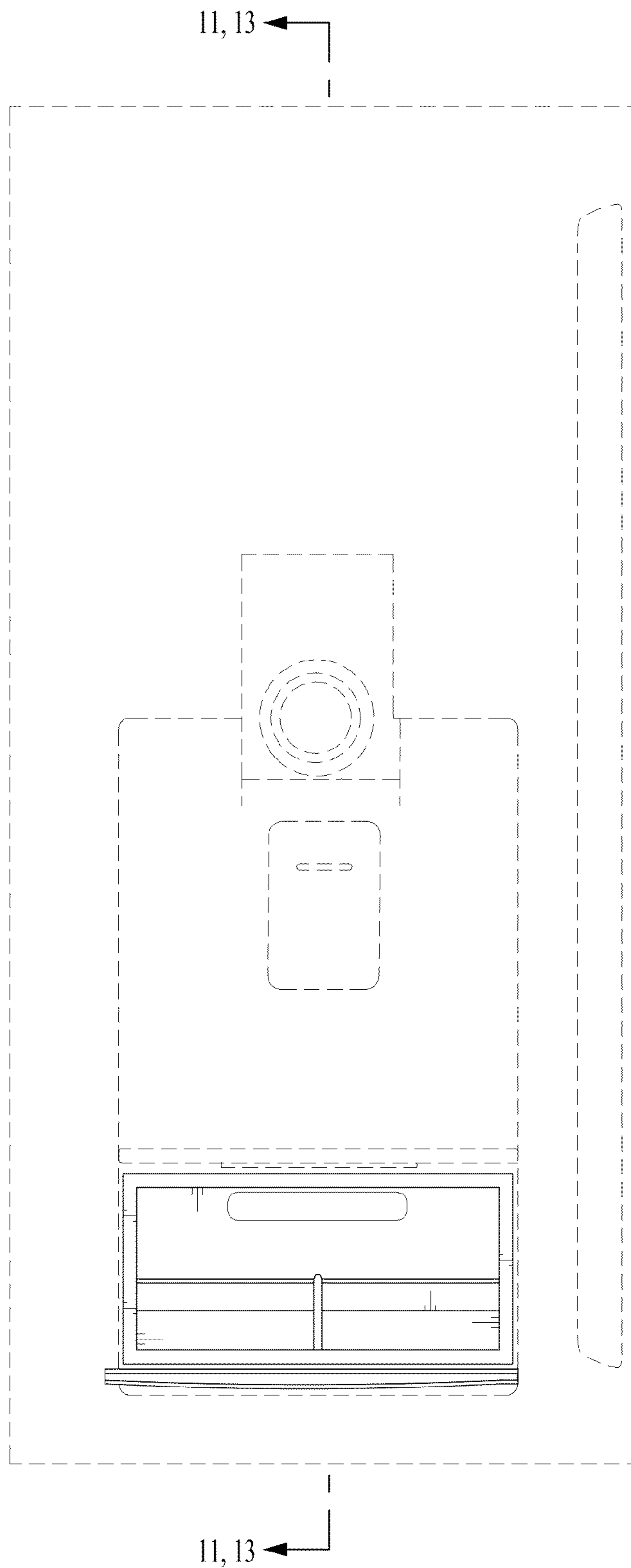


FIG. 3

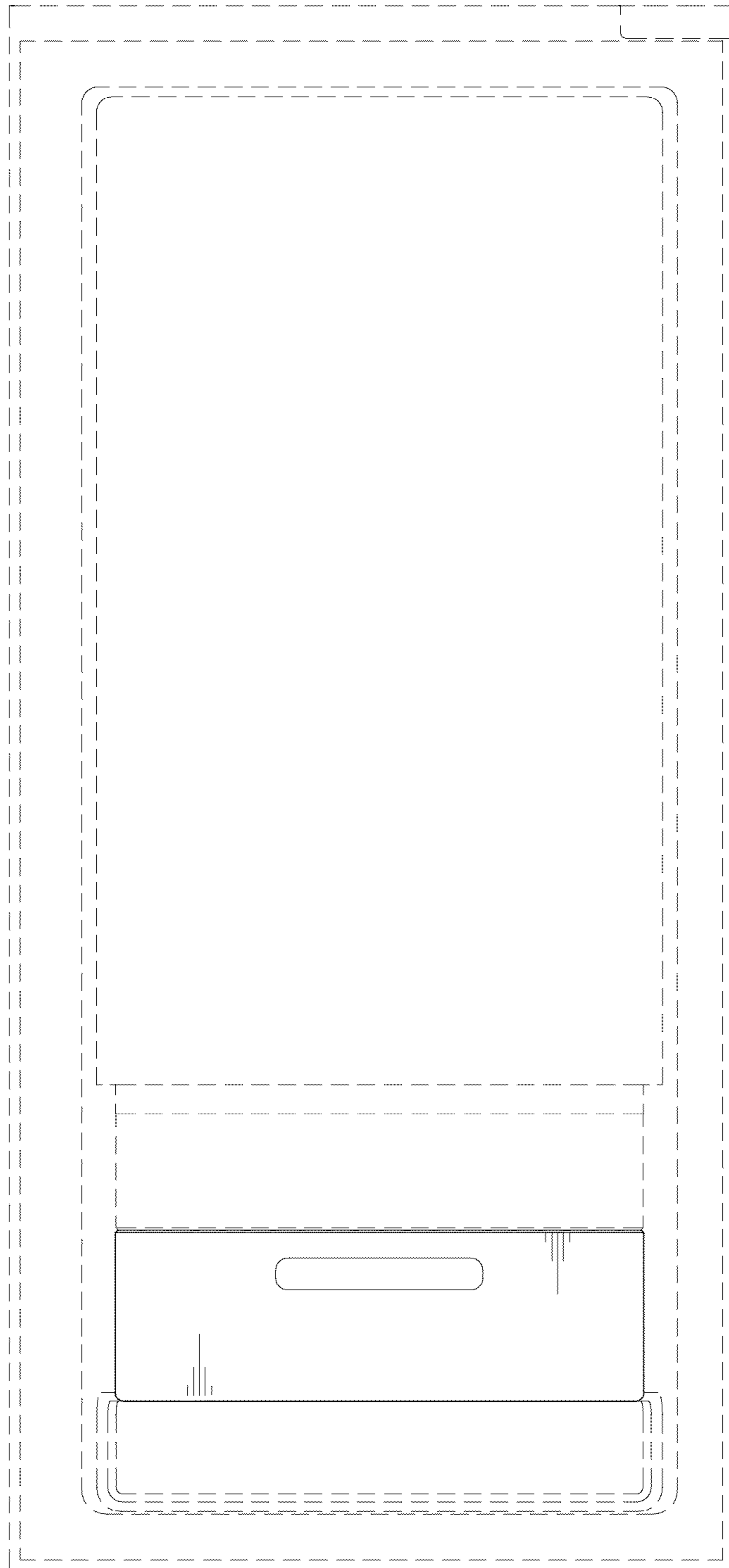


FIG. 4

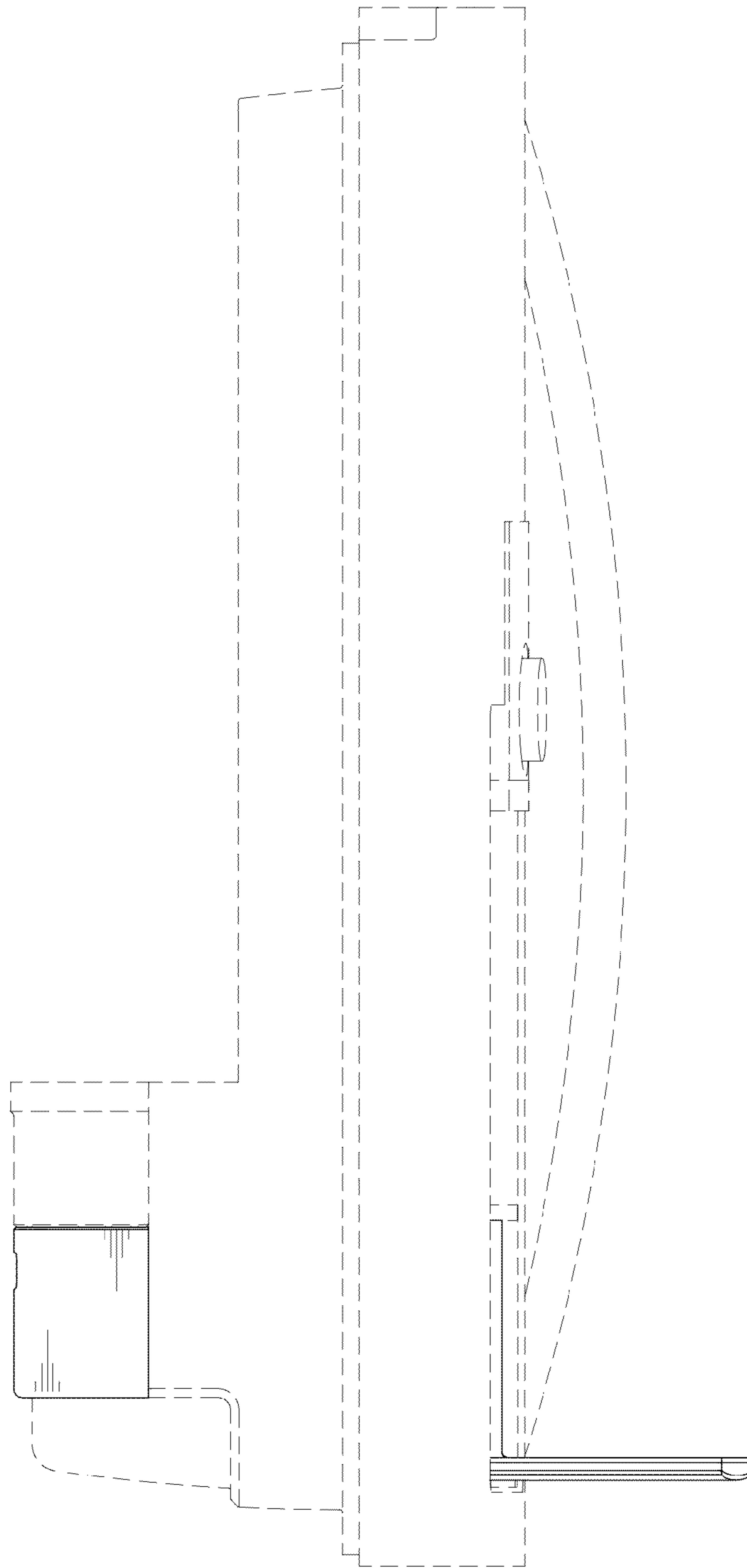


FIG. 5

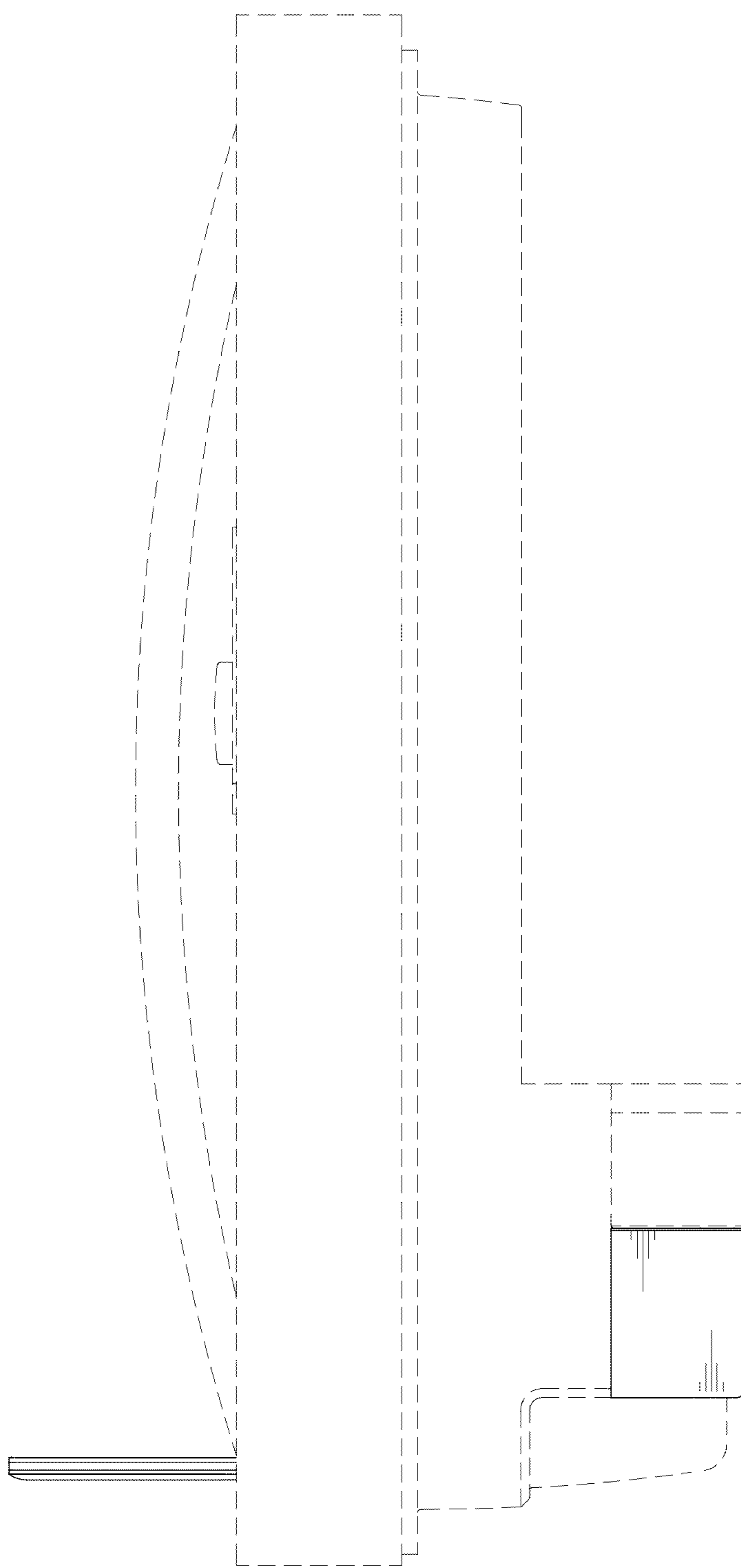


FIG. 6

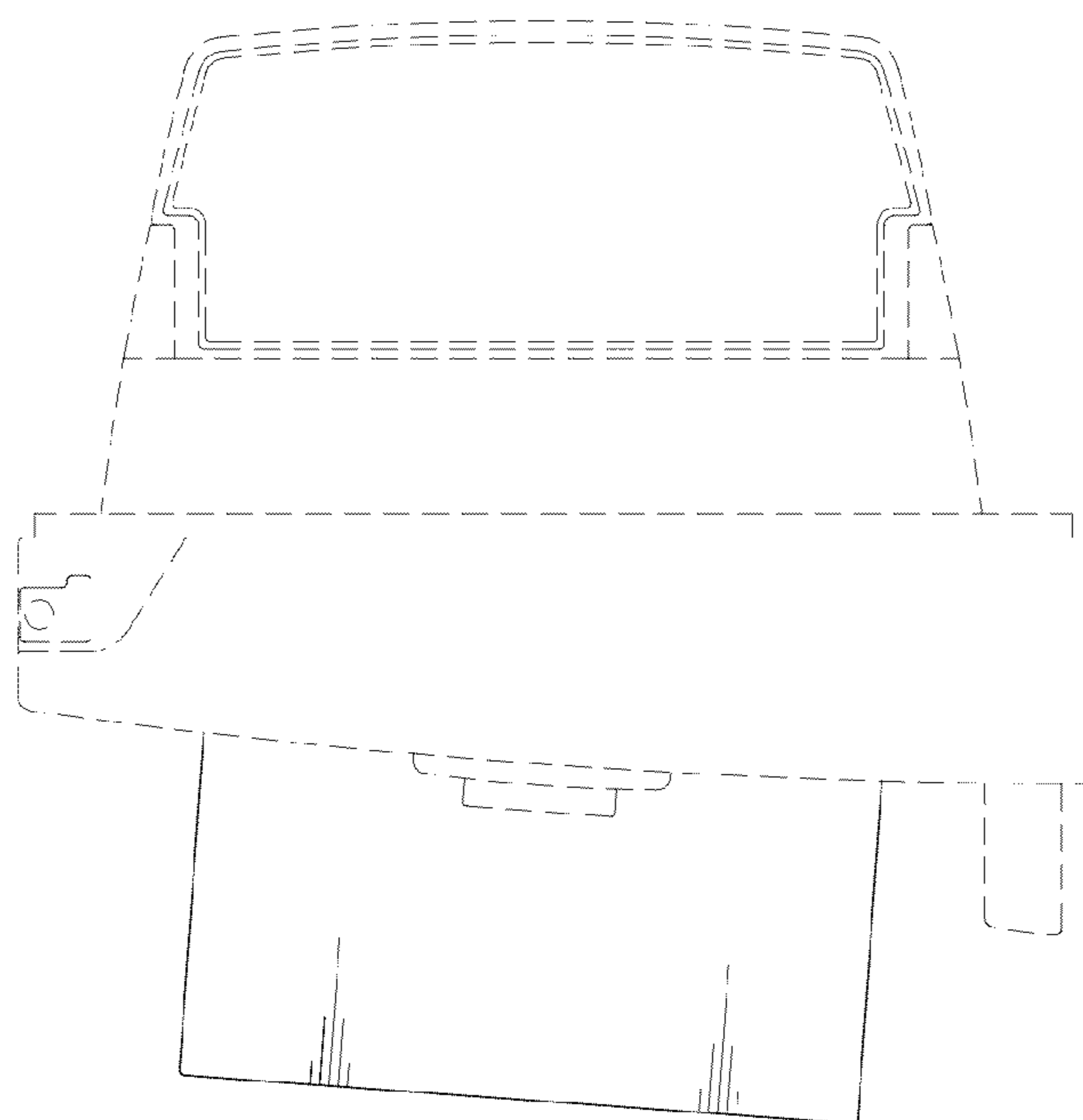


FIG. 7

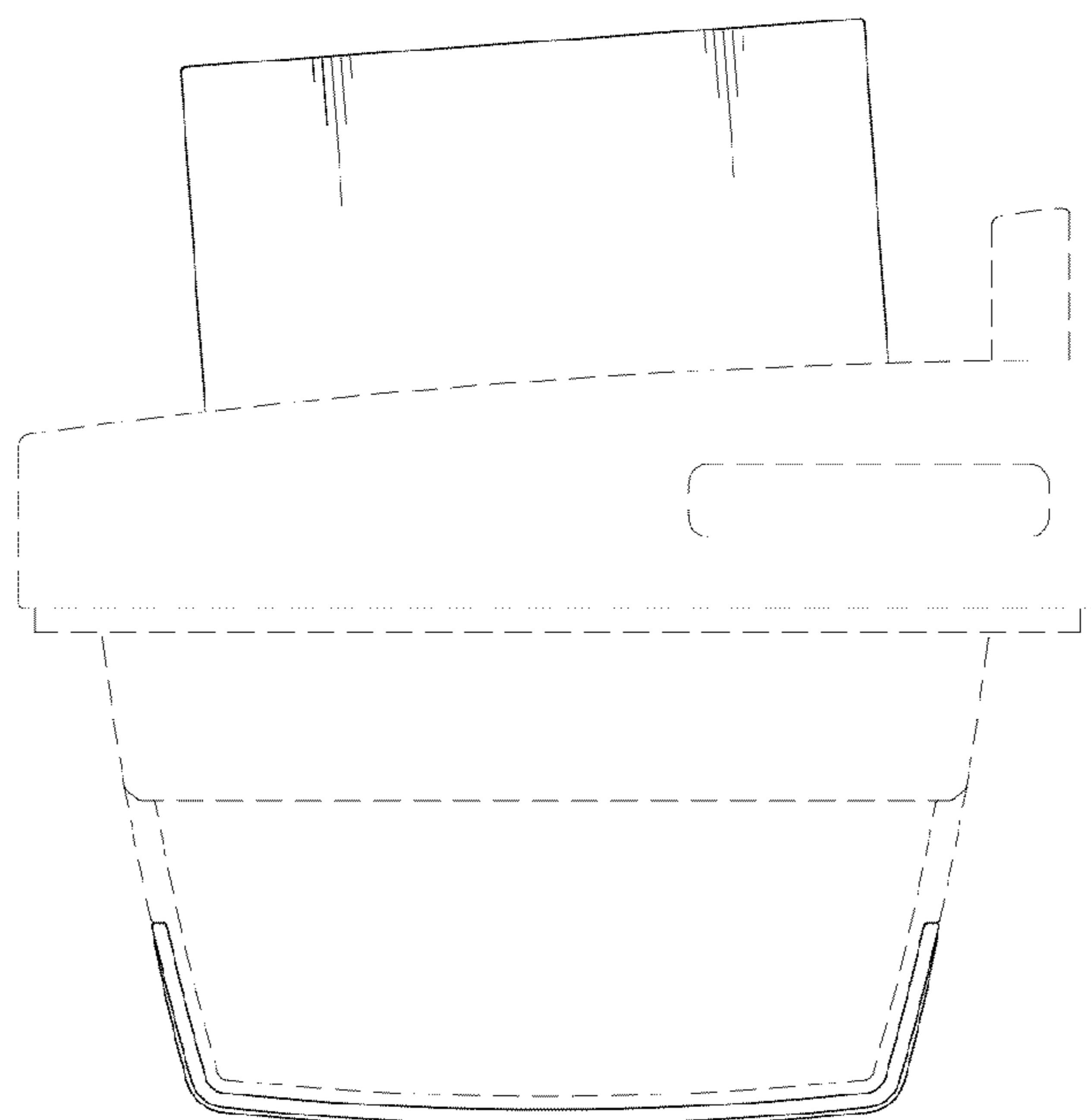


FIG. 8

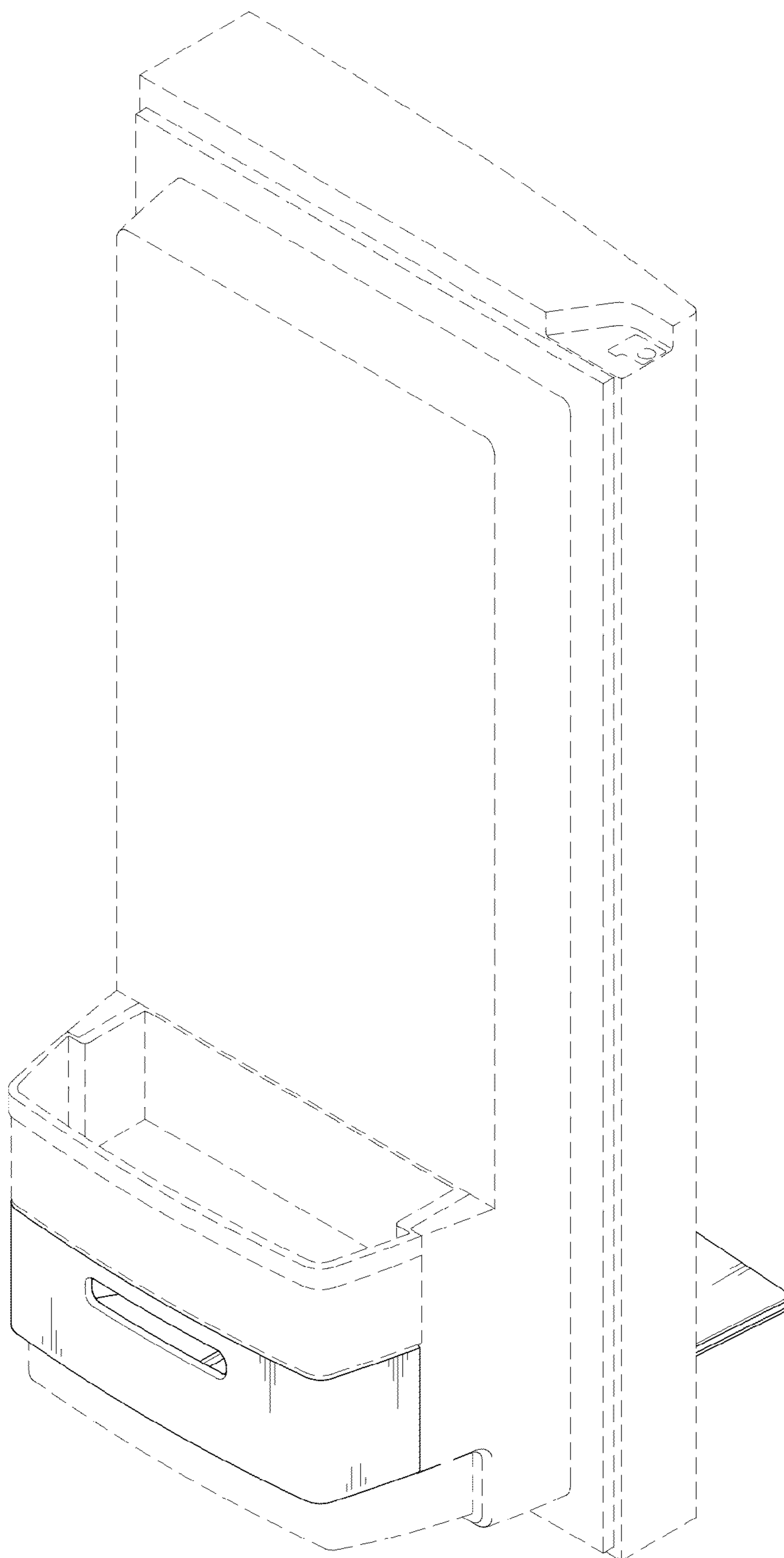


FIG. 9

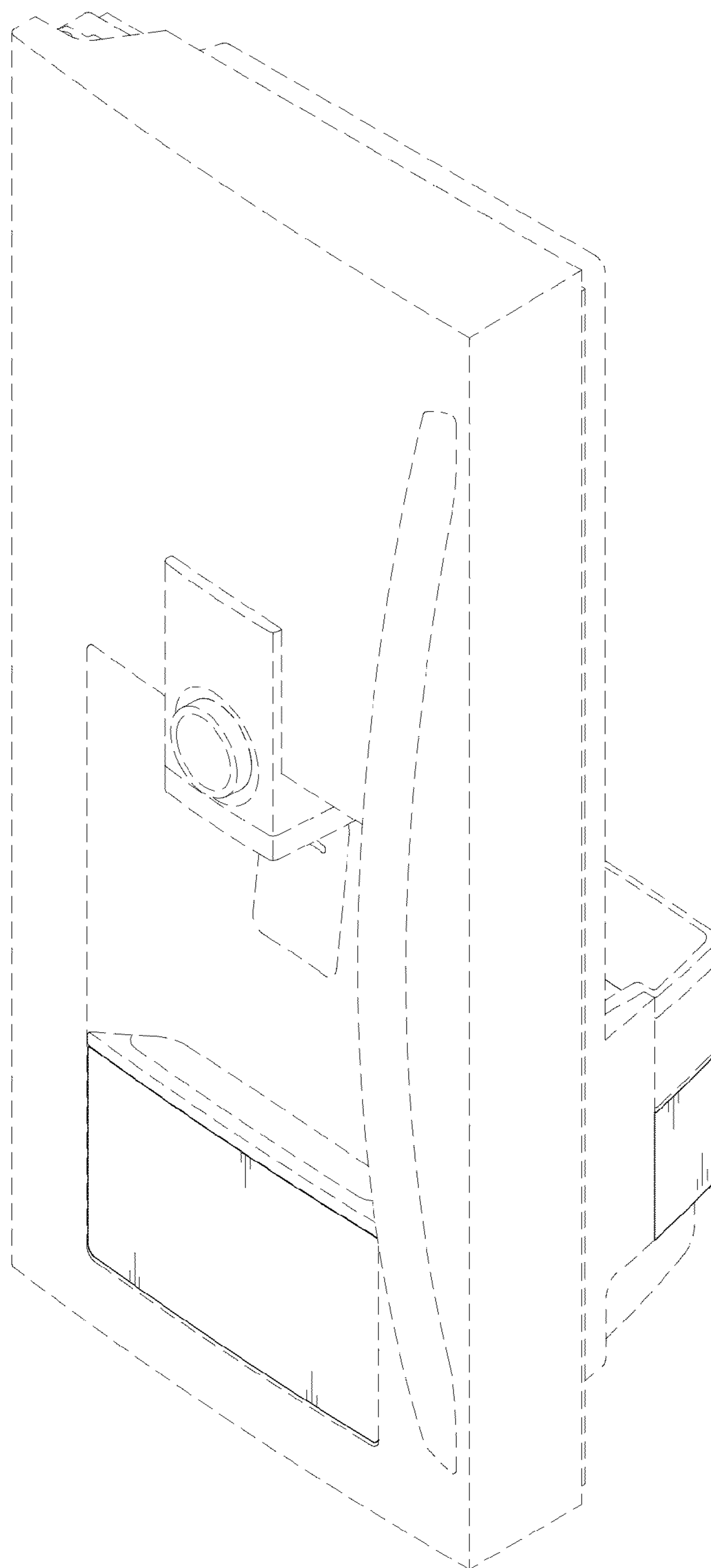


FIG. 10

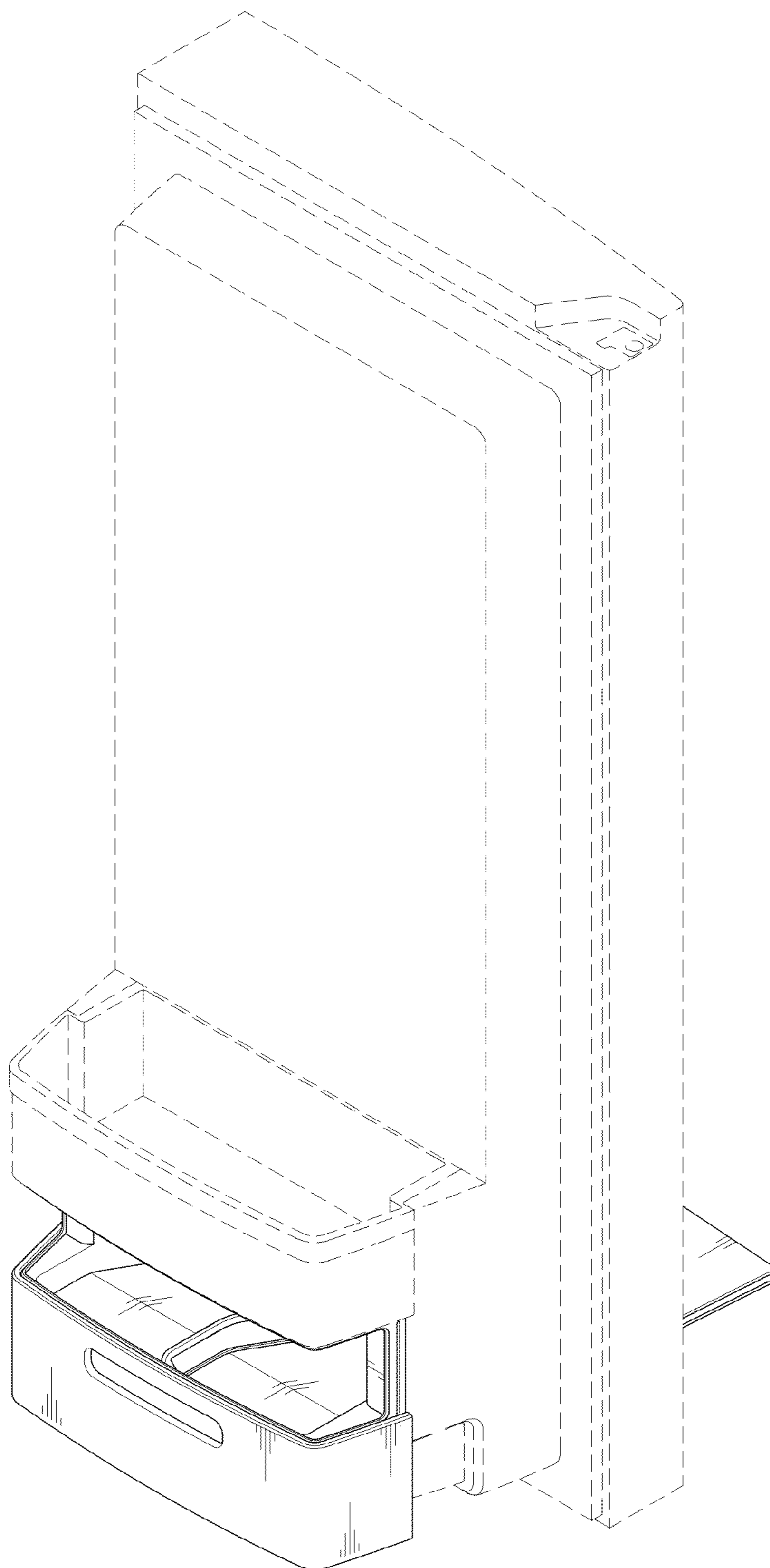


FIG. 11

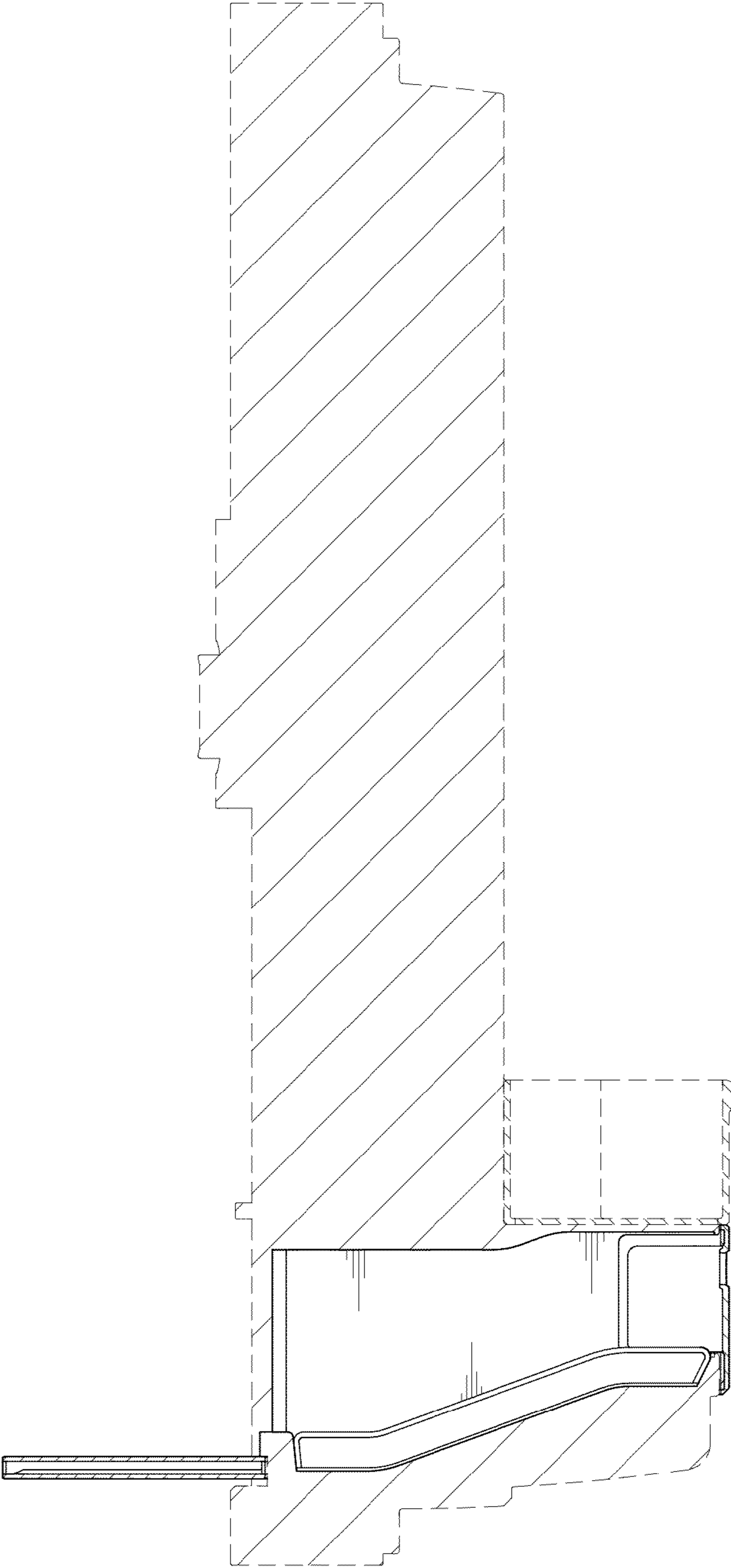


FIG. 12

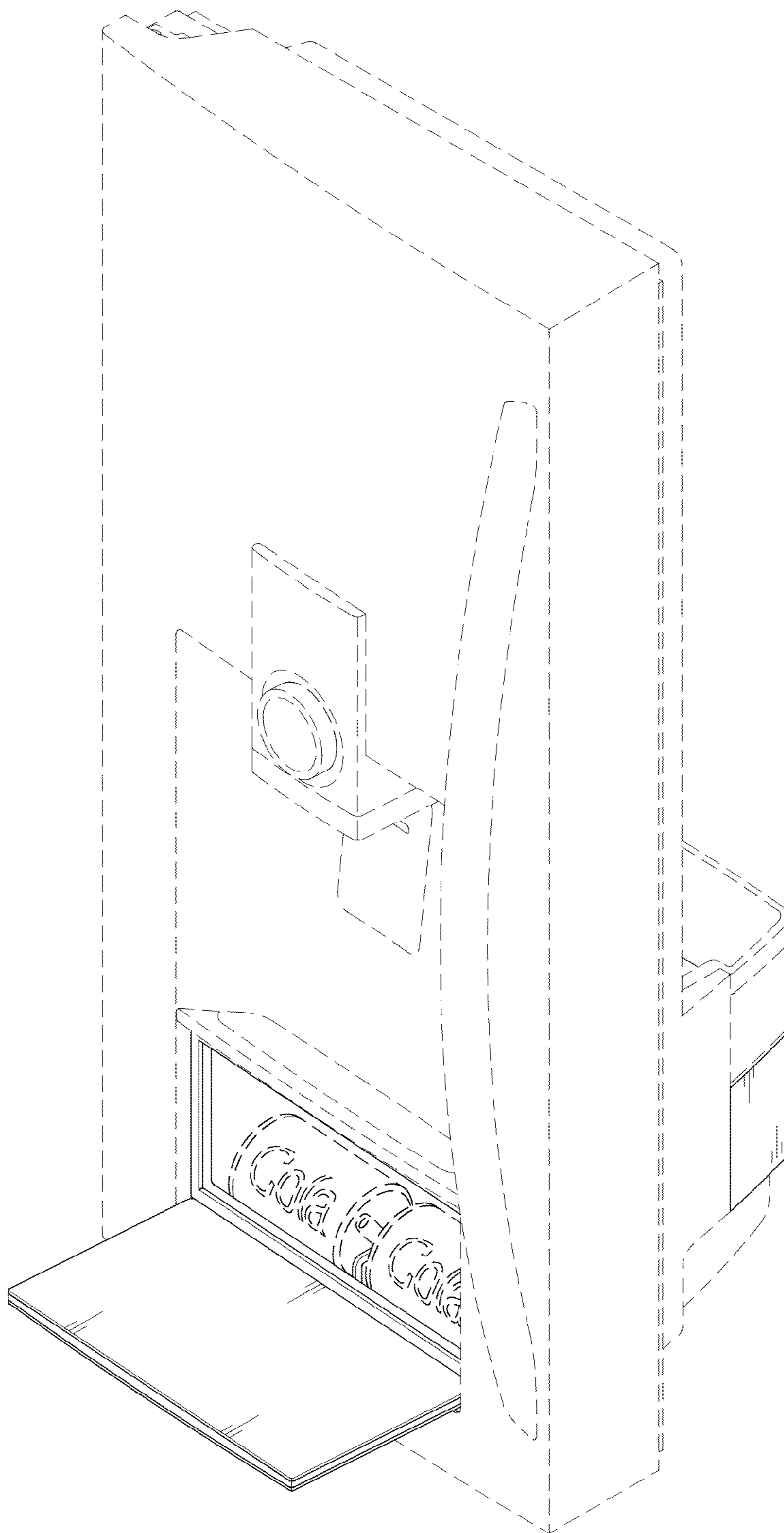


FIG. 13

