



US00D730954S

(12) **United States Design Patent**
Choi et al.

(10) **Patent No.:** **US D730,954 S**
(45) **Date of Patent:** **** Jun. 2, 2015**

(54) **DRAWER FOR REFRIGERATOR**

(71) Applicant: **LG Electronics Inc.**, Seoul (KR)
(72) Inventors: **Kyukwan Choi**, Gyeonggi-do (KR);
Eunjoo Lee, Gyeonggi-do (KR);
Jungyeon Hwang, Gyeonggi-do (KR)
(73) Assignee: **LG Electronics Inc.**, Seoul (KR)

(**) Term: **14 Years**
(21) Appl. No.: **29/473,775**
(22) Filed: **Nov. 26, 2013**

(30) **Foreign Application Priority Data**
May 28, 2013 (KR) 30-2013-0027718
(51) **LOC (10) Cl.** **15-07**
(52) **U.S. Cl.**
USPC **D15/89**
(58) **Field of Classification Search**
USPC D15/79-91
CPC F25B 21/02; F25B 2321/02; F25B 1/005;
F25B 2321/0252; F25B 1/00; F25B 1/10;
F25B 21/04; F25B 2339/047; F25B 5/02;
F25B 7/00; F25B 13/00; F25B 1/053; F25B
2309/06; F25B 2321/021; F25B 2321/023;
F25D 23/028; F25D 23/02; F25D 25/025;
F25D 23/00; F25D 2323/021; F25D 11/00;
F25D 2323/024; F25D 23/04; F25D 29/00;
F25D 25/02; F25D 25/024; F25D 27/005;
F25D 23/12; F25D 29/005; F25D 17/042;
F25D 2325/021

See application file for complete search history.

(56) **References Cited**

U.S. PATENT DOCUMENTS

D229,867 S * 1/1974 Shanks D15/89
D286,730 S * 11/1986 Tzifkansky et al. D15/89

(Continued)

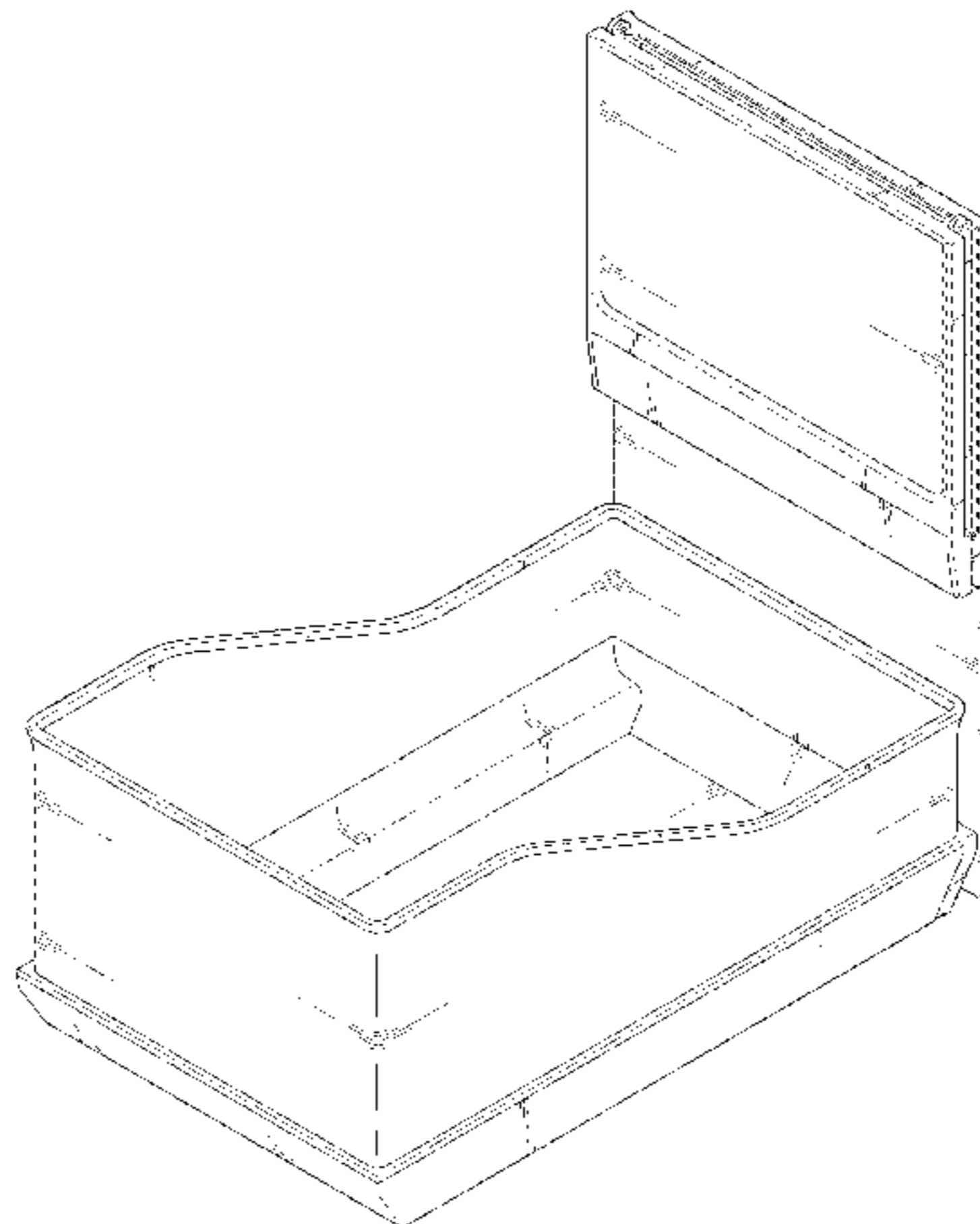
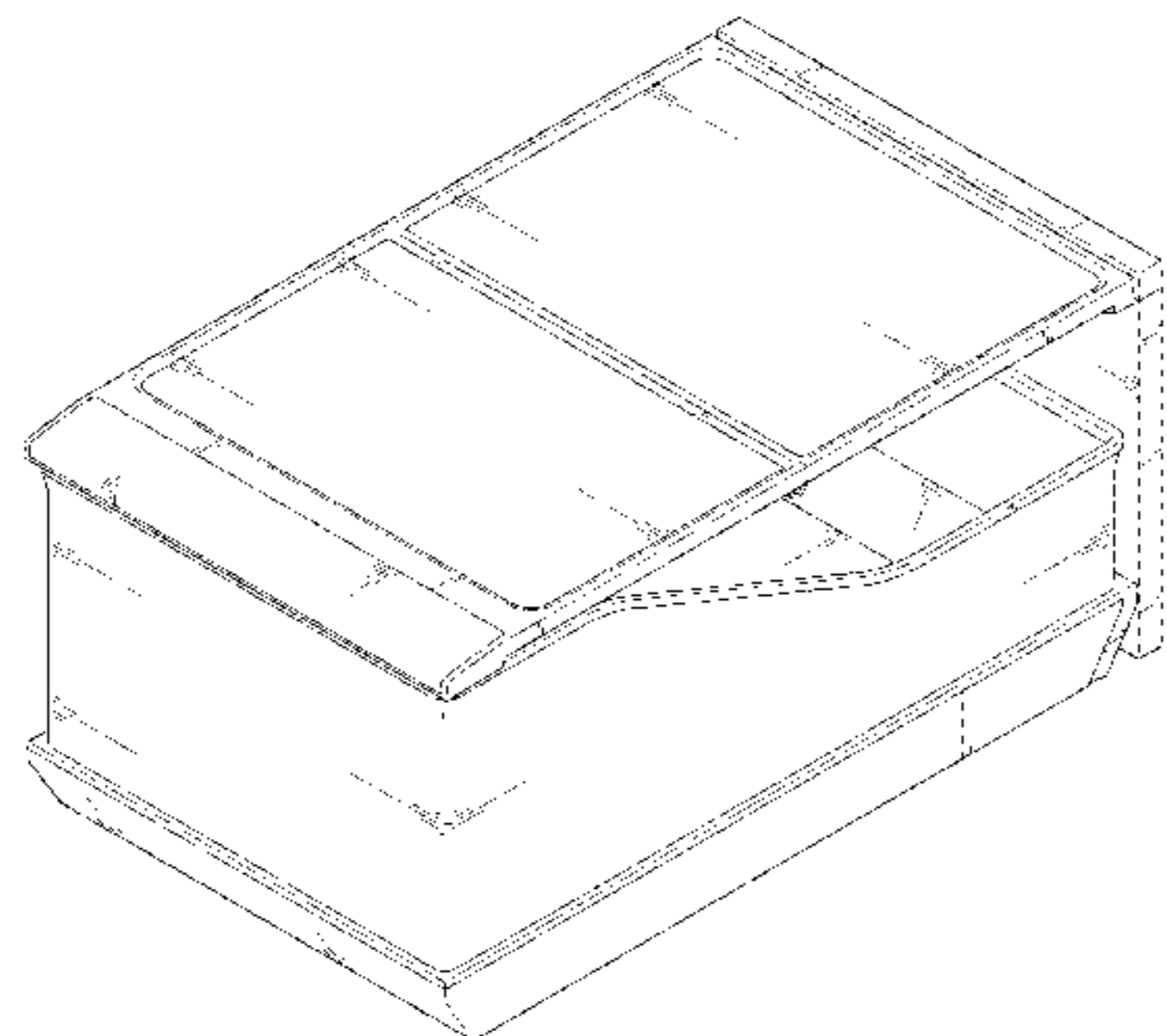
Primary Examiner — Daniel Bui
Assistant Examiner — Khawaja Anwar
(74) *Attorney, Agent, or Firm* — Morgan, Lewis & Bockius
LLP

(57) **CLAIM**
The ornamental design for a drawer for refrigerator, as shown
and described.

DESCRIPTION

FIG. 1 is a perspective view of a drawer for refrigerator
showing our new design;
FIG. 2 is a front elevation view thereof;
FIG. 3 is a rear elevation view thereof;
FIG. 4 is a left side elevation view thereof; the right side
elevation view is a mirror image thereto;
FIG. 5 is a top plan view thereof;
FIG. 6 is a bottom plan view thereof;
FIG. 7 is a perspective view thereof, in use condition;
FIG. 8 is a perspective view thereof showing that the middle
portion has been removed;
FIG. 9 is a perspective view thereof showing the state in
which the upper part has been opened and folded;
FIG. 10 is a front elevation view thereof;
FIG. 11 is a rear elevation view thereof;
FIG. 12 is a left side elevation view thereof; the right side is a
mirror image thereto;
FIG. 13 is a top plan view thereof;
FIG. 14 is a perspective view thereof, showing the state in
which middle portion has been reversed and the upper part
has been opened and then folded;
FIG. 15 is a front elevation view thereof;
FIG. 16 is a left side elevation view thereof, the right side
elevation view being a mirror image thereto;
FIG. 17 is a perspective view thereof, showing the state in
which the middle portion has been reversed and the upper part
has been closed;
FIG. 18 is a front elevation view thereof; and,
FIG. 19 is a left elevation view thereof, and the right side
elevation view is a mirror image thereto.
The broken line in the figure drawings represents unclaimed
environment only and forms no part of the claimed design.

1 Claim, 17 Drawing Sheets



US D730,954 S

Page 2

(56)

References Cited

U.S. PATENT DOCUMENTS

D585,464 S * 1/2009 Miyabayashi et al. D15/83
D589,989 S * 4/2009 Crookshanks et al. D15/89

D676,468 S * 2/2013 Lee et al. D15/89
D720,783 S * 1/2015 Yang et al. D15/90
D724,118 S * 3/2015 Kim et al. D15/89

* cited by examiner

FIG. 1

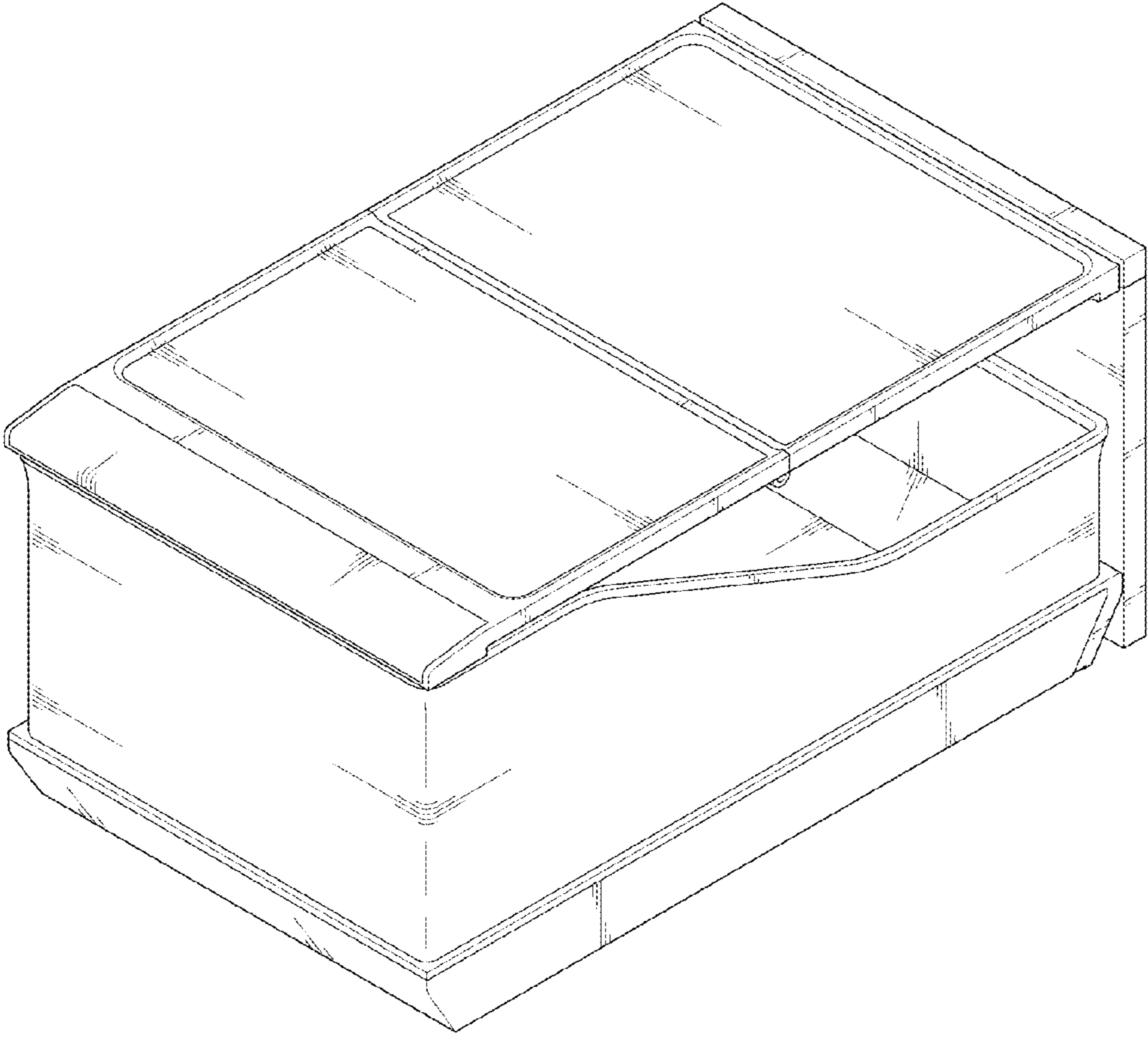


FIG. 2

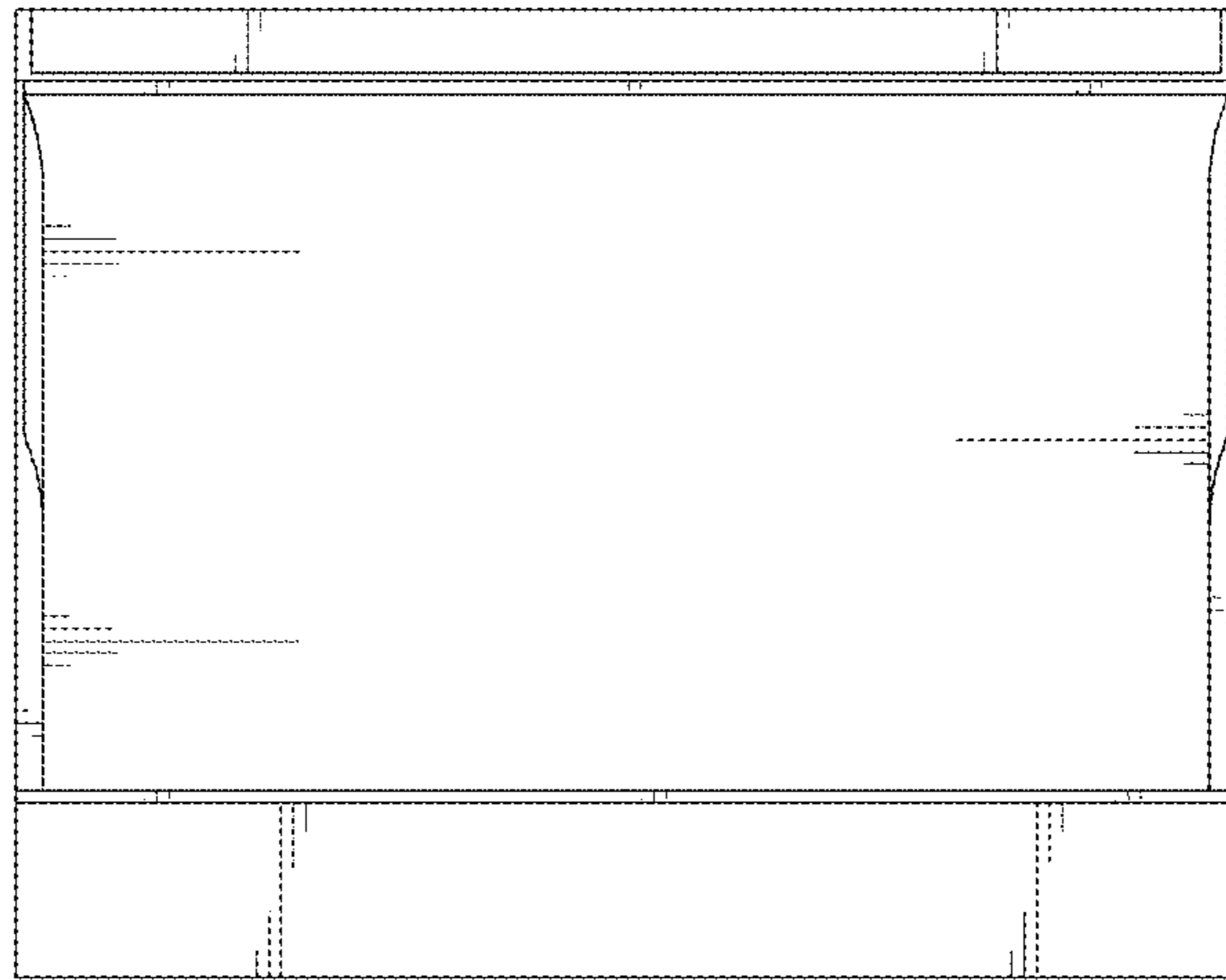


FIG. 3

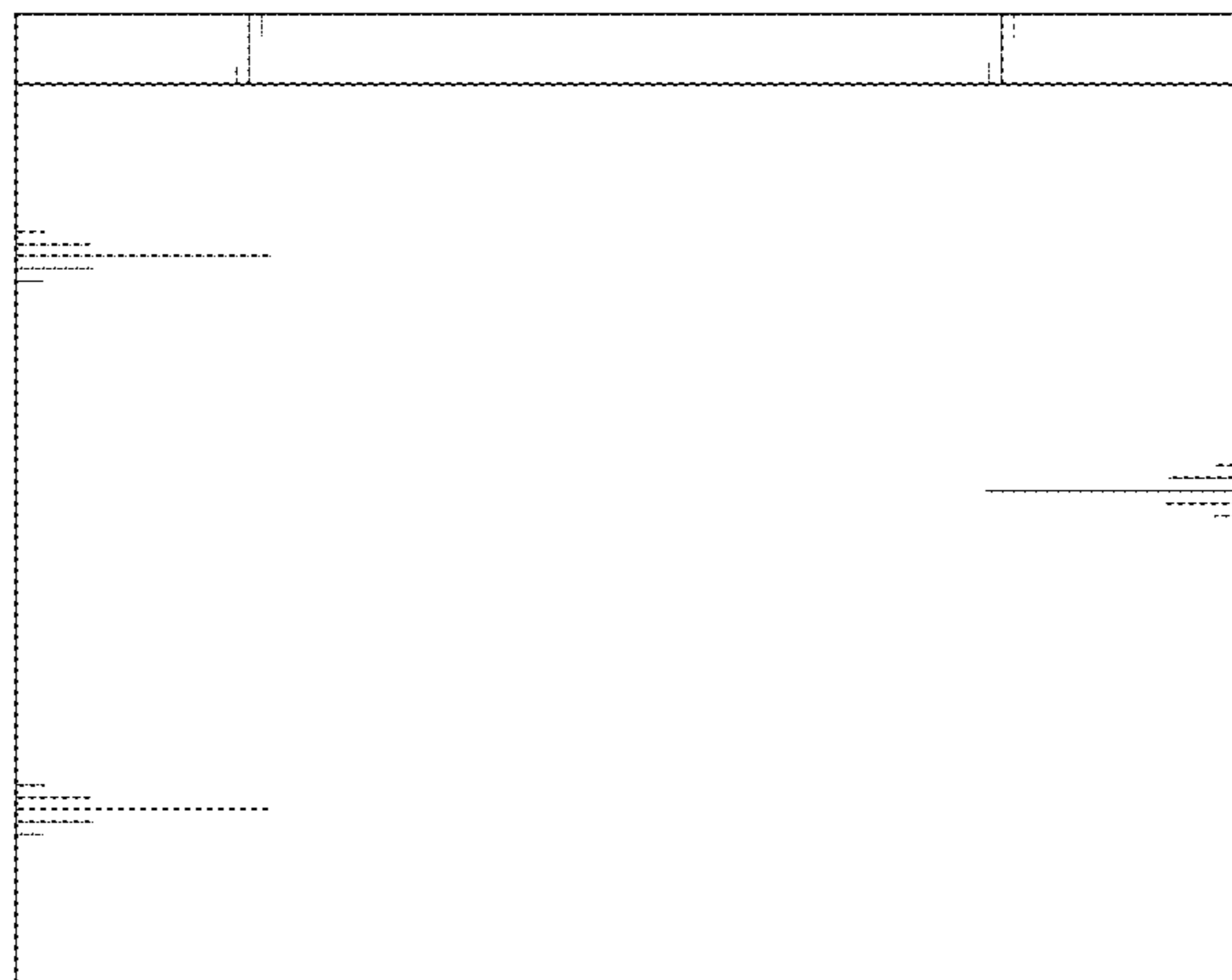


FIG. 4

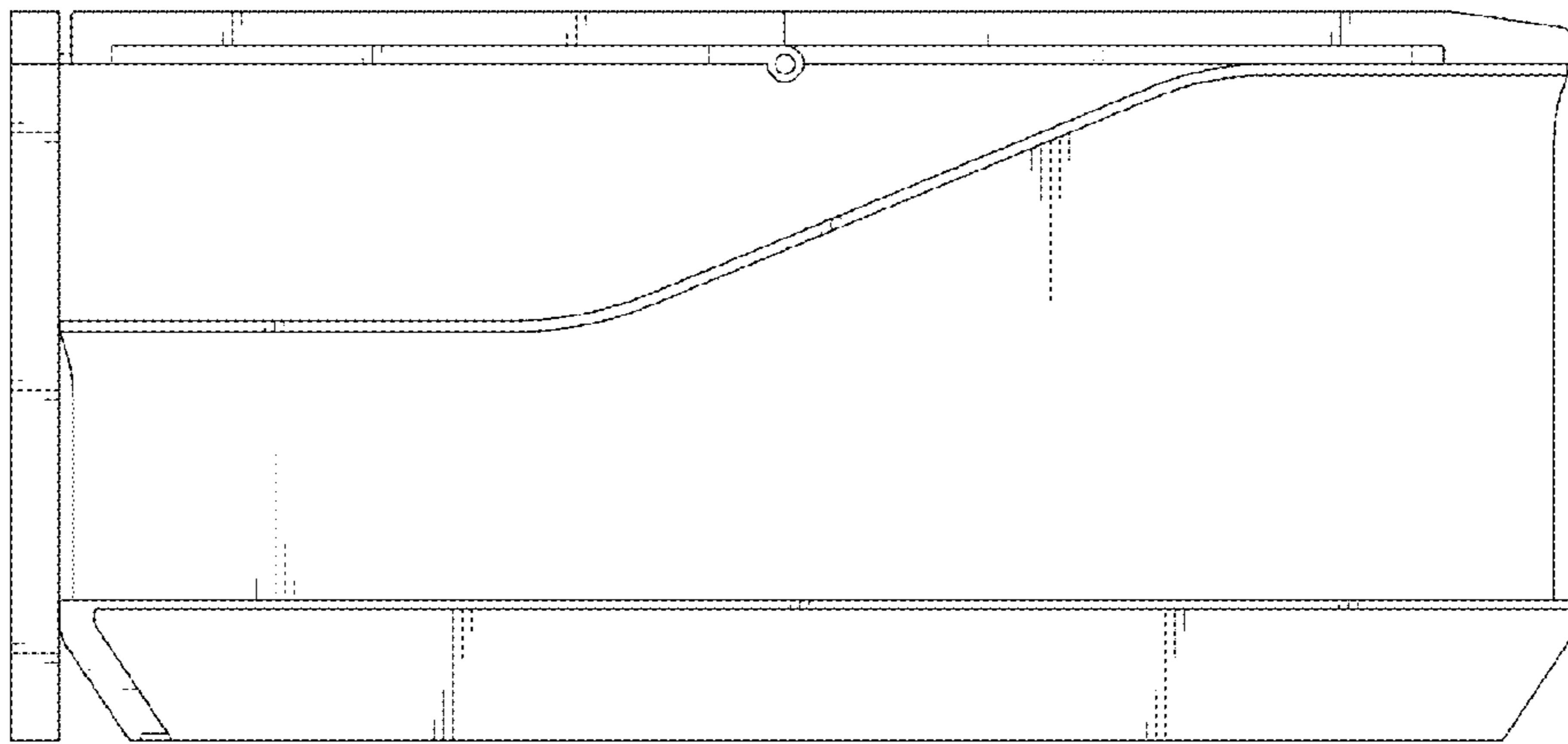


FIG. 5

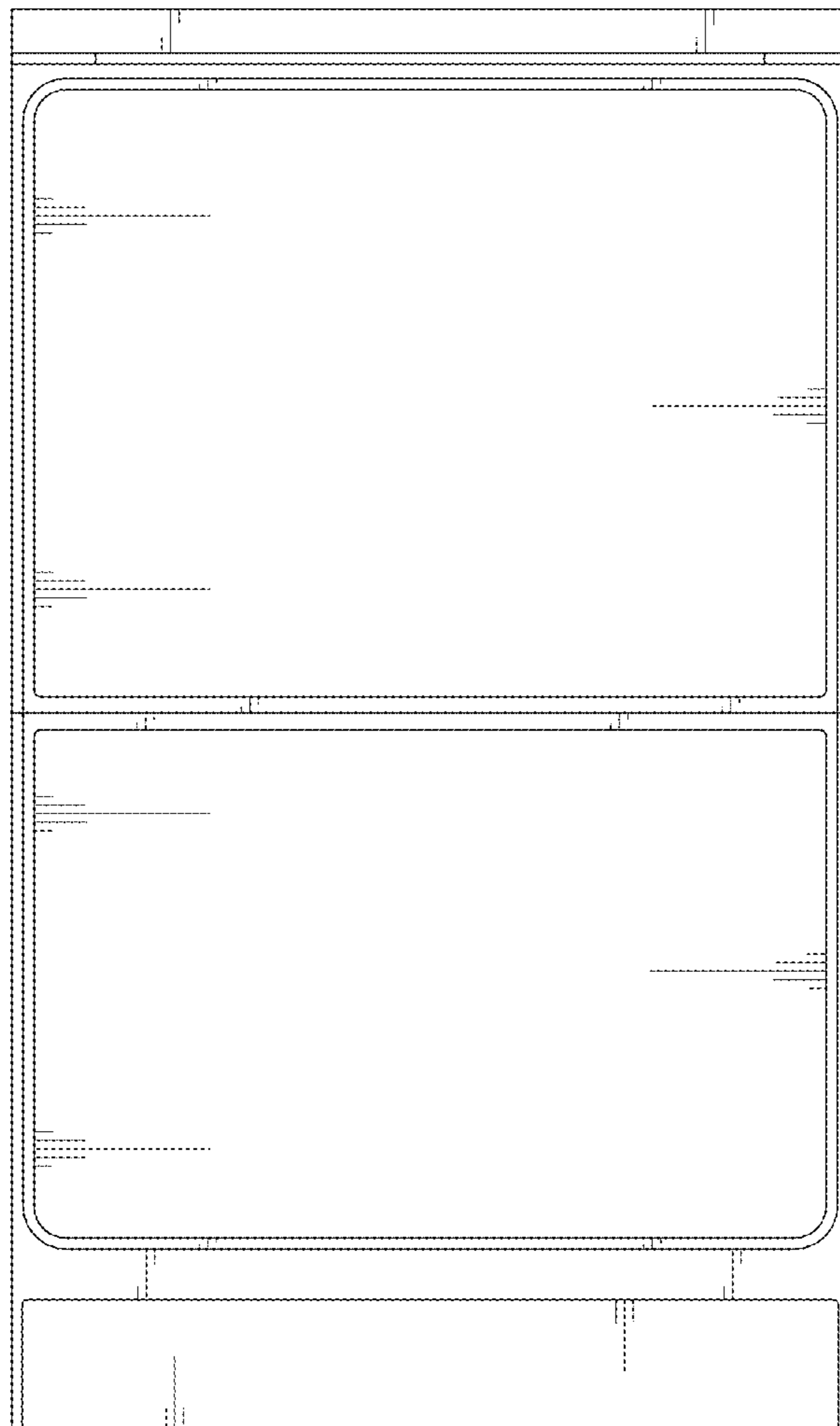


FIG. 6

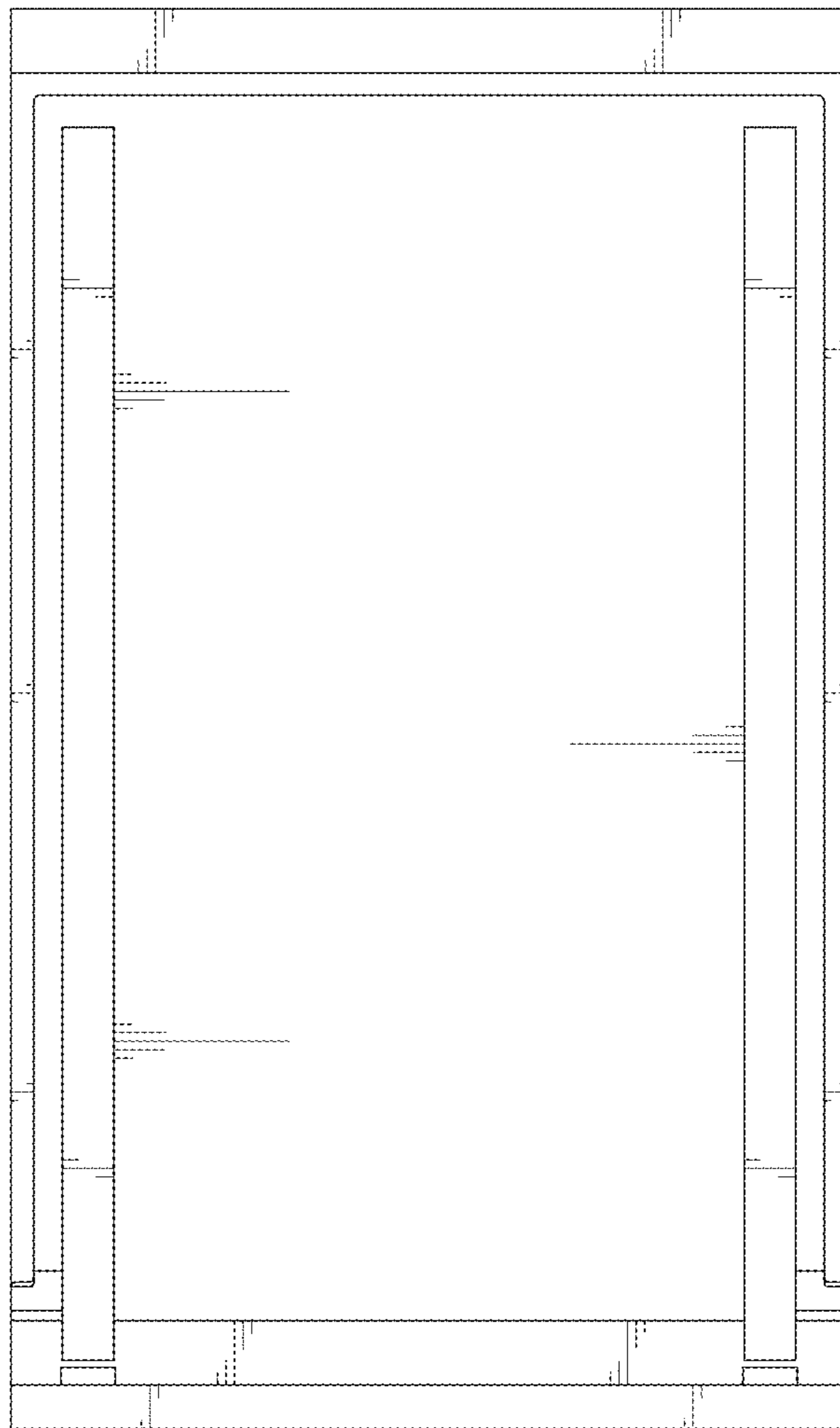


FIG. 7

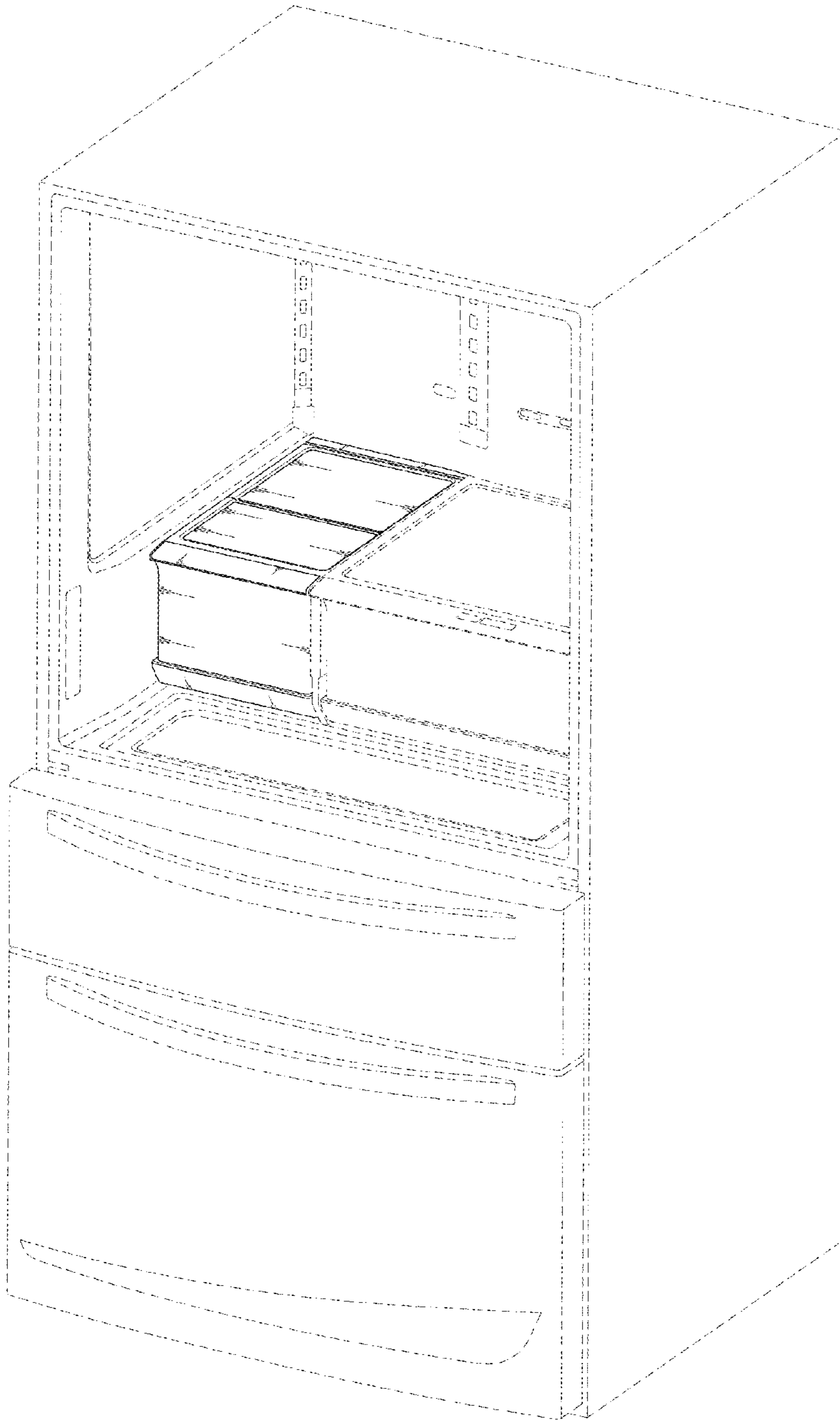


FIG. 8

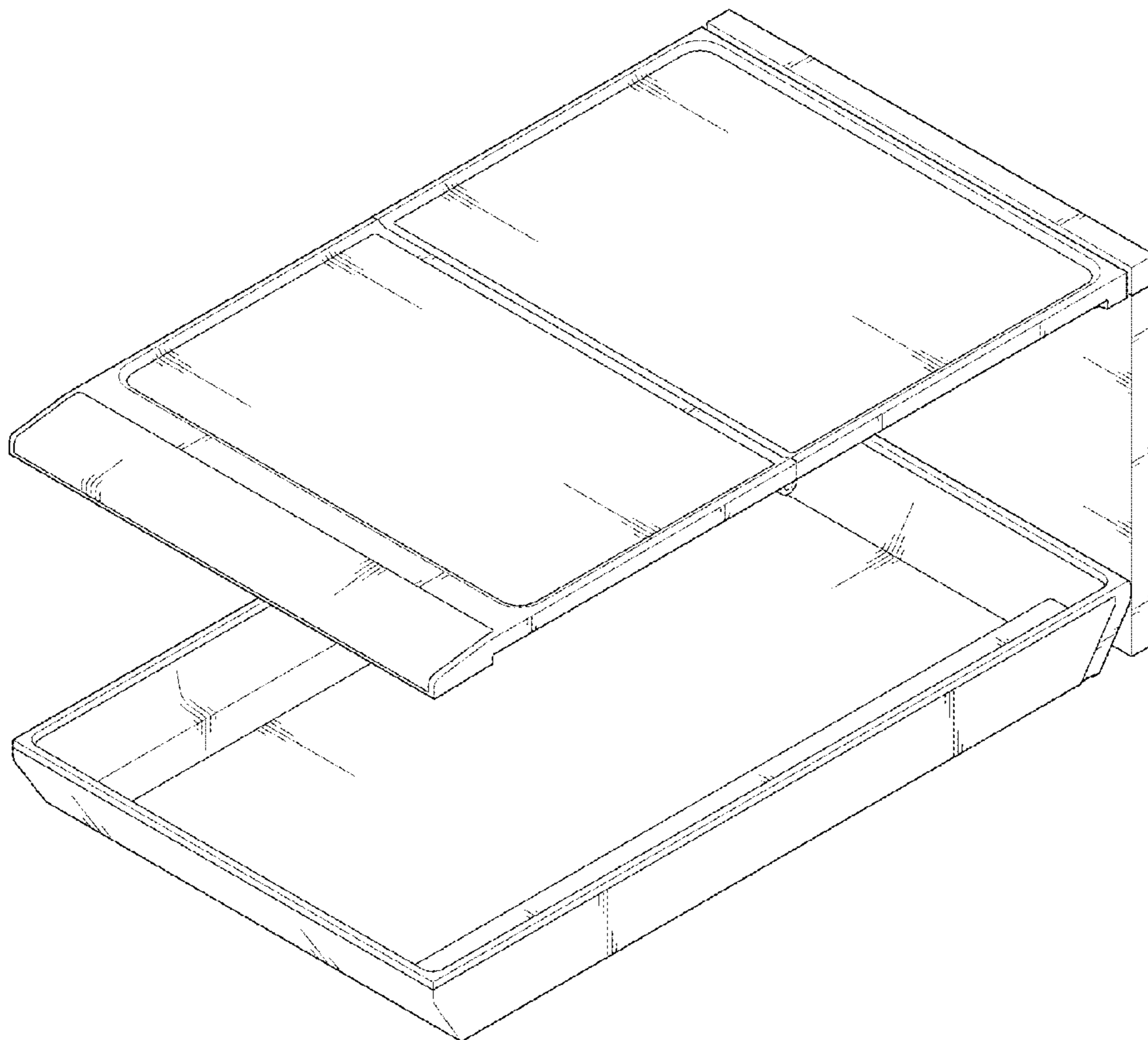


FIG. 9

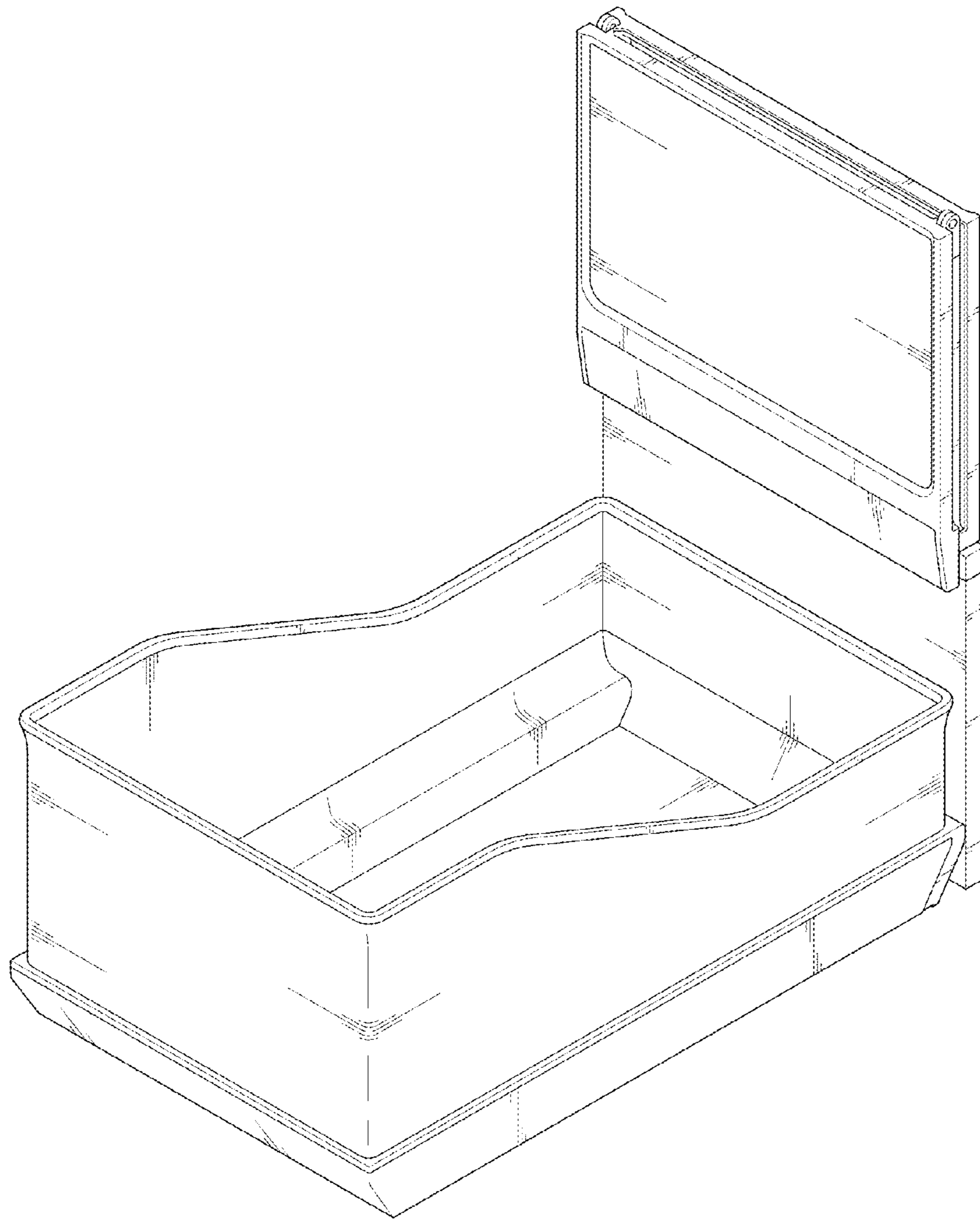


FIG. 10

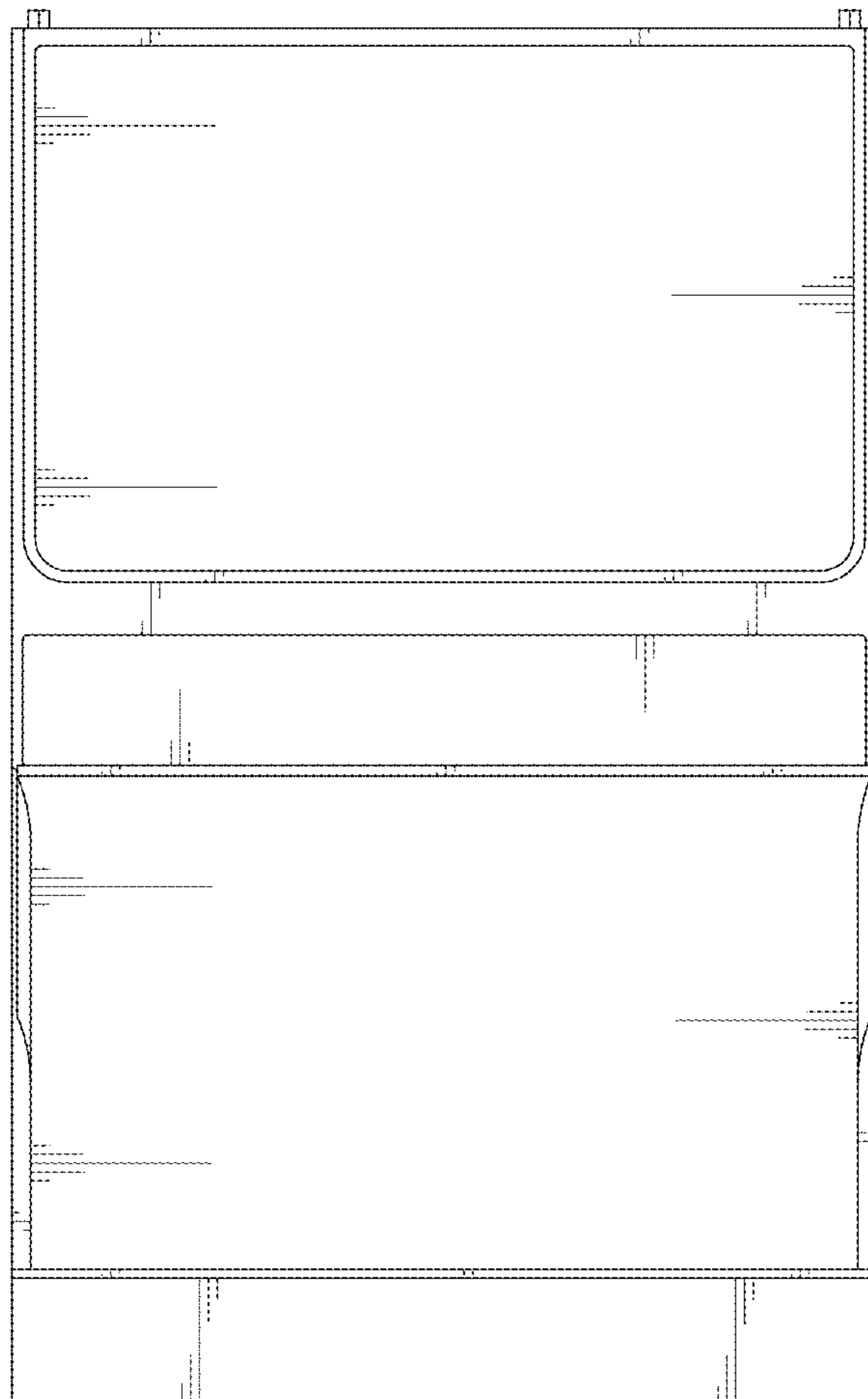


FIG. 11

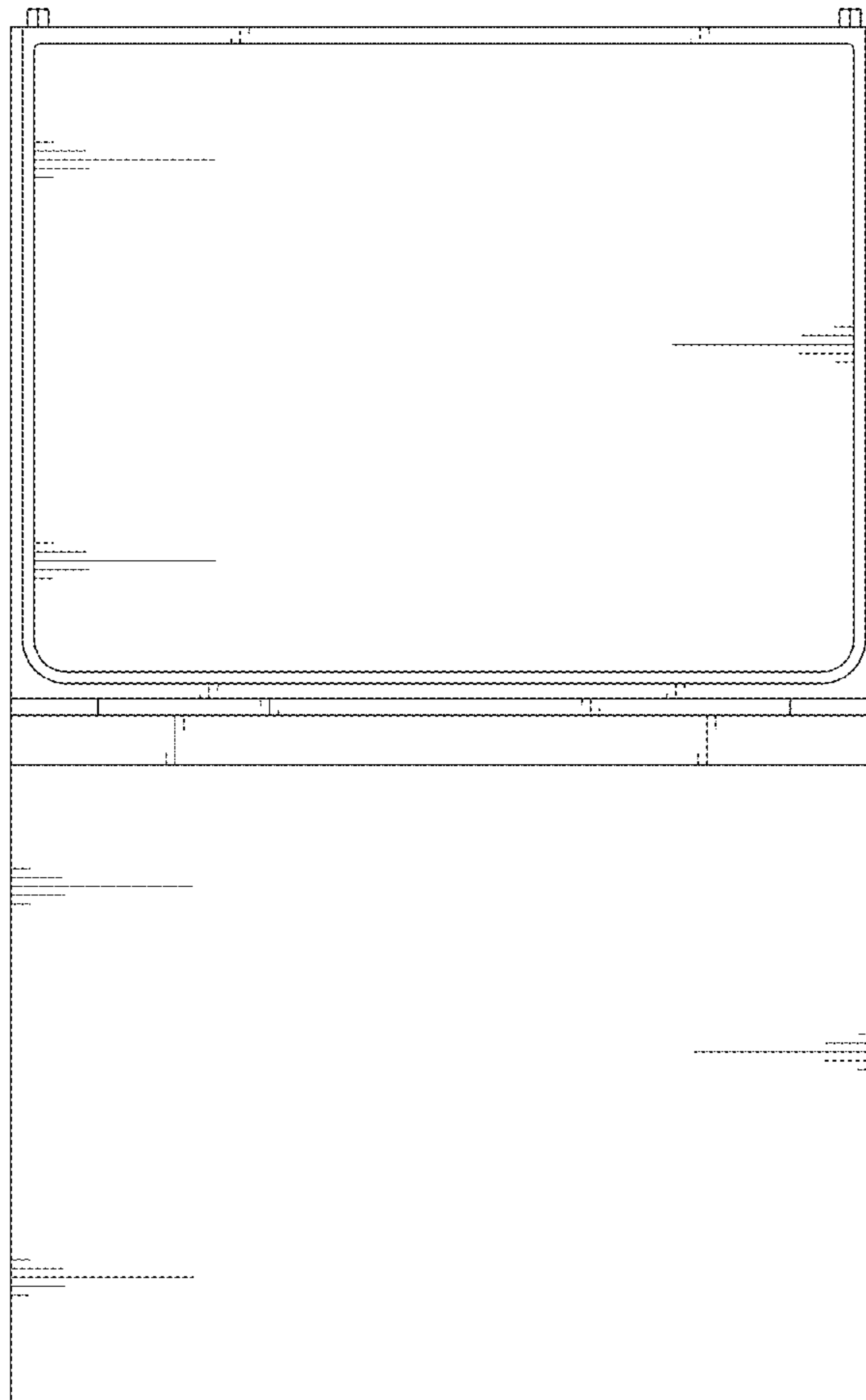


FIG. 12

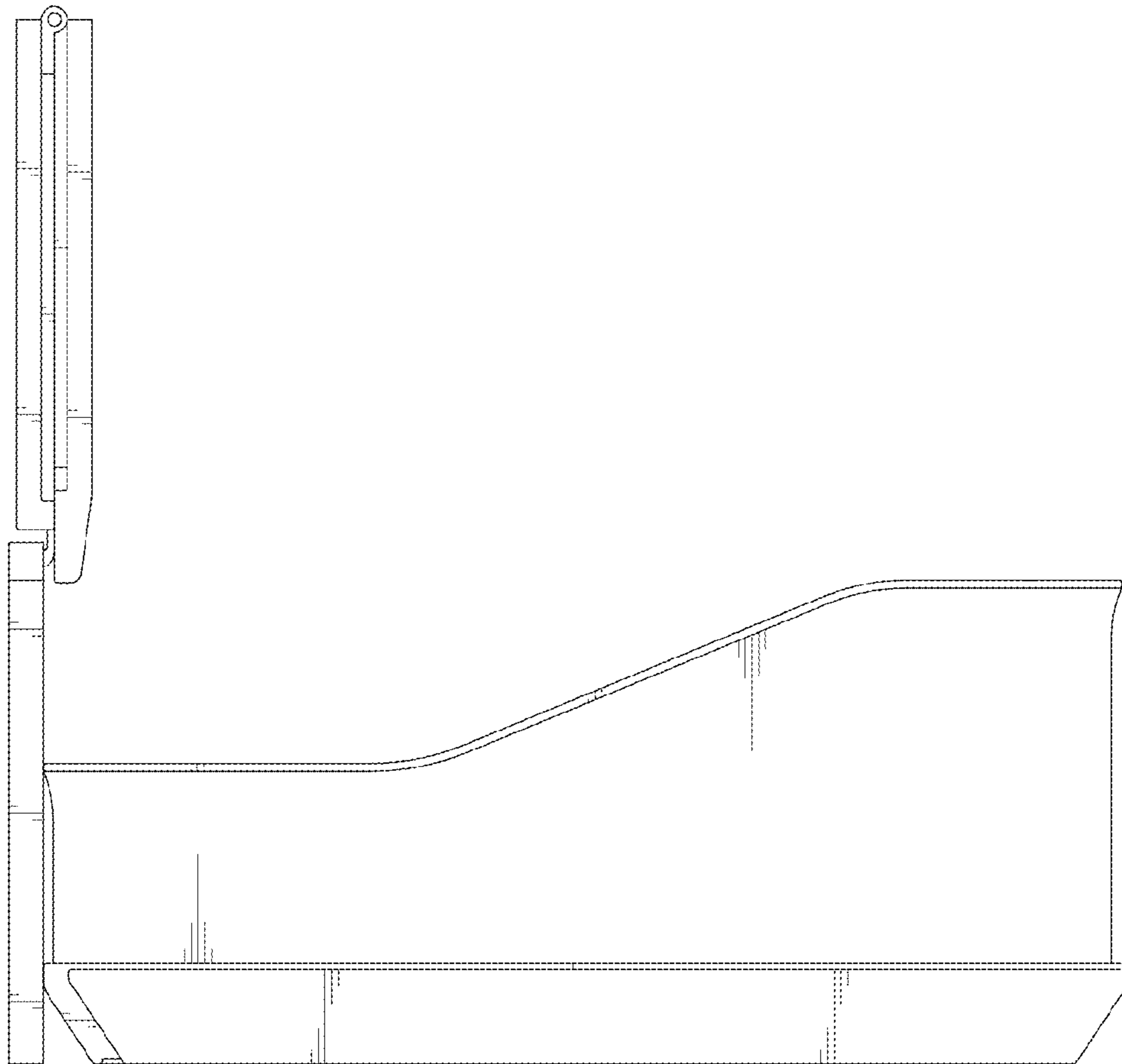


FIG. 13

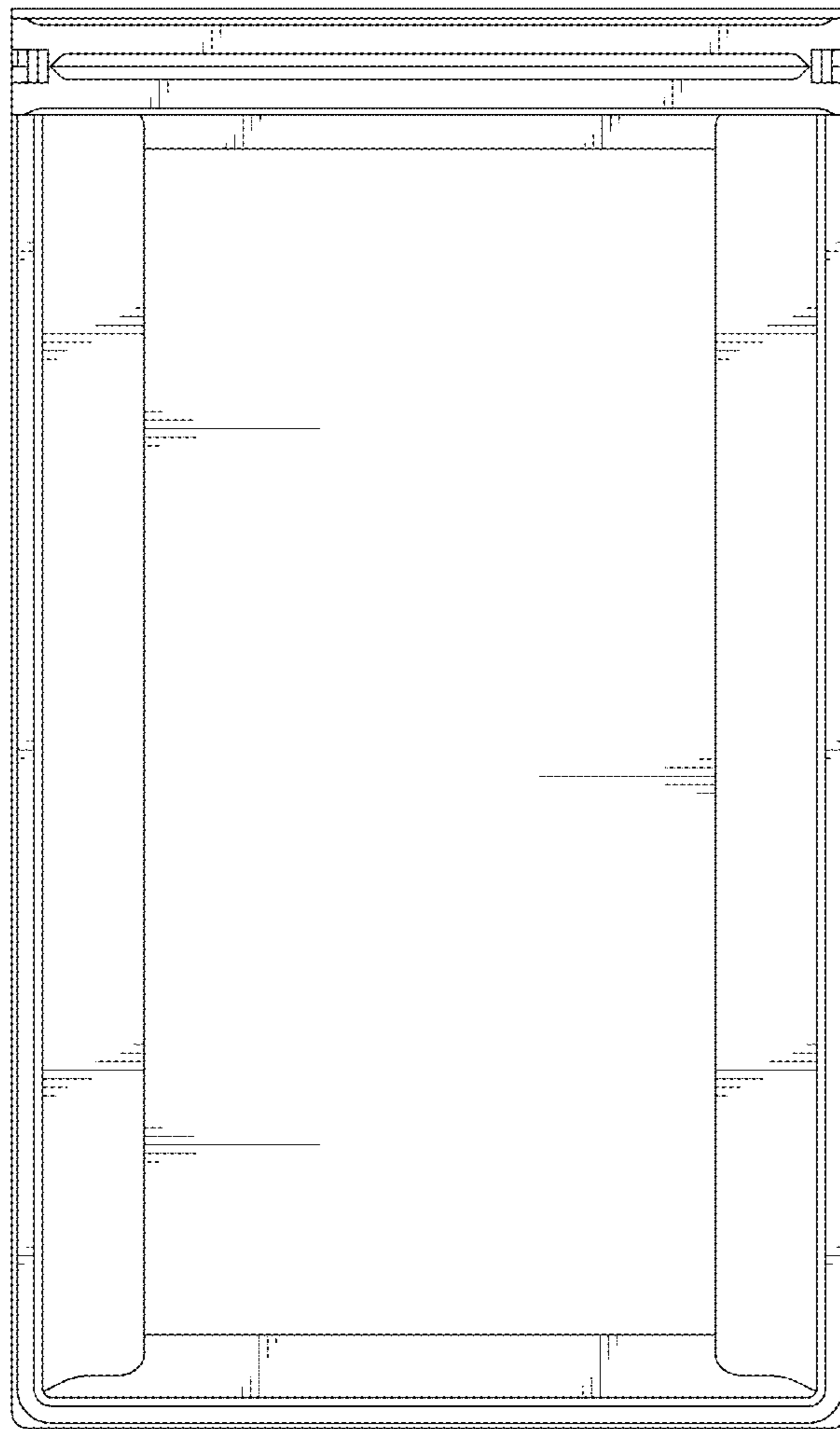


FIG. 14

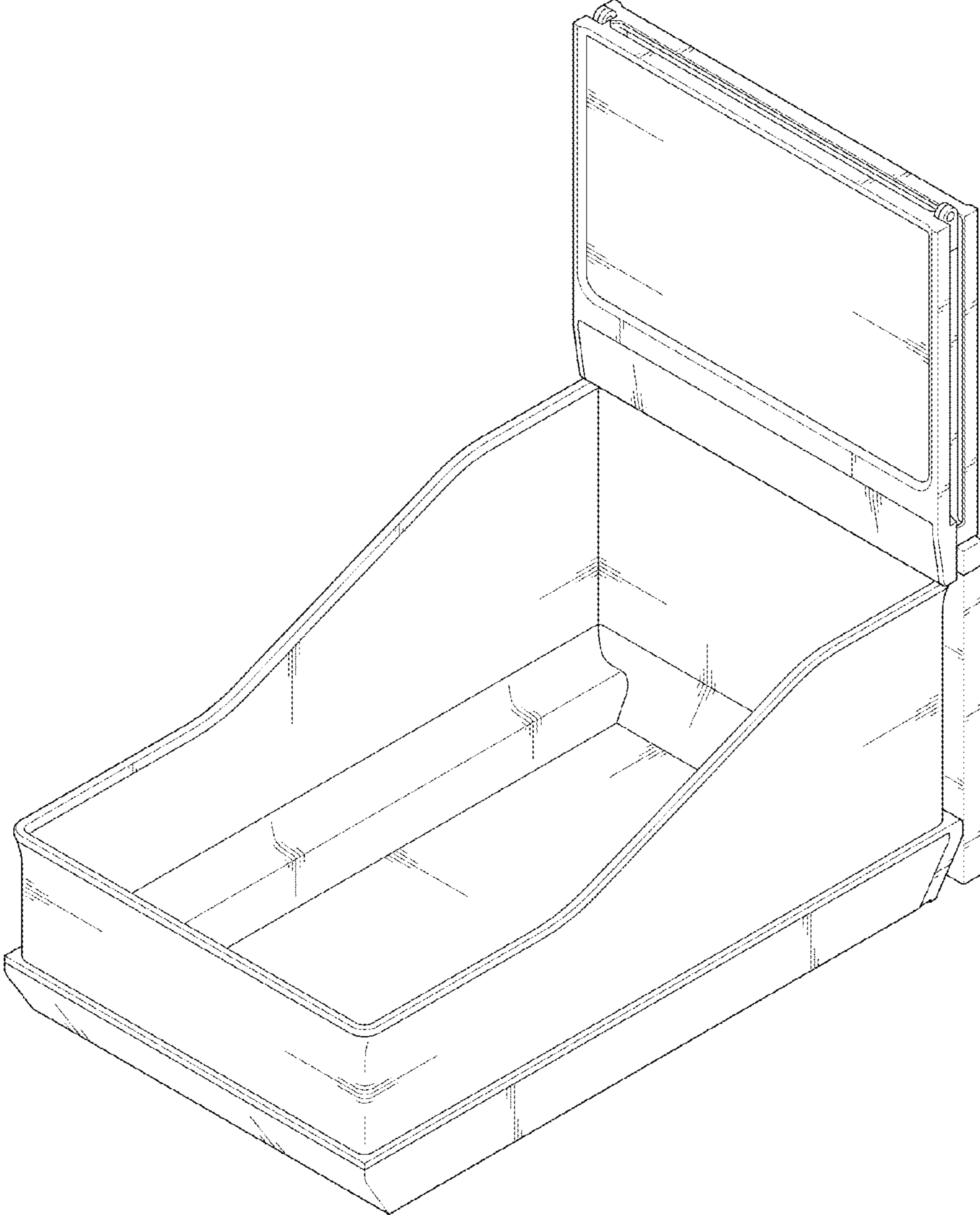


FIG. 15

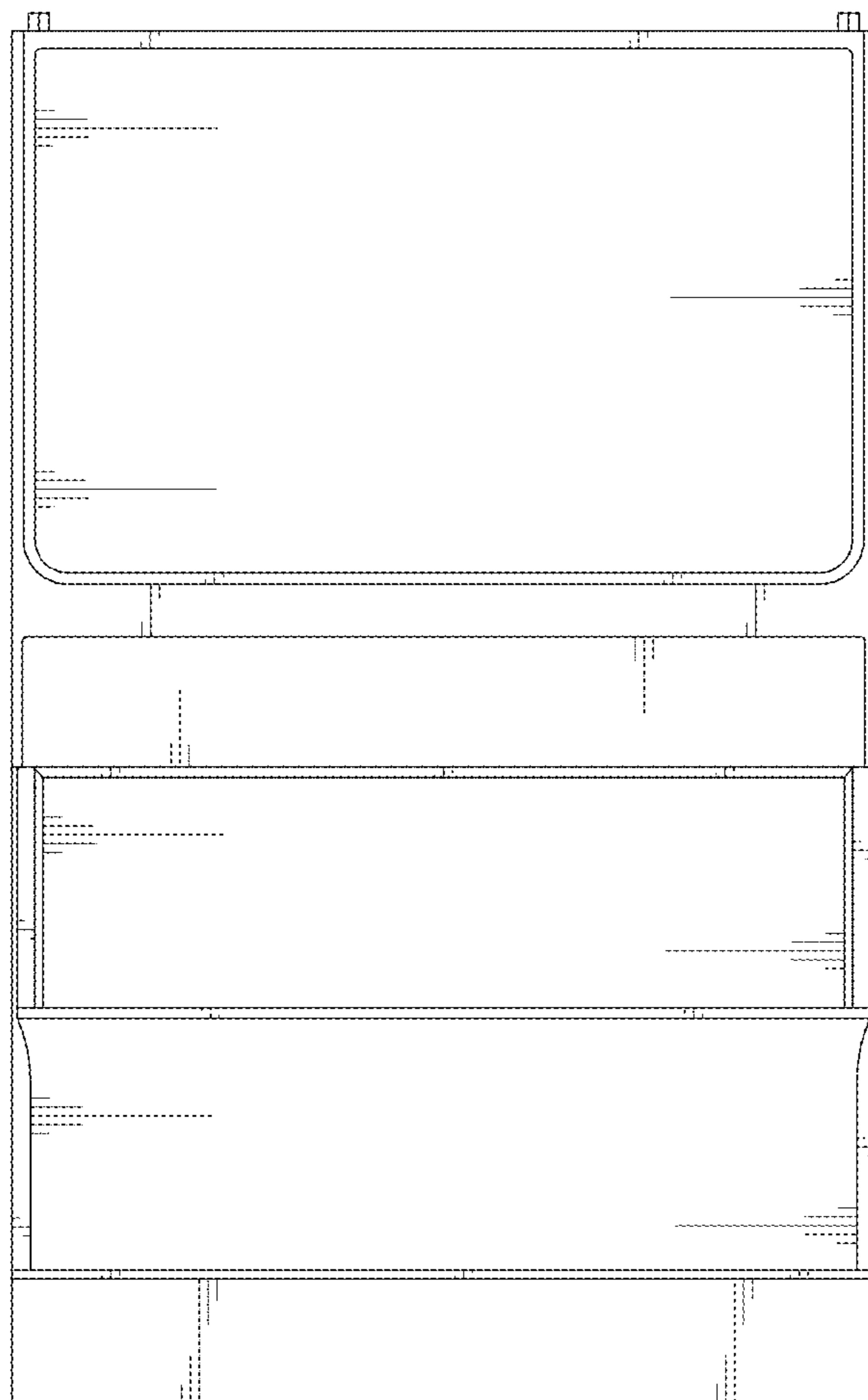


FIG. 16

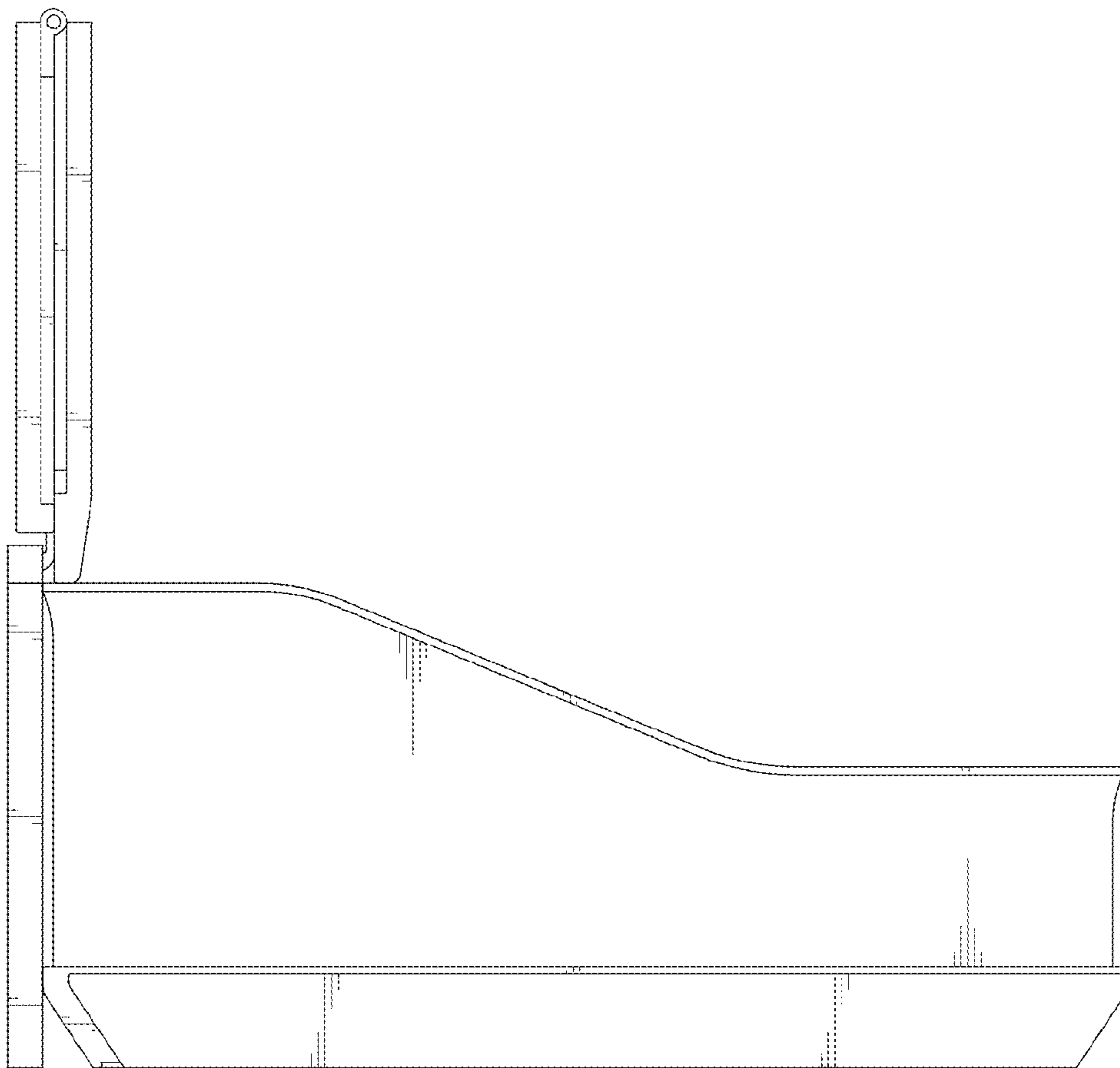


FIG. 17

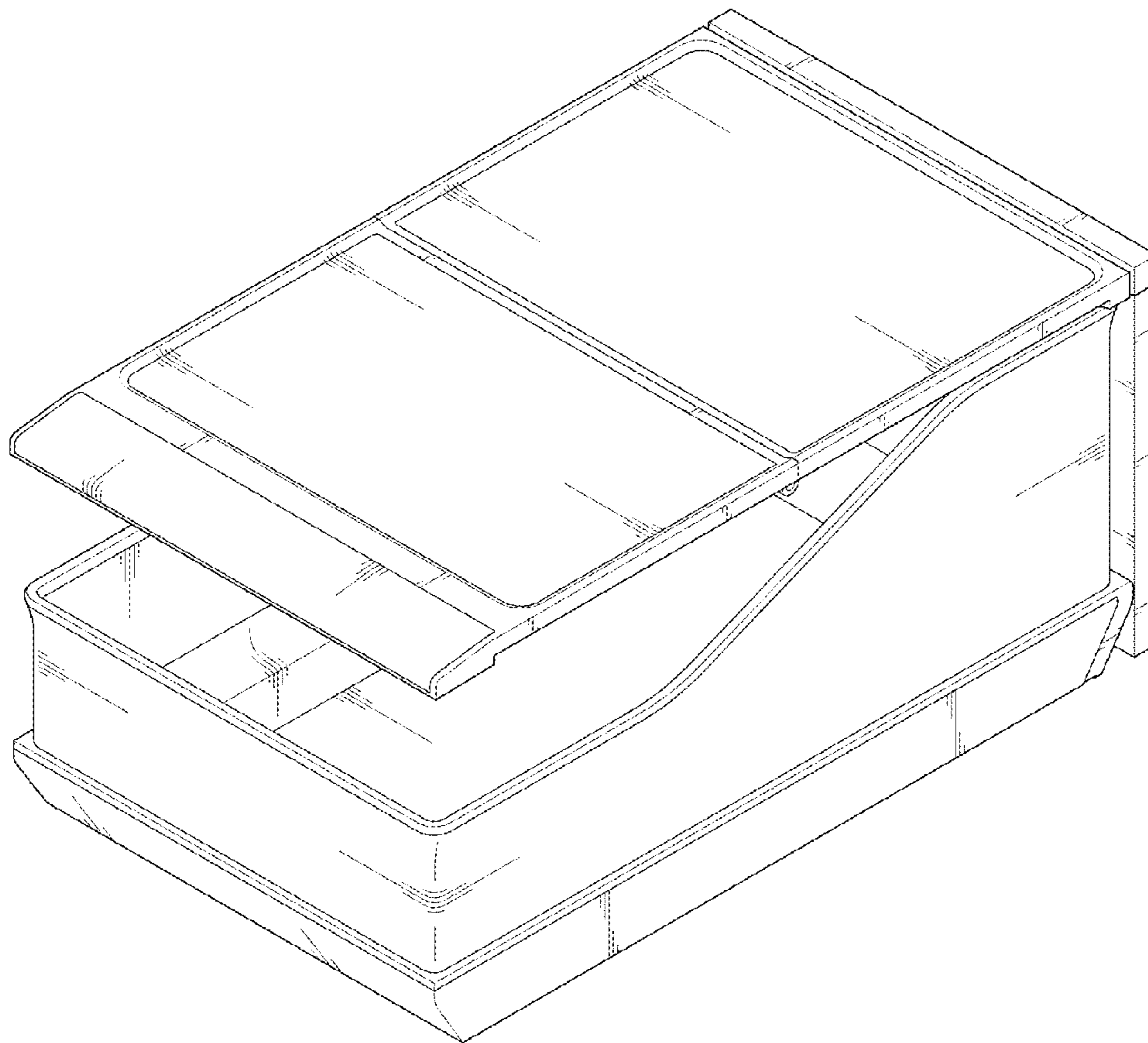


FIG. 18

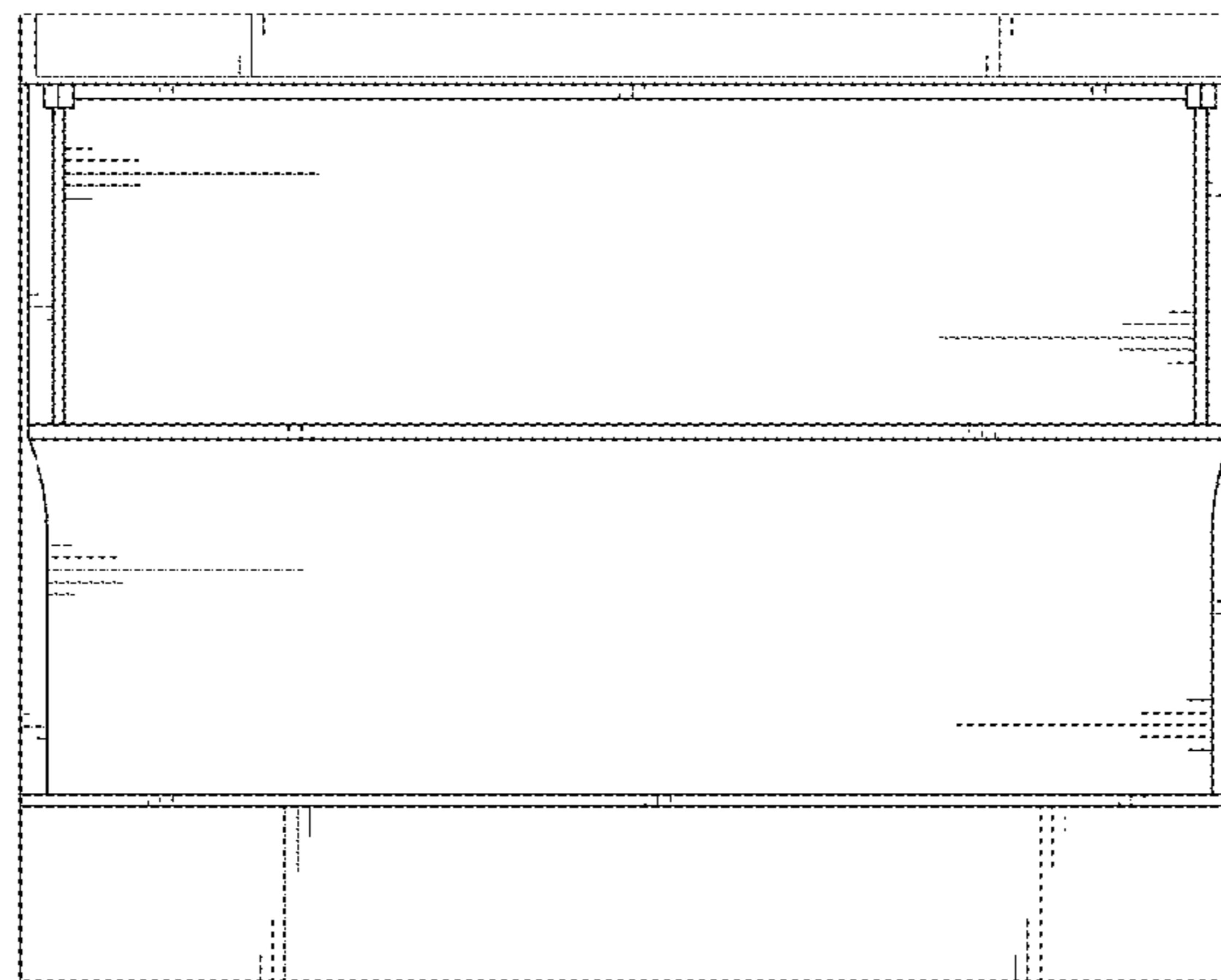


FIG. 19

