



US00D730953S

(12) **United States Design Patent**
Dickens et al.

(10) **Patent No.:** **US D730,953 S**
(45) **Date of Patent:** **** Jun. 2, 2015**

(54) **DECORATIVE ELEMENT FOR A REFRIGERATED COOLER**

(56) **References Cited**

U.S. PATENT DOCUMENTS

(71) Applicants: **Anthony Dickens**, London (GB); **Eike Schaefer**, Anger (DE)

D352,420 S *	11/1994	Costello	D7/605
D354,064 S *	1/1995	Sims	D15/88
D493,181 S *	7/2004	Kehoe	D15/81
D512,081 S *	11/2005	Chang	D15/81
D539,312 S *	3/2007	Kim	D15/81
D627,374 S *	11/2010	Yang	D15/81
D630,231 S *	1/2011	Yang et al.	D15/81
D687,076 S *	7/2013	Schaefer et al.	D15/81
D695,795 S *	12/2013	Schaefer et al.	D15/81
D705,278 S *	5/2014	Schaefer et al.	D15/81
D705,279 S *	5/2014	Schaefer et al.	D15/81
D705,824 S *	5/2014	Schaefer et al.	D15/81

(72) Inventors: **Anthony Dickens**, London (GB); **Eike Schaefer**, Anger (DE)

(73) Assignee: **RED BULL GMBH**, Fuschl am See (AT)

(**) Term: **14 Years**

* cited by examiner

(21) Appl. No.: **29/458,175**

Primary Examiner — Thomas Johannes

Assistant Examiner — Khawaja Anwar

(22) Filed: **Jun. 17, 2013**

(74) *Attorney, Agent, or Firm* — TechMark a Law Corp.; Martin R. Greenstein

(30) **Foreign Application Priority Data**

Dec. 17, 2012 (EP)	002145104-0004
Dec. 17, 2012 (EP)	002145104-0005
Dec. 17, 2012 (EP)	002145104-0006
Dec. 17, 2012 (EP)	002145104-0007
Dec. 17, 2012 (EP)	002145104-0008
Dec. 17, 2012 (EP)	002154104-0003

(57) **CLAIM**

The ornamental design for a decorative element for a refrigerated cooler, as shown and described.

(51) **LOC (10) Cl.** **15-07**

DESCRIPTION

(52) **U.S. Cl.**
USPC **D15/79**

FIG. 1 is a front view of a decorative element for a refrigerated cooler, showing our new design;
FIG. 2 is a top view thereof;
FIG. 3 is a left side view thereof;
FIG. 4 is a right side view thereof; and,
FIG. 5 is a front left perspective view thereof.

(58) **Field of Classification Search**
USPC D15/79-90; 62/246-255, 331, 337,
62/440-449, 3.6; 312/114, 116, 236,
312/138.1, 401-405

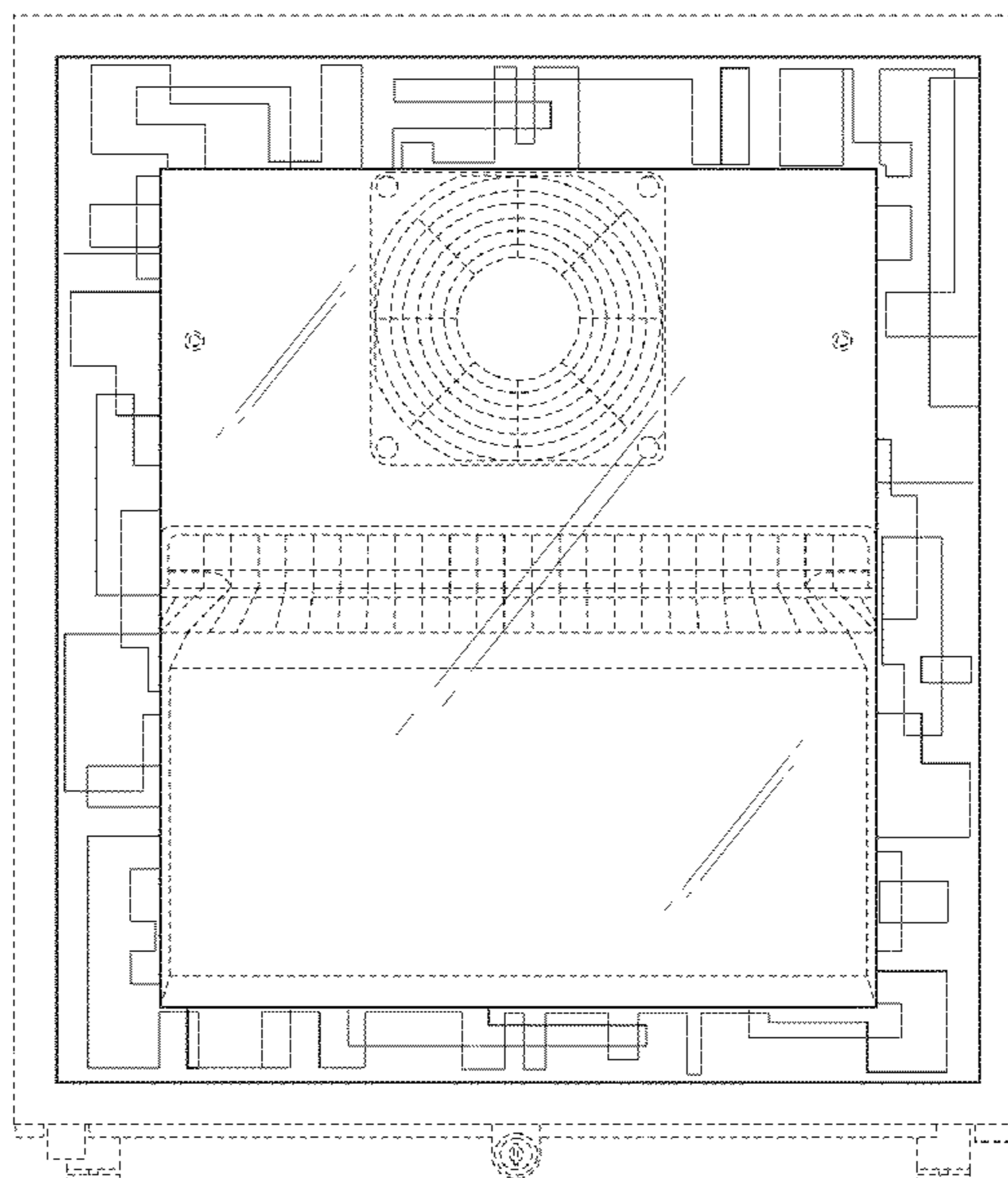
The rear and bottom views form no part of the claimed design and are therefore omitted.

The decorative element for a refrigerated cooler is shown with an internal element in an off position.

The claimed design is intended as glow producing surface ornamentation for a refrigerated cooler.

See application file for complete search history.

1 Claim, 5 Drawing Sheets



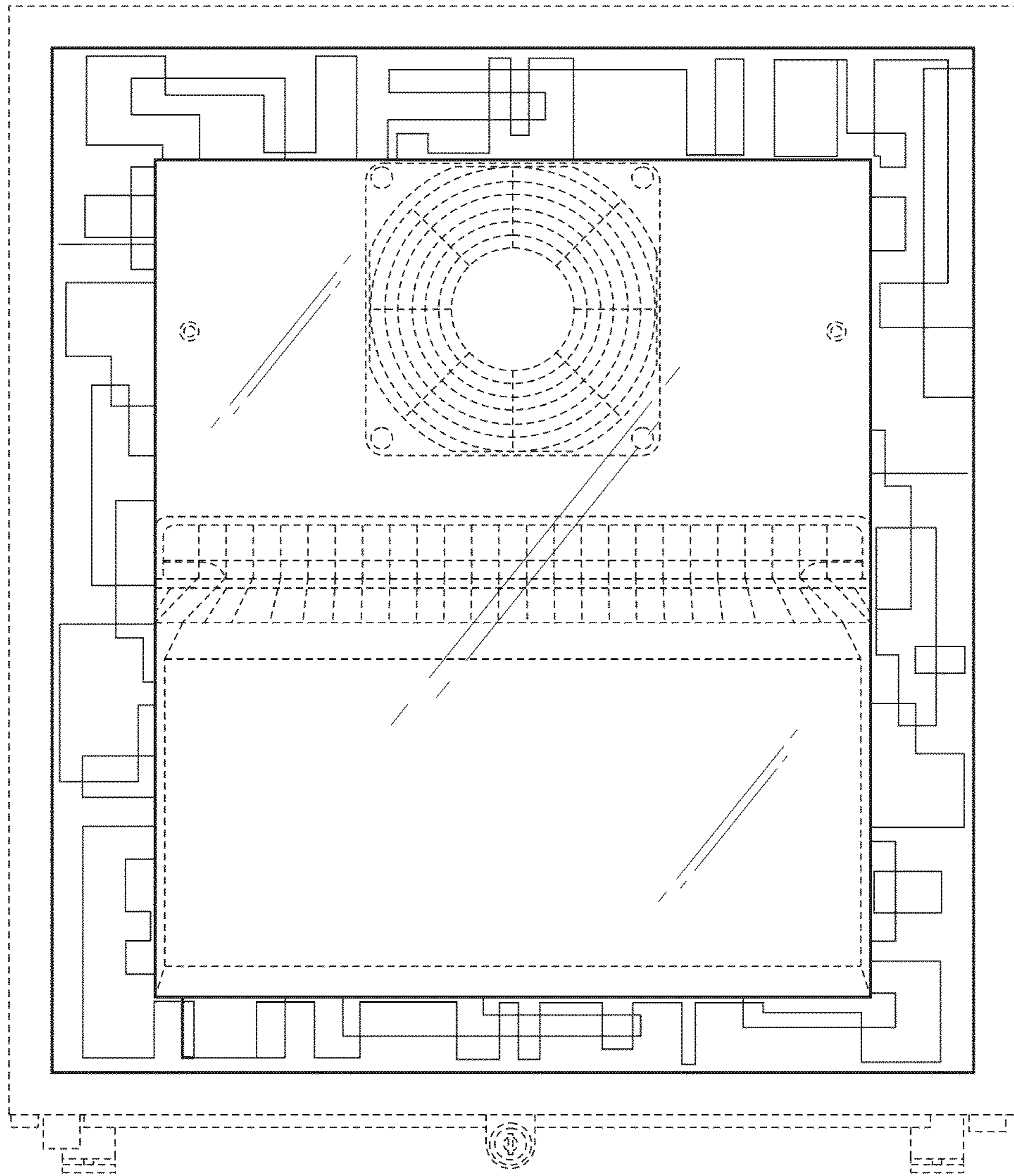


Fig. 1

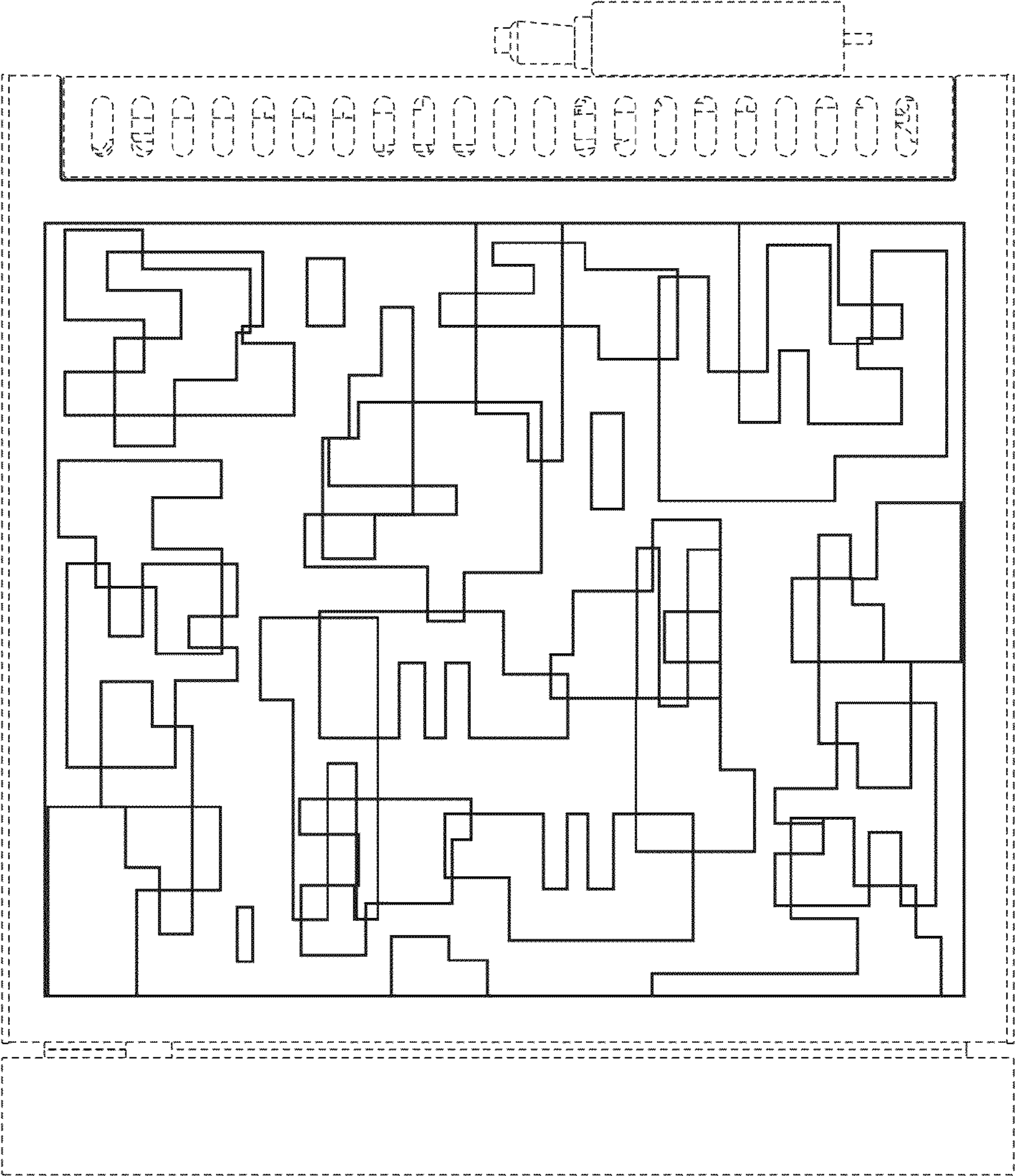


Fig. 2

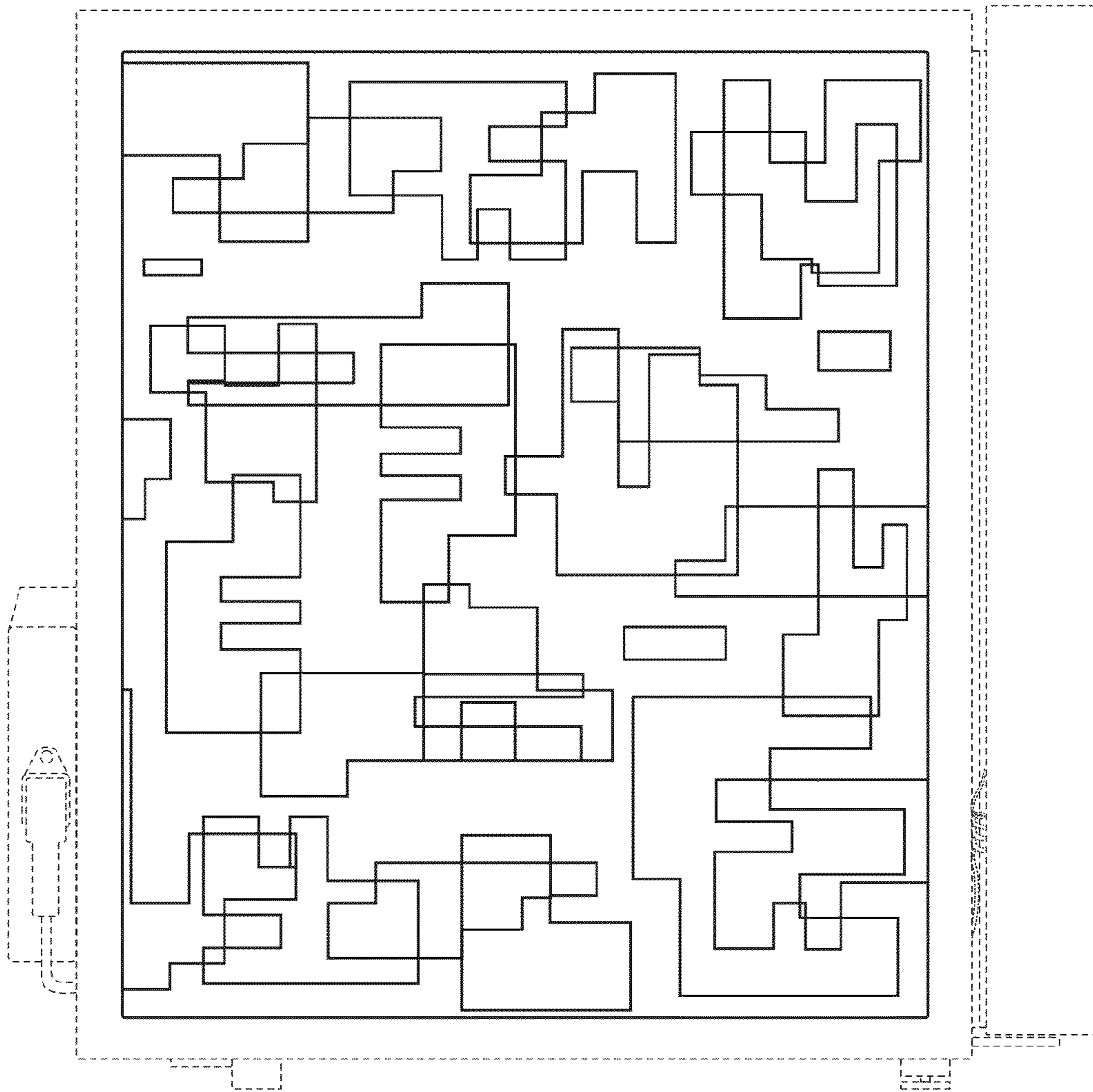


Fig. 3

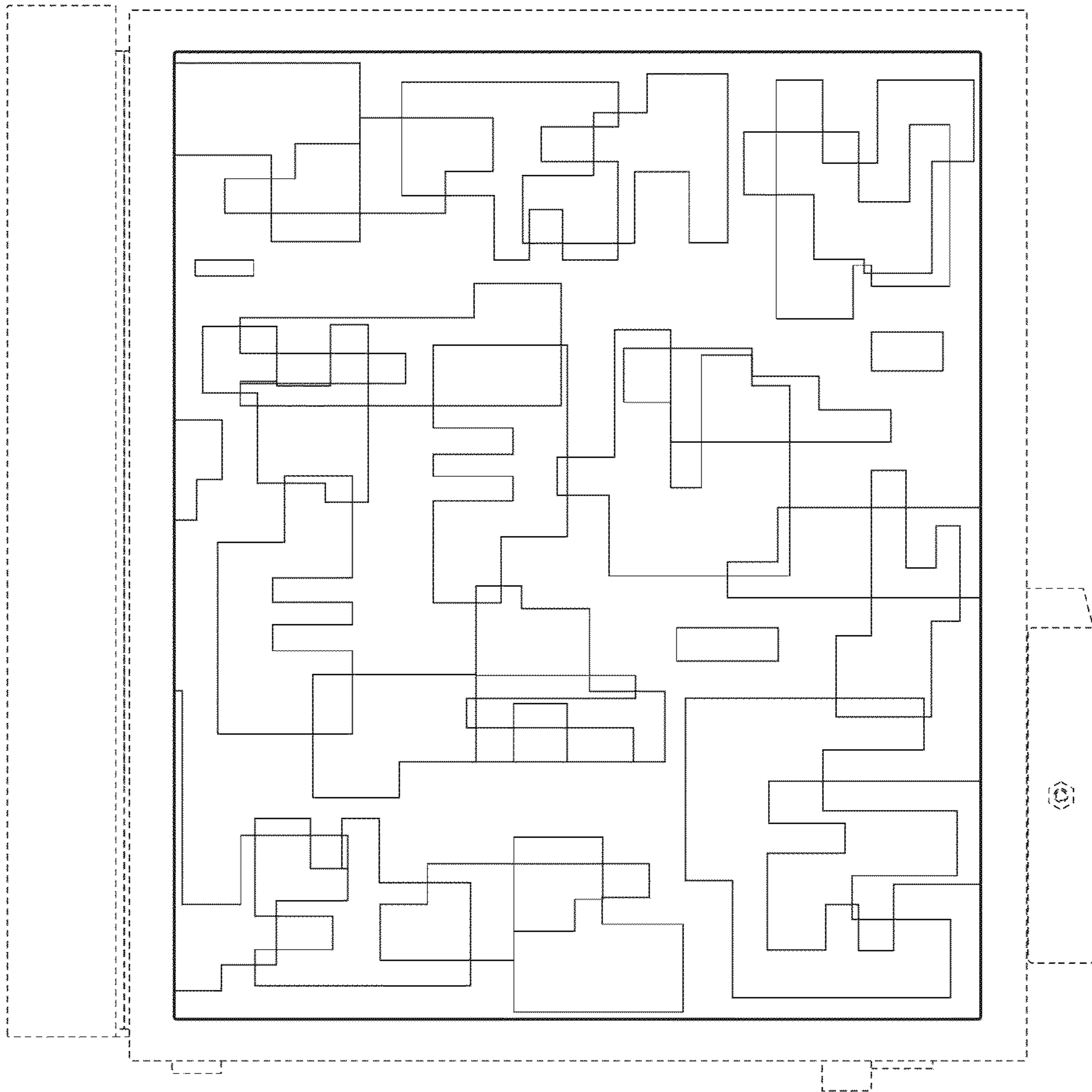


Fig. 4

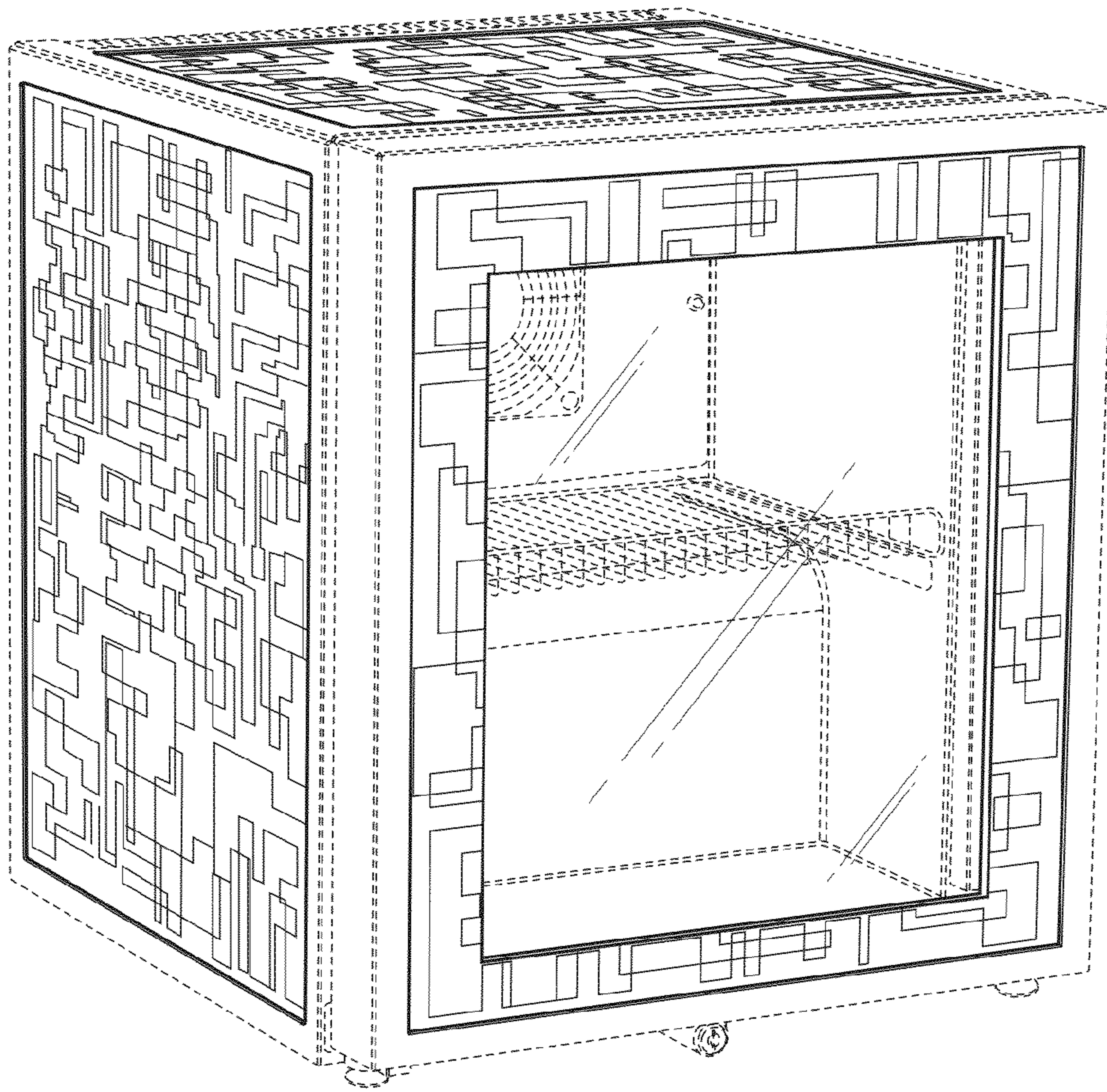


Fig. 5