



US00D730950S

(12) **United States Design Patent**
Wright et al.

(10) **Patent No.:** **US D730,950 S**
(45) **Date of Patent:** **** Jun. 2, 2015**

(54) **STORAGE TANK FOR AN AGRICULTURAL IMPLEMENT**

(71) Applicant: **CNH Industrial Canada, Ltd.**,
Saskatoon (CA)

(72) Inventors: **Jared S. Wright**, Saskatoon (CA);
Darwin L. Zacharias, Saskatoon (CA);
Robin Bruno Schilling, Darfield (CA);
Dennis George Thompson, Saskatoon
(CA)

(73) Assignee: **CNH Industrial Canada, Ltd.**,
Saskatoon, Saskatchewan (CA)

(**) Term: **14 Years**

(21) Appl. No.: **29/508,210**

(22) Filed: **Nov. 4, 2014**

(51) **LOC (10) Cl.** **15-03**

(52) **U.S. Cl.**
USPC **D15/28**

(58) **Field of Classification Search**
USPC D15/10, 13-17, 28, 21, 27; D12/218;
D23/200, 202, 213; 239/683, 687, 72,
239/289, 722; 414/725, 912; 37/442, 403;
111/118; 137/544; 220/587, 565,
220/567.1; 210/532.2; 123/563; 222/185.1,
222/608

See application file for complete search history.

(56) **References Cited**

U.S. PATENT DOCUMENTS

D327,942	S	*	7/1992	Whitfield	D23/202
D333,476	S	*	2/1993	Gingrich	D15/13
D425,915	S	*	5/2000	Truan et al.	D15/13
D427,206	S	*	6/2000	Johnson et al.	D15/28
6,099,013	A	*	8/2000	Stoss	280/407
D523,447	S	*	6/2006	Dixon	D15/13
D527,789	S	*	9/2006	Thompson et al.	D23/202
7,150,419	B1	*	12/2006	Tomlonovic et al.	239/722
D612,448	S	*	3/2010	Richardson	D23/202

7,694,638	B1	*	4/2010	Riewerts et al.	111/118
D647,168	S	*	10/2011	Lerner et al.	D23/202
D647,169	S	*	10/2011	Leonard et al.	D23/202
D647,170	S	*	10/2011	Hayslip et al.	D23/202
D669,099	S	*	10/2012	Ringer et al.	D15/28
D669,100	S	*	10/2012	Ringer et al.	D15/28
D687,866	S	*	8/2013	Thompson et al.	D15/28
D687,867	S	*	8/2013	Thompson et al.	D15/28
D690,740	S	*	10/2013	Gonzales et al.	D15/28
D690,741	S	*	10/2013	Gonzales et al.	D15/28
D693,856	S	*	11/2013	Thompson et al.	D15/28
D708,649	S	*	7/2014	Rollenhagen et al.	D15/28
D713,424	S	*	9/2014	Gonzales et al.	D15/28
2011/0147497	A1	*	6/2011	Hiddema	239/722
2012/0032005	A1	*	2/2012	McMahon et al.	239/722

(Continued)

OTHER PUBLICATIONS

U.S. Appl. No. 29/508,208, filed Nov. 4, 2014, Dennis George Thompson.

(Continued)

Primary Examiner — Mark Goodwin

(74) *Attorney, Agent, or Firm* — Rebecca L. Henkel

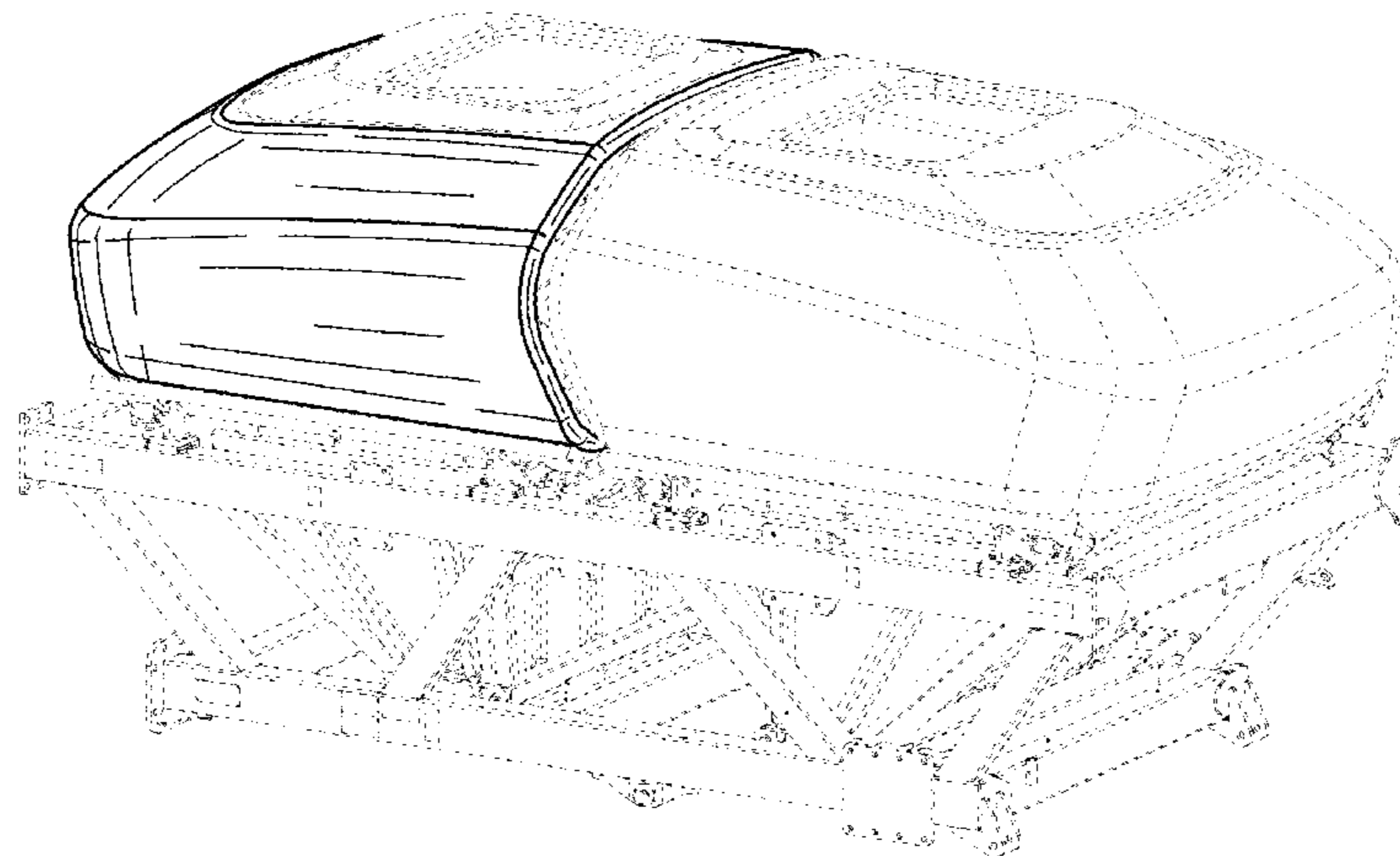
(57) **CLAIM**

The ornamental design for a storage tank for an agricultural implement, substantially as shown and described.

DESCRIPTION

FIG. 1 is a perspective view of a storage tank for an agricultural implement showing our new design in use condition; FIG. 2 is a perspective view thereof; FIG. 3 is a right side view thereof; FIG. 4 is a left side view thereof; FIG. 5 is a front view thereof; FIG. 6 is a back view thereof; FIG. 7 is a top view thereof; and, FIG. 8 is a bottom view thereof. Phantom lining, where utilized, is for illustrative purposes only and forms no part of the claimed design.

1 Claim, 5 Drawing Sheets



(56)

References Cited

U.S. PATENT DOCUMENTS

2014/0060403 A1* 3/2014 Blunier et al. 111/118
2014/0060404 A1* 3/2014 Blunier 111/119

OTHER PUBLICATIONS

U.S. Appl. No. 29/508,219, filed Nov. 4, 2014, Dennis George Thompson.
U.S. Appl. No. 29/508,226, filed Nov. 4, 2014, Dennis George Thompson.

U.S. Appl. No. 29/508,231, filed Nov. 4, 2014, Dennis George Thompson.
U.S. Appl. No. 29/508,206, filed Nov. 4, 2014, Dennis George Thompson.
U.S. Appl. No. 29/508,234, filed Nov. 4, 2014, Dennis George Thompson.
U.S. Appl. No. 29/508,238, filed Nov. 4, 2014, Dennis George Thompson.
U.S. Appl. No. 29/508,244, filed Nov. 4, 2014, Dennis George Thompson.

* cited by examiner

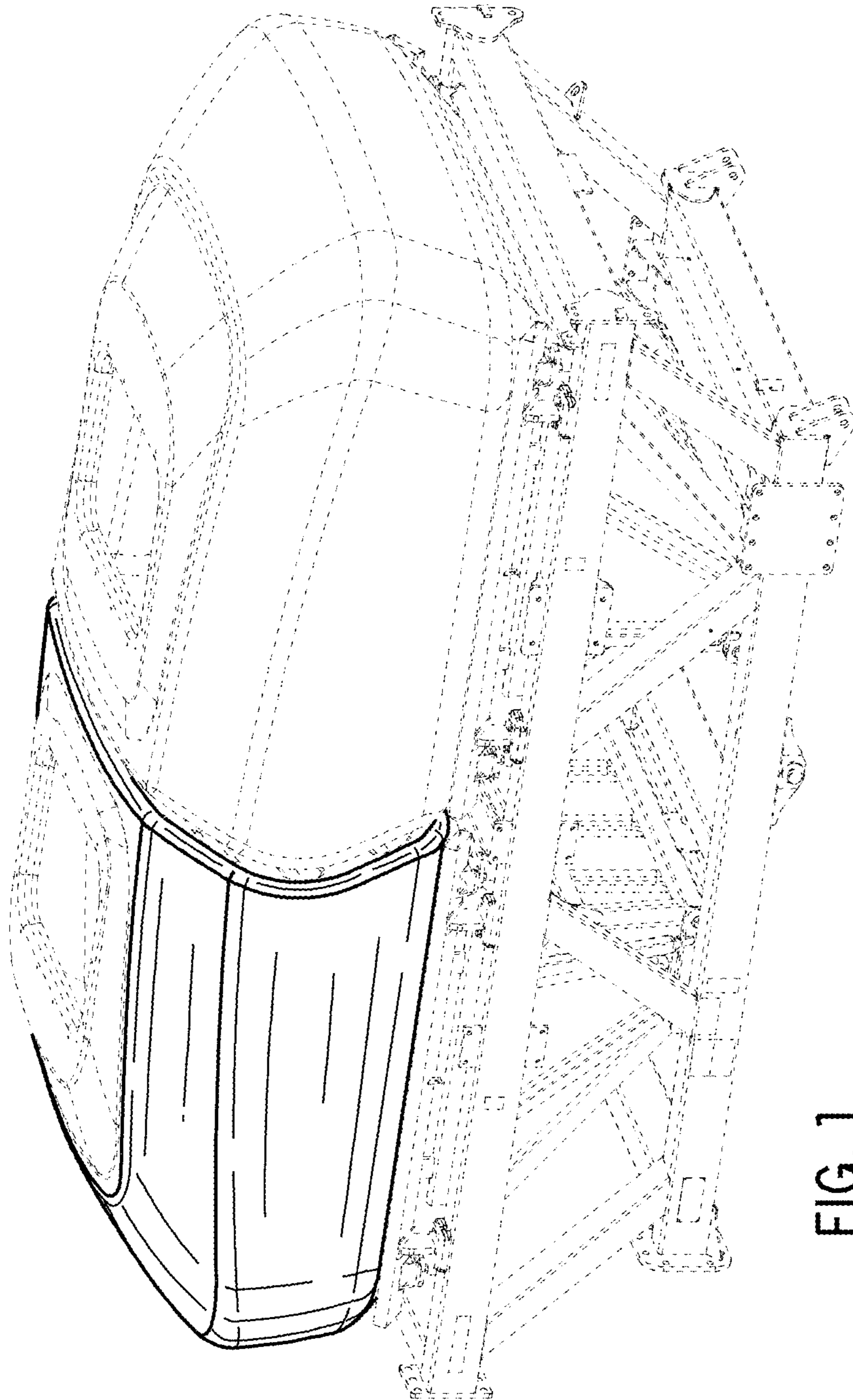


FIG. 1

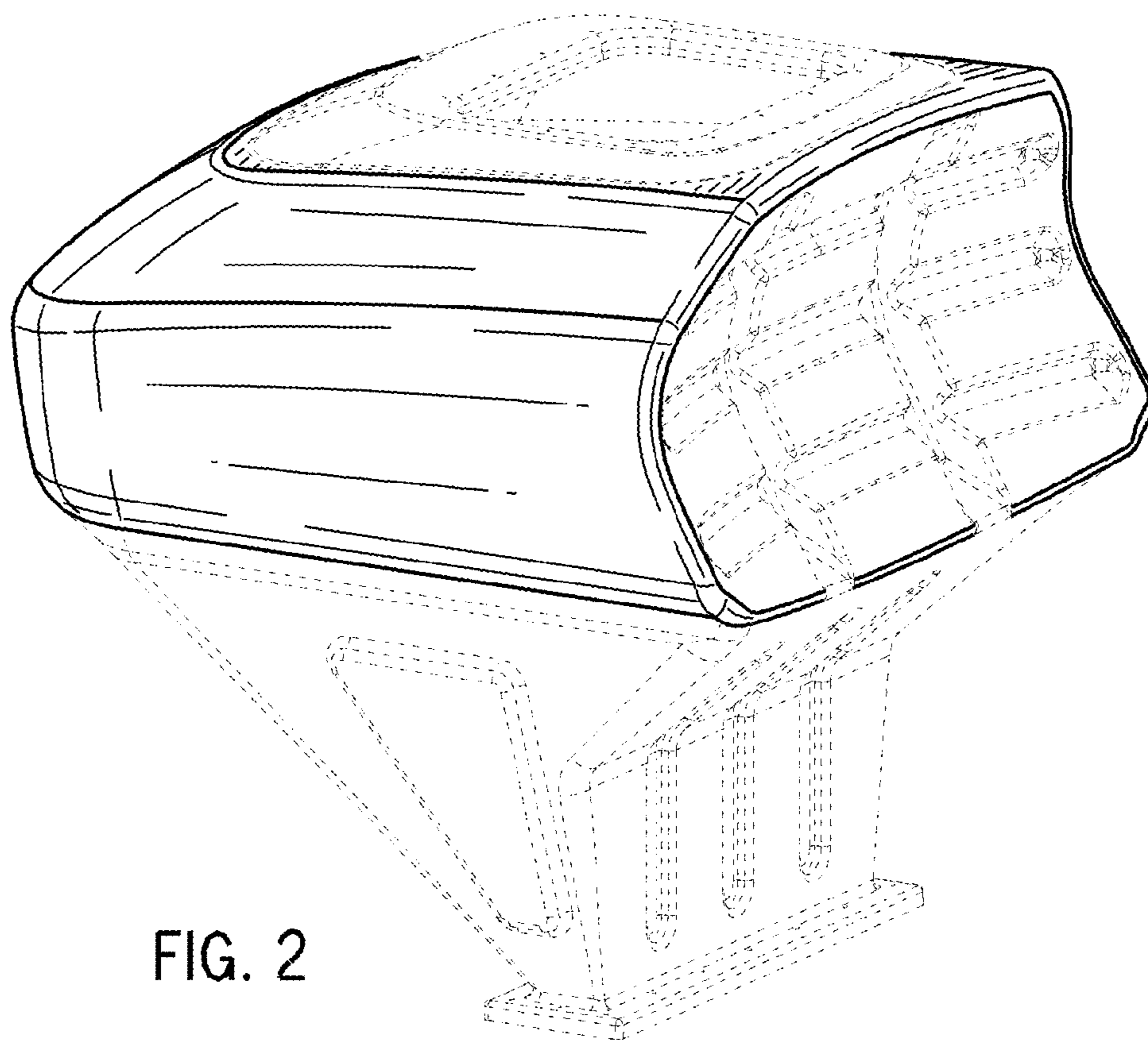


FIG. 2

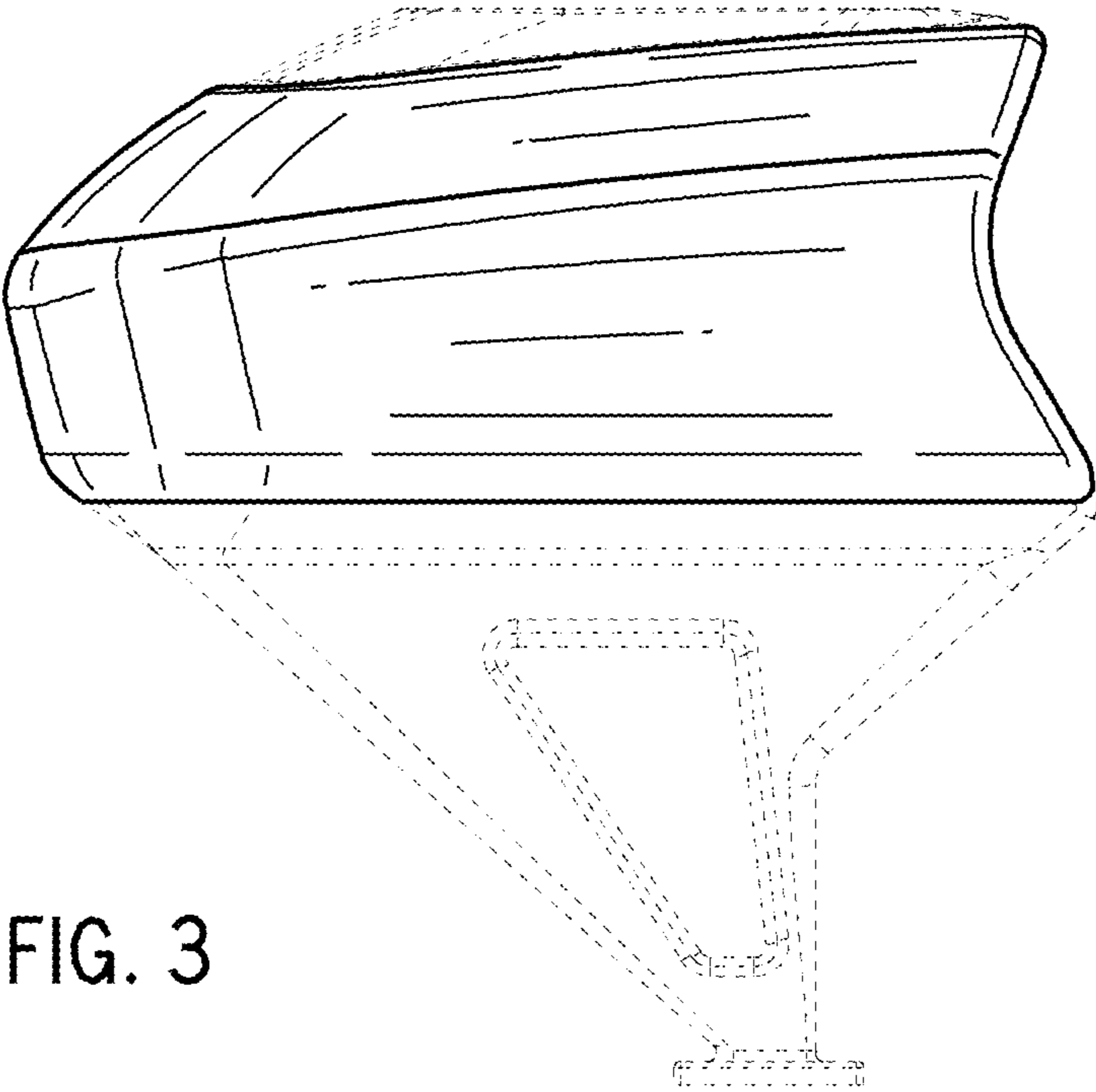


FIG. 3

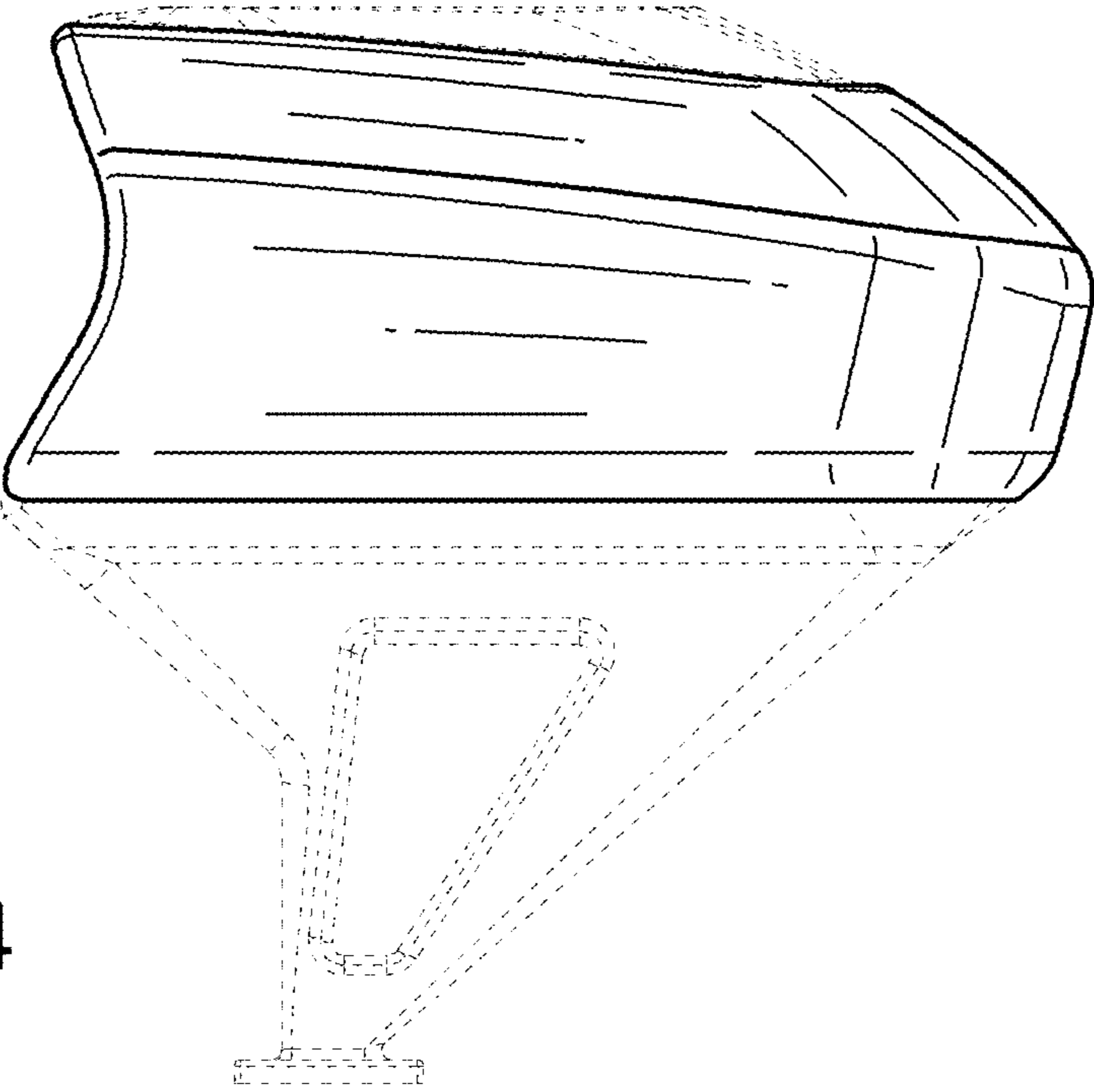


FIG. 4

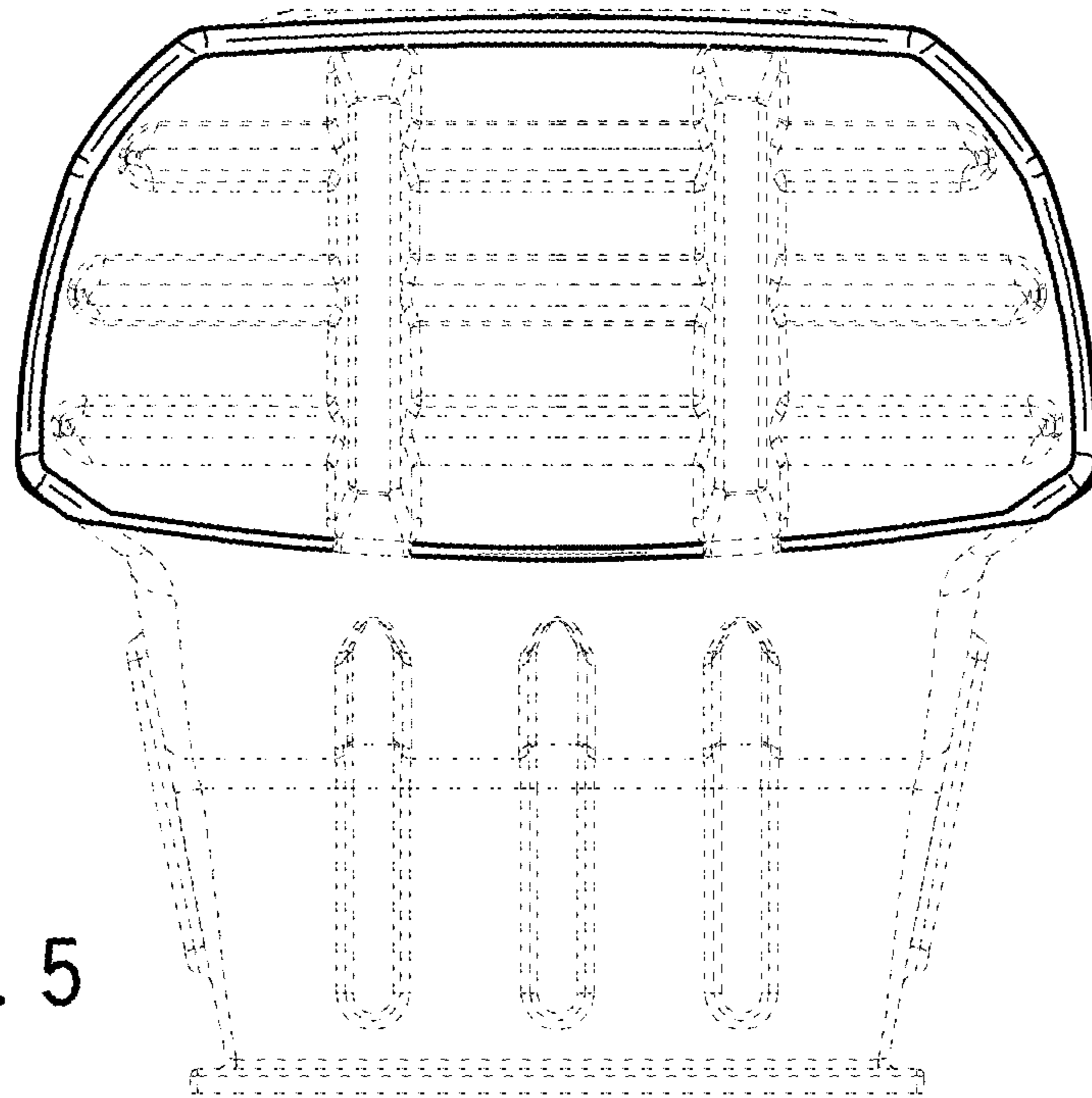


FIG. 5

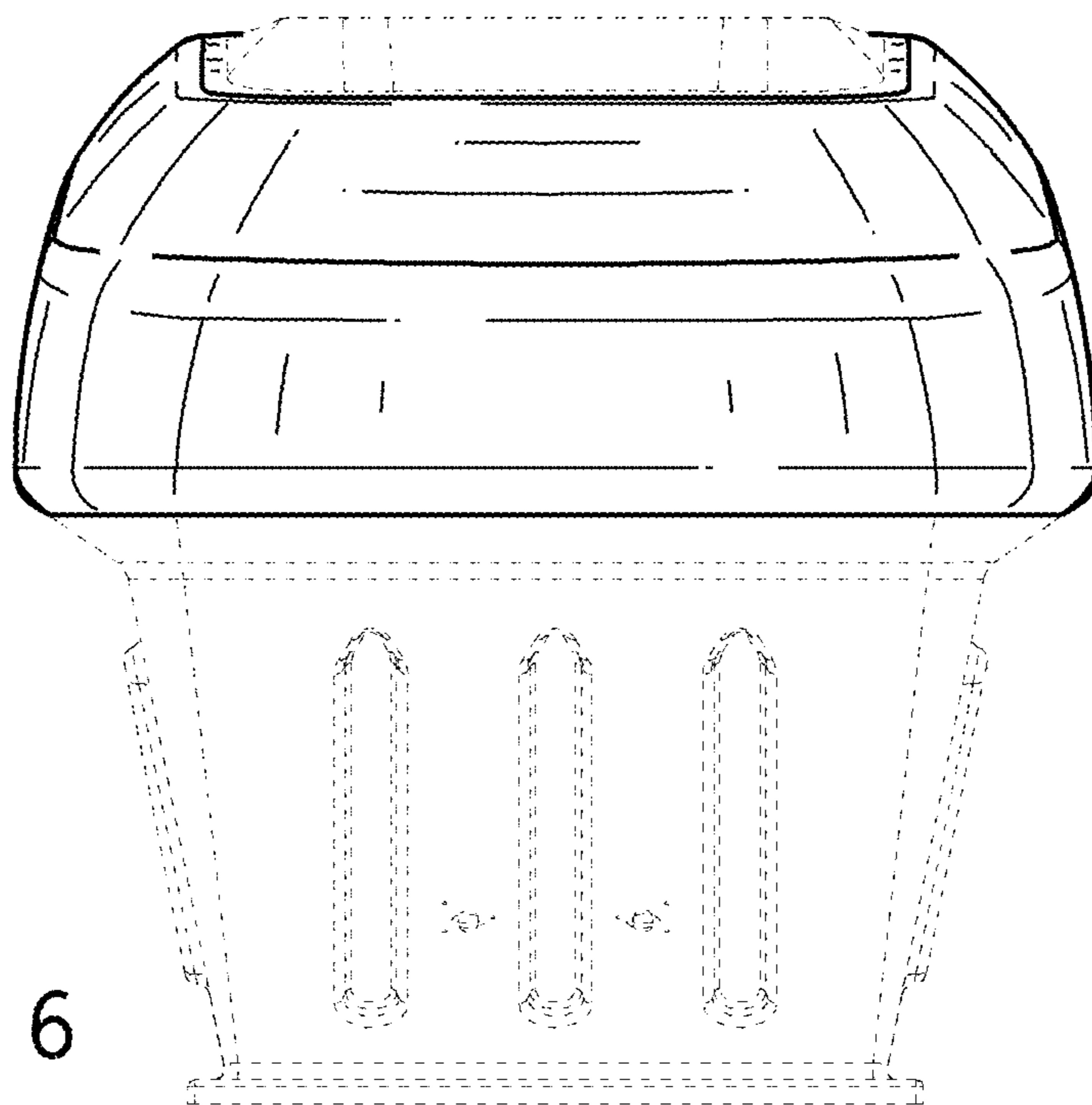


FIG. 6

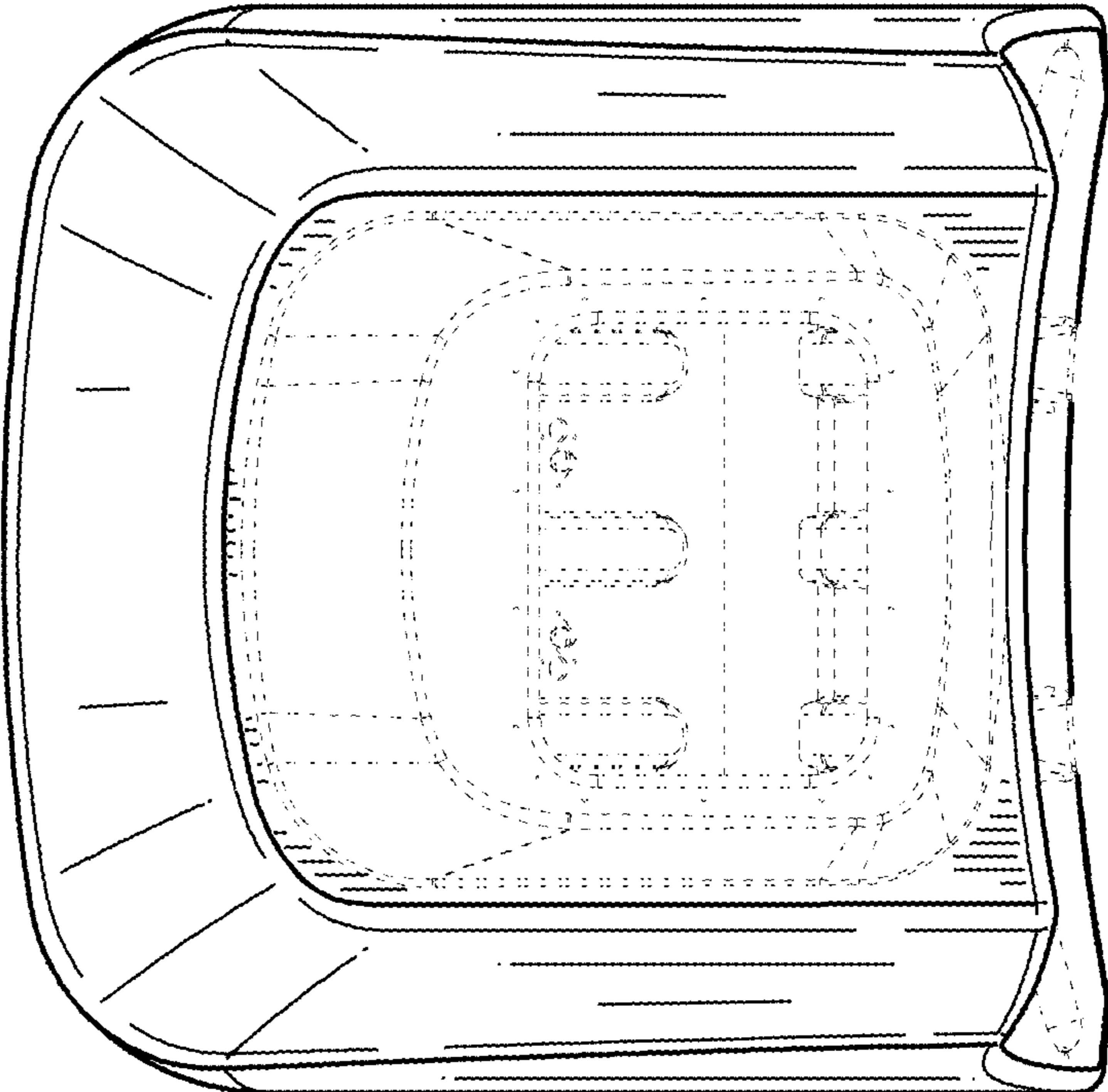


FIG. 7

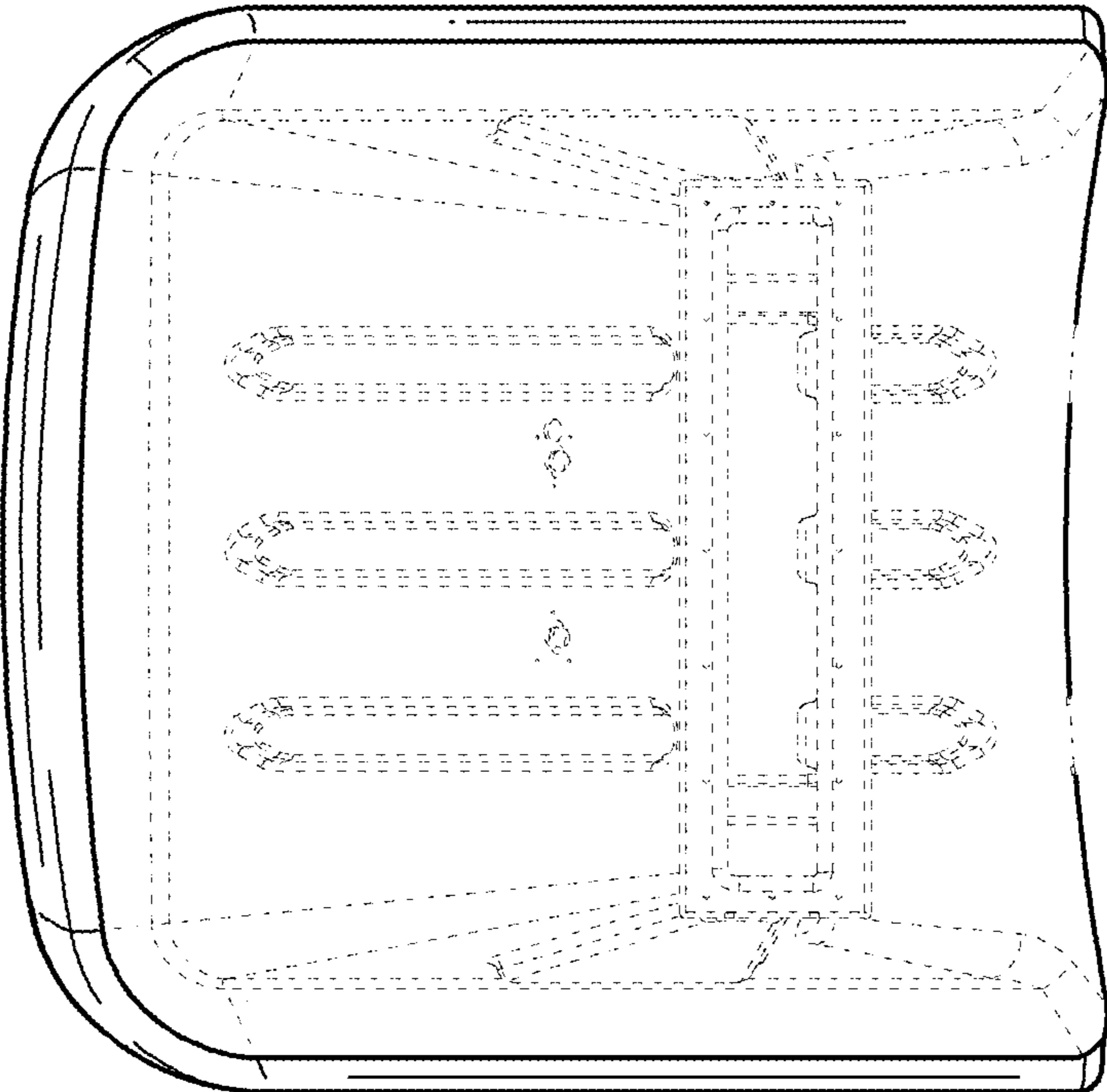


FIG. 8