



US00D730949S

(12) **United States Design Patent**
Thompson et al.

(10) **Patent No.:** **US D730,949 S**
(45) **Date of Patent:** **** Jun. 2, 2015**

(54) **STORAGE TANK FOR AN AGRICULTURAL IMPLEMENT**

(71) Applicant: **CNH Industrial Canada, Ltd.**,
Saskatoon (CA)

(72) Inventors: **Dennis George Thompson**, Saskatoon (CA); **Darwin L. Zacharias**, Saskatoon (CA); **Jared S. Wright**, Saskatoon (CA); **Douglas Vern Montgomery**, Downers Grove, IL (US); **Russell Alan Meyer**, Crystal Lake, IL (US); **Aaron Roland Richard**, Berwyn, IL (US)

(73) Assignee: **CNH Industrial Canada, Ltd.**,
Saskatoon (CA)

(**) Term: **14 Years**

(21) Appl. No.: **29/508,206**

(22) Filed: **Nov. 4, 2014**

(51) **LOC (10) Cl.** **15-03**

(52) **U.S. Cl.**
USPC **D15/28**

(58) **Field of Classification Search**
USPC D15/10, 13-17, 28, 21, 27; D12/218;
D23/200, 202, 213; 239/683, 687, 72,
239/289, 722; 414/725, 912; 37/442, 403;
111/118; 137/544; 220/587, 565,
220/567.1; 210/532.2; 123/563; 222/185.1,
222/608

See application file for complete search history.

(56) **References Cited**

U.S. PATENT DOCUMENTS

D327,942 S * 7/1992 Whitfield D23/202
D333,476 S * 2/1993 Gingrich D15/13
D425,915 S * 5/2000 Truan et al. D15/13
D427,206 S * 6/2000 Johnson et al. D15/28
6,099,013 A * 8/2000 Stoss 280/407
D523,447 S * 6/2006 Dixon D15/13
D527,789 S * 9/2006 Thompson et al. D23/202
7,150,419 B1 * 12/2006 Tomlonovic et al. 239/722

D612,448 S * 3/2010 Richardson D23/202
7,694,638 B1 * 4/2010 Riewerts et al. 111/118
D647,168 S * 10/2011 Lerner et al. D23/202
D647,169 S * 10/2011 Leonard et al. D23/202
D647,170 S * 10/2011 Hayslip et al. D23/202
D669,099 S * 10/2012 Ringer et al. D15/28
D669,100 S * 10/2012 Ringer et al. D15/28
D687,866 S * 8/2013 Thompson et al. D15/28
D687,867 S * 8/2013 Thompson et al. D15/28
D690,740 S * 10/2013 Gonzales et al. D15/28
D690,741 S * 10/2013 Gonzales et al. D15/28
D693,856 S * 11/2013 Thompson et al. D15/28
D708,649 S * 7/2014 Rollenhagen et al. D15/28
D713,424 S * 9/2014 Gonzales et al. D15/28
2,950,820 A1 11/2014 Thompson
2,950,821 A1 11/2014 Wright
2,950,822 A1 11/2014 Thompson
2,950,823 A1 11/2014 Thompson
2,950,824 A1 11/2014 Thompson
2011/0147497 A1 * 6/2011 Hiddema 239/722
2012/0032005 A1 * 2/2012 McMahon et al. 239/722
2014/0060403 A1 * 3/2014 Blunier et al. 111/118
2014/0060404 A1 * 3/2014 Blunier 111/119

* cited by examiner

Primary Examiner — Mark Goodwin

(74) *Attorney, Agent, or Firm* — Fletcher Yoder, P.C.

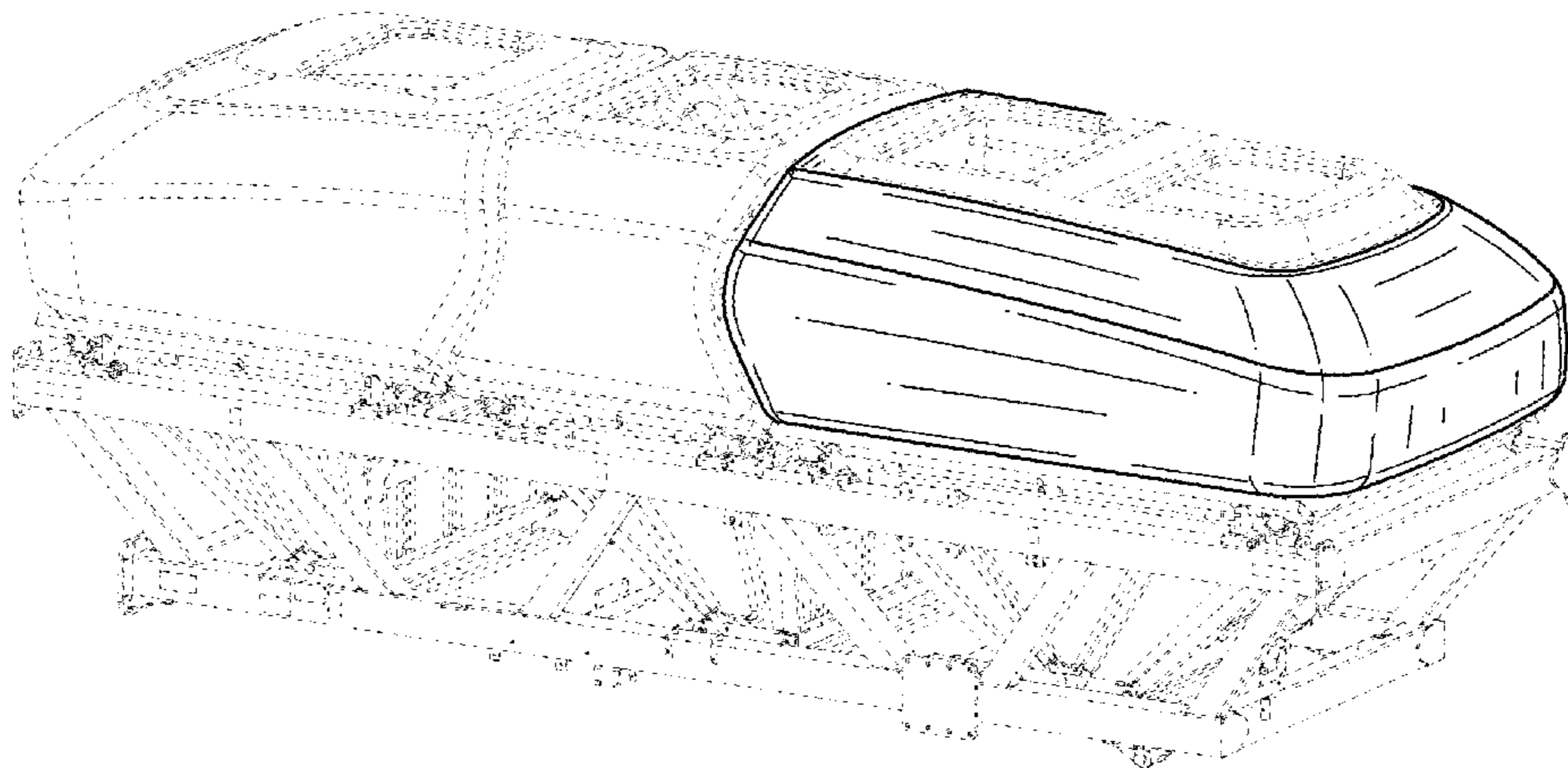
(57) **CLAIM**

The ornamental design for a storage tank for an agricultural implement, substantially as shown and described.

DESCRIPTION

FIG. 1 is a perspective view of a storage tank for an agricultural implement showing our new design in use condition; FIG. 2 is a perspective view thereof; FIG. 3 is a left side view thereof; FIG. 4 is a right side view thereof; FIG. 5 is a front view thereof; FIG. 6 is a back view thereof; FIG. 7 is a top view thereof; and, FIG. 8 is a bottom view thereof. Phantom lining, where utilized, is for illustrative purposes only and forms no part of the claimed design.

1 Claim, 5 Drawing Sheets



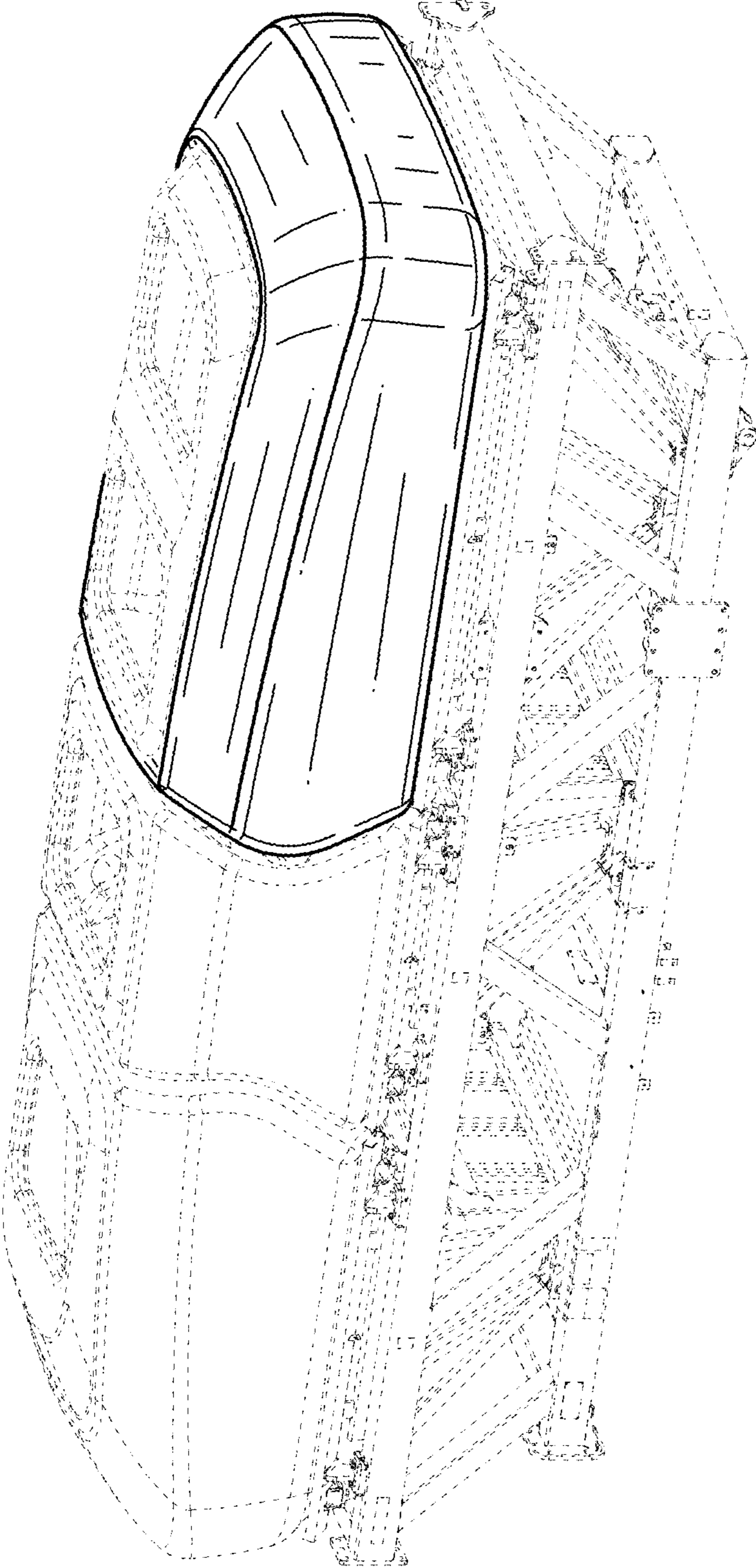


FIG. 1

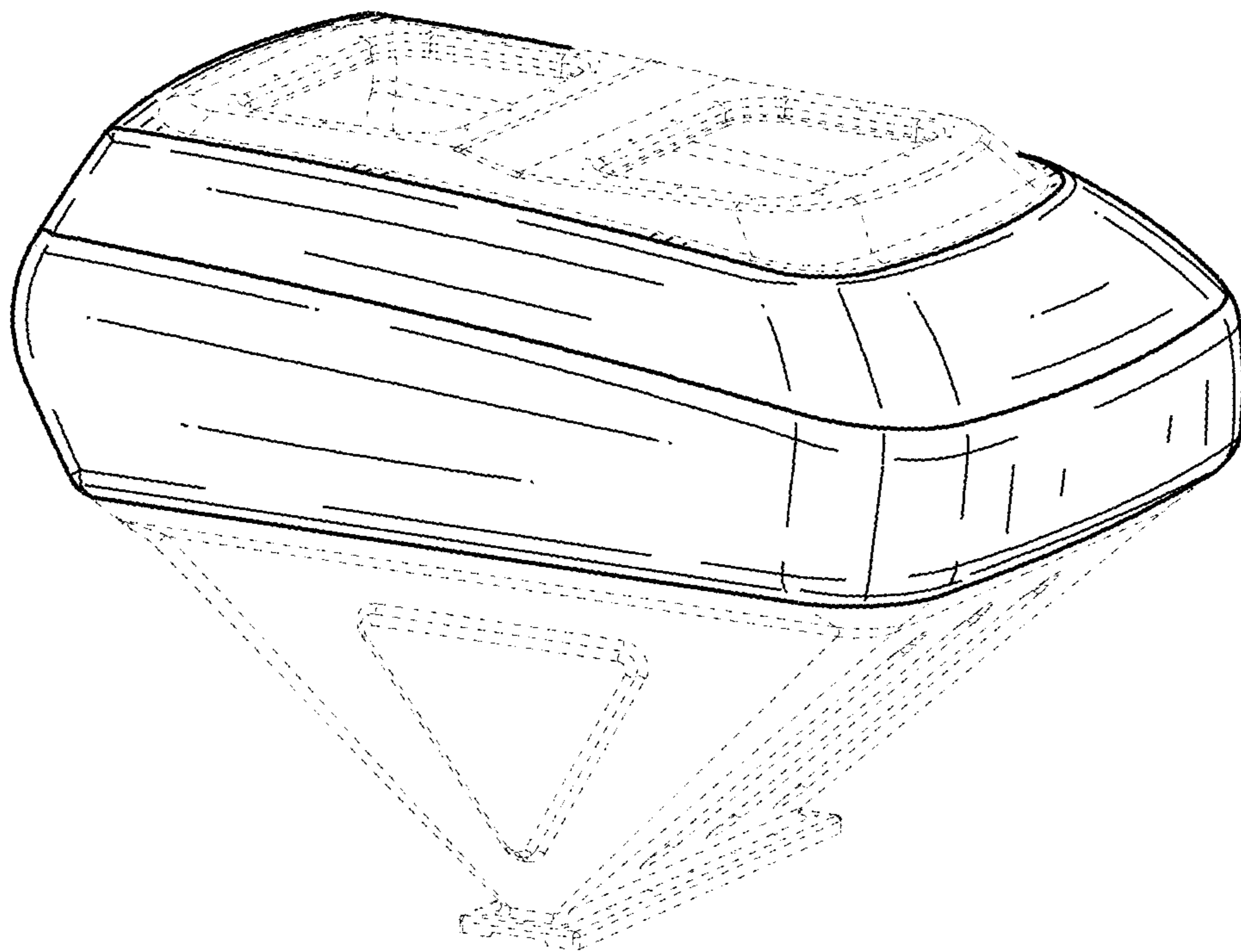


FIG. 2

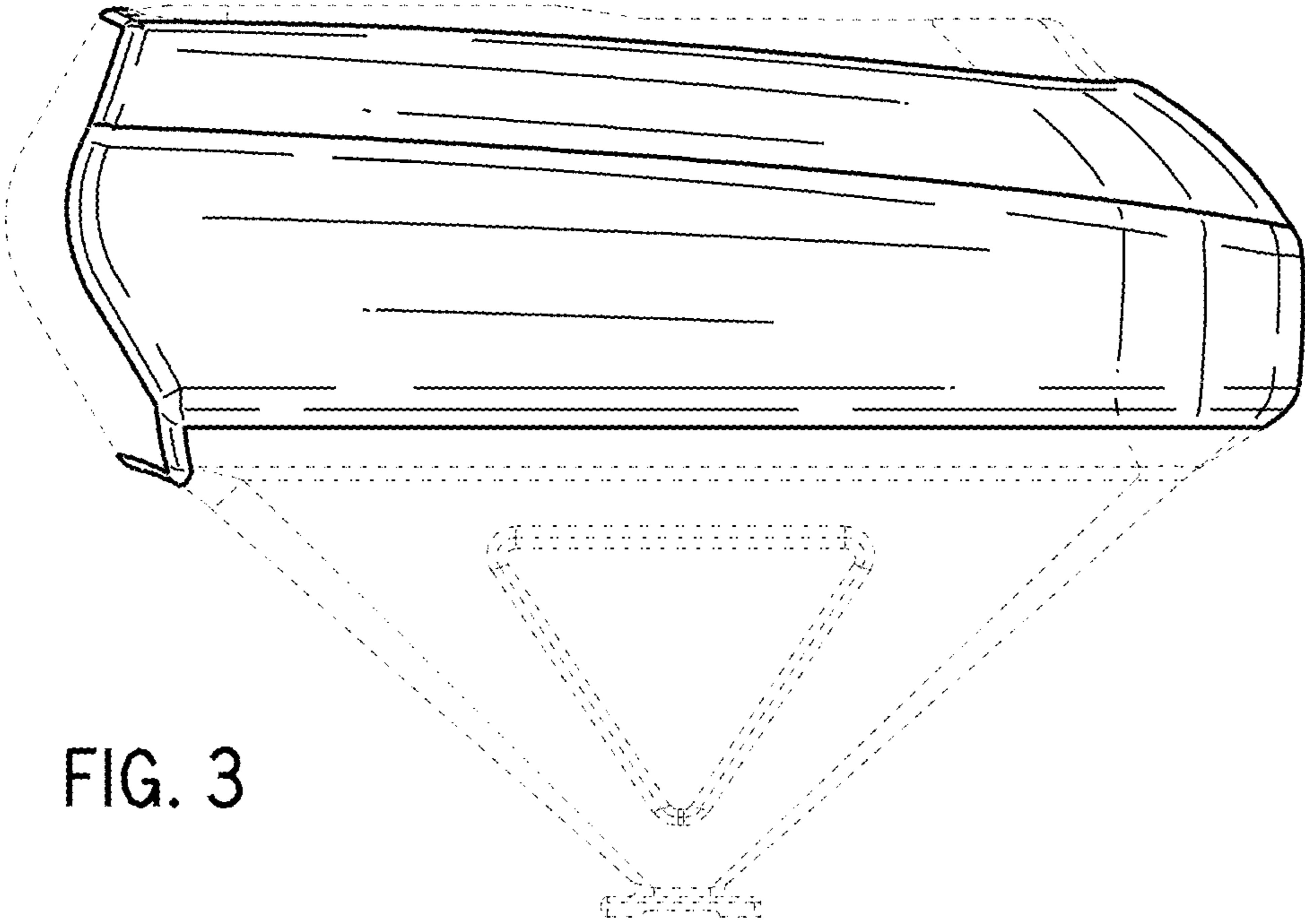


FIG. 3

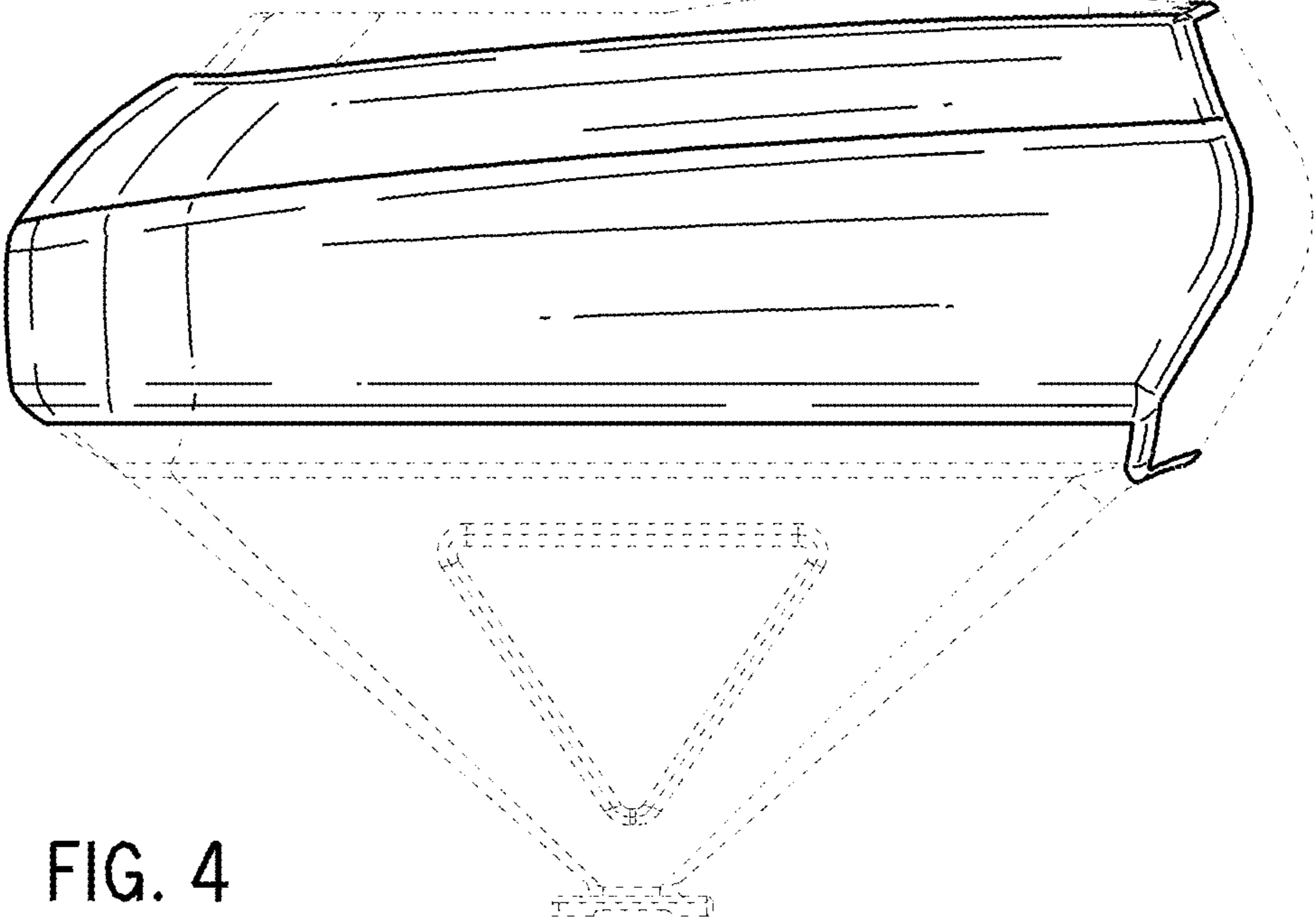


FIG. 4

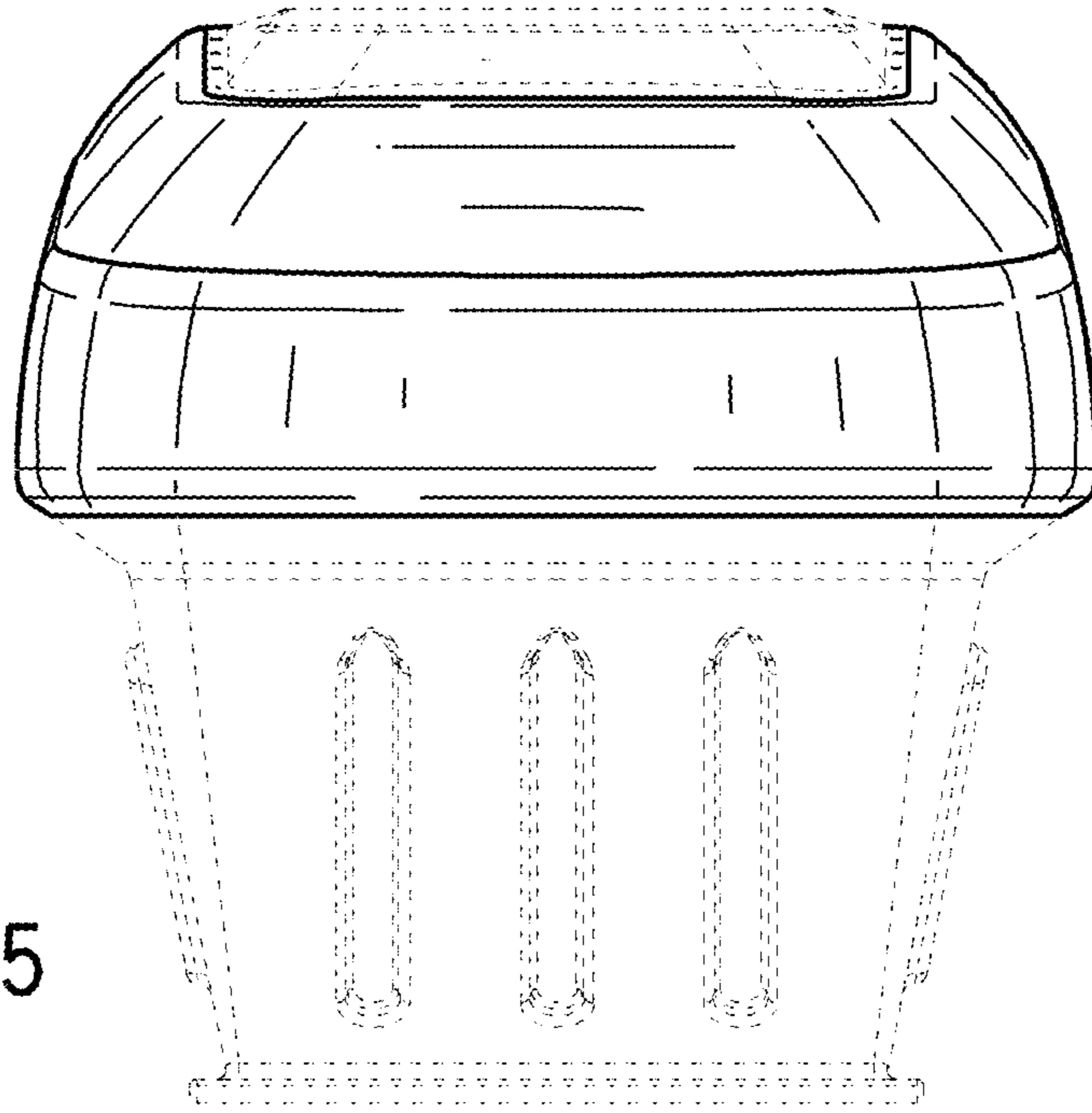


FIG. 5

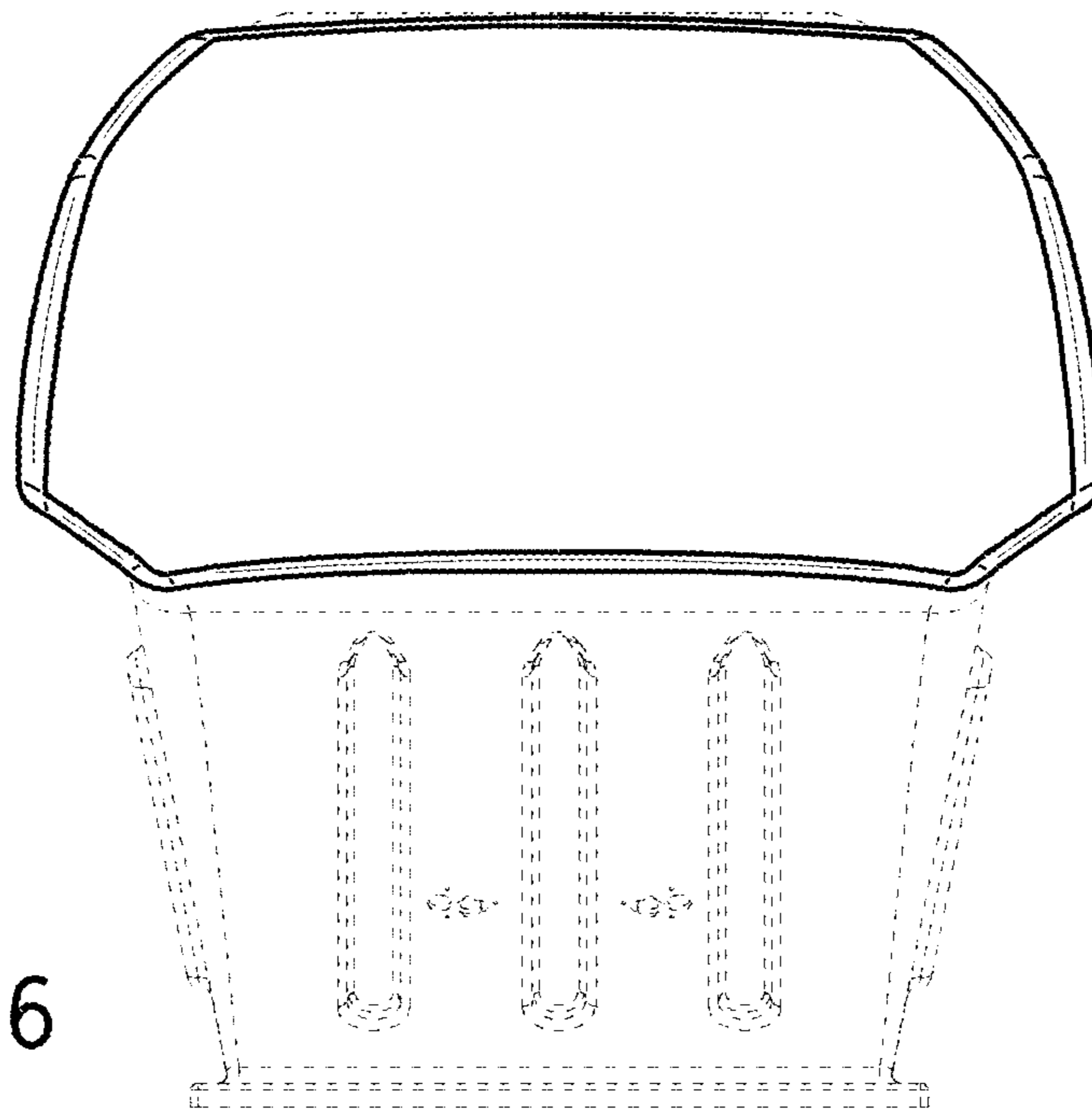


FIG. 6

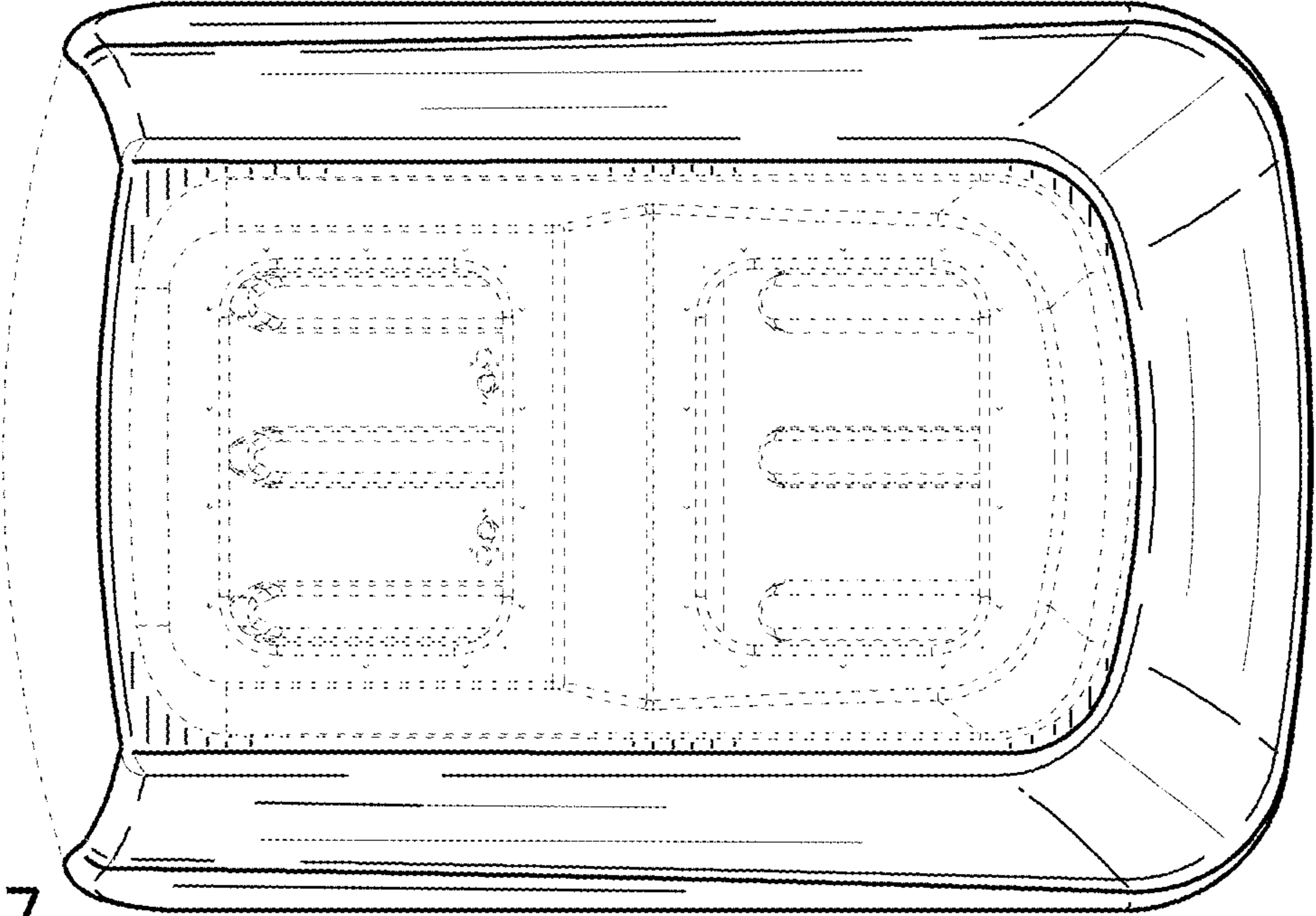


FIG. 7

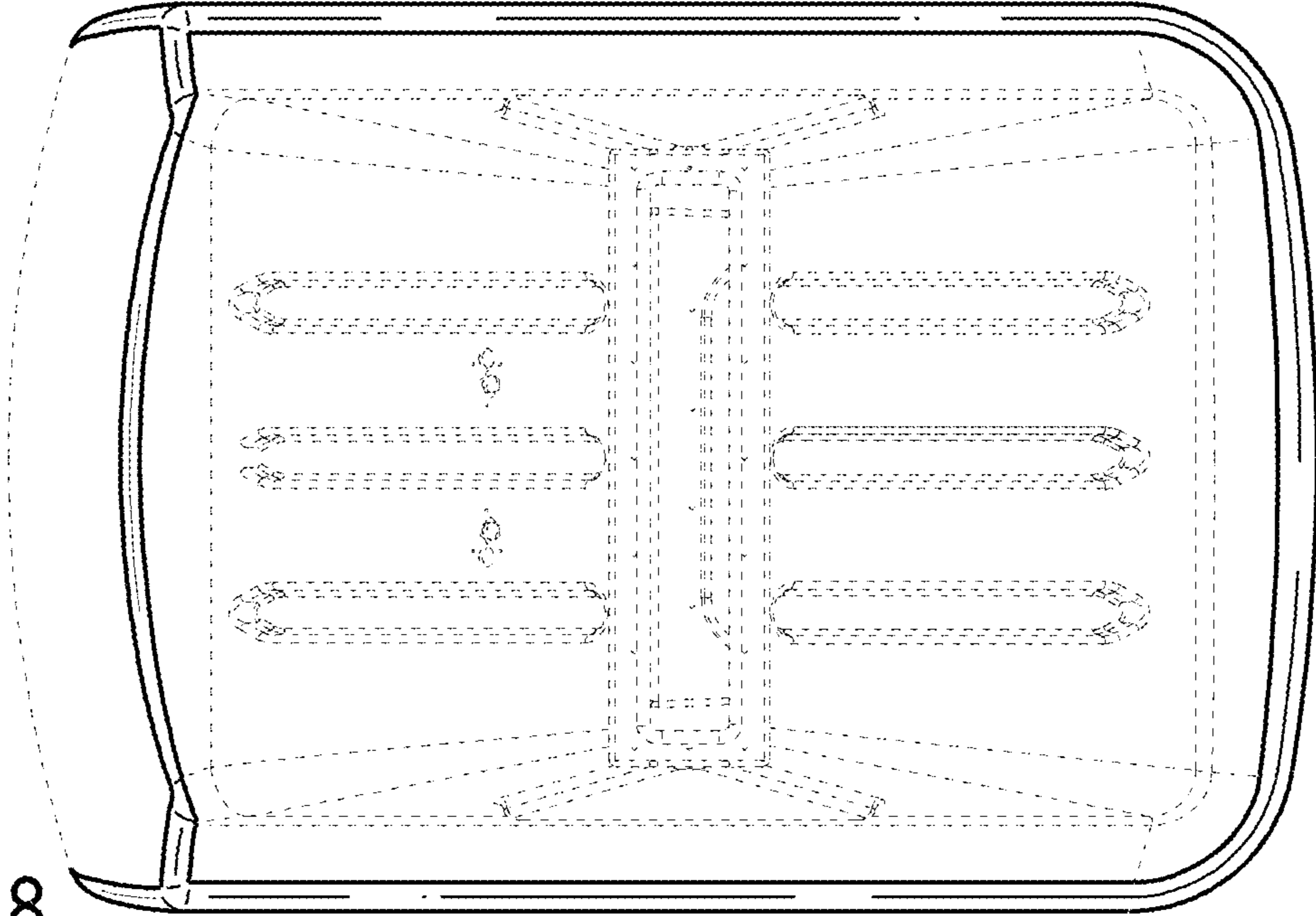


FIG. 8