

US00D730948S

(12) **United States Design Patent**
Higuchi et al.

(10) **Patent No.:** **US D730,948 S**
(45) **Date of Patent:** **** Jun. 2, 2015**

(54) **CONSOLE BOX FOR CONSTRUCTION MACHINE**

(71) Applicant: **KOBELCO CONSTRUCTION MACHINERY CO., LTD.**, Hiroshima-shi, Hiroshima (JP)

(72) Inventors: **Fumikazu Higuchi**, Hiroshima (JP); **Masaaki Murakami**, Hiroshima (JP); **Koji Fujikawa**, Hiroshima (JP); **Masaru Ito**, Hiroshima (JP)

(73) Assignee: **KOBELCO CONSTRUCTION MACHINERY CO., LTD.**, Hiroshima (JP)

(**) Term: **14 Years**

(21) Appl. No.: **29/497,332**

(22) Filed: **Jul. 23, 2014**

(30) **Foreign Application Priority Data**

Jan. 24, 2014 (JP) 2014-001296

(51) **LOC (10) Cl.** **15-03**

(52) **U.S. Cl.**
USPC **D15/28**

(58) **Field of Classification Search**
USPC D15/17, 22-26, 28, 31, 33; D12/192, D12/419, 421; 180/69.2, 69.21, 69.24, 90; 296/70, 32, 72, 191, 192, 193.03
See application file for complete search history.

(56) **References Cited**

U.S. PATENT DOCUMENTS

4,478,308 A * 10/1984 Klaassen 180/326
D420,685 S * 2/2000 Muranen D15/30
D432,491 S * 10/2000 Sacco et al. D12/419
6,148,946 A * 11/2000 Takahasi et al. 180/316
6,164,285 A * 12/2000 Garberg et al. 180/326
6,290,286 B1 * 9/2001 Murakami et al. 296/190.09

6,352,133 B1 * 3/2002 Ojima 180/326
D463,459 S * 9/2002 Tamaru et al. D15/28
D513,415 S * 1/2006 Klein et al. D15/30
D516,096 S * 2/2006 Bergman et al. D15/28
D516,097 S * 2/2006 Bergman et al. D15/28
7,036,250 B2 * 5/2006 Dressler et al. 37/466
D532,427 S * 11/2006 Kim D15/28
D555,676 S * 11/2007 Haubrich et al. D15/28
7,395,894 B2 * 7/2008 Jang et al. 180/271
D593,134 S * 5/2009 Kuwae et al. D15/28
D599,829 S * 9/2009 Jorgensen et al. D15/28
D636,410 S * 4/2011 Ono et al. D15/28
D652,063 S * 1/2012 Takeuchi et al. D15/28
8,104,566 B2 * 1/2012 Harber et al. 180/315
D689,529 S * 9/2013 Hagura et al. D15/28
2005/0073184 A1 * 4/2005 Tsuji et al. 297/284.1
2008/0184841 A1 * 8/2008 Blind et al. 74/491
2012/0104798 A1 * 5/2012 Takeda et al. 296/190.08

* cited by examiner

Primary Examiner — Mark Goodwin

(74) *Attorney, Agent, or Firm* — Birch, Stewart, Kolasch & Birch, LLP

(57) **CLAIM**

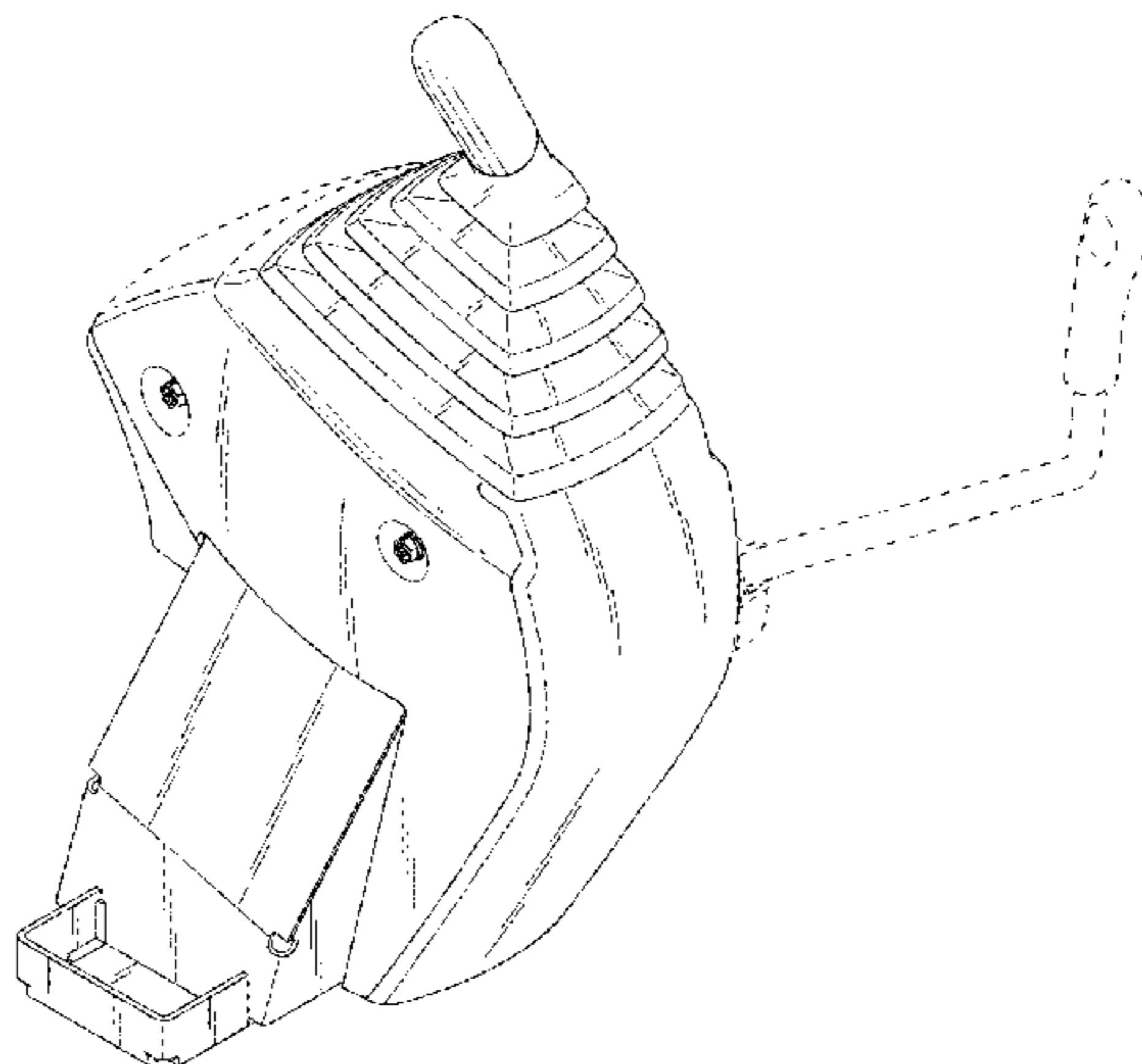
The ornamental design for a console box for construction machine, as shown and described.

DESCRIPTION

FIG. 1 is a first perspective view of a console box for construction machine showing our new design; FIG. 2 is a second perspective view thereof; FIG. 3 is a front view thereof; FIG. 4 is a rear view thereof; FIG. 5 is a left side view thereof; FIG. 6 is a right side view thereof; FIG. 7 is a top view thereof; and, FIG. 8 is a bottom view thereof.

The portion shown by broken lines is for illustrative purposes only and forms no part of the claimed design. The dashed lines show a borderline between the claimed design and other portion.

1 Claim, 8 Drawing Sheets



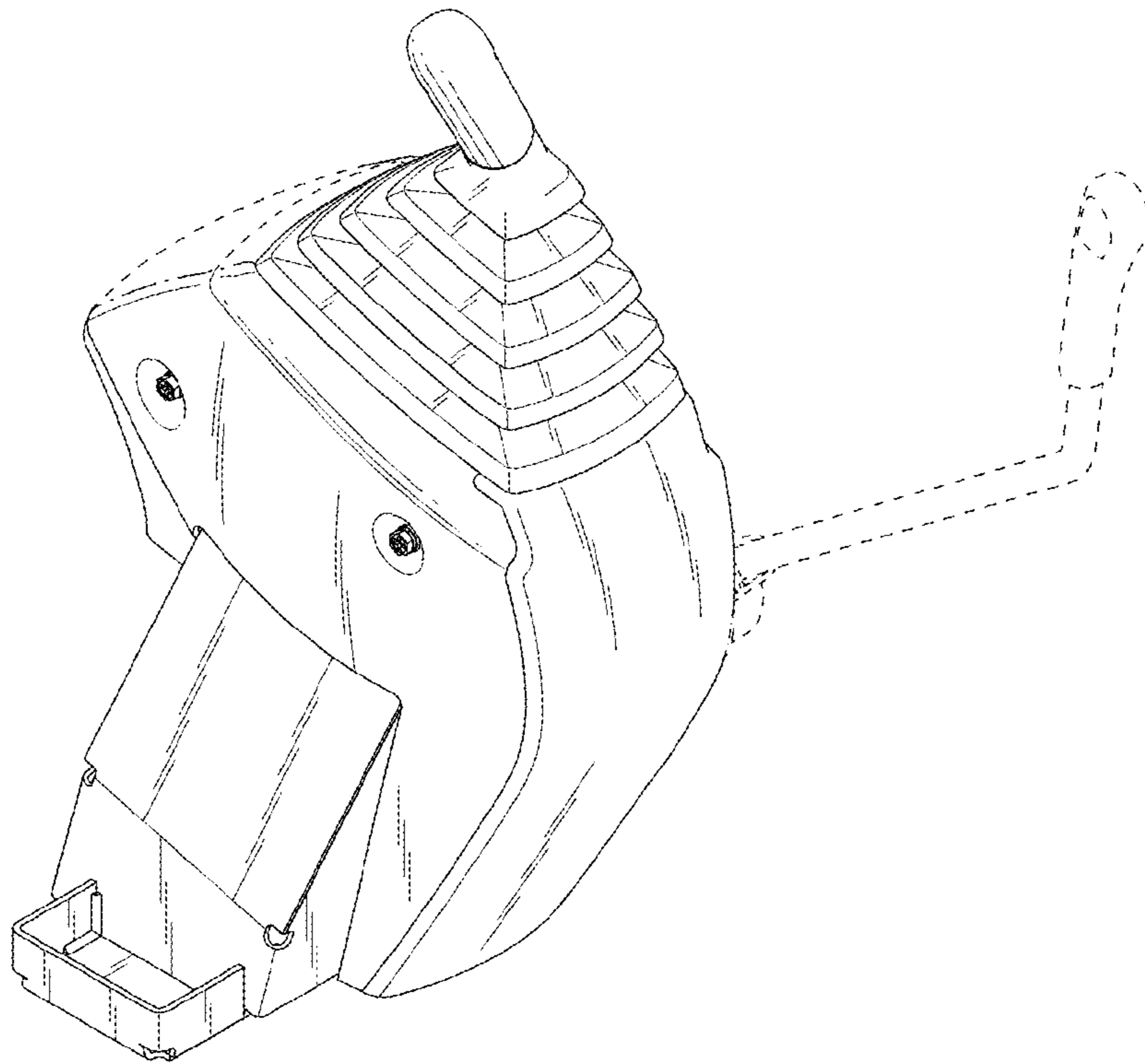


FIG.1

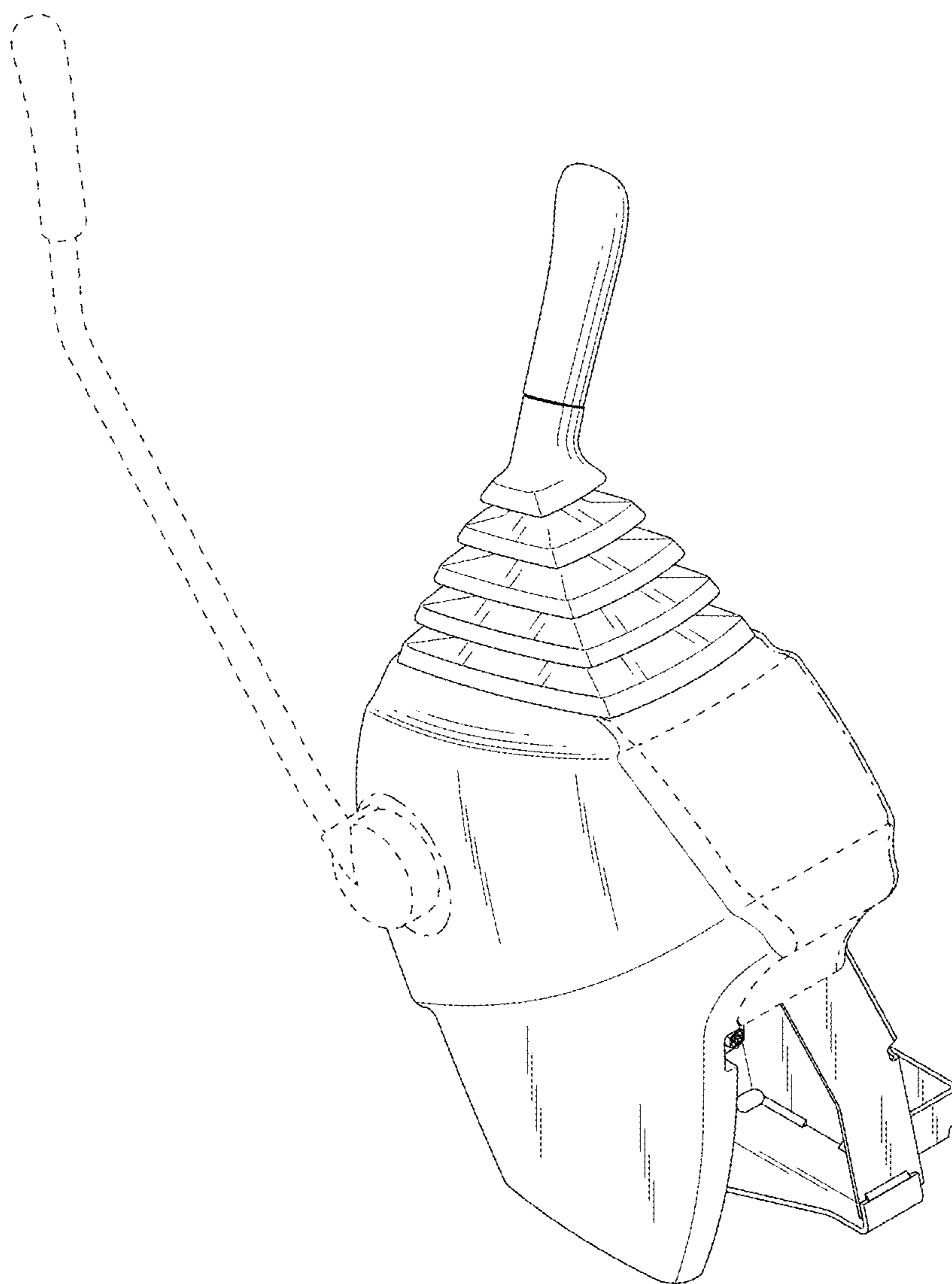


FIG.2

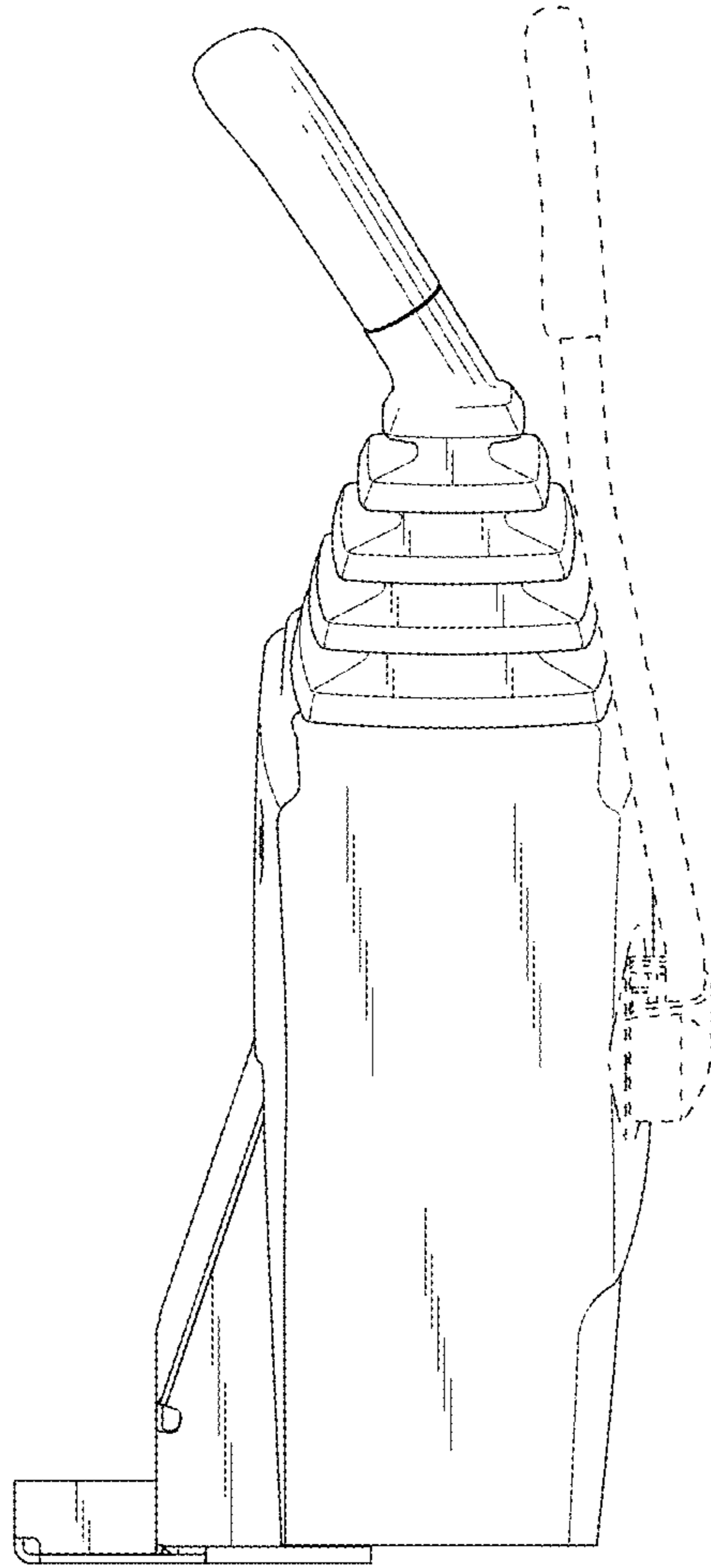


FIG.3

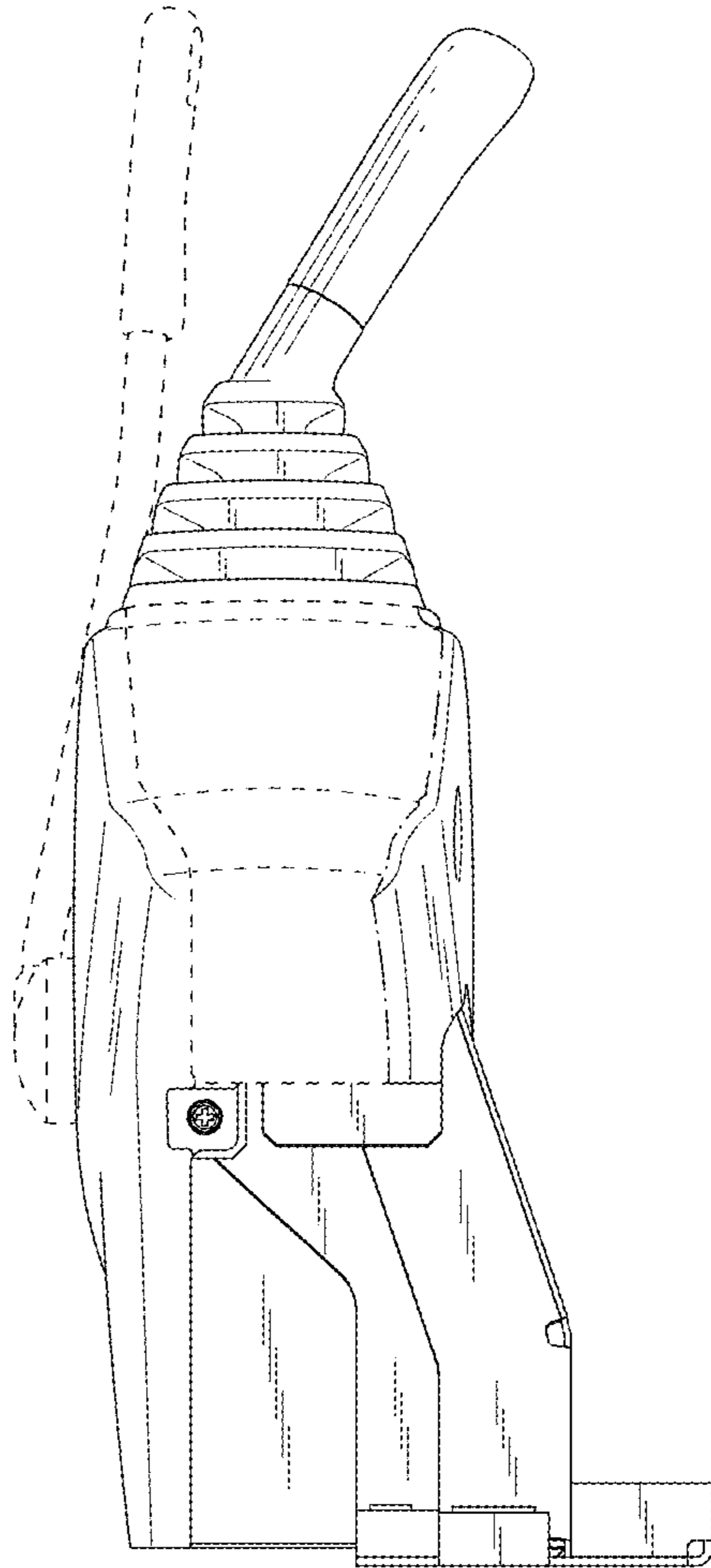


FIG.4

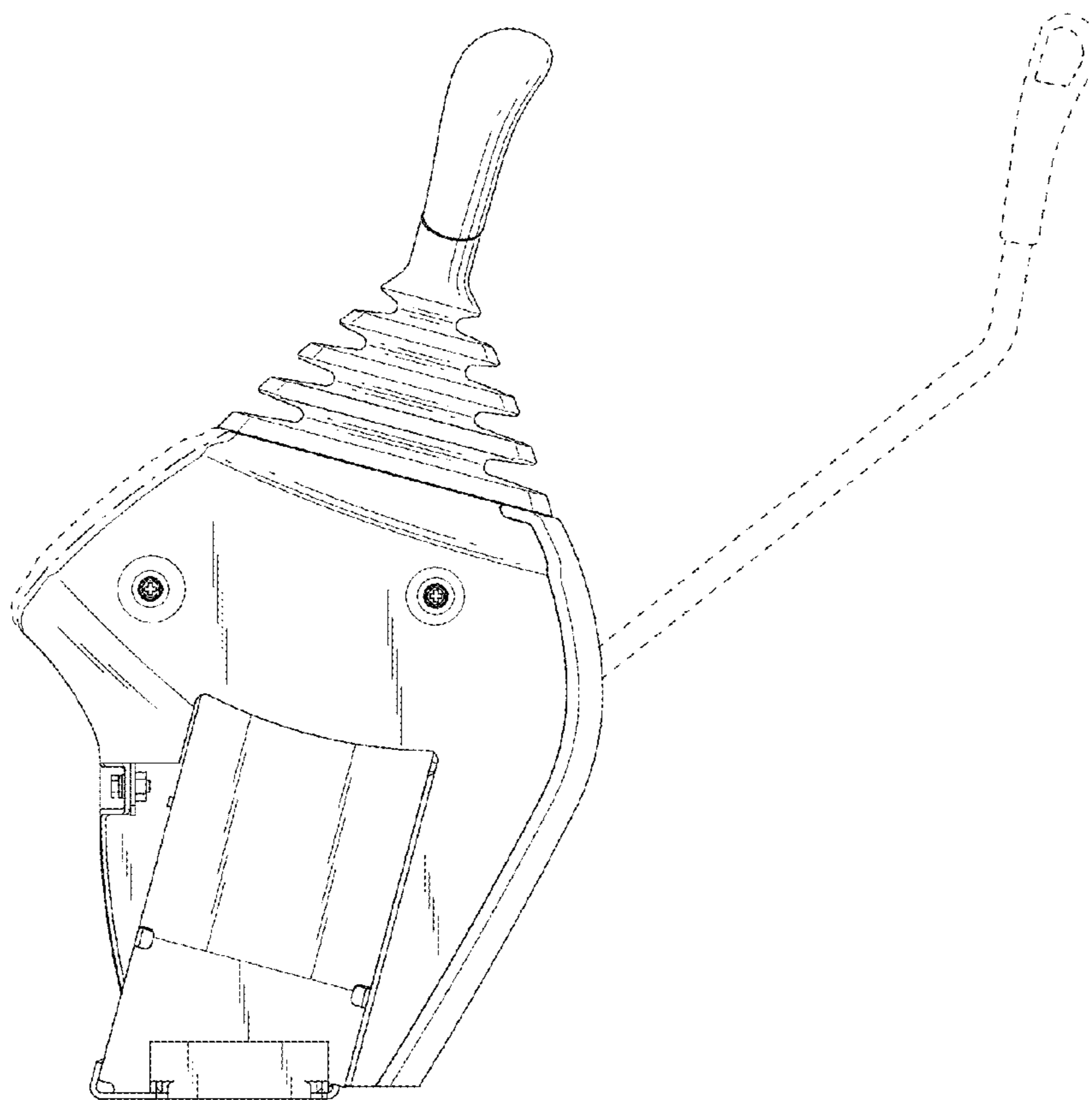


FIG.5

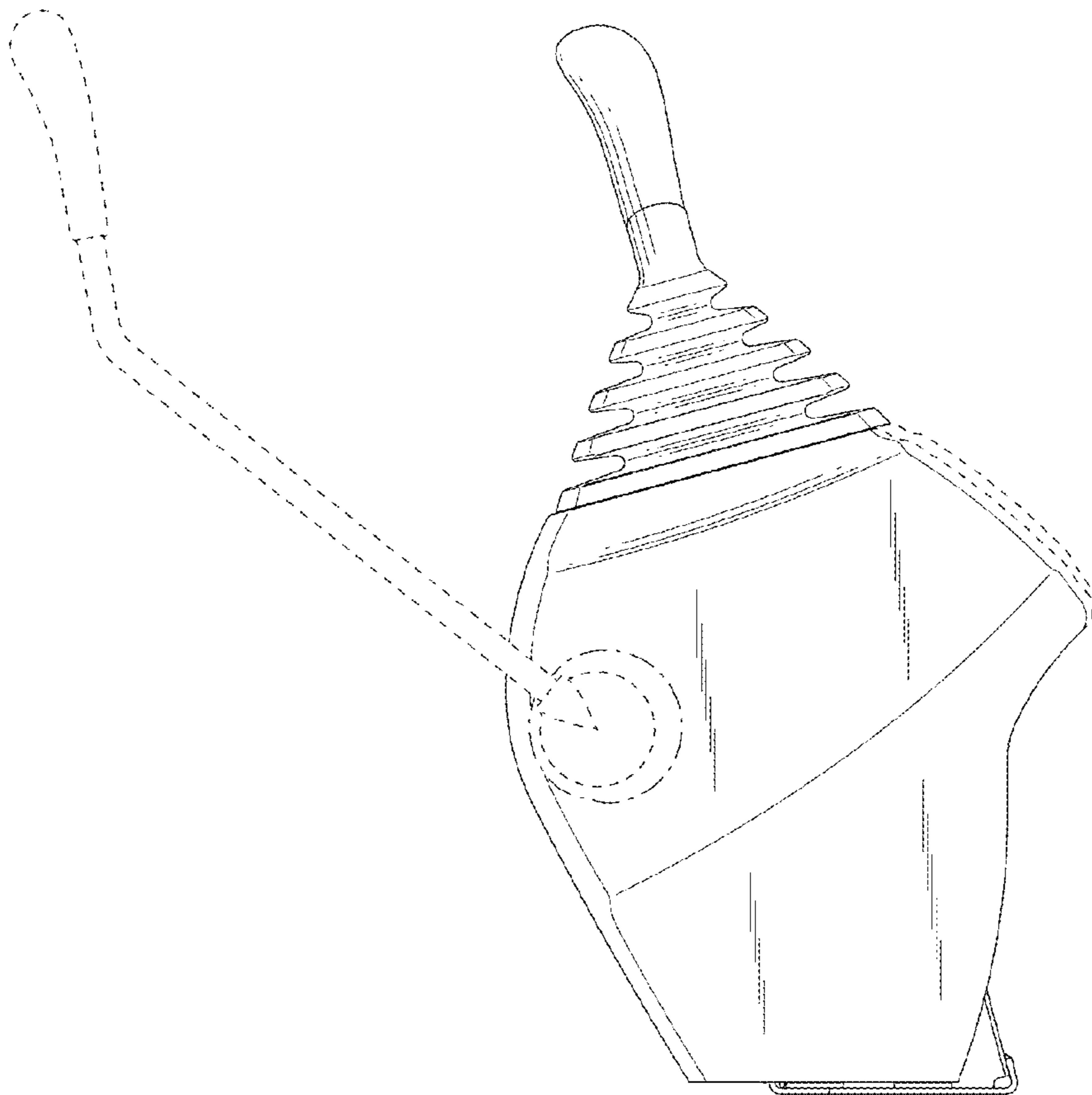


FIG.6

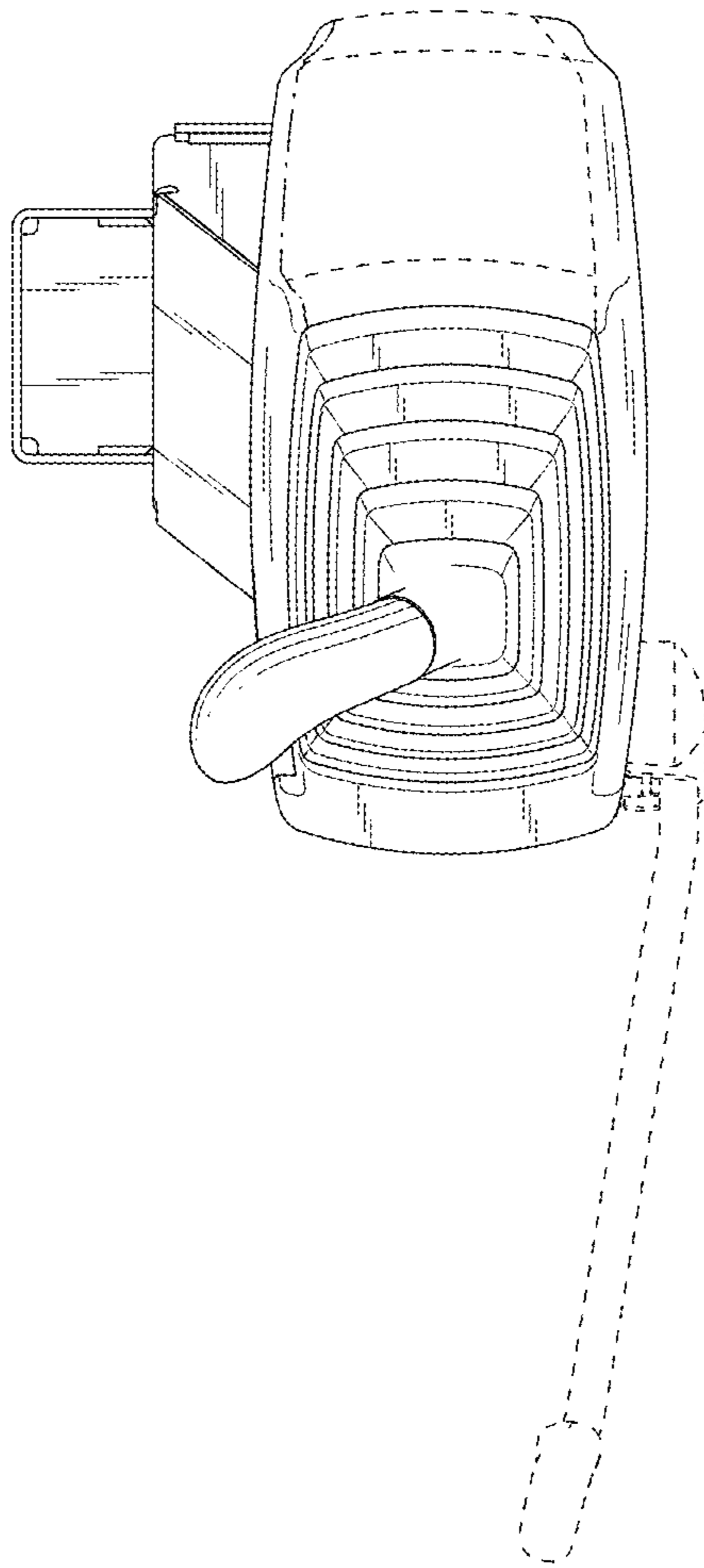


FIG.7

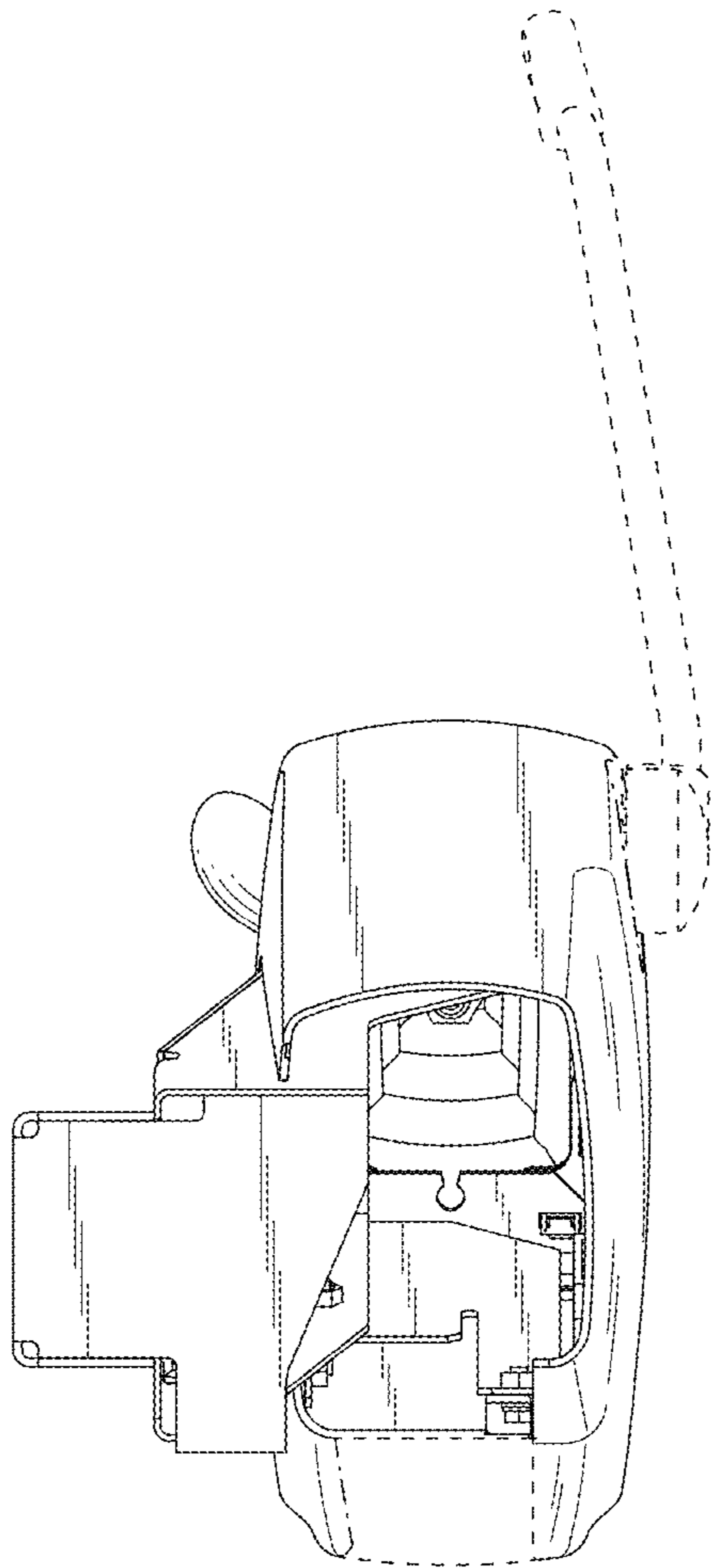


FIG.8