



US00D730946S

(12) **United States Design Patent**
White

(10) **Patent No.:** **US D730,946 S**

(45) **Date of Patent:** **** Jun. 2, 2015**

(54) **MOUNT FOR AN EXCAVATION CONTROL UNIT**

(71) Applicant: **Franklin B White**, Ft. Pierce, FL (US)

(72) Inventor: **Franklin B White**, Ft. Pierce, FL (US)

(**) Term: **14 Years**

(21) Appl. No.: **29/463,783**

(22) Filed: **Mar. 5, 2014**

(51) **LOC (10) Cl.** **15-09**

(52) **U.S. Cl.**
USPC **D15/28**

(58) **Field of Classification Search**
USPC D15/5, 10-33, 122-143; 428/298.1;
D8/61-71; D24/147; 356/4.01; 52/118,
52/114, 111, 212; 318/277; 254/272;
474/155
CPC A01B 59/002; A01B 59/042; B21D 24/08;
B21D 24/14

See application file for complete search history.

(56) **References Cited**

U.S. PATENT DOCUMENTS

D26,076 S *	9/1896	McKenney	D15/136
D26,077 S *	9/1896	Mckenney	D15/136
D137,180 S *	2/1944	Wood	D8/71
D225,568 S *	12/1972	McCay	D15/199
D255,576 S *	6/1980	Dahlqvist	D15/138
D255,577 S *	6/1980	Dahlqvist	D15/138
4,261,438 A	4/1981	Olson	187/227
4,357,785 A	11/1982	Eklund	52/632
D269,040 S *	5/1983	Deemer	D24/147
D269,519 S *	6/1983	Braun	D15/144
D291,087 S *	7/1987	Salmi et al.	D15/21
D297,803 S *	9/1988	Rooney	D8/70
D306,123 S *	2/1990	Ramsey	D8/14
D309,616 S *	7/1990	Carter et al.	D15/138
D324,225 S *	2/1992	Speer	D15/136
5,102,375 A	4/1992	Featherstone	474/155
5,139,464 A	8/1992	Lehnert	474/155
5,168,679 A	12/1992	Featherstone	52/118

D340,935 S *	11/1993	Morgan et al.	D15/138
D354,065 S *	1/1995	Hatcher	D15/139
D389,162 S *	1/1998	Stewart	D15/140
5,760,748 A	6/1998	Beckingham	343/765
5,786,854 A	7/1998	Slade et al.	348/373
5,826,847 A	10/1998	Warner et al.	248/354.1
D413,126 S *	8/1999	Warren et al.	D15/21
6,014,109 A	1/2000	Raby	343/765
D438,550 S *	3/2001	Uhlig et al.	D15/139
D458,285 S *	6/2002	Votruba et al.	D15/143
D460,769 S *	7/2002	Sollami	D15/140
D471,211 S *	3/2003	Sollami	D15/21
6,586,084 B1 *	7/2003	Paschke et al.	428/298.1
D488,170 S *	4/2004	Sollami	D15/21
D512,076 S *	11/2005	Wuest et al.	D15/28

(Continued)

Primary Examiner — Cynthia Ramirez

Assistant Examiner — Gino Colan

(74) *Attorney, Agent, or Firm* — David A. Burge

(57) **CLAIM**

I claim the ornamental design for a mount for an excavation control unit, as shown and described.

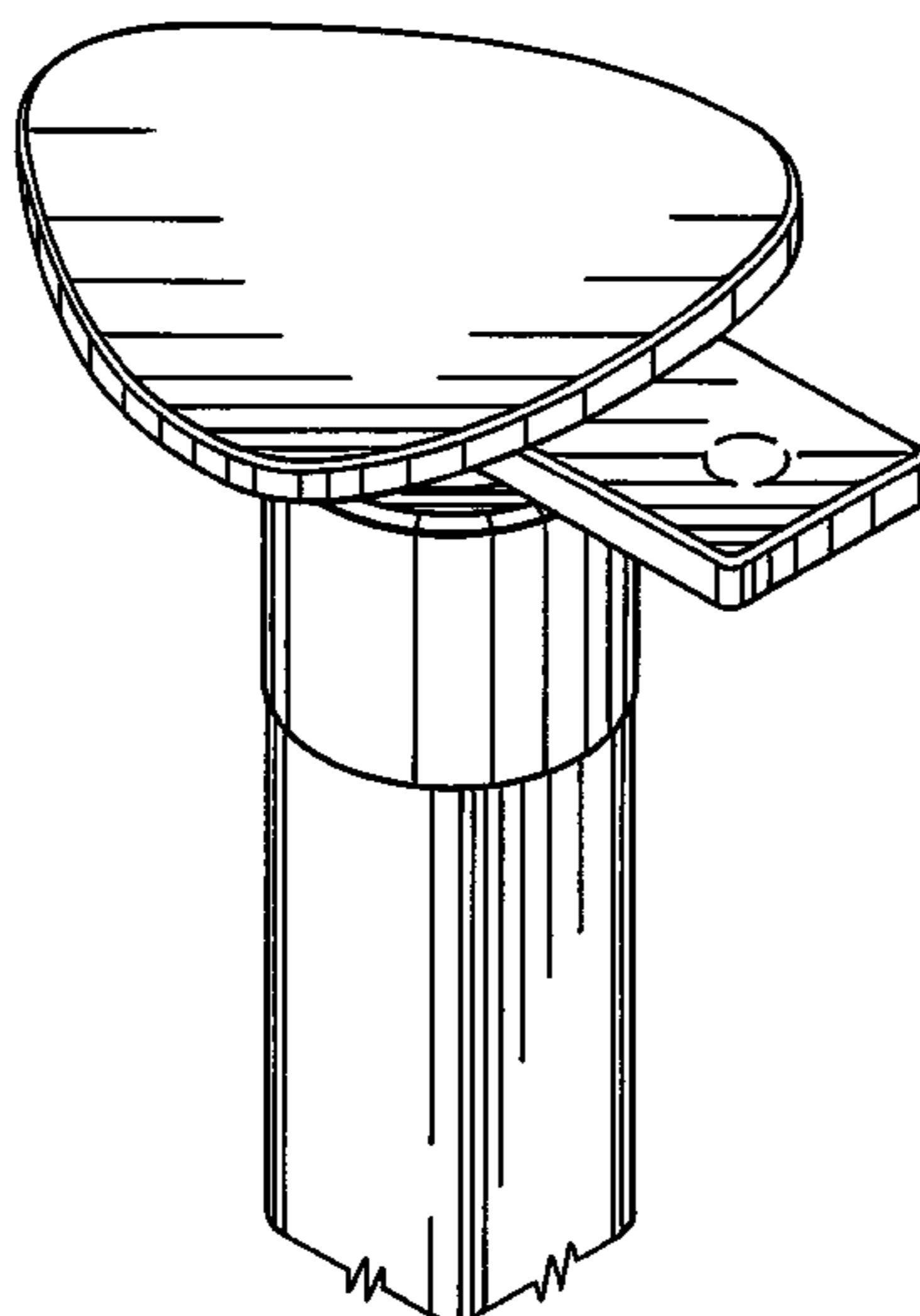
DESCRIPTION

FIG. 1 is a perspective view showing top, rear and right side side features of my new design;
FIG. 2 is a top plan view thereof;
FIG. 3 is a bottom plan view thereof;
FIG. 4 is a front elevation view thereof;
FIG. 5 is a rear elevation view thereof; and,
FIG. 6 is a right side view thereof, it being understood that a left side view would provide is a left to right reversed image of FIG. 5.

To the extent that broken lines are present in the drawings, they represent unclaimed subject matter and form no part of the present invention.

The mount for an excavation control unit is shown with a symbolic break in its length. The appearance of any portion of the article beyond the break lines forms no part of the claimed design.

1 Claim, 3 Drawing Sheets



(56)

References Cited

U.S. PATENT DOCUMENTS

7,048,257 B2 5/2006 Wentworth et al. 254/326
 D526,667 S * 8/2006 Sakamoto et al. D15/128
 D538,128 S * 3/2007 Watanabe D8/70
 D544,507 S * 6/2007 Crouch D15/140
 7,231,741 B2 6/2007 Norwood 52/118
 D558,241 S * 12/2007 Chiang D15/139
 D558,242 S * 12/2007 Chiang D15/139
 D579,033 S * 10/2008 Miller et al. D15/139
 D581,952 S * 12/2008 Hall et al. D15/21
 7,497,140 B2 3/2009 Blackwelder et al. 74/89.28
 D599,823 S * 9/2009 Tapper D15/5
 7,583,373 B2 9/2009 Schwarz 356/141.2
 7,624,967 B1 12/2009 Doeblner et al. 254/272
 D610,430 S * 2/2010 Fritz et al. D8/70
 D620,958 S * 8/2010 Tipton et al. D15/126

D620,962 S * 8/2010 Teed D15/143
 D622,744 S * 8/2010 Inagawa D15/138
 7,966,777 B2 6/2011 Douglas et al. 52/118
 D644,249 S * 8/2011 Tapper D15/5
 8,191,322 B2 6/2012 Liestenfeltz et al. 52/212
 8,234,823 B2 8/2012 McClure et al. 52/111
 8,237,306 B2 8/2012 Burgess et al. 307/10.1
 8,276,326 B2 10/2012 Lounis et al. 52/132.1
 8,288,973 B2 10/2012 Ford 318/277
 8,534,004 B2 9/2013 Wasson et al. 52/114
 8,650,783 B2 2/2014 Brown et al. 40/612
 8,661,744 B2 3/2014 Keller 52/118
 8,681,320 B2 3/2014 Day et al. 356/4.01
 D705,283 S * 5/2014 Kenji D15/140
 D721,748 S * 1/2015 Tokura D15/140
 D722,091 S * 2/2015 Tokura D15/140
 D723,897 S * 3/2015 Lenyo et al. D8/70

* cited by examiner

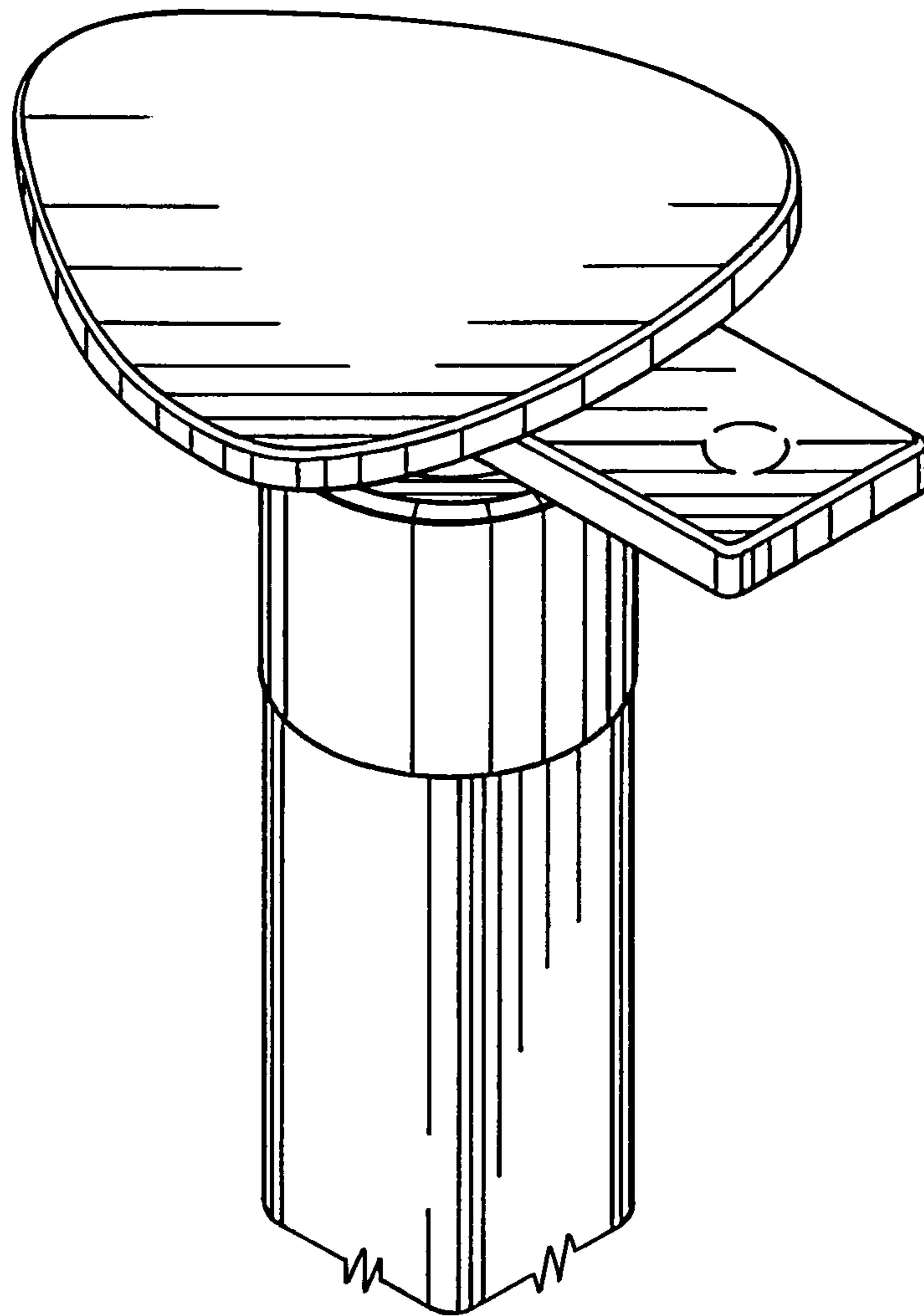


FIG. 1

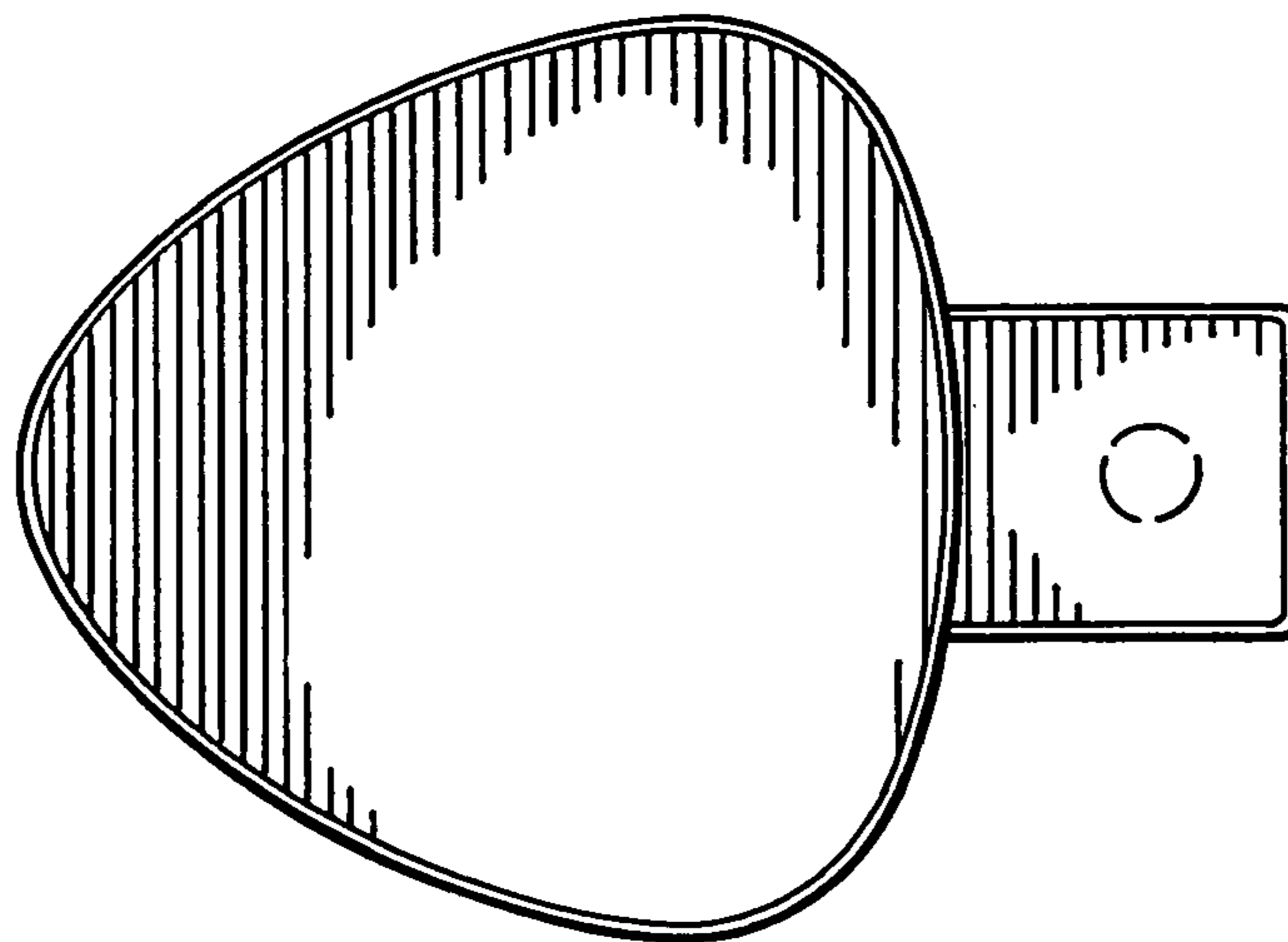


FIG. 2

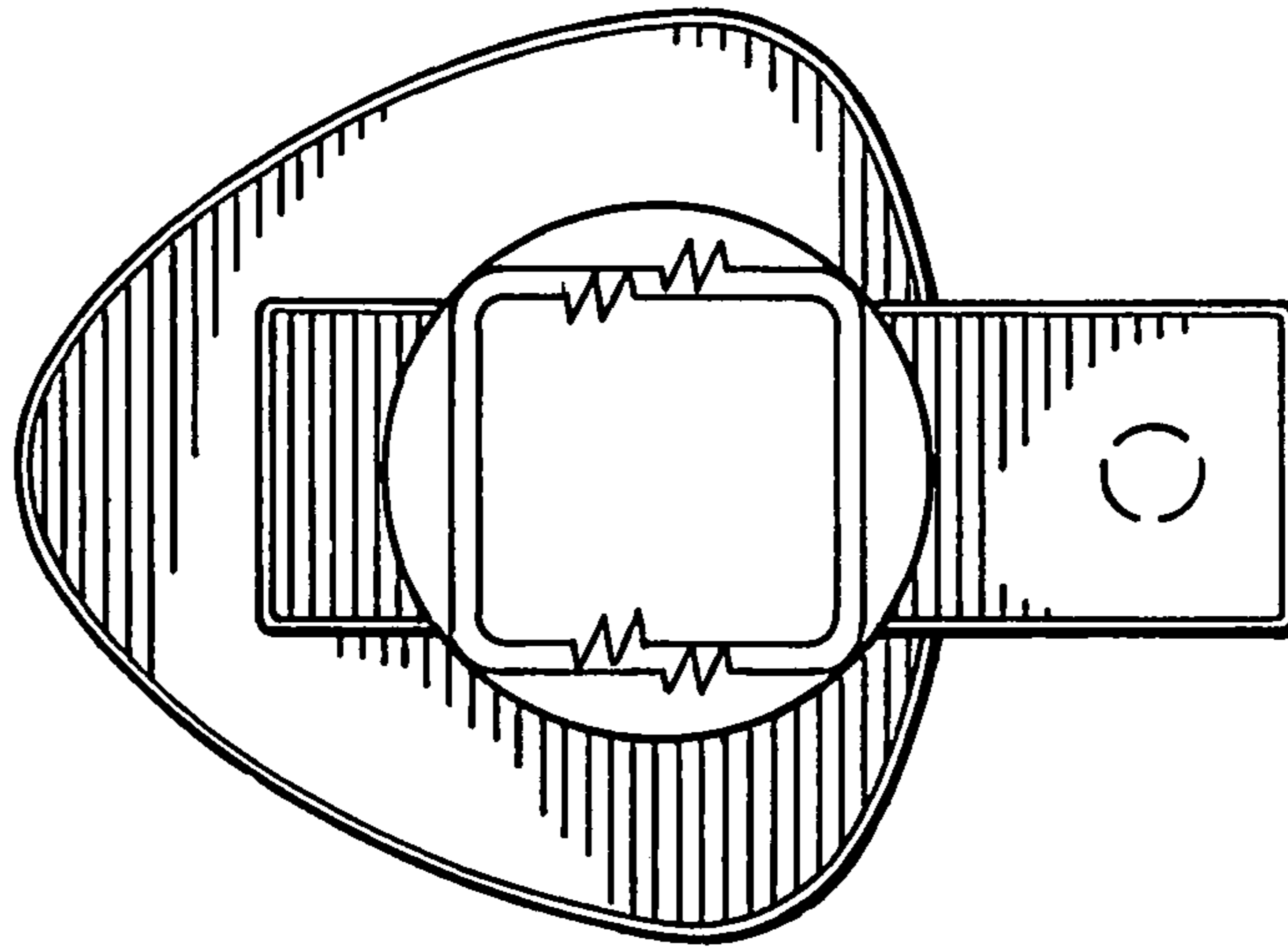


FIG. 3

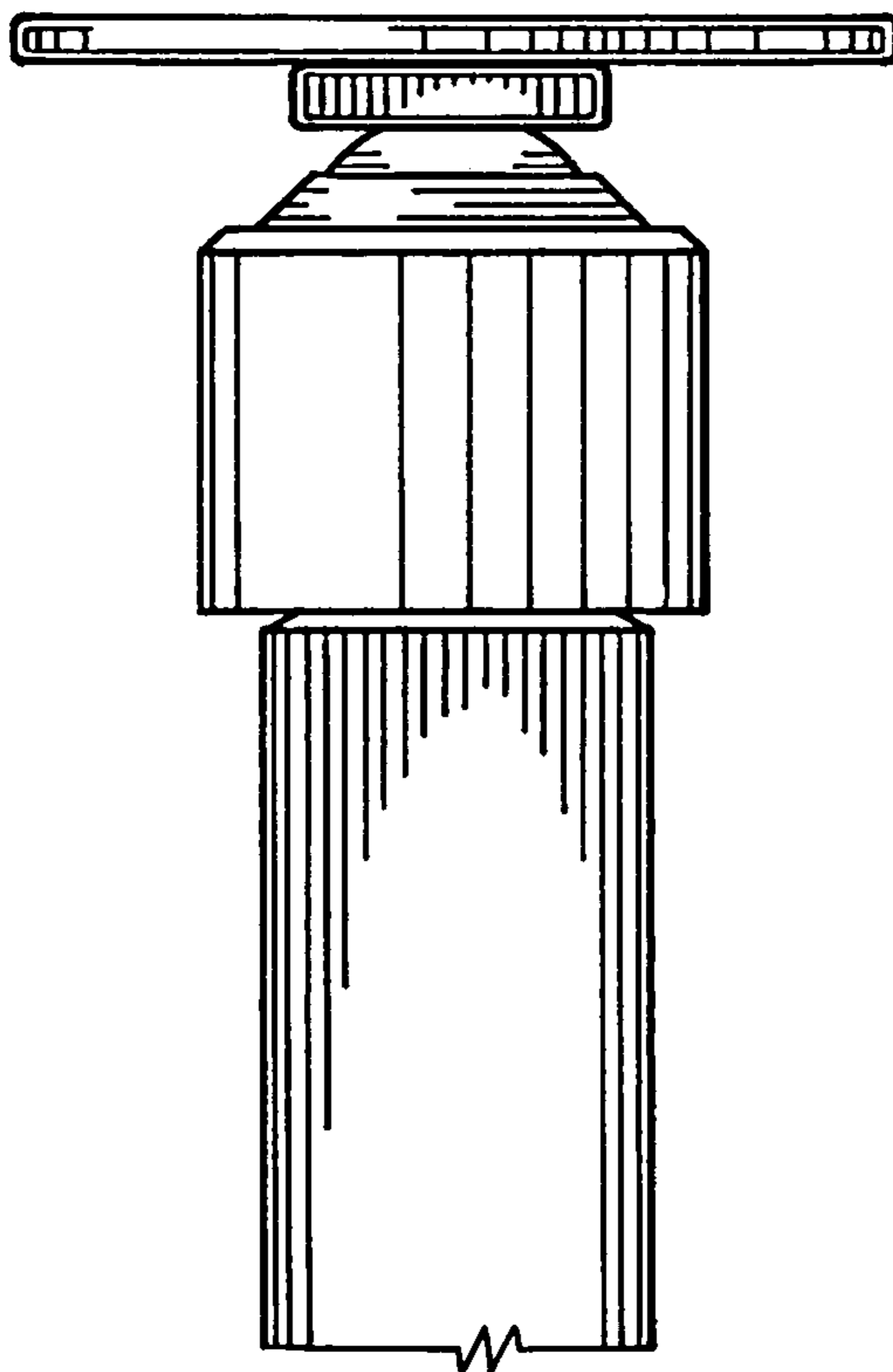


FIG. 4

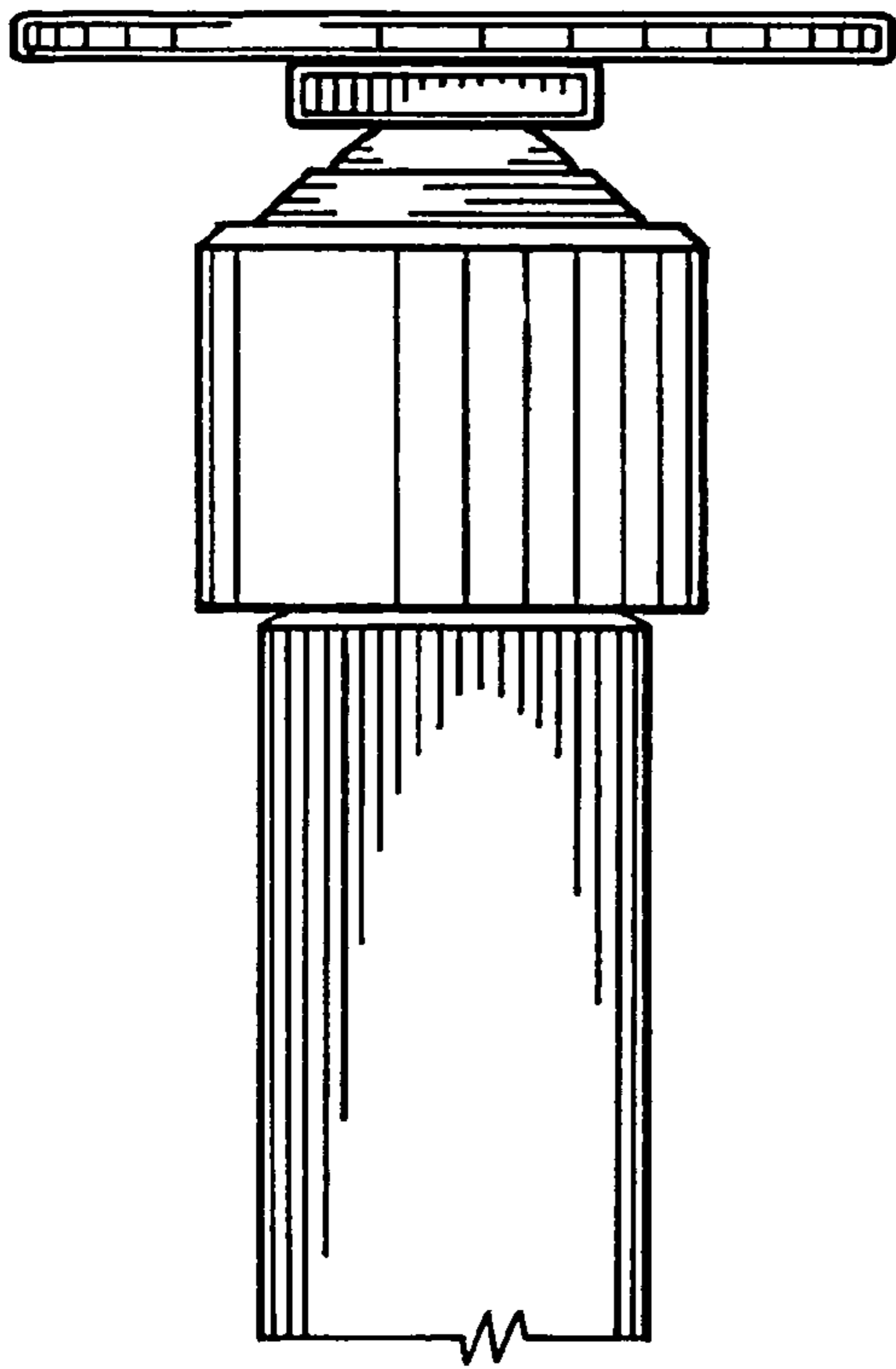


FIG. 5

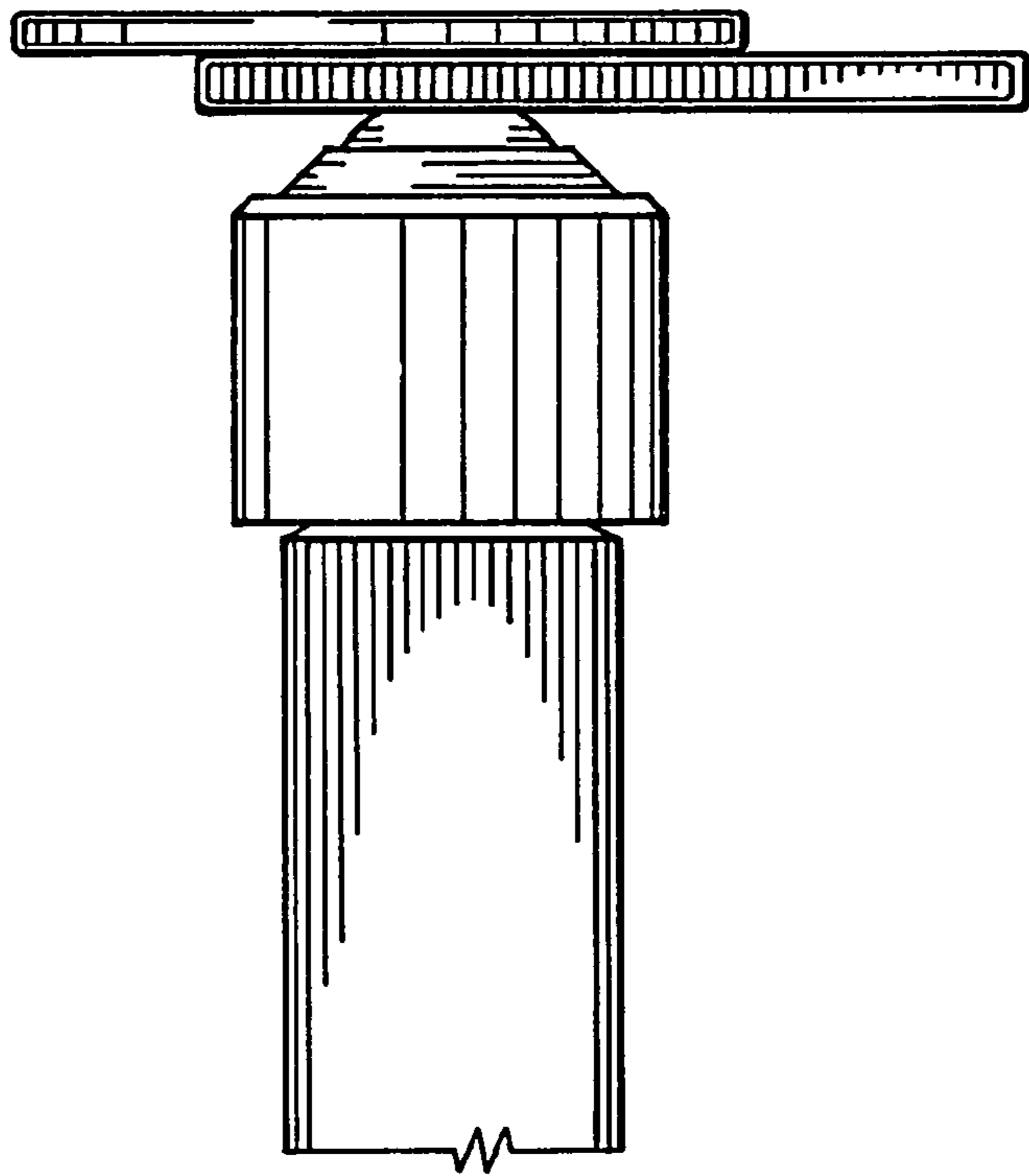


FIG. 6