



US00D730945S

(12) **United States Design Patent**
Leasure

(10) **Patent No.:** **US D730,945 S**
(45) **Date of Patent:** **** Jun. 2, 2015**

(54) **COMPRESSOR HOUSING**

(71) Applicant: **Jeremy Douglas Leasure**, Jackson, TN (US)

(72) Inventor: **Jeremy Douglas Leasure**, Jackson, TN (US)

(73) Assignee: **MAT INDUSTRIES, LLC**, Long Grove, IL (US)

(**) Term: **14 Years**

(21) Appl. No.: **29/493,553**

(22) Filed: **Jun. 11, 2014**

(51) **LOC (10) Cl.** **15-02**

(52) **U.S. Cl.**
USPC **D15/9**

(58) **Field of Classification Search**
USPC D15/7-9; D23/231, 232, 225;
417/410.1, 359, 415-416, 234, 321,
417/265, 405
CPC F04B 35/00; F04B 17/00
See application file for complete search history.

(56) **References Cited**

U.S. PATENT DOCUMENTS

D352,294 S * 11/1994 Morgan D15/9
D446,220 S * 8/2001 Boughton et al. D15/7

D475,721 S * 6/2003 Harper et al. D15/9
D500,769 S * 1/2005 Montgomery D15/7
D529,047 S 9/2006 Sharp
D529,048 S 9/2006 Sharp
7,128,344 B2 10/2006 Sharp
D535,309 S 1/2007 Breecham et al.
D579,463 S * 10/2008 Plunk et al. D15/9
D710,903 S * 8/2014 Vintzel et al. D15/9

* cited by examiner

Primary Examiner — Ralf Seifert

(74) *Attorney, Agent, or Firm* — Greer, Burns & Crain, Ltd.

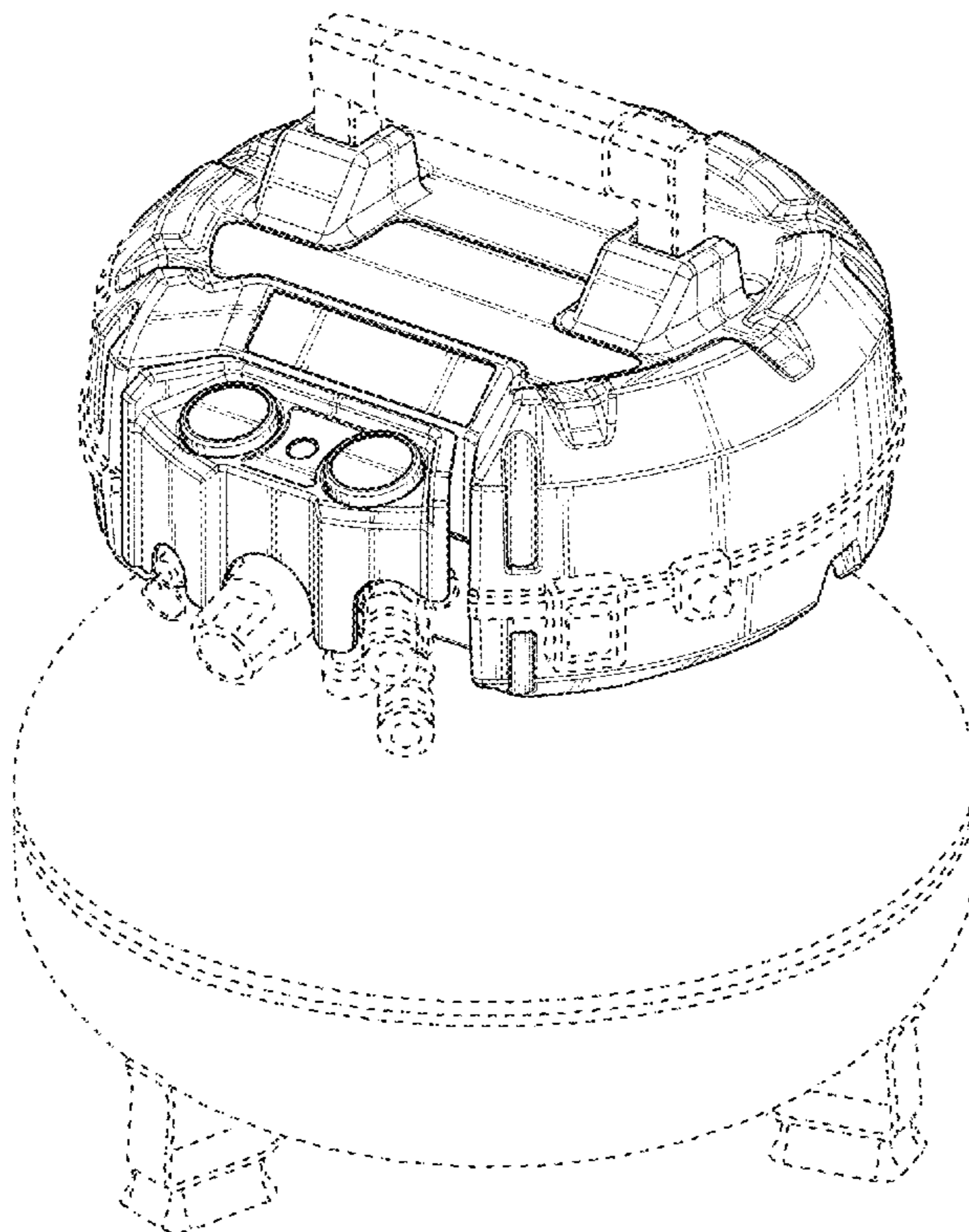
(57) **CLAIM**

The ornamental design for a compressor housing, as shown and described.

DESCRIPTION

FIG. 1 is a top right perspective view of the present compressor housing;
FIG. 2 is a top left perspective view of same;
FIG. 3 is a left side view of same;
FIG. 4 is a right side view of the compressor housing of FIG. 1;
FIG. 5 is a front view of same;
FIG. 6 is a rear view of same;
FIG. 7 is a top view of the present compressor housing; and,
FIG. 8 is a bottom view of same.
The structure shown in broken lines is for environment purposes only and does not form part of the claimed invention.

1 Claim, 8 Drawing Sheets



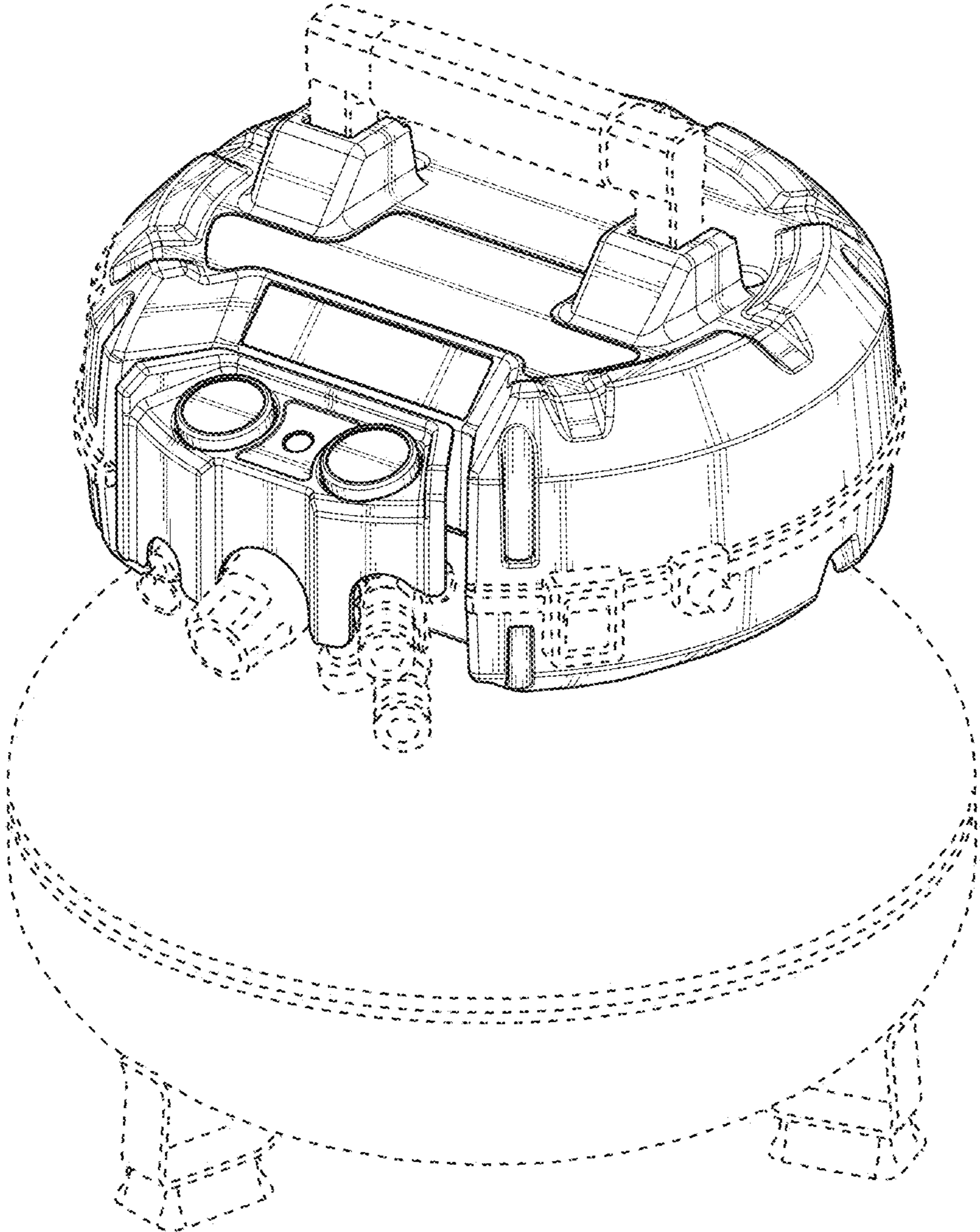


FIG. 1

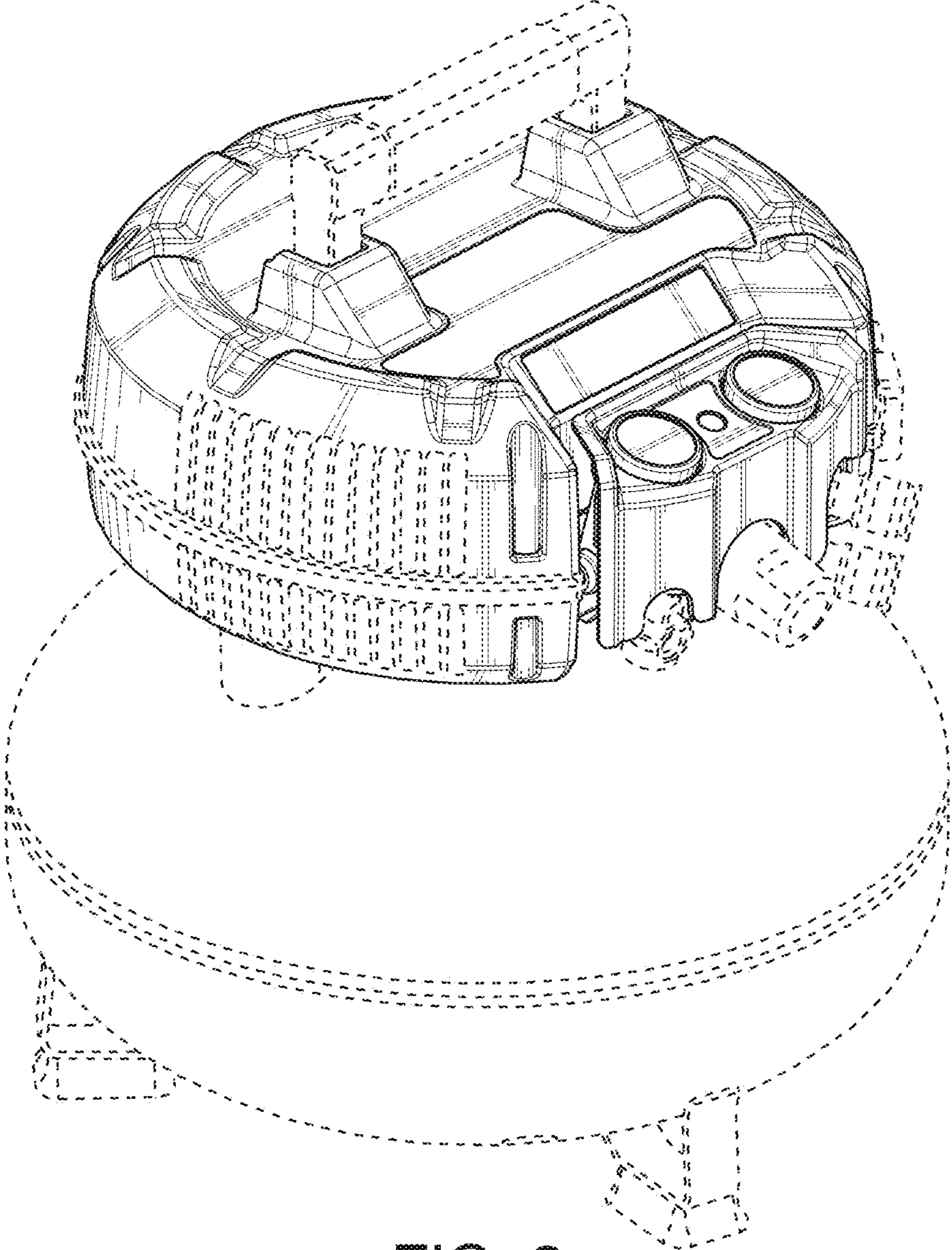


FIG. 2

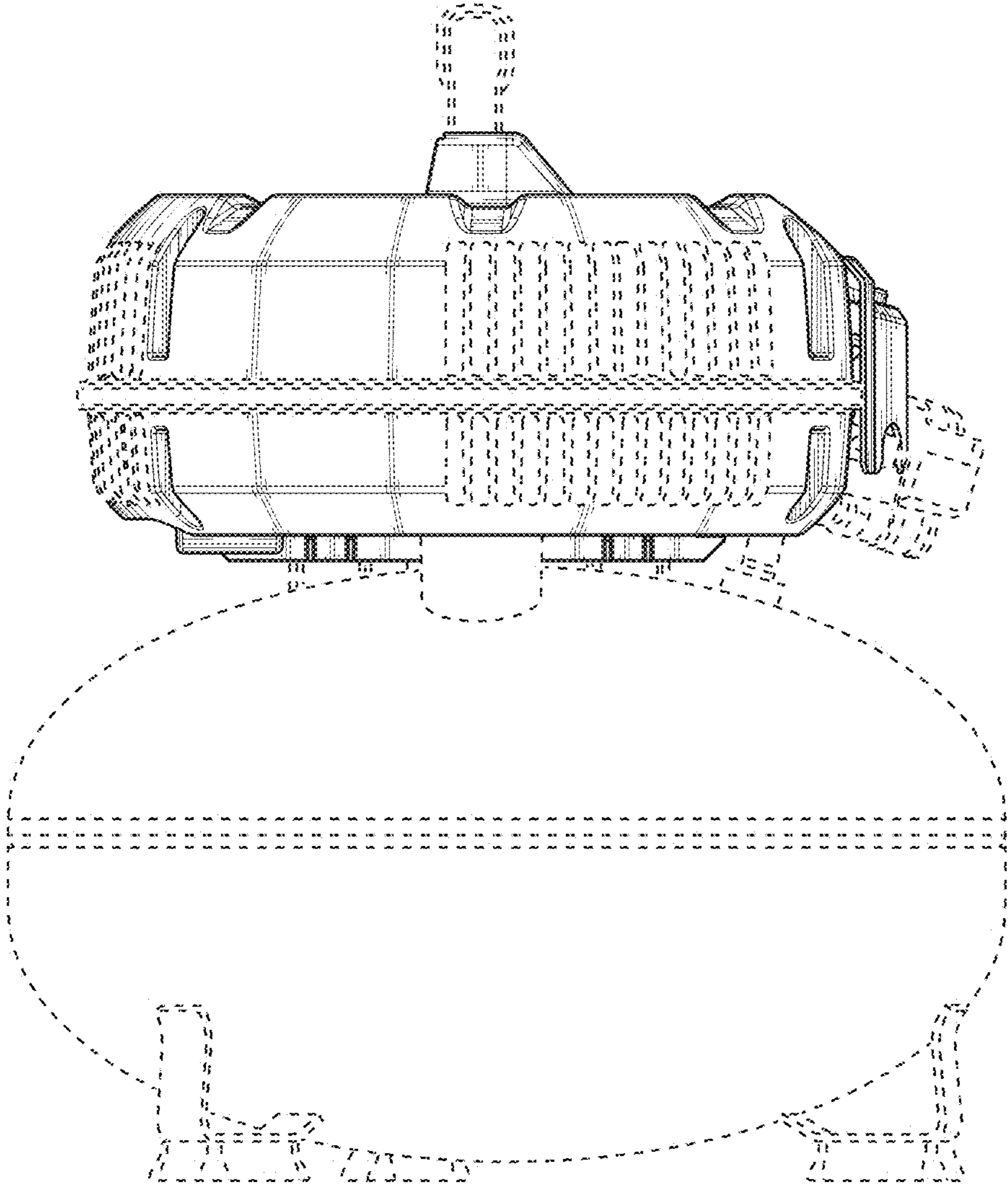


FIG. 3

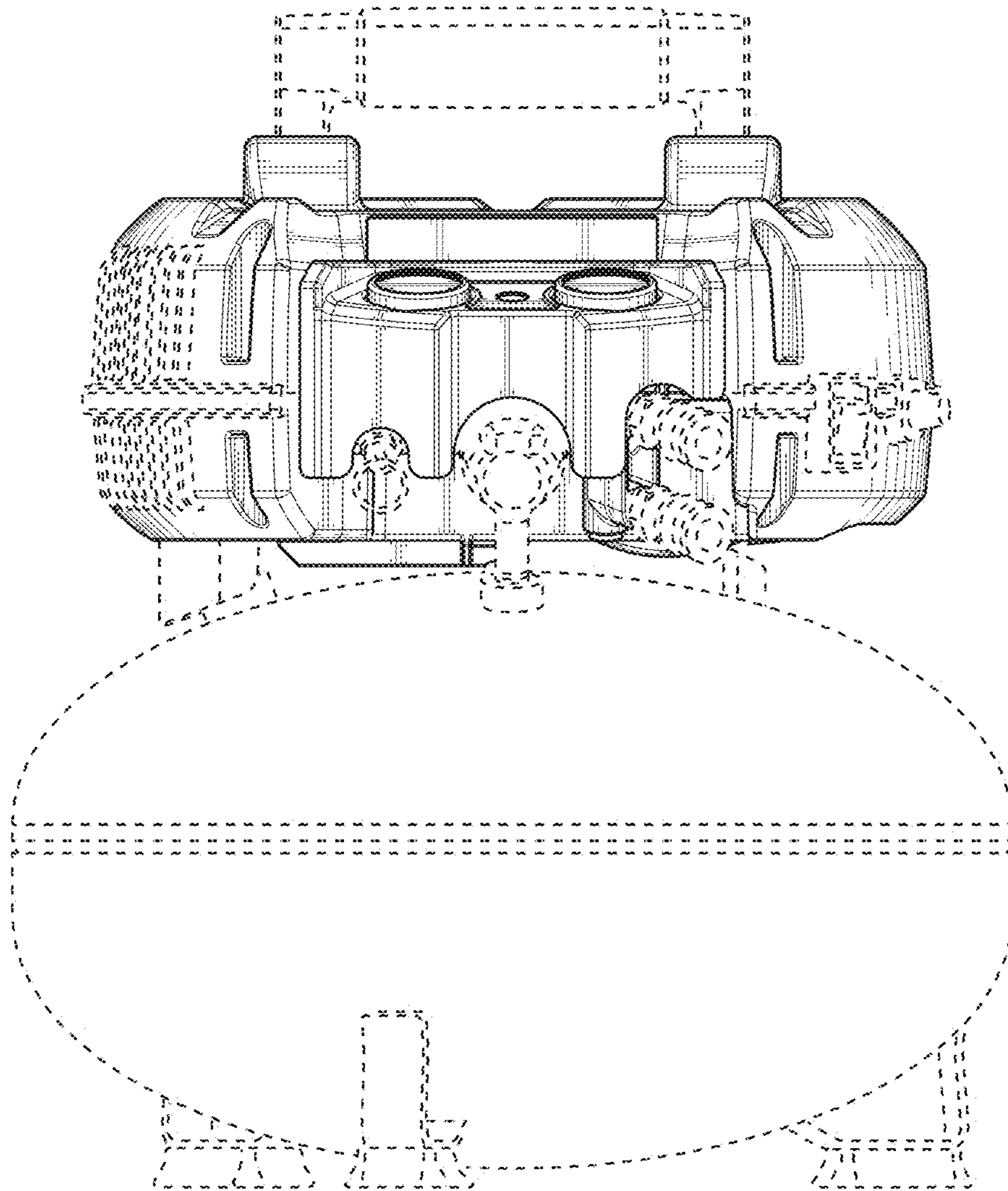


FIG. 4

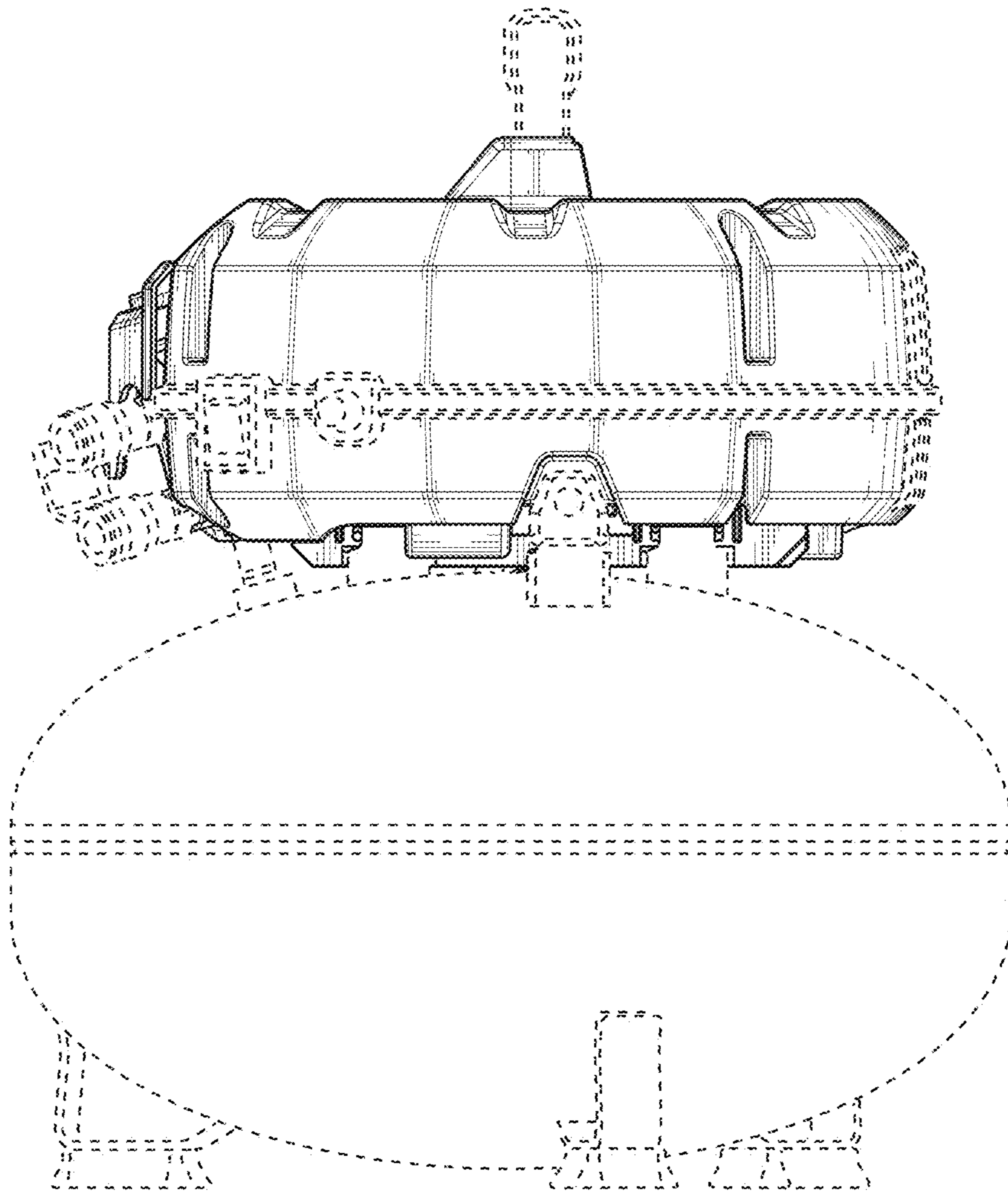


FIG. 5

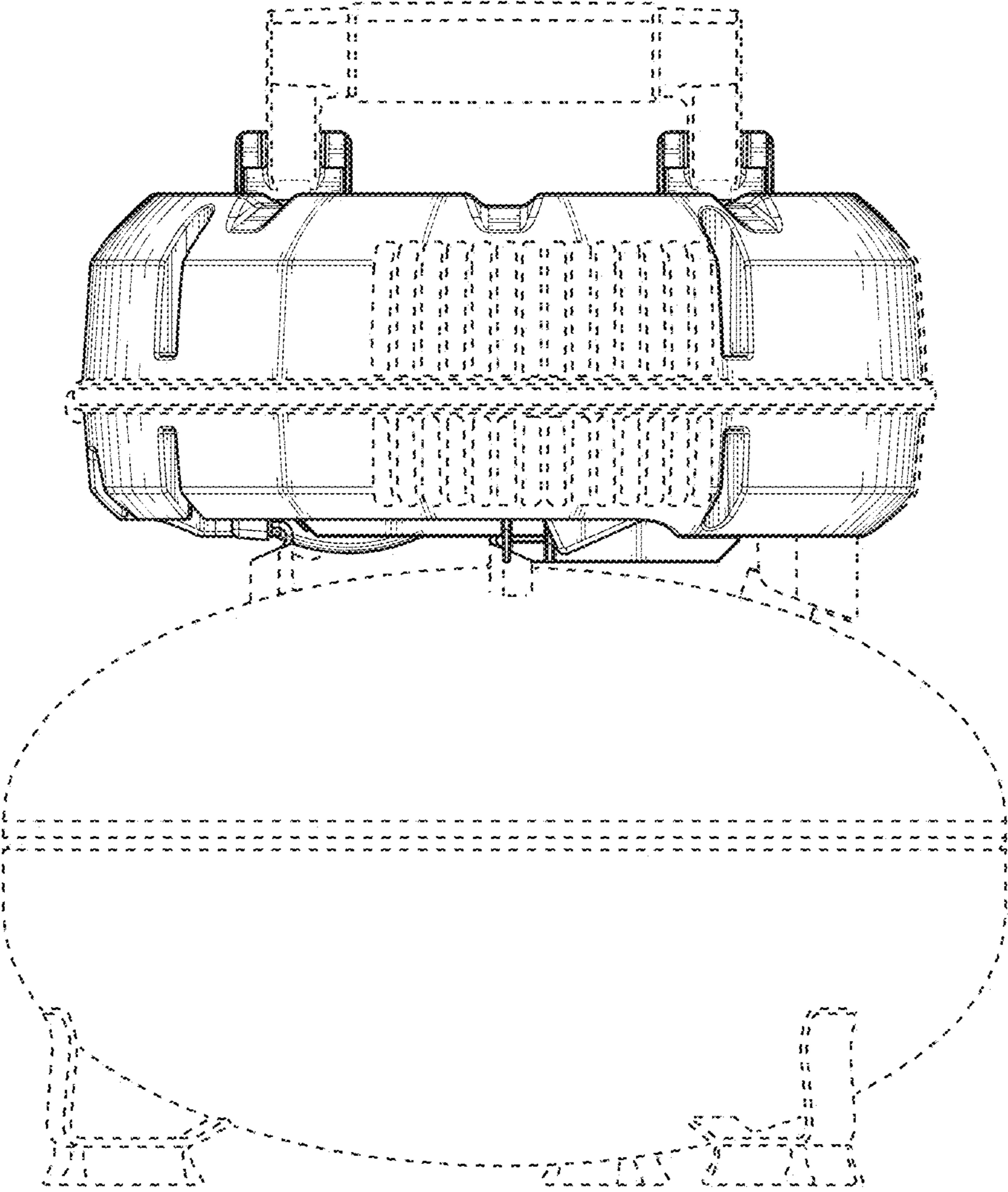


FIG. 6

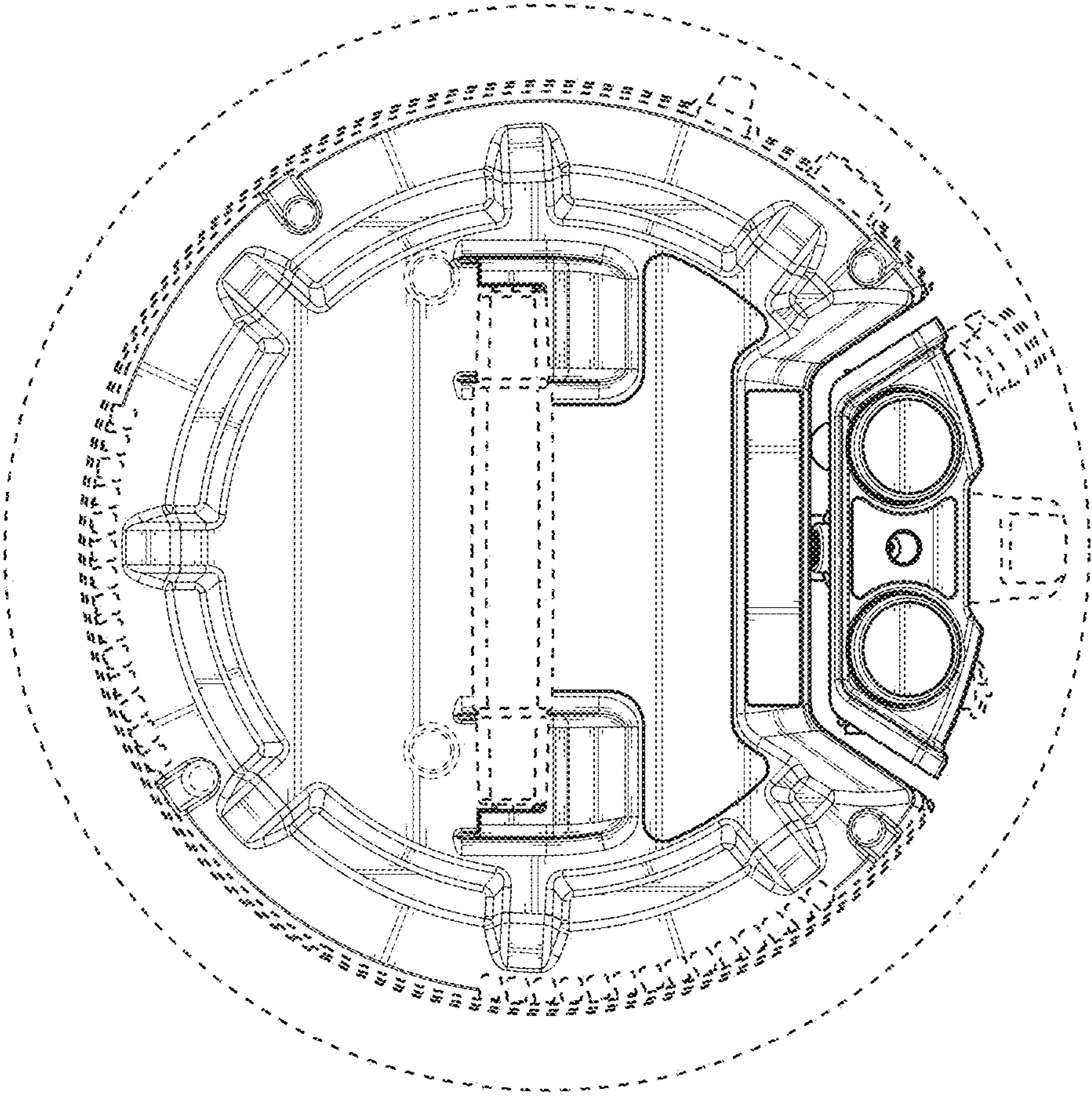


FIG. 7

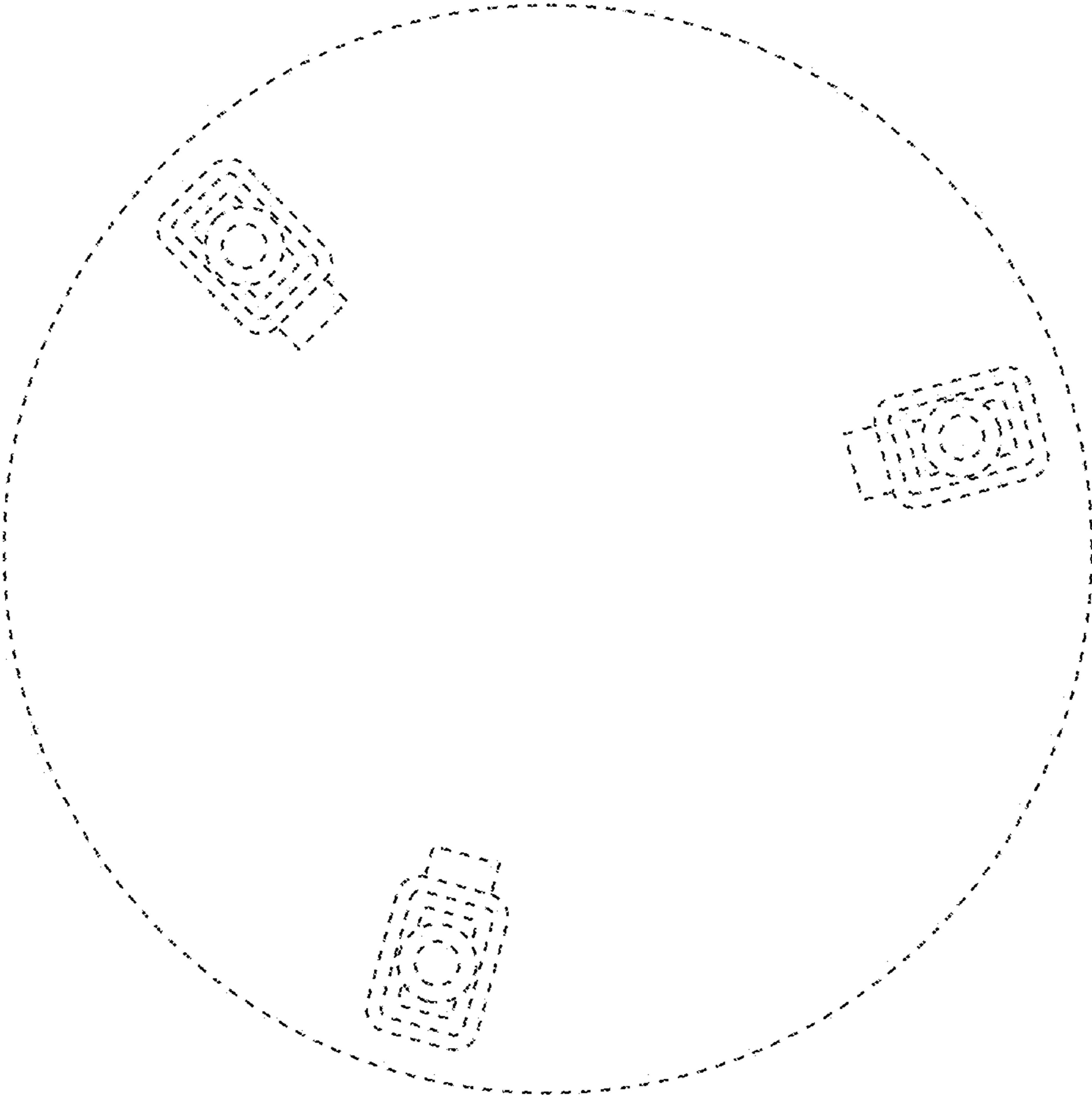


FIG. 8