



US00D730942S

(12) **United States Design Patent**
Wong

(10) **Patent No.:** **US D730,942 S**
(45) **Date of Patent:** **** Jun. 2, 2015**

(54) **DJ SOUND SYSTEM**

(56) **References Cited**

(71) Applicant: **Koninklijke Philips N.V.**, Eindhoven
(NL)
(72) Inventor: **Shun Cheong King Wong**, Hong Kong
(CN)
(73) Assignee: **Koninklijke Philips N.V.**, Eindhoven
(NL)
(**) Term: **14 Years**

U.S. PATENT DOCUMENTS

6,328,570 B1 *	12/2001	Ng	434/307 A
D454,855 S *	3/2002	Nakane	D14/168
D496,922 S *	10/2004	Kimura	D14/500
7,303,222 B2 *	12/2007	Wilkins	296/37.6
7,320,520 B2 *	1/2008	Johnson	353/15
D583,798 S *	12/2008	Iijima et al.	D14/168
D596,196 S *	7/2009	Laituri et al.	D14/496
D610,589 S *	2/2010	Chia et al.	D14/496
D614,670 S *	4/2010	Strauser	D14/497
D615,555 S *	5/2010	Ho	D14/496
D615,993 S *	5/2010	Ho	D14/496
8,312,375 B2 *	11/2012	Hamada	715/716

(21) Appl. No.: **29/482,770**

* cited by examiner

(22) Filed: **Feb. 21, 2014**

Primary Examiner — Prabhakar Deshmukh

(30) **Foreign Application Priority Data**

Aug. 21, 2013 (EM) 002294694-0003

(74) *Attorney, Agent, or Firm* — Venable LLP; Steven J. Schwarz

(51) **LOC (10) Cl.** **14-03**

(57) **CLAIM**

The ornamental design for DJ sound system, as shown and described.

(52) **U.S. Cl.**

USPC **D14/496**; D14/203.1; D14/497

DESCRIPTION

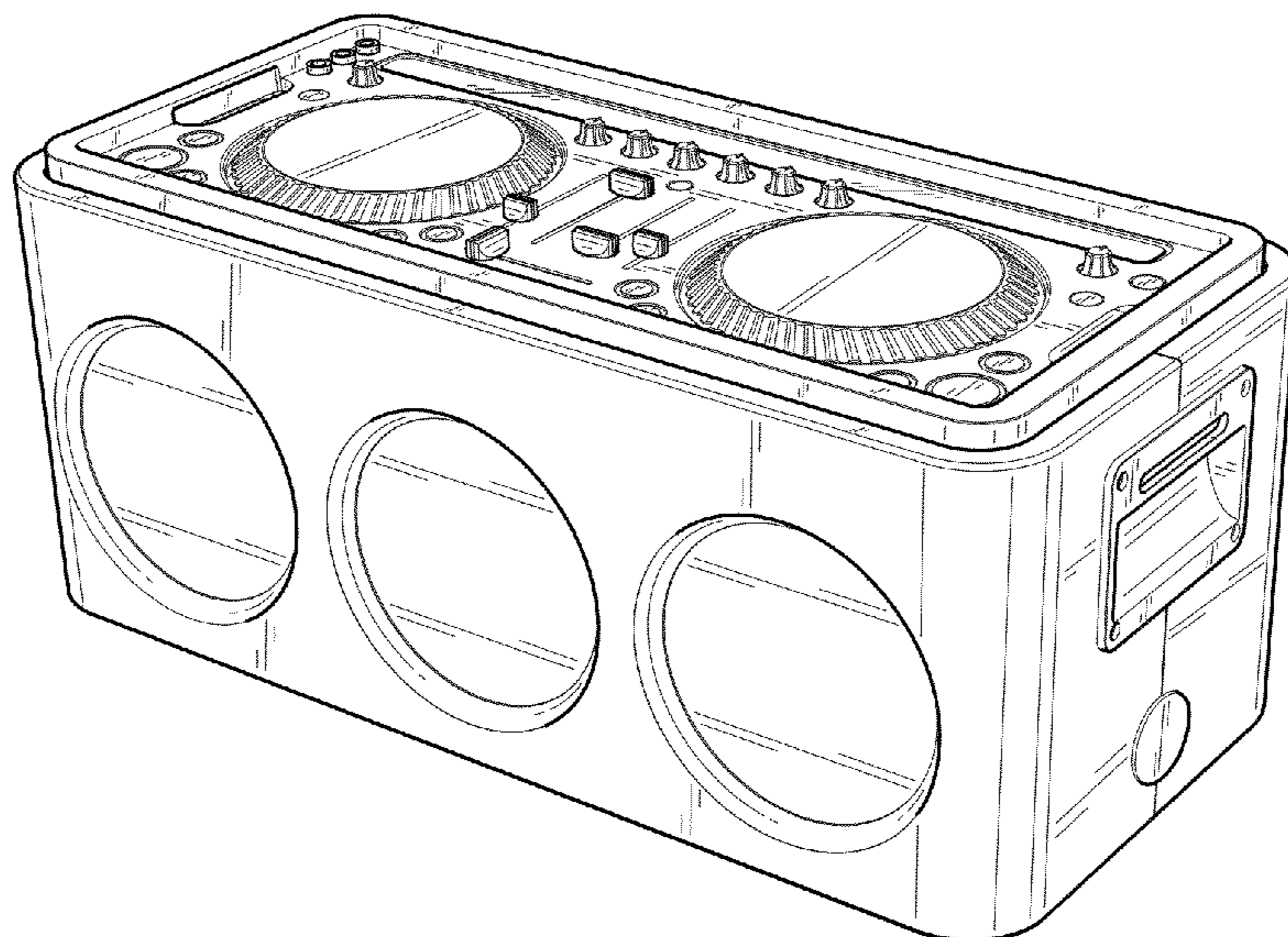
(58) **Field of Classification Search**

USPC D14/496, 401, 435, 474, 483, 217, 137,
D14/138, 160, 168, 356, 203.1–203.8, 507;
345/156, 169, 173–179, 905;
715/727–729, 864; 710/1, 5, 8; 713/1,
713/600; 455/1.1, 1.7, 73, 344–347, 93, 95,
455/3.01–3.06, 550.1, 573.1; 370/342–344;
369/1, 2, 6–12; 463/43–47; 273/148 B

FIG. 1 is a perspective view of a DJ sound system showing my new design;
FIG. 2 is a front elevational view thereof;
FIG. 3 is a rear elevational view thereof;
FIG. 4 is a left side elevational view thereof;
FIG. 5 is a right side elevational view thereof;
FIG. 6 is a top plan view thereof; and,
FIG. 7 is a bottom plan view thereof.
The broken lines illustrate unclaimed portions and form no part of the claimed design.

See application file for complete search history.

1 Claim, 4 Drawing Sheets



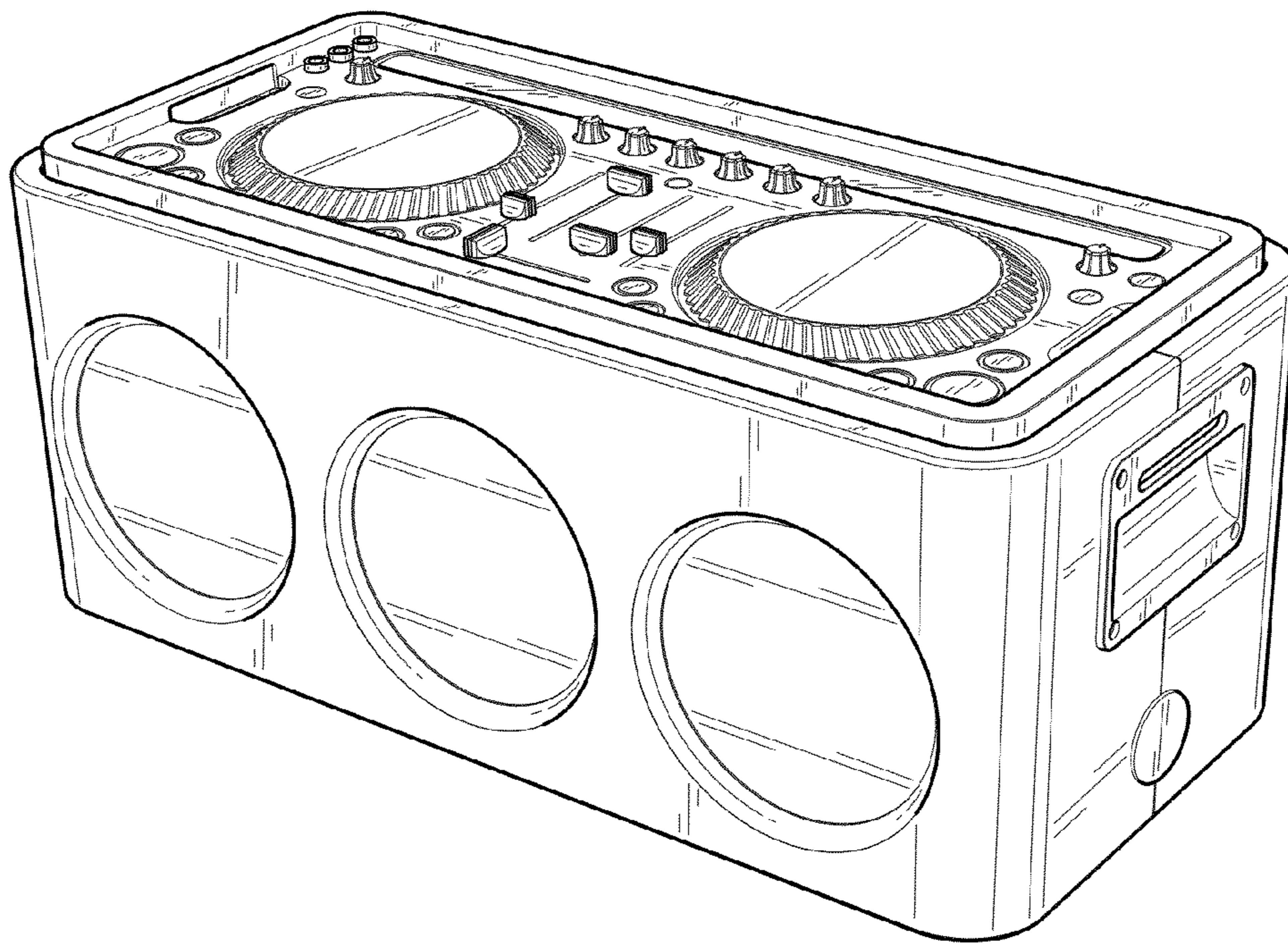


FIG. 1

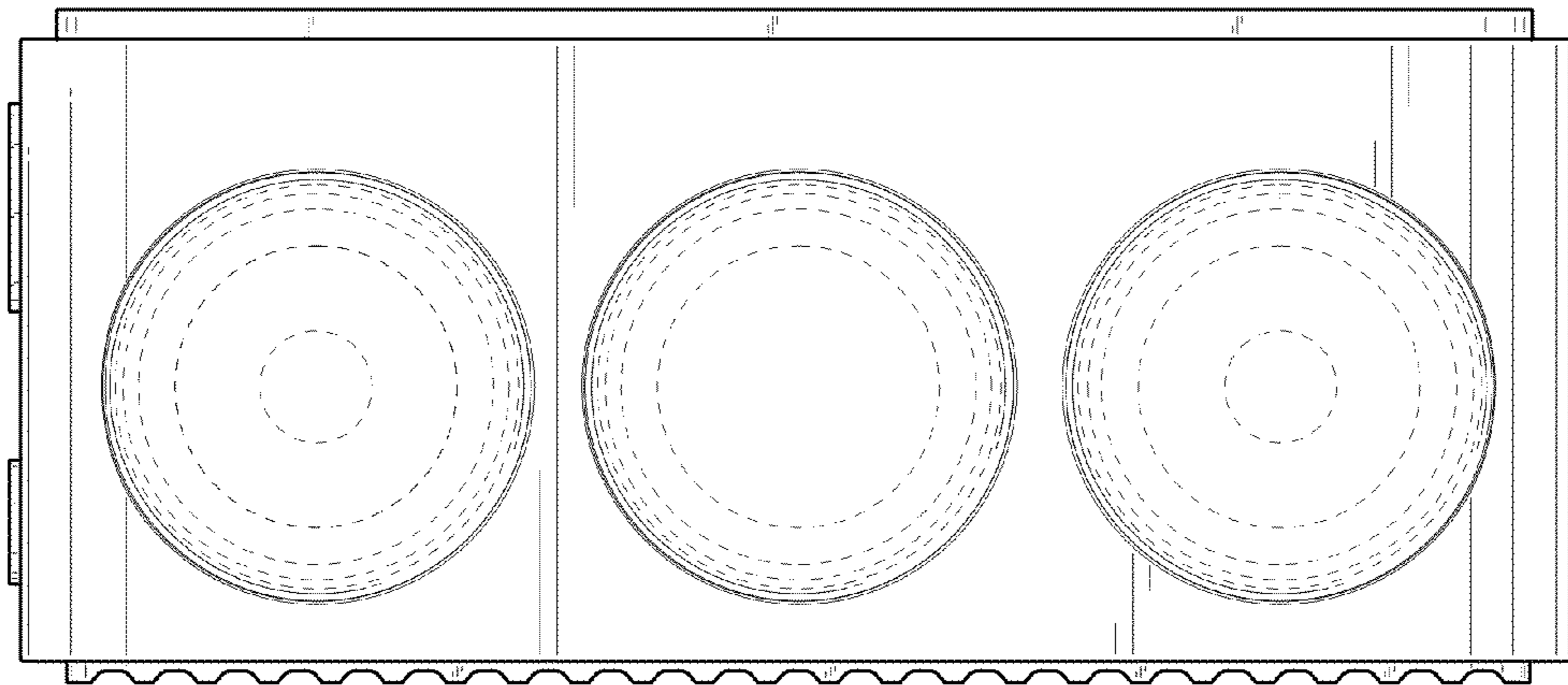


FIG. 2

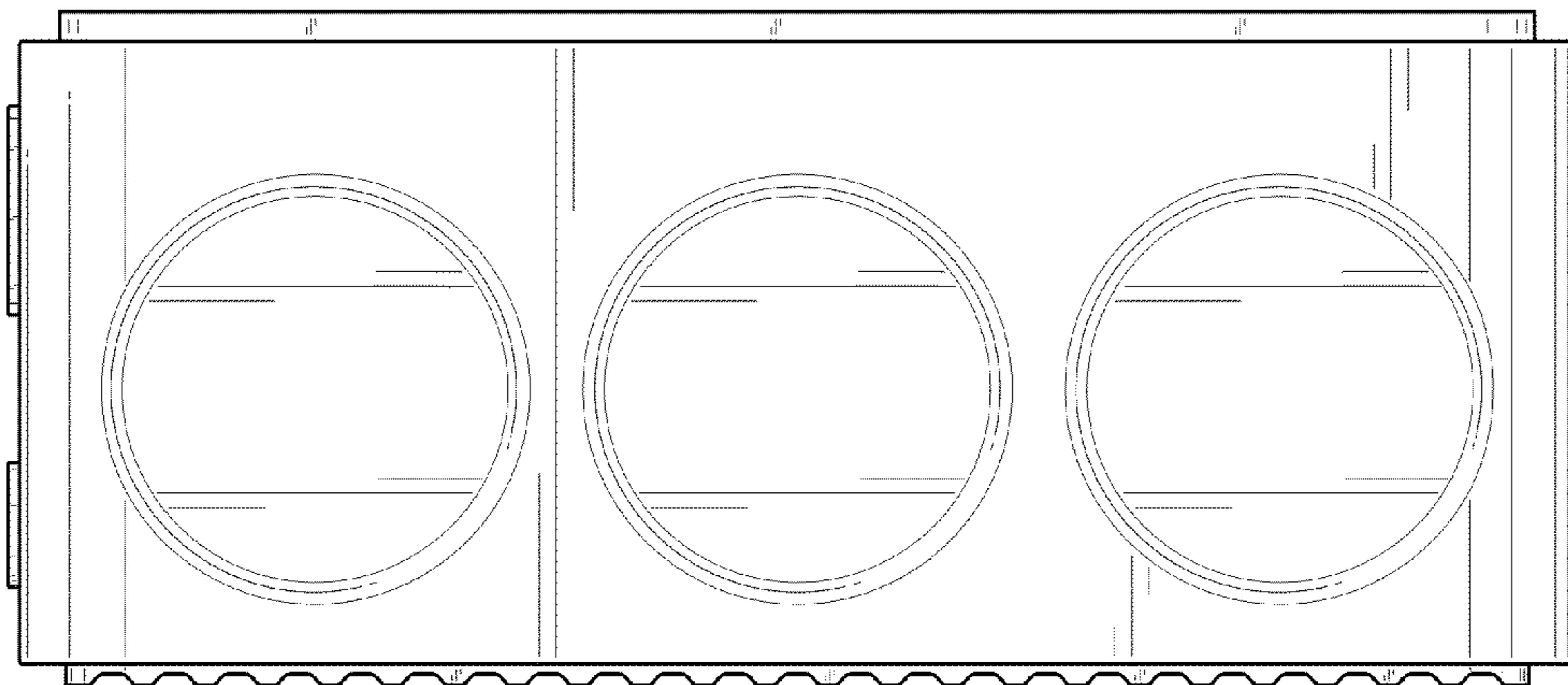


FIG. 3

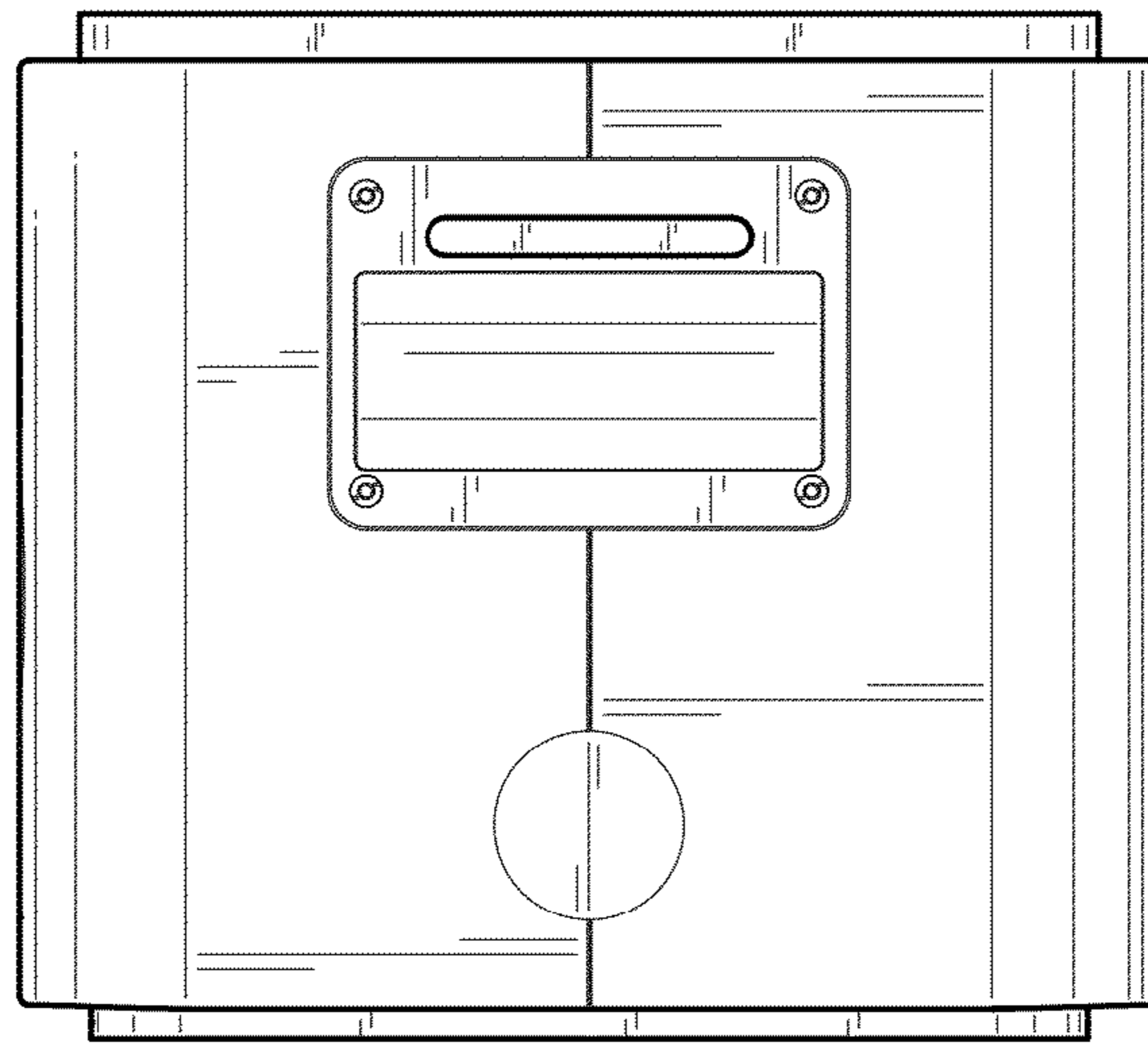


FIG. 4

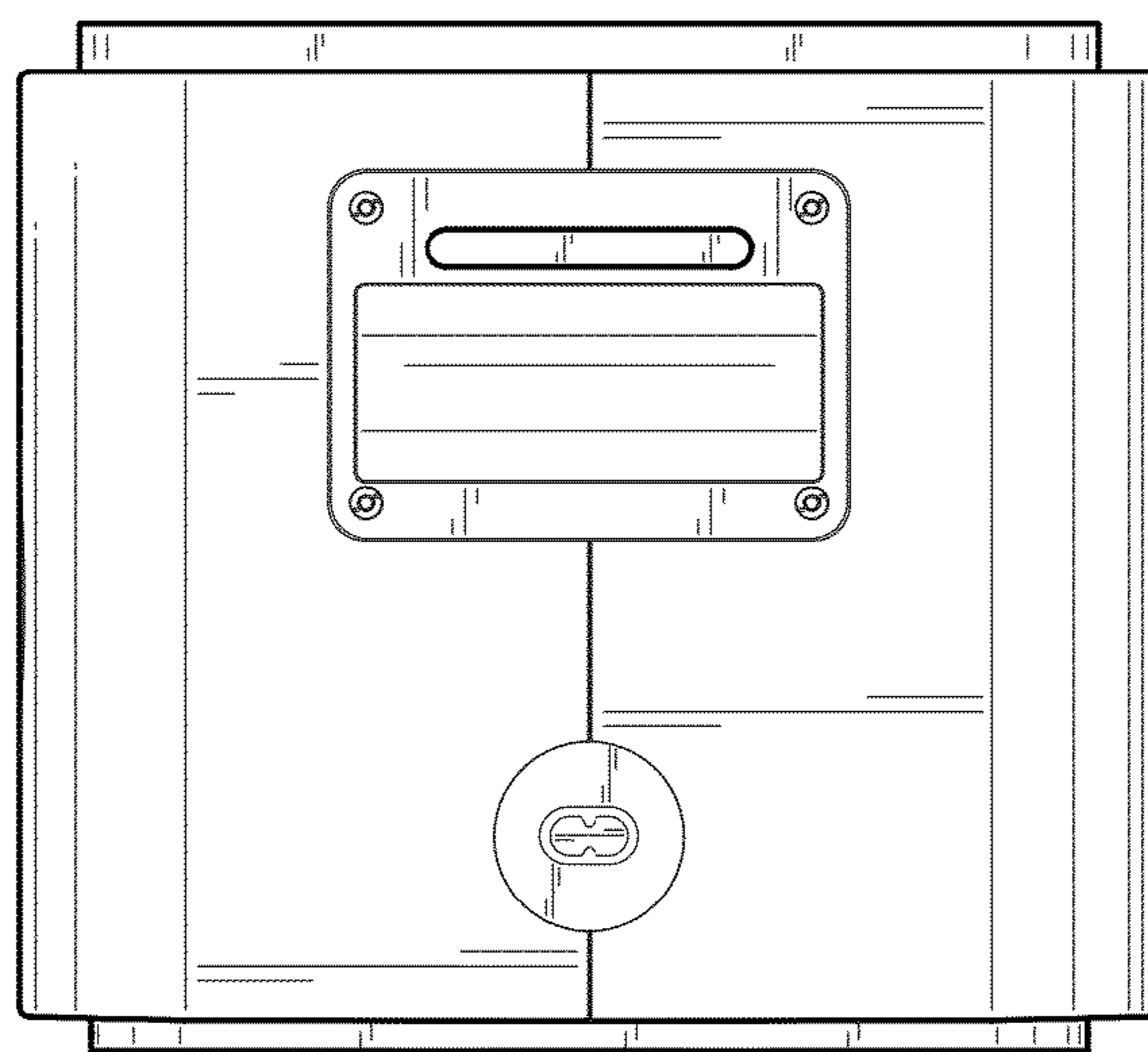


FIG. 5

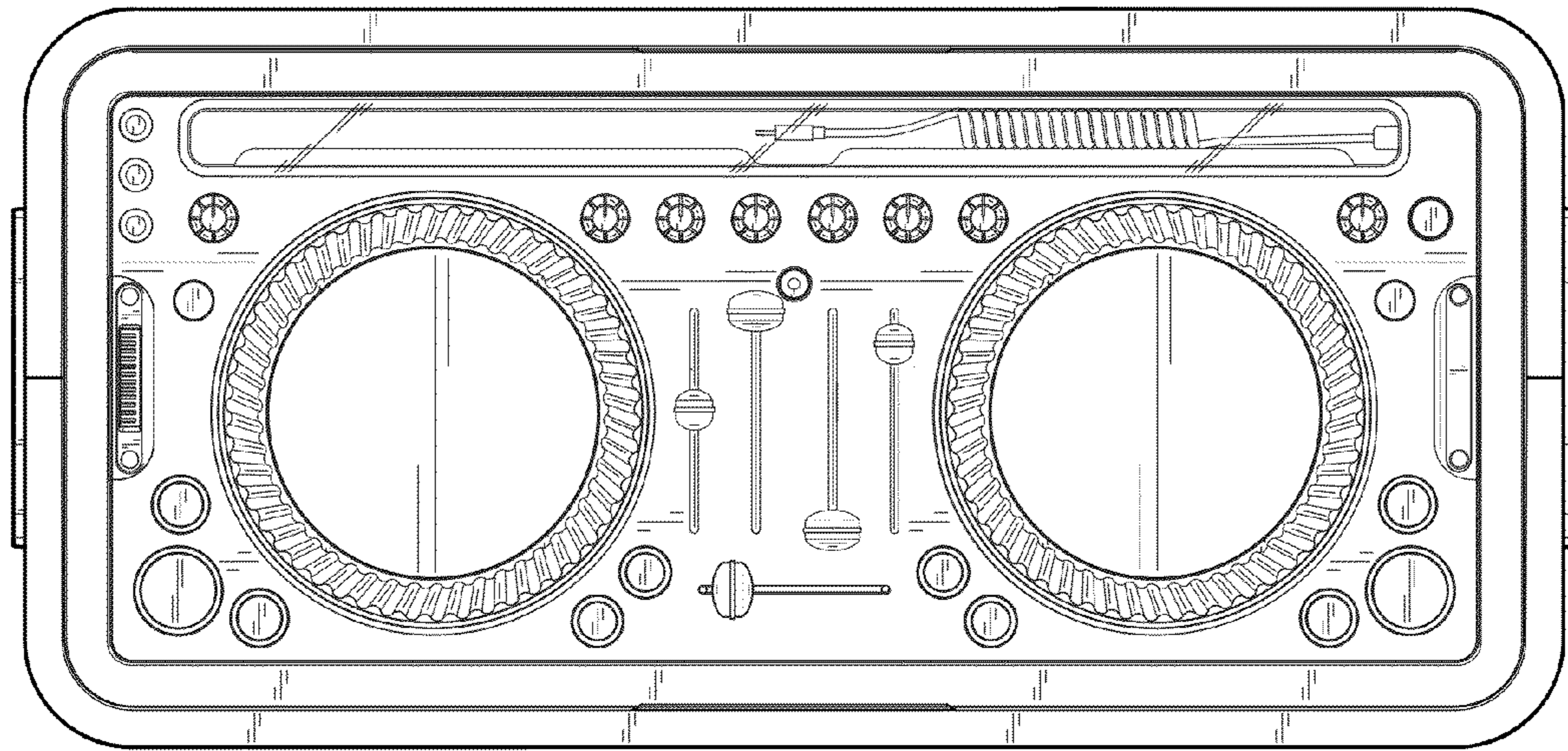


FIG. 6

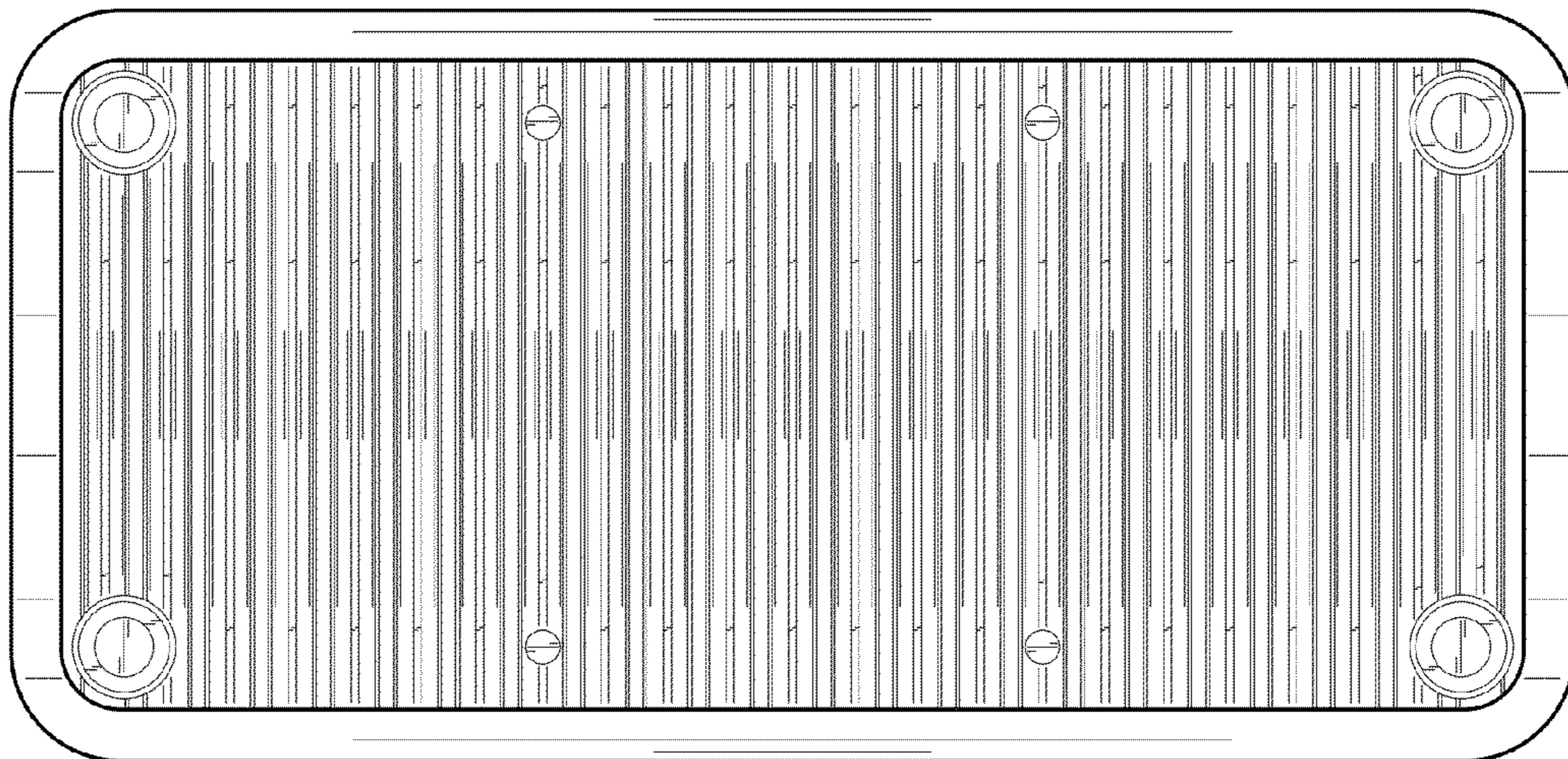


FIG. 7