



US00D730938S

(12) **United States Design Patent**
Ma et al.

(10) **Patent No.:** **US D730,938 S**
(45) **Date of Patent:** **** Jun. 2, 2015**

(54) **DISPLAY SCREEN OR PORTION THEREOF WITH GRAPHICAL USER INTERFACE**

(71) Applicant: **Samsung Electronics Co., Ltd.**,
Suwon-si (KR)

(72) Inventors: **Cho-Hyang Ma**, Yongin-si (KR);
Jee-Yeun Wang, Seoul (KR);
Hee-Kyung Jeon, Seoul (KR)

(73) Assignee: **SAMSUNG ELECTRONICS CO., LTD.** (KR)

(**) Term: **14 Years**

(21) Appl. No.: **29/459,863**

(22) Filed: **Jul. 3, 2013**

(30) **Foreign Application Priority Data**

Jun. 5, 2013 (KR) 30-2013-0029258

(51) **LOC (10) Cl.** **14-04**

(52) **U.S. Cl.**
USPC **D14/492; D14/491**

(58) **Field of Classification Search**
USPC D14/489-495
CPC .. G06F 3/0481; G06F 3/04817; G06F 3/0482
See application file for complete search history.

(56) **References Cited**

U.S. PATENT DOCUMENTS

5,995,093 A * 11/1999 Lambourne et al. 715/716
D503,721 S * 4/2005 Peter et al. D14/489

D568,898 S * 5/2008 Byeon D14/487
D607,888 S * 1/2010 Ahn D14/485
D667,452 S * 9/2012 Wujcik et al. D14/492
D676,868 S * 2/2013 Wagner D14/489
8,370,762 B2 * 2/2013 Abbott 715/769
D677,278 S * 3/2013 Wujcik et al. D14/492
D704,212 S * 5/2014 Dellinger D14/487
D704,216 S * 5/2014 Dellinger D14/489
2013/0097549 A1 * 4/2013 Park 715/773
2014/0101576 A1 * 4/2014 Kwak et al. 715/761
2014/0240579 A1 * 8/2014 Park et al. 348/333.11

OTHER PUBLICATIONS

Symbol Sourcebook, by Henry Dreyfuss, Van Nostrand Reinhold Company, New York, NY, © 1972, p. 65.*

* cited by examiner

Primary Examiner — Karen E Kearney

(74) *Attorney, Agent, or Firm* — Cantor Colburn LLP

(57) **CLAIM**

We claim, the ornamental design for a display screen or portion thereof with graphical user interface, as shown and described.

DESCRIPTION

FIG. 1 is a front view of a display screen or portion thereof with graphical user interface showing the new design; and, FIG. 2 is a front view of a second embodiment thereof. The broken line showing of the display screen portion is for the purpose of illustrating environmental structure and forms no part of the claimed design.

1 Claim, 2 Drawing Sheets

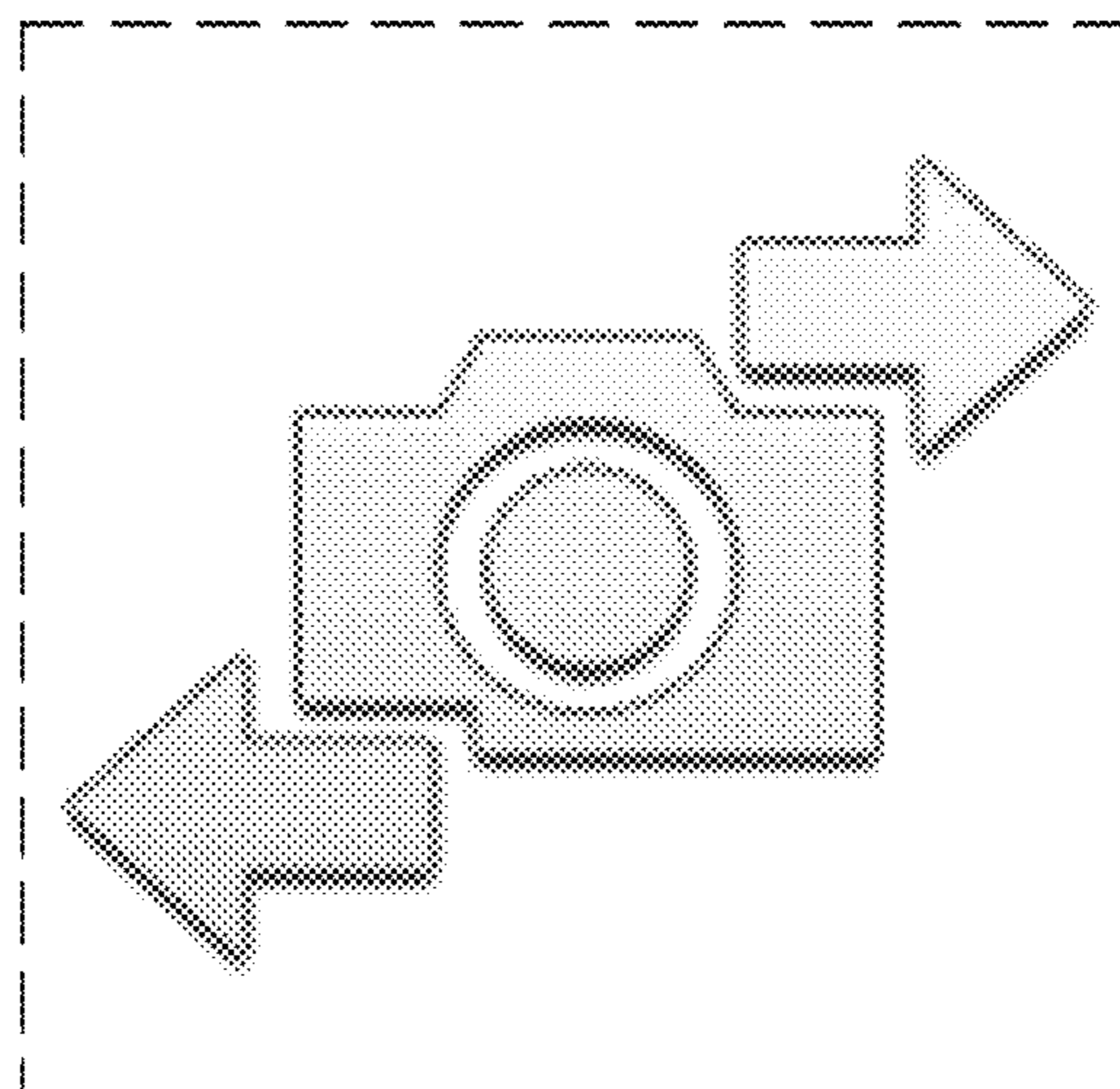
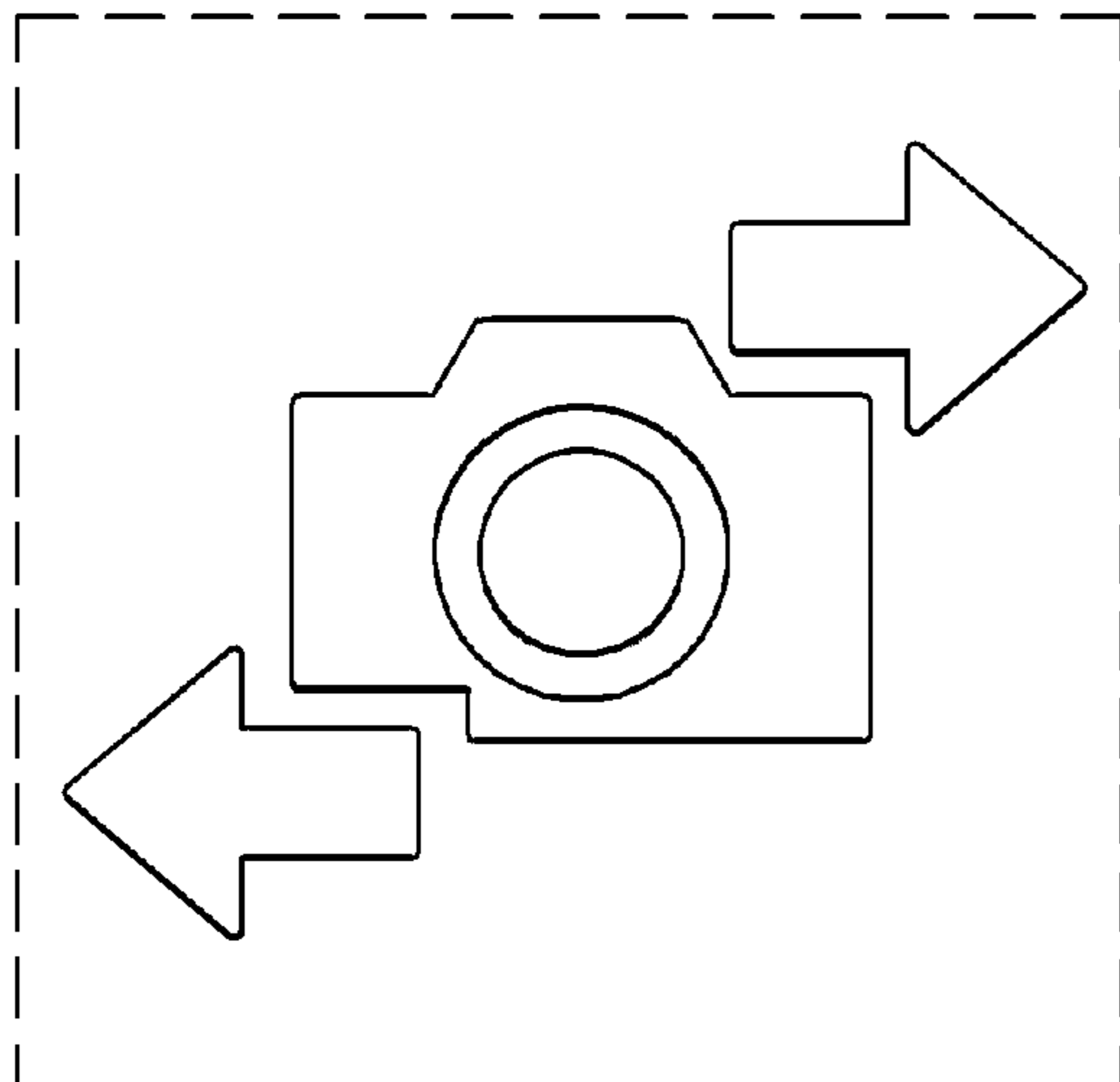


FIG. 1

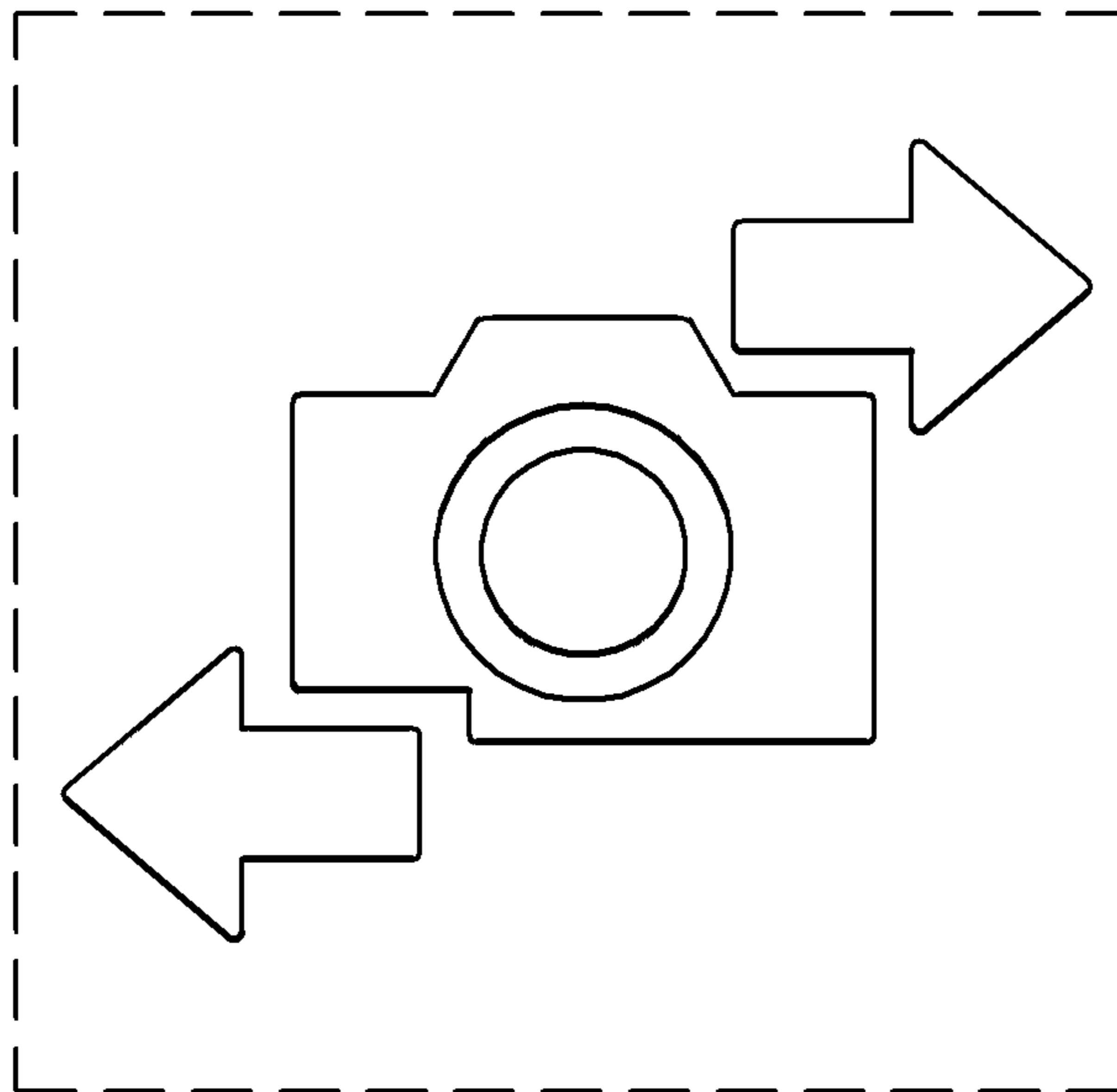


FIG. 2

