



US00D730914S

(12) **United States Design Patent**  
**Park et al.**

(10) **Patent No.:** **US D730,914 S**  
(45) **Date of Patent:** **\*\* Jun. 2, 2015**

(54) **STAND FOR PORTABLE TERMINAL**

(56) **References Cited**

(71) Applicant: **Samsung Electronics Co., Ltd.**,  
Suwon-si (KR)  
(72) Inventors: **Bum-Su Park**, Gwangmyeong-si (KR);  
**Young-Soo Kim**, Goyang-si (KR)  
(73) Assignee: **Samsung Electronics Co., Ltd.**,  
Suwon-si (KR)

U.S. PATENT DOCUMENTS

D382,904	S	*	8/1997	Comeaux et al.	.....	D19/90
D409,992	S	*	5/1999	Mockett	.....	D14/451
D473,072	S	*	4/2003	Seeley	.....	D6/449
D559,850	S	*	1/2008	Lye	.....	D14/447
D643,635	S	*	8/2011	Harding	.....	D6/310
D689,870	S	*	9/2013	Fong et al.	.....	D14/447
D690,306	S	*	9/2013	Malisse et al.	.....	D14/447
D703,676	S	*	4/2014	Smith et al.	.....	D14/447
D709,896	S	*	7/2014	McKinstry et al.	.....	D14/447
D714,302	S	*	9/2014	Fujioka	.....	D14/447
D715,806	S	*	10/2014	An et al.	.....	D14/447
D717,308	S	*	11/2014	Knoll et al.	.....	D14/453
2011/0084182	A1	*	4/2011	Suckle	.....	248/160

(\*\*) Term: **14 Years**

(21) Appl. No.: **29/488,974**

(22) Filed: **Apr. 25, 2014**

(30) **Foreign Application Priority Data**

Dec. 9, 2013 (KR) ..... 30-2013-0062093

(51) **LOC (10) Cl.** ..... **14-04**

(52) **U.S. Cl.**  
USPC ..... **D14/447**

(58) **Field of Classification Search**  
USPC ..... D14/447, 451, 452, 439, 440, 432, 457,  
D14/460, 461, 217, 239, 251, 253;  
D6/406.3, 406.4, 406.5, 406.6;  
248/460, 917-924, 150, 176.1, 177.1,  
248/181.1, 188.7; 361/679.02, 679.06,  
361/679.07, 679.09, 679.21, 679.22,  
361/679.26, 679.27, 679.3, 679.55, 679.56;  
D8/363, 373, 380  
CPC ..... F16M 2200/00; F16M 13/00; A45C  
2011/003; A45C 2011/002; A47B 2023/049;  
A47B 2097/005; A47B 2097/006; A47B 21/04  
See application file for complete search history.

\* cited by examiner

*Primary Examiner* — Angela J Lee  
(74) *Attorney, Agent, or Firm* — NSIP Law

(57) **CLAIM**  
We claim the ornamental design for a stand for portable terminal, as shown and described.

**DESCRIPTION**

FIG. 1 is a front perspective view of a stand for portable terminal showing our new design;  
FIG. 2 is a front view thereof;  
FIG. 3 is a rear view thereof;  
FIG. 4 is a left-side view thereof;  
FIG. 5 is a right-side view thereof;  
FIG. 6 is a top view thereof;  
FIG. 7 is a bottom view thereof;  
FIG. 8 is a top view of the stand for portable terminal in an unfolded position; and,  
FIG. 9 is a top view of the stand for portable terminal in a folded position.  
The broken lines in the figures show portions of the stand for portable terminal which form no part of the claimed design.

**1 Claim, 9 Drawing Sheets**

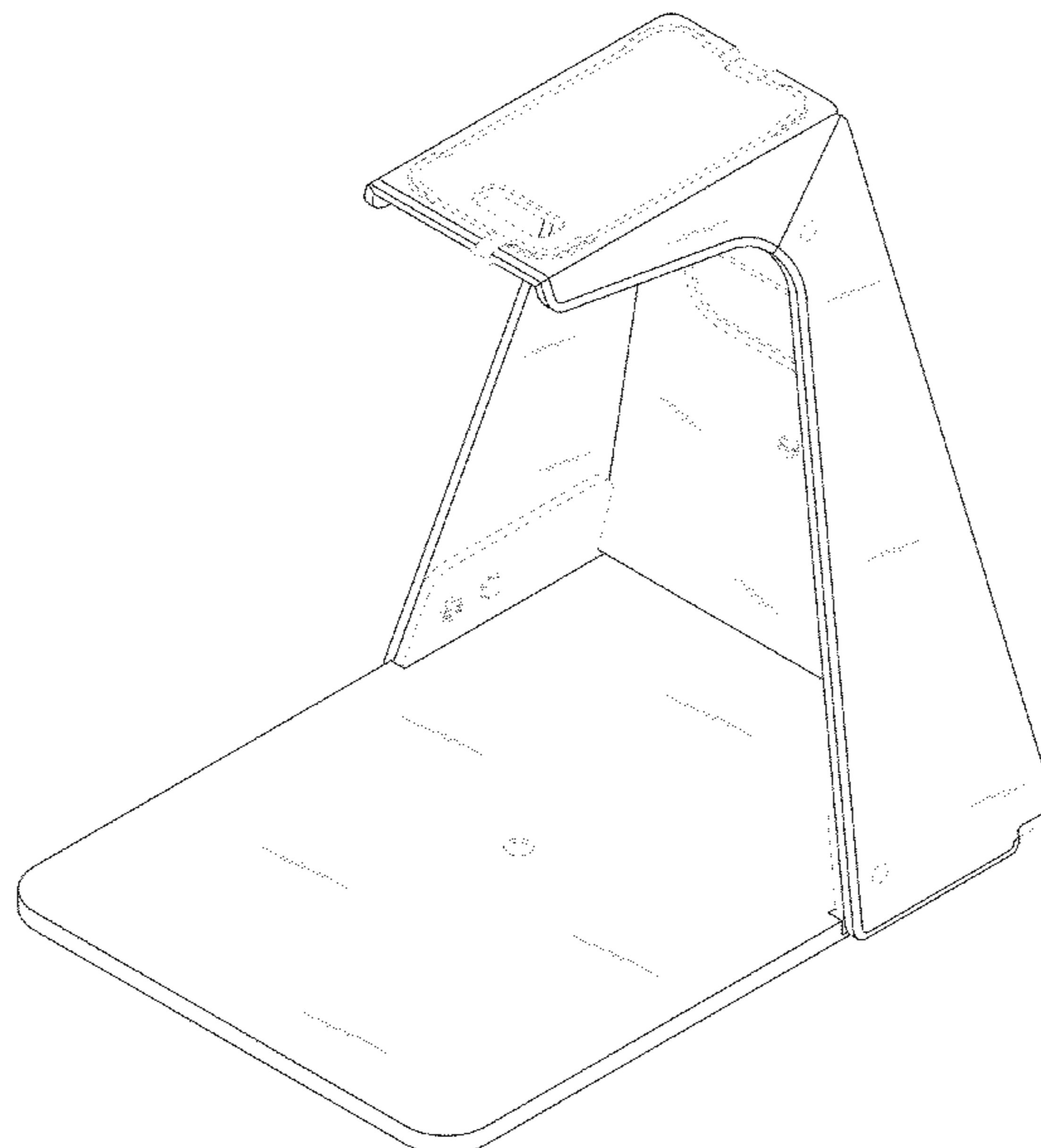


FIG.1

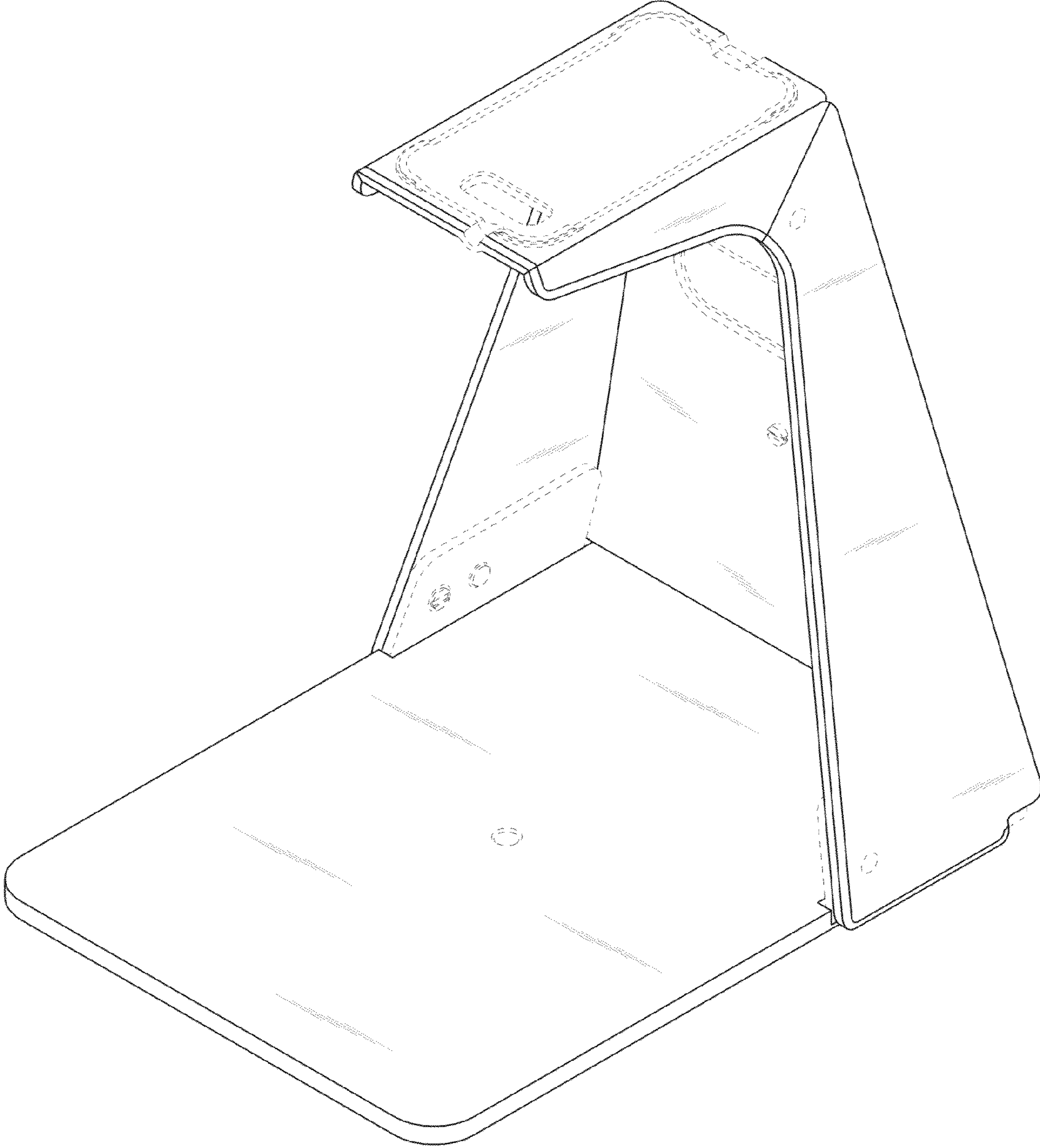


FIG.2

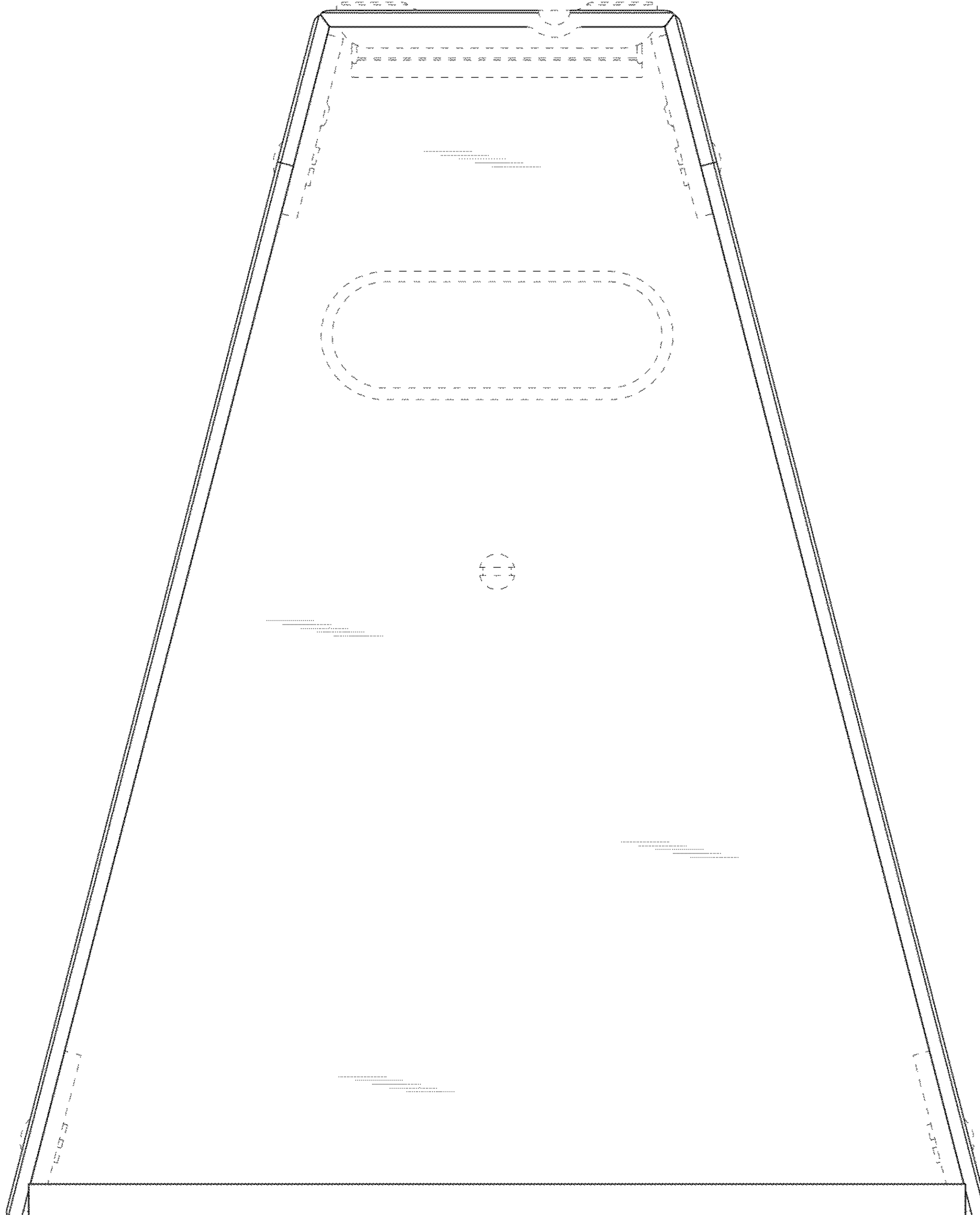


FIG.3

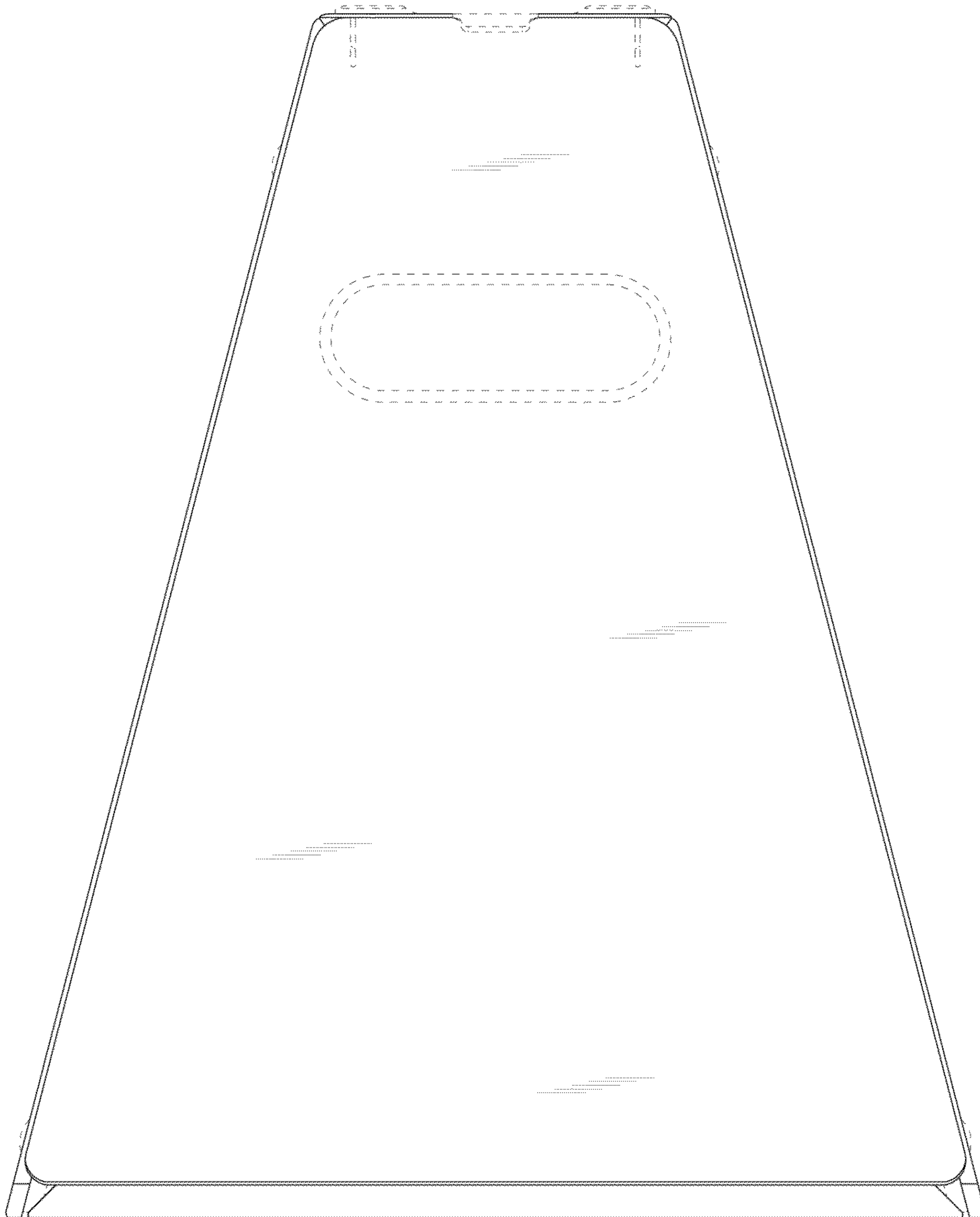


FIG.4

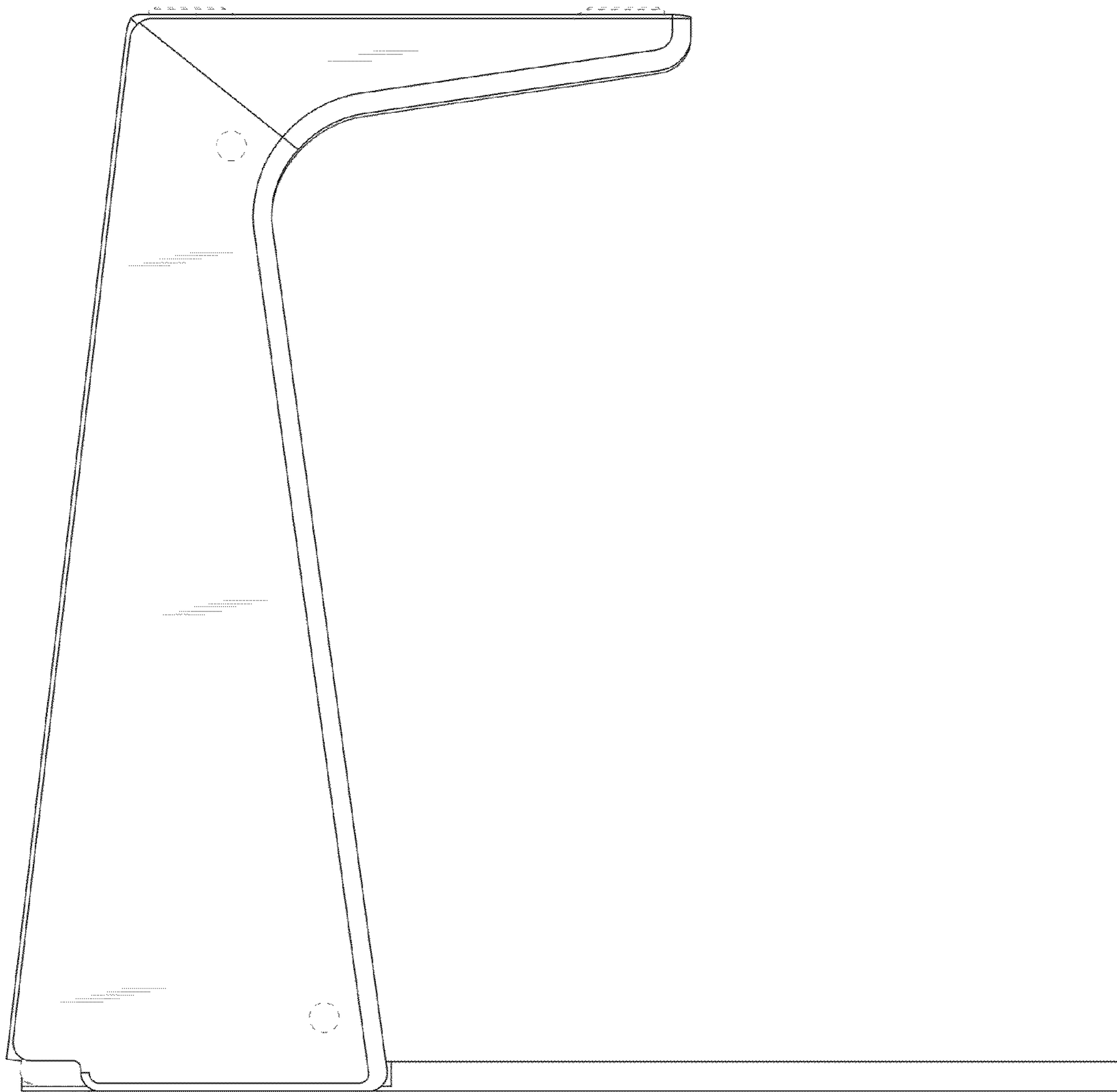


FIG.5

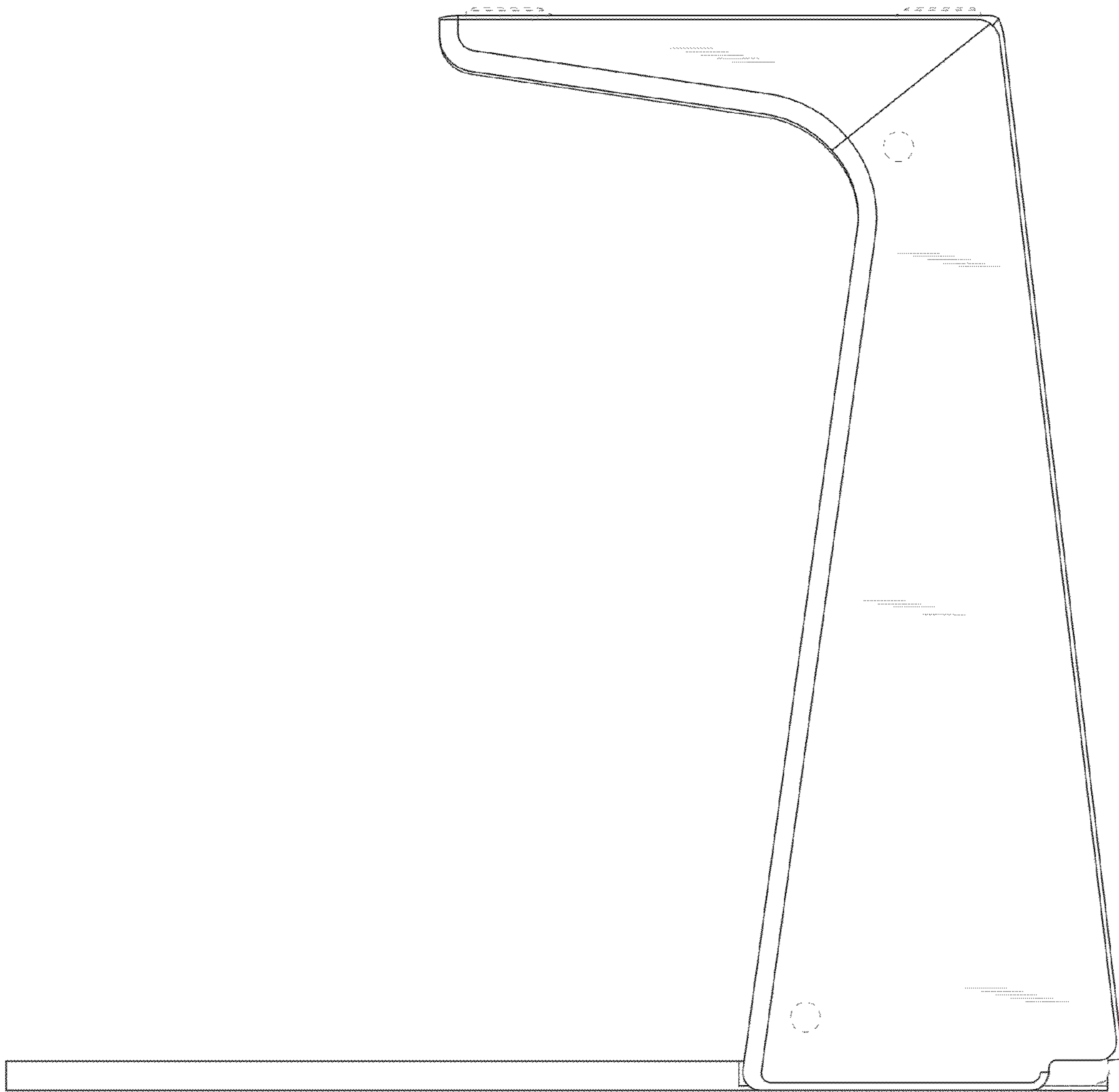


FIG.6

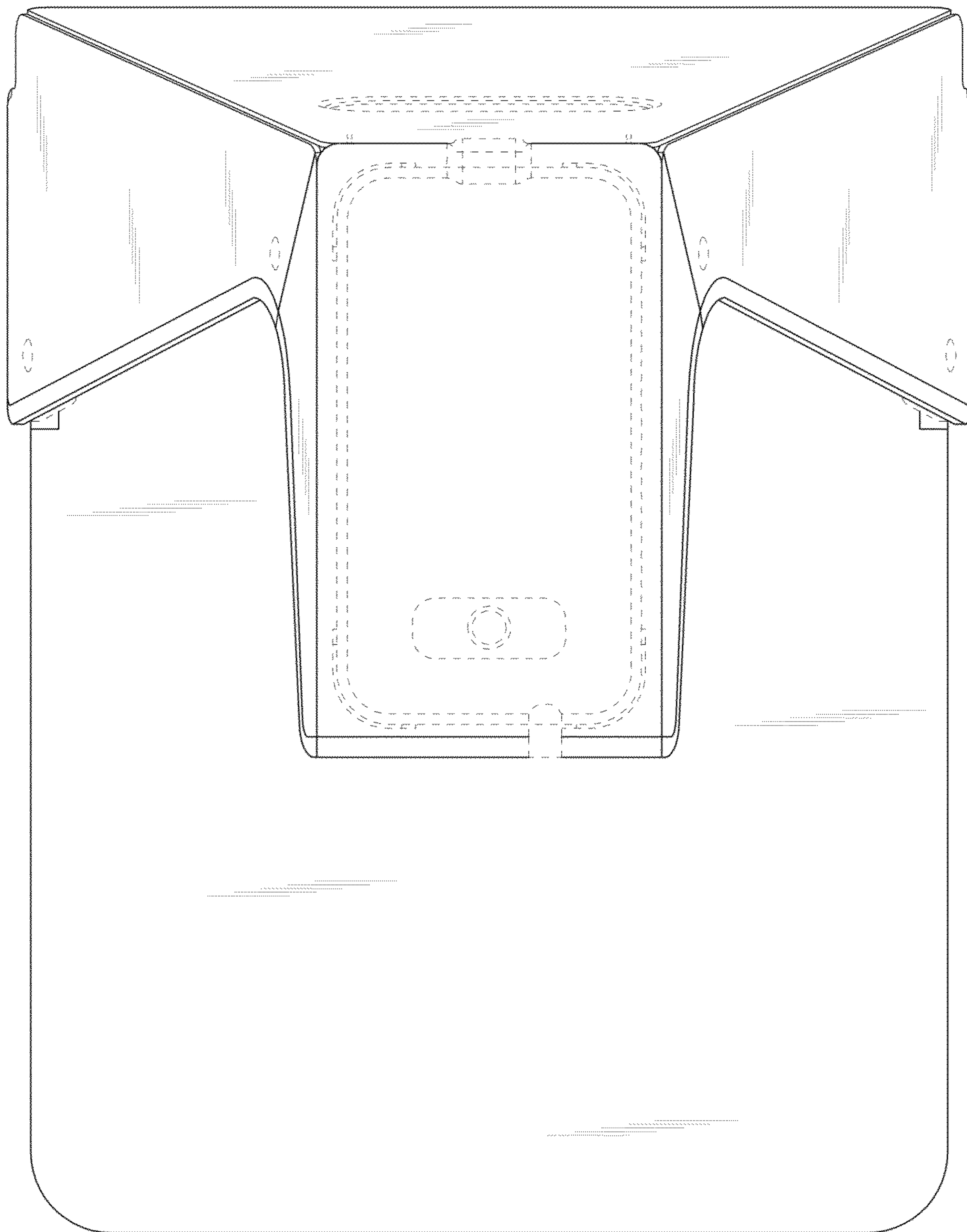


FIG.7

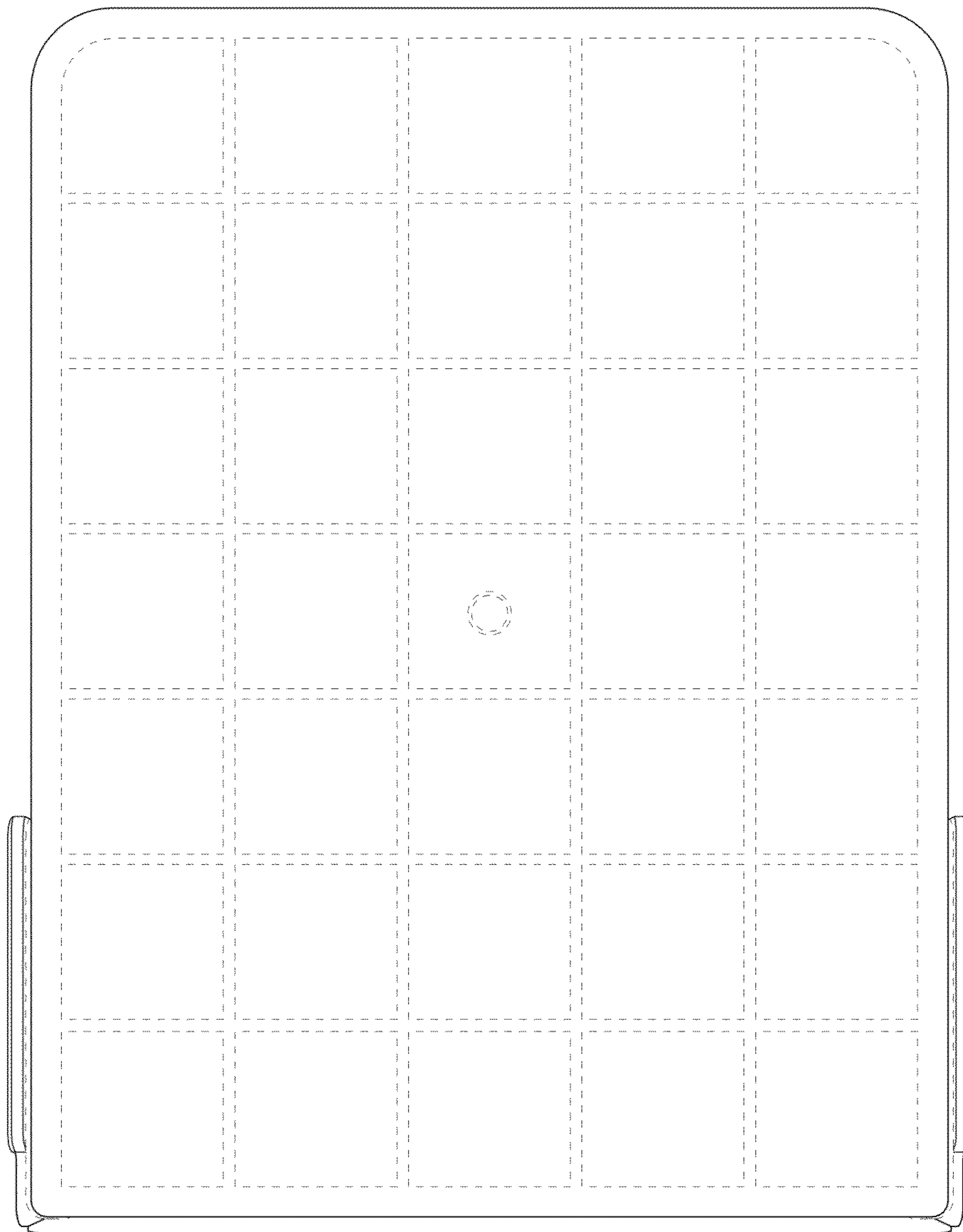




FIG.8

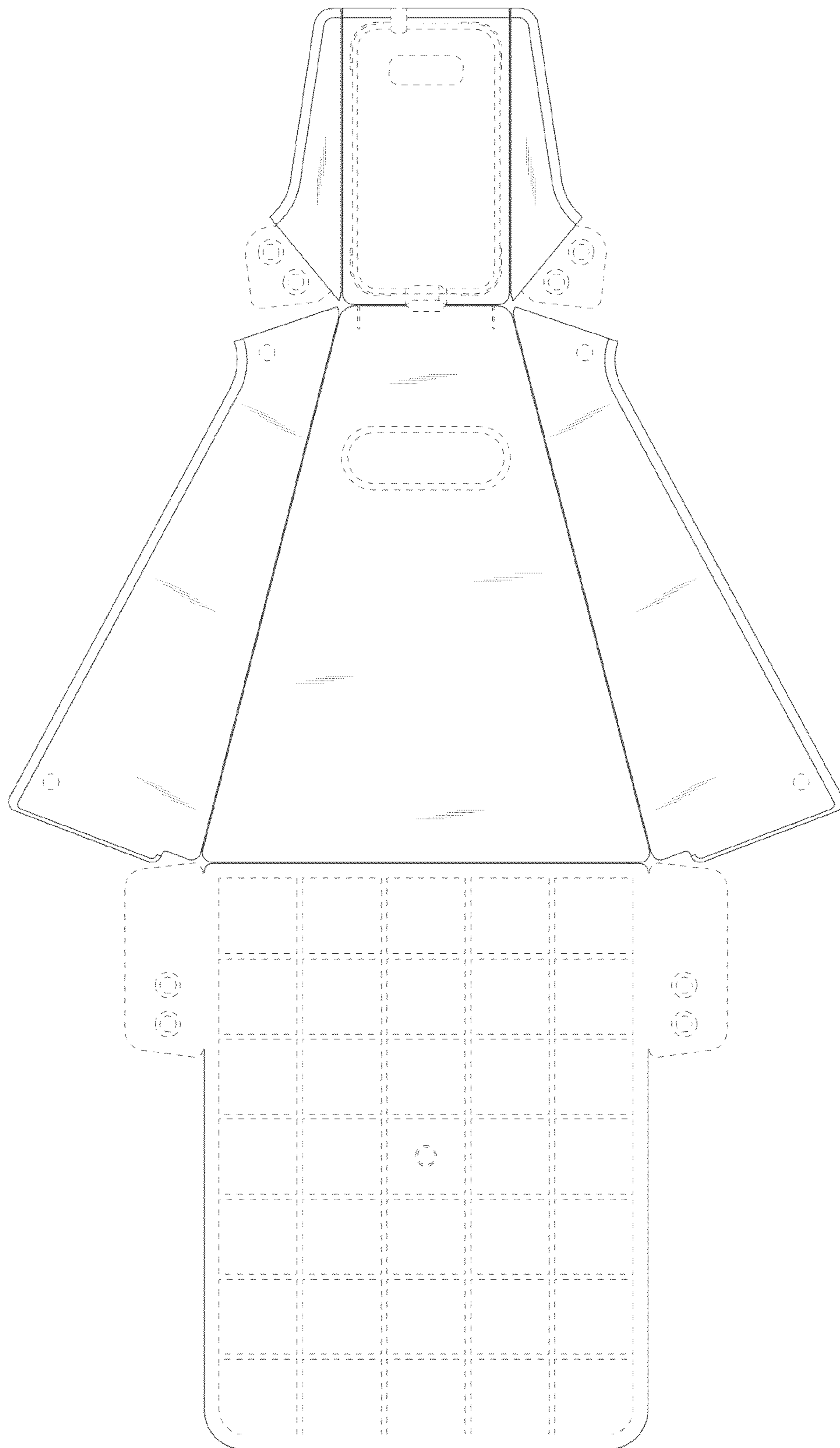


FIG.9

