

US00D730913S

(12) **United States Design Patent**  
**Shao**

(10) **Patent No.:** **US D730,913 S**  
(45) **Date of Patent:** **\*\* Jun. 2, 2015**

- (54) **TABLET COMPUTER SLEEVE**
- (71) Applicant: **AEVOE INTERNATIONAL LTD,**  
Tortola (VG)
- (72) Inventor: **Tzu-Ching Shao,** Taipei (TW)
- (73) Assignee: **AEVOE INTERNATIONAL LTD.,**  
Tortola (VG)
- (\*\*) Term: **14 Years**
- (21) Appl. No.: **29/484,621**
- (22) Filed: **Mar. 11, 2014**
- (51) **LOC (10) Cl.** ..... **14-02**
- (52) **U.S. Cl.**  
USPC ..... **D14/440**
- (58) **Field of Classification Search**  
USPC ..... D14/250, 251, 253, 240, 217, 496, 440,  
D14/203.3, 203.4, 203.5, 203.8, 341, 318;  
D3/218, 215, 201, 294, 289, 900;  
220/4.02; 248/309.1; 361/679.56;  
379/426, 433.11, 455; 455/575.1,  
455/575.8, 457.1; 190/100; 206/305, 320,  
206/45.2; D21/469; 312/240  
CPC ... G06F 1/1601; G06F 1/1626; G06F 1/1633;  
G06F 1/1675; G06F 1/1679; G02F 1/1306;  
G02F 1/133; G02F 1/133308; G02F 1/153;  
G02F 1/1533; G02F 2001/133317; H04M  
1/185; H04M 1/0252; H04B 1/3888  
See application file for complete search history.

(56) **References Cited**

**U.S. PATENT DOCUMENTS**

- 1,613,536 A \* 1/1927 Rose ..... 132/315
- D230,376 S \* 2/1974 Andrew ..... D19/91
- 4,259,568 A \* 3/1981 Dynesen ..... 235/1 D
- 6,772,879 B1 \* 8/2004 Domotor ..... 206/45.23
- 7,281,698 B2 \* 10/2007 Patterson, Jr. .... 248/458
- 7,414,833 B2 \* 8/2008 Kittayapong ..... 361/679.27

- 7,735,644 B2 \* 6/2010 Sirichai et al. .... 206/320
- D658,187 S \* 4/2012 Diebel ..... D14/440
- D658,188 S \* 4/2012 Diebel ..... D14/440
- D663,304 S \* 7/2012 Akana et al. .... D14/440
- 8,230,992 B2 \* 7/2012 Law et al. .... 206/320
- 8,245,843 B1 \* 8/2012 Wu ..... 206/320
- 8,312,991 B2 \* 11/2012 Diebel et al. .... 206/45.24
- D671,948 S \* 12/2012 Akana et al. .... D14/440
- D672,353 S \* 12/2012 Liu ..... D14/440
- D672,781 S \* 12/2012 Lu ..... D14/440
- D675,625 S \* 2/2013 Hasbrook et al. .... D14/440
- D678,260 S \* 3/2013 Bau ..... D14/250
- D679,279 S \* 4/2013 Yang et al. .... D14/440
- D679,715 S \* 4/2013 Akana et al. .... D14/440
- 8,424,830 B2 \* 4/2013 Yang et al. .... 248/459

(Continued)

*Primary Examiner* — Cynthia Underwood

(74) *Attorney, Agent, or Firm* — Novak Druce Connolly  
Bove + Quigg LLP

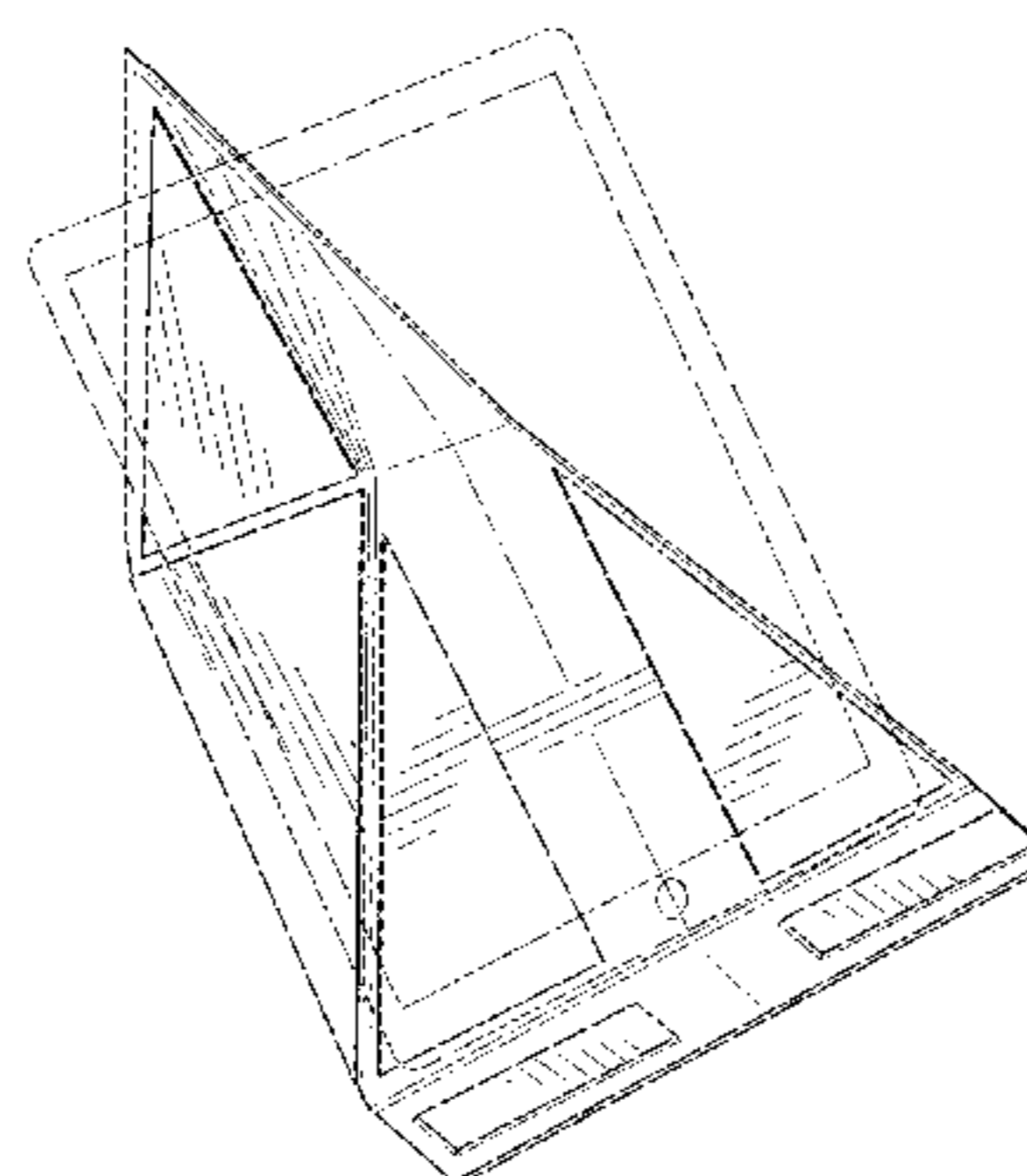
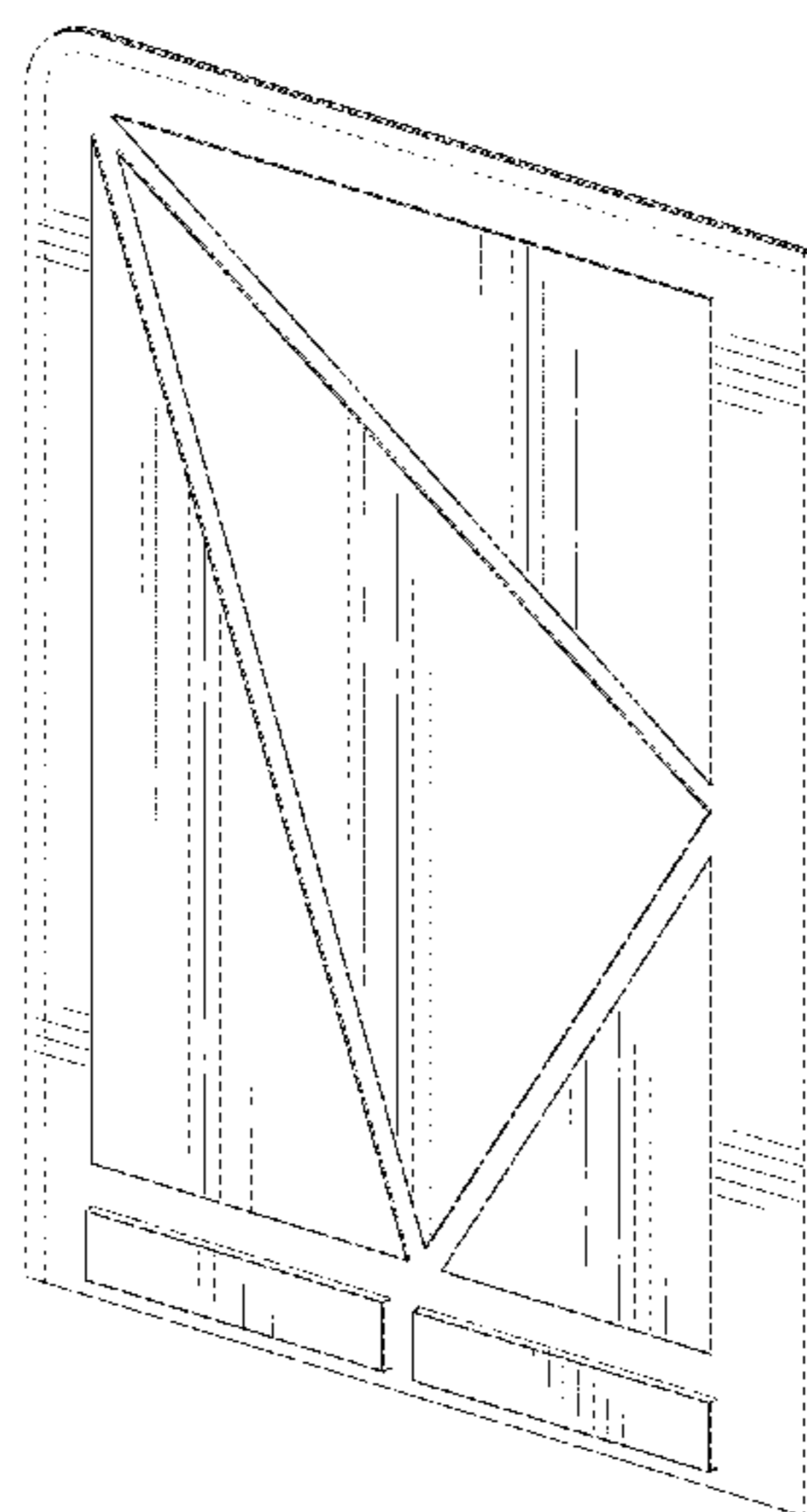
(57) **CLAIM**

I claim the ornamental design for a tablet computer sleeve, as shown and described.

**DESCRIPTION**

FIG. 1 is a perspective view of a tablet computer sleeve;  
 FIG. 2 is a front elevational view thereof;  
 FIG. 3 is a rear elevational view thereof;  
 FIG. 4 is a left side elevational view thereof;  
 FIG. 5 is a right side elevational view thereof;  
 FIG. 6 is a top plan view thereof;  
 FIG. 7 is a bottom plan view thereof;  
 FIG. 8 is a perspective view of the tablet computer sleeve in an alternate configuration;  
 FIG. 9 is another perspective view thereof; and,  
 FIG. 10 is a right side view thereof, (the left side view is a mirror image thereof, and is therefore not shown).  
 The broken lines seen on perimeter represent stitching and are part of the claim. The broken lines in FIG. 9 are to illustrate an environment of use for the tablet computer sleeve and no part of the claimed design.

**1 Claim, 8 Drawing Sheets**



(56)

References Cited

U.S. PATENT DOCUMENTS

D681,641 S *	5/2013	Van Den Nieuwenhuizen et al. ....	D14/440	D707,229 S *	6/2014	Almodova .....	D14/440
D682,836 S *	5/2013	Akana et al. ....	D14/440	8,757,375 B2 *	6/2014	Huang .....	206/320
D682,838 S *	5/2013	Akana et al. ....	D14/440	D708,838 S *	7/2014	Lee .....	D3/201
D683,141 S *	5/2013	Symons .....	D6/310	8,763,795 B1 *	7/2014	Oten et al. ....	206/45.23
D687,438 S *	8/2013	Lu .....	D14/440	8,766,921 B2 *	7/2014	Ballagas et al. ....	345/168
D690,305 S *	9/2013	Wen .....	D14/440	8,773,353 B2 *	7/2014	Wei .....	345/156
D690,702 S *	10/2013	Chung .....	D14/440	8,783,458 B2 *	7/2014	Gallagher et al. ....	206/320
D691,142 S *	10/2013	Diebel .....	D14/440	D710,859 S *	8/2014	Mecchella et al. ....	D14/440
D692,434 S *	10/2013	Kim .....	D14/440	8,797,132 B2 *	8/2014	Childs et al. ....	335/219
D693,823 S *	11/2013	Chen et al. ....	D14/440	2003/0034263 A1 *	2/2003	D'Hoste .....	206/320
D695,296 S *	12/2013	Hsu .....	D14/440	2008/0302687 A1 *	12/2008	Sirichai et al. ....	206/320
D696,253 S *	12/2013	Akana et al. ....	D14/345	2009/0159763 A1 *	6/2009	Kim .....	248/174
D696,256 S *	12/2013	Piedra et al. ....	D14/440	2011/0266194 A1 *	11/2011	Bau .....	206/736
D696,669 S *	12/2013	Akana et al. ....	D14/440	2011/0290687 A1 *	12/2011	Han .....	206/320
8,640,864 B2 *	2/2014	Chen et al. ....	206/45.2	2012/0211377 A1 *	8/2012	Sajid .....	206/216
8,657,112 B2 *	2/2014	Igarashi .....	206/320	2012/0211613 A1 *	8/2012	Yang et al. ....	248/174
D701,205 S *	3/2014	Akana et al. ....	D14/345	2012/0305413 A1 *	12/2012	Chung .....	206/45.23
D702,673 S *	4/2014	Murchison et al. ....	D14/250	2012/0308981 A1 *	12/2012	Libin et al. ....	434/362
D704,689 S *	5/2014	Chang .....	D14/250	2013/0015088 A1 *	1/2013	Wu .....	206/320
D704,693 S *	5/2014	Kim .....	D14/250	2013/0020216 A1 *	1/2013	Chiou .....	206/320
D706,270 S *	6/2014	Akana et al. ....	D14/440	2013/0140203 A1 *	6/2013	Chiang .....	206/320
D706,783 S *	6/2014	Almodova .....	D14/440	2013/0213838 A1 *	8/2013	Tsai et al. ....	206/320
				2013/0214661 A1 *	8/2013	McBroom .....	312/325
				2013/0241381 A1 *	9/2013	Hynecek et al. ....	312/240
				2013/0258586 A1	10/2013	Shao et al.	
				2013/0264459 A1 *	10/2013	McCosh et al. ....	248/688

\* cited by examiner

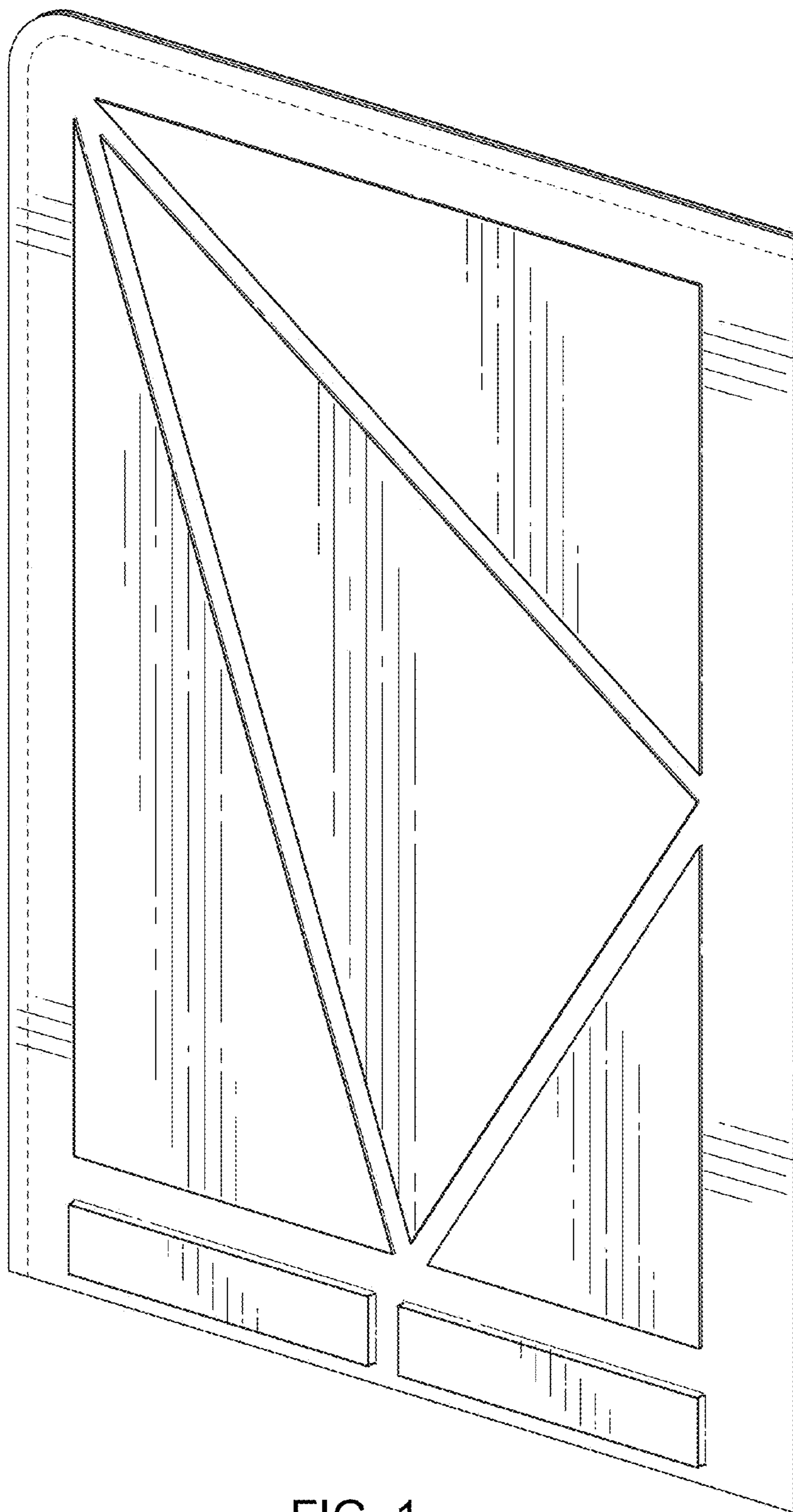


FIG. 1

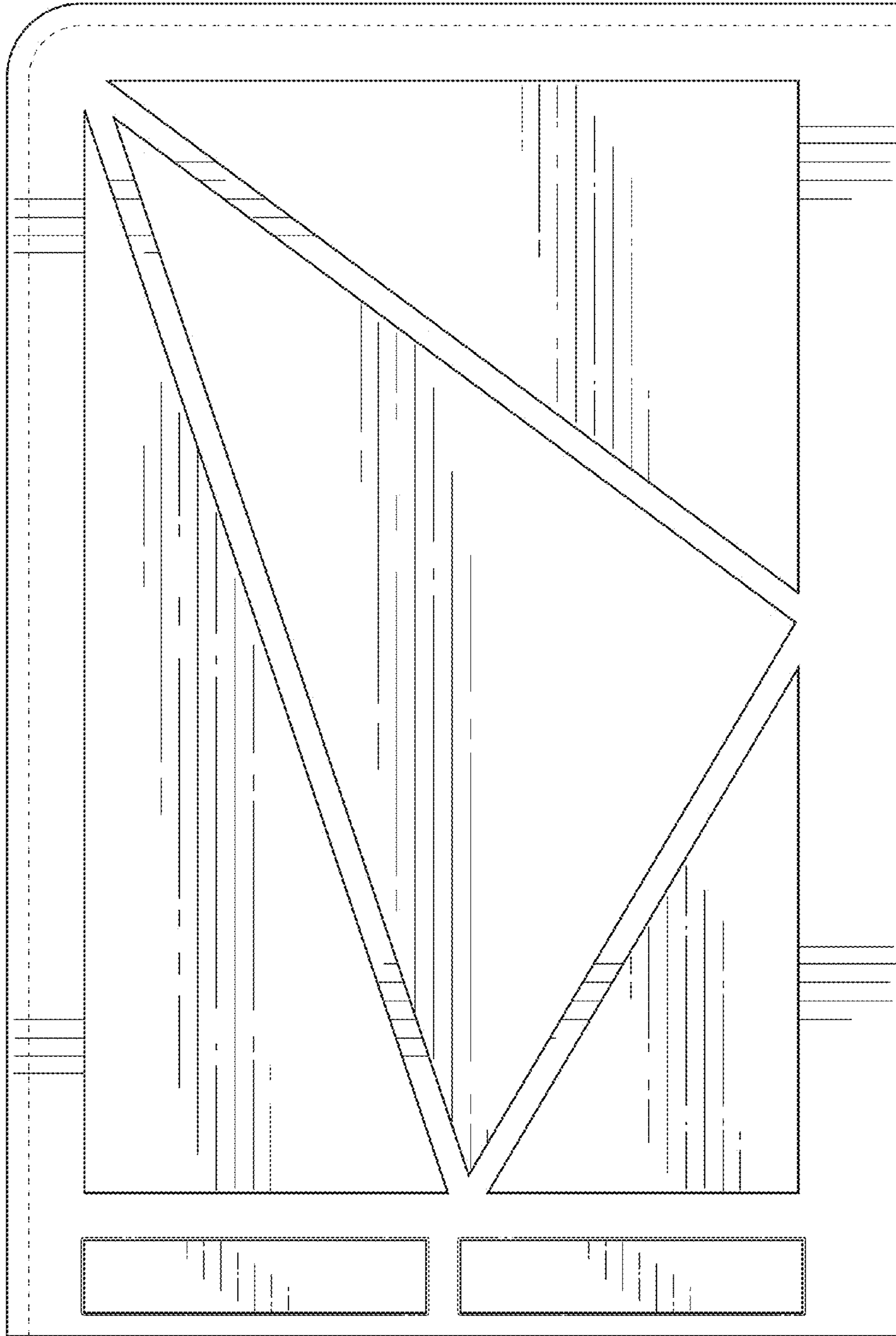


FIG. 2

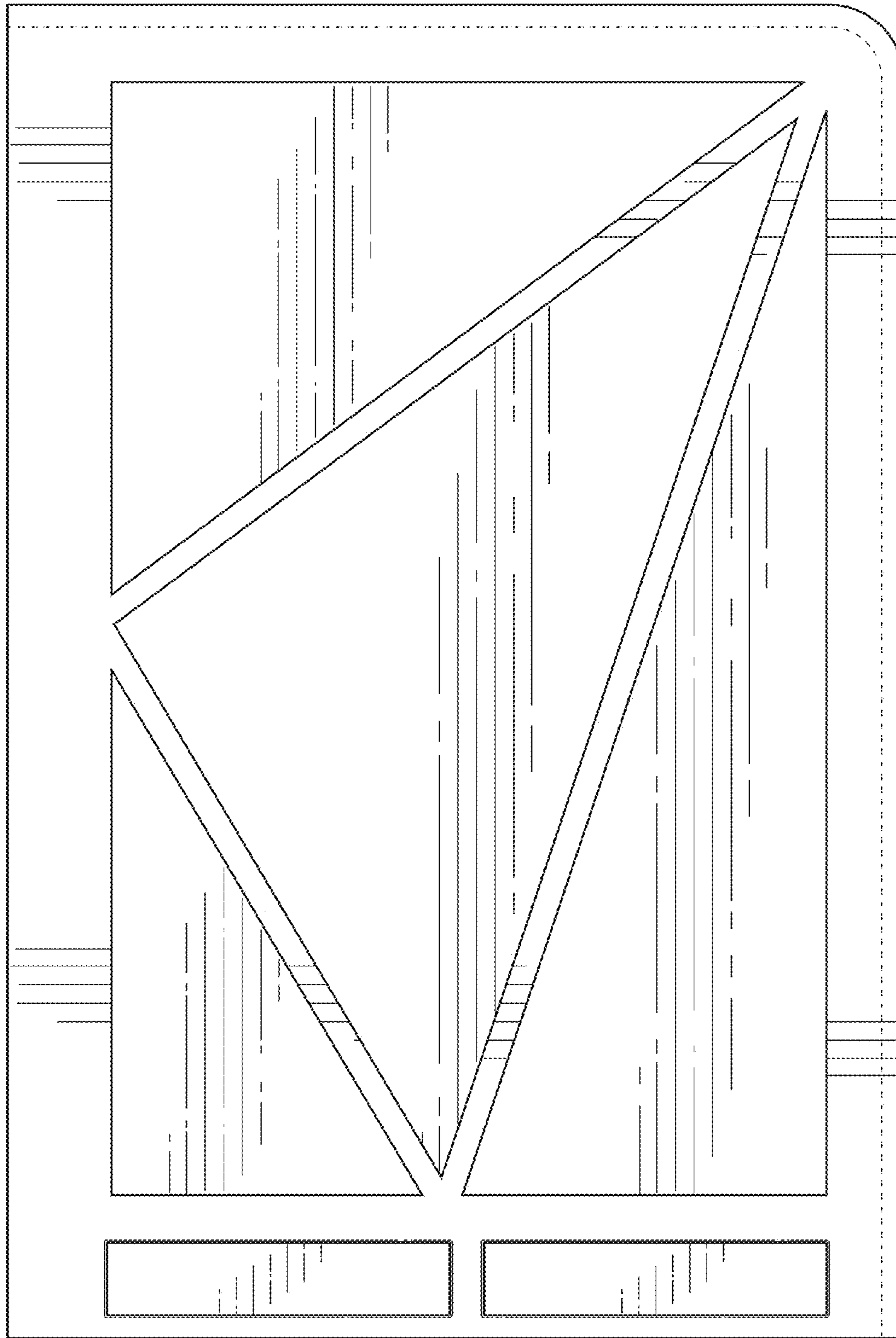


FIG. 3

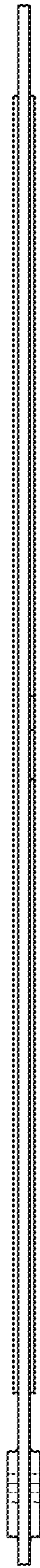


FIG. 4



FIG. 5

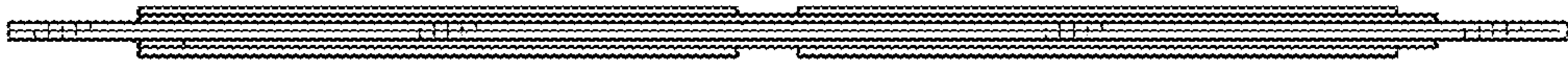


FIG. 6

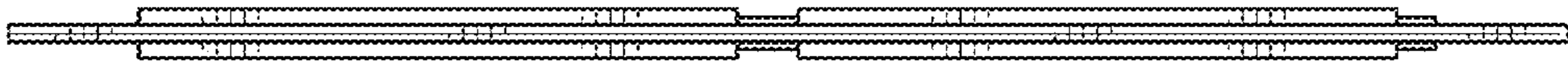


FIG. 7

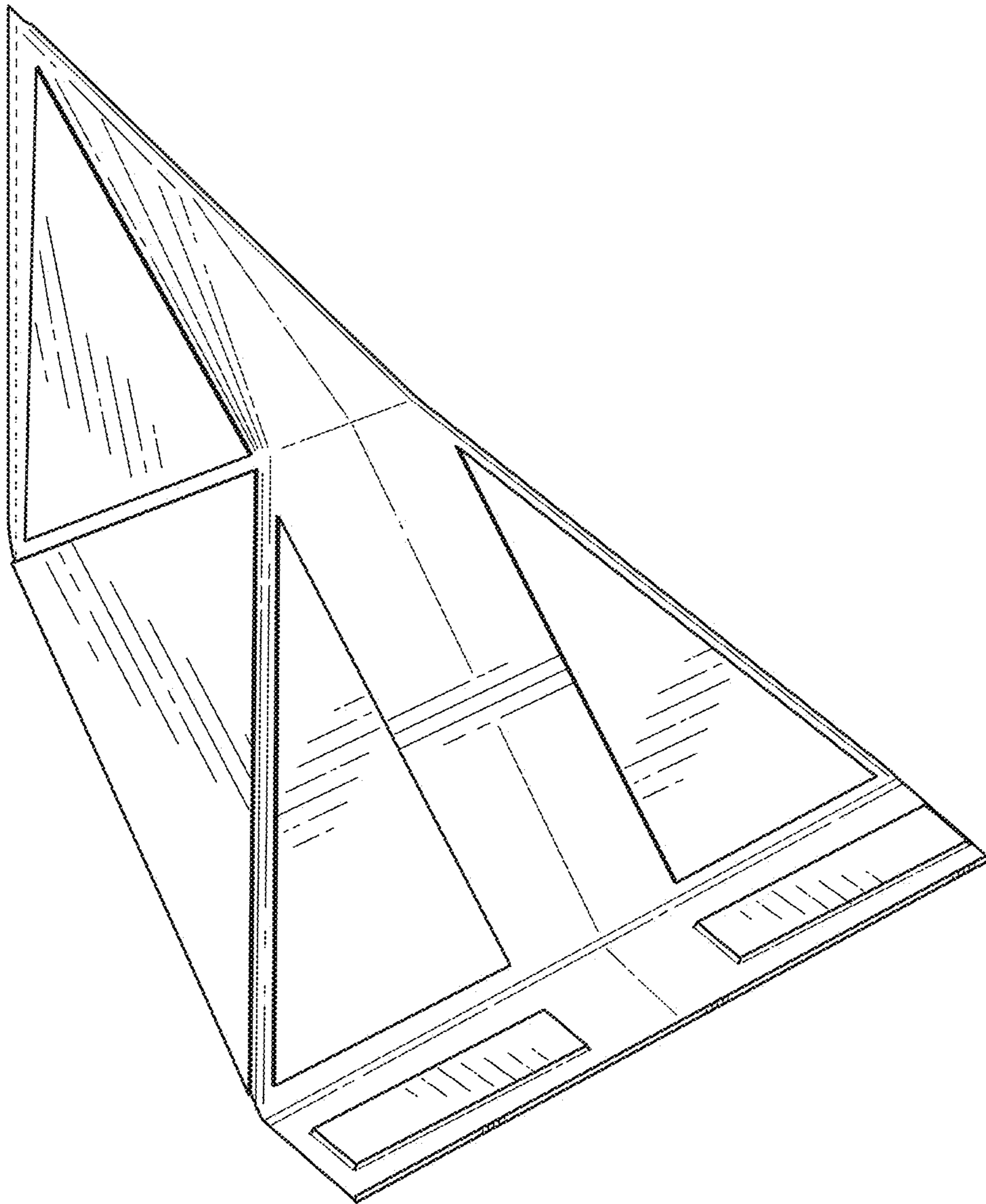


FIG. 8



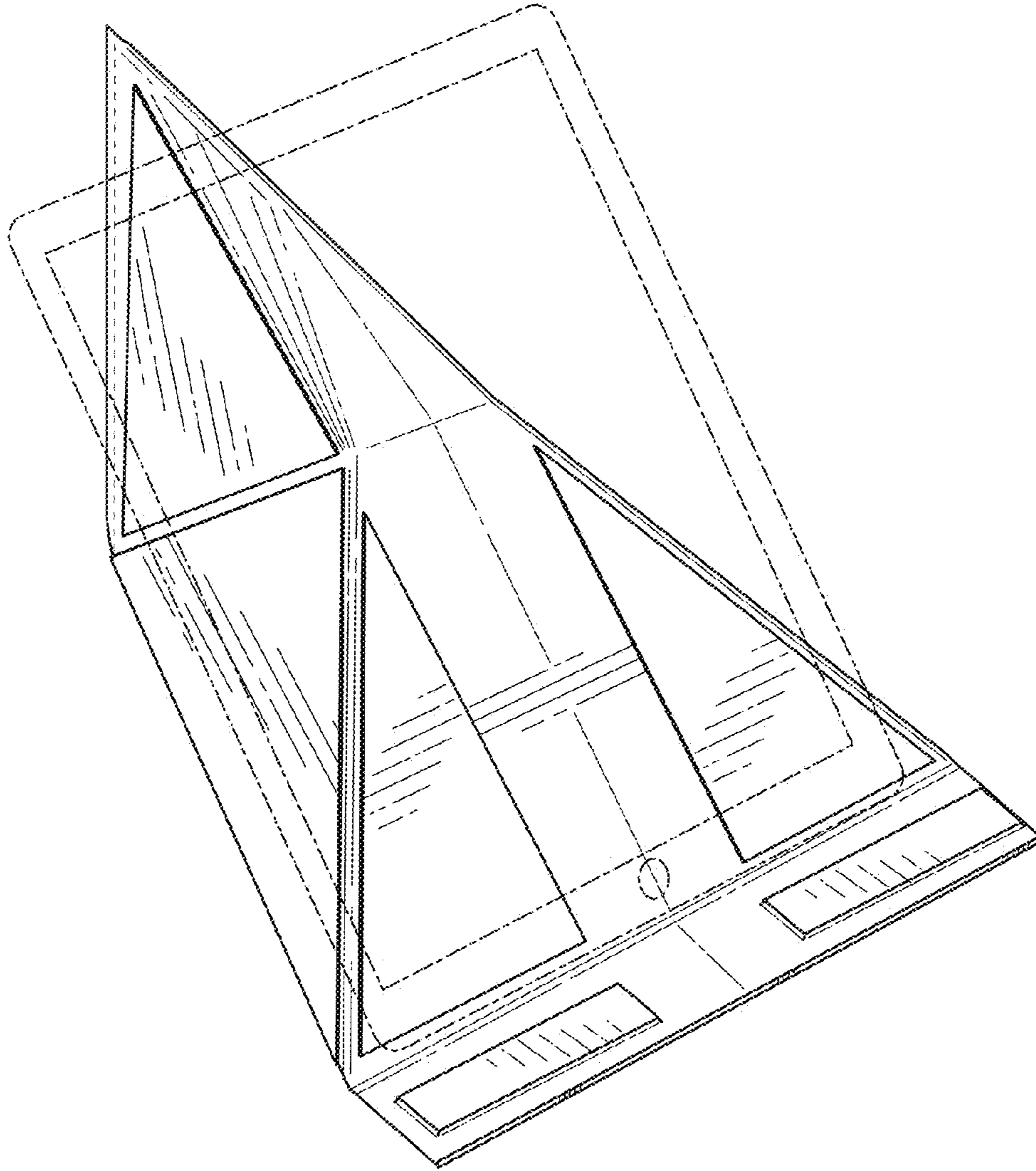


FIG. 9

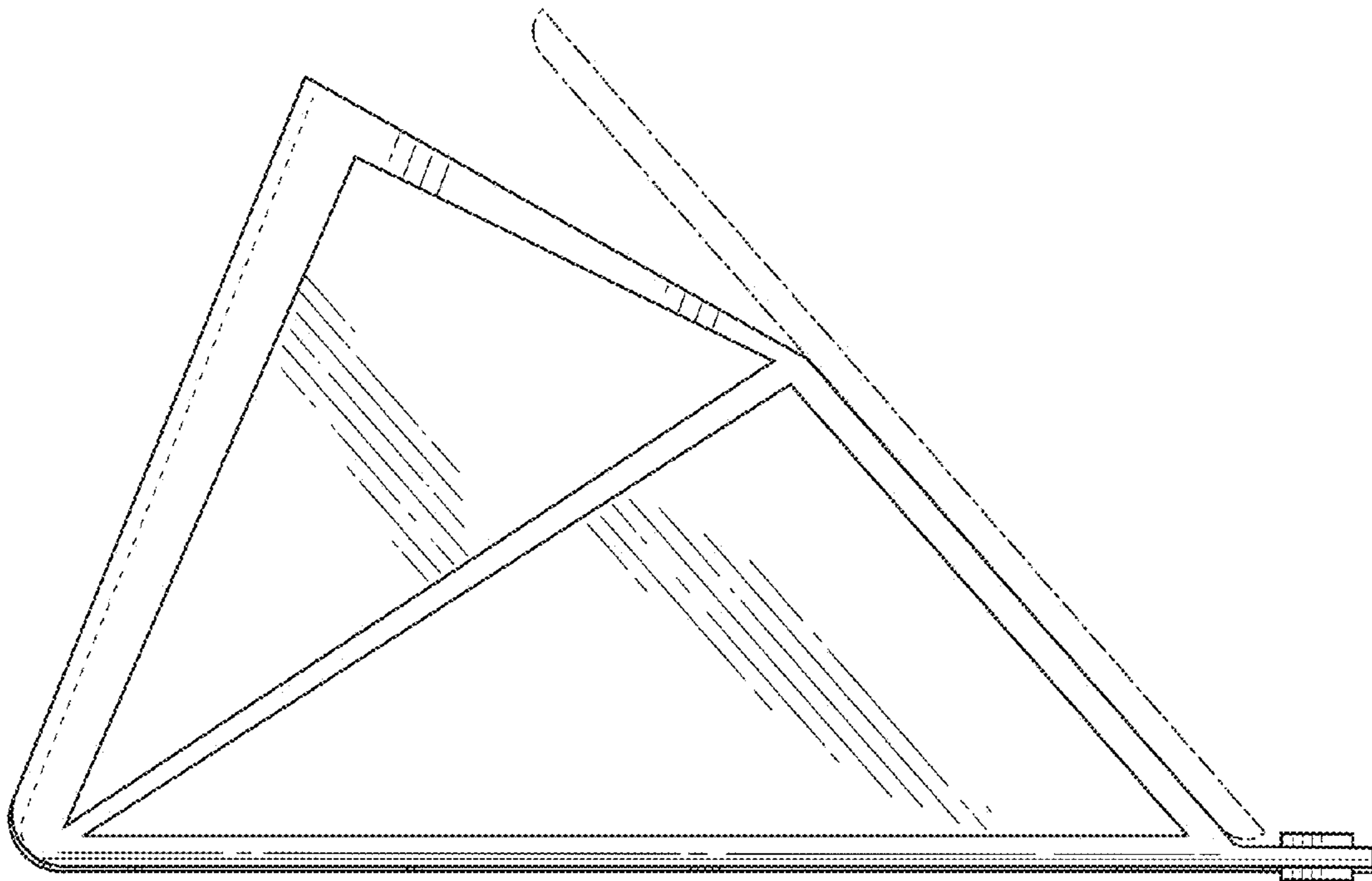


FIG. 10