



US00D730910S

(12) **United States Design Patent**  
**Lim et al.**

(10) **Patent No.:** **US D730,910 S**  
(45) **Date of Patent:** **\*\* Jun. 2, 2015**

(54) **MEMORY CARD**

(71) Applicant: **SAMSUNG ELECTRONICS CO., LTD.**, Suwon-si (KR)

(72) Inventors: **Gwang-Man Lim**, Seoul (KR); **Il-Mok Kang**, Suwon-si (KR); **Seok-Jae Han**, Seoul (KR); **Sang-Chul Kang**, Hwaseong-si (KR); **Seok-Cheon Kwon**, Yongin-si (KR); **Seok-Chan Lee**, Hwaseong-si (KR)

(73) Assignee: **SAMSUNG ELECTRONICS CO., LTD.**, Suwon-si (KR)

(\*\*) Term: **14 Years**

(21) Appl. No.: **29/507,456**

(22) Filed: **Oct. 28, 2014**

(30) **Foreign Application Priority Data**

May 2, 2014 (KR) ..... 30-2014-0022383

(51) **LOC (10) Cl.** ..... **14-02**

(52) **U.S. Cl.**  
USPC ..... **D14/436**

(58) **Field of Classification Search**

USPC ..... D14/435-438, 478-480; 235/441, 443, 235/487, 492, 493, 495; 361/737, 679, 752, 361/736, 728, 796, 797, 729, 730, 361/725-727; 257/678, 679, 693, E23.064; 439/946, 948, 159; 174/250, 260, 52.1, 174/52.2; 710/300-303; 438/121

CPC ..... G06K 19/06196; G06K 19/072; G06K 19/0721; G06K 19/0722; G06K 19/0723; G06K 19/0724; G06K 19/0725; G06K 19/0726; G06K 19/0727; G06K 19/0728; G06K 19/073; G06K 19/07309; G06K 19/077; G06K 19/07701; G06K 19/07715; G06K 19/0772; G06K 19/07722; G06K 19/07724; G06K 19/07726; G06K 19/07728; G06K 19/0773; G06K 19/07735; G06K 19/07737; G06K 19/07739; G06K 19/07741; G06K

19/07743; G06K 19/07745; G06K 19/07747; G06K 19/07749; G06K 19/07758; G06K 19/07767; G06K 19/07769; G06K 19/07771; G06K 19/07773; G06K 19/07775; G06K 19/083; G06K 19/086; G06K 19/145; G06K 19/18; G06K 2215/0022; G06K 2215/0025; G06K 2215/0028; G06K 2215/0031; G06K 2215/004; G06K 2215/0082; G06F 21/77-21/80; G06F 21/85-21/88; G06F 21/00; G06Q 20/3229; G06Q 20/34; G06Q 20/341; G06Q 20/346; G06Q 20/349; G06Q 20/3563; G06Q 20/3567; G06Q 20/357; G06Q 20/3576; H05K 5/026; H05K 5/0256; H05K 5/0265; H05K 5/0269; H05K 5/0273; H05K 5/0278; H05K 5/0282; H05K 5/0286; H05K 5/0291; H05K 5/0295; H05K 5/03; H05K 5/04; H05K 5/06; H05K 5/061; H05K 5/062; H05K 5/063; H05K 5/064; H05K 5/065; H05K 5/066; H05K 5/067; H05K 5/068; H05K 5/069; H05K 7/00; H05K 7/005; H05K 7/02; H05K 7/023; H05K 7/026; H05K 7/04; H05K 7/10; H05K 7/1418; H05K 7/142; H05K 7/1424; H05K 7/1427-7/1439; H05K 7/1461; H05K 7/1464-7/1474; H05K 7/1479; H05K 7/1481; H05K 7/1485-7/1488; H05K 2201/09745; H05K 2201/09754; H05K 2201/09763; H05K 2201/09772; H05K 2201/098; H05K 2201/09818; H05K 2201/10; H05K 2201/10007; H05K 2201/10098; H05K 2201/10143; H05K 2201/10159; H05K 2201/10174; H05K 2201/10212; H05K 2201/1028; H05K 2201/1031; H05K 2201/10431; H05K 2201/22; H05K 2201/10462; H05K 2201/10545; H05K 2201/10553; H05K 2201/1056; H05K 2201/10621; H05K 2201/10636; H05K 2203/05; H05K 3/368; H05K 3/3436; H05K 3/36; H05K 3/40; H05K 3/4007; H05K 3/4015; H05K 3/403; H05K 3/4053; H05K 3/4092; H05K 3/42; H05K 3/421; H05K 3/46; H05K 1/14; H05K 1/141; H05K 1/142; H05K 1/144; H05K 1/145; H05K 1/182; H04N 2201/216

See application file for complete search history.

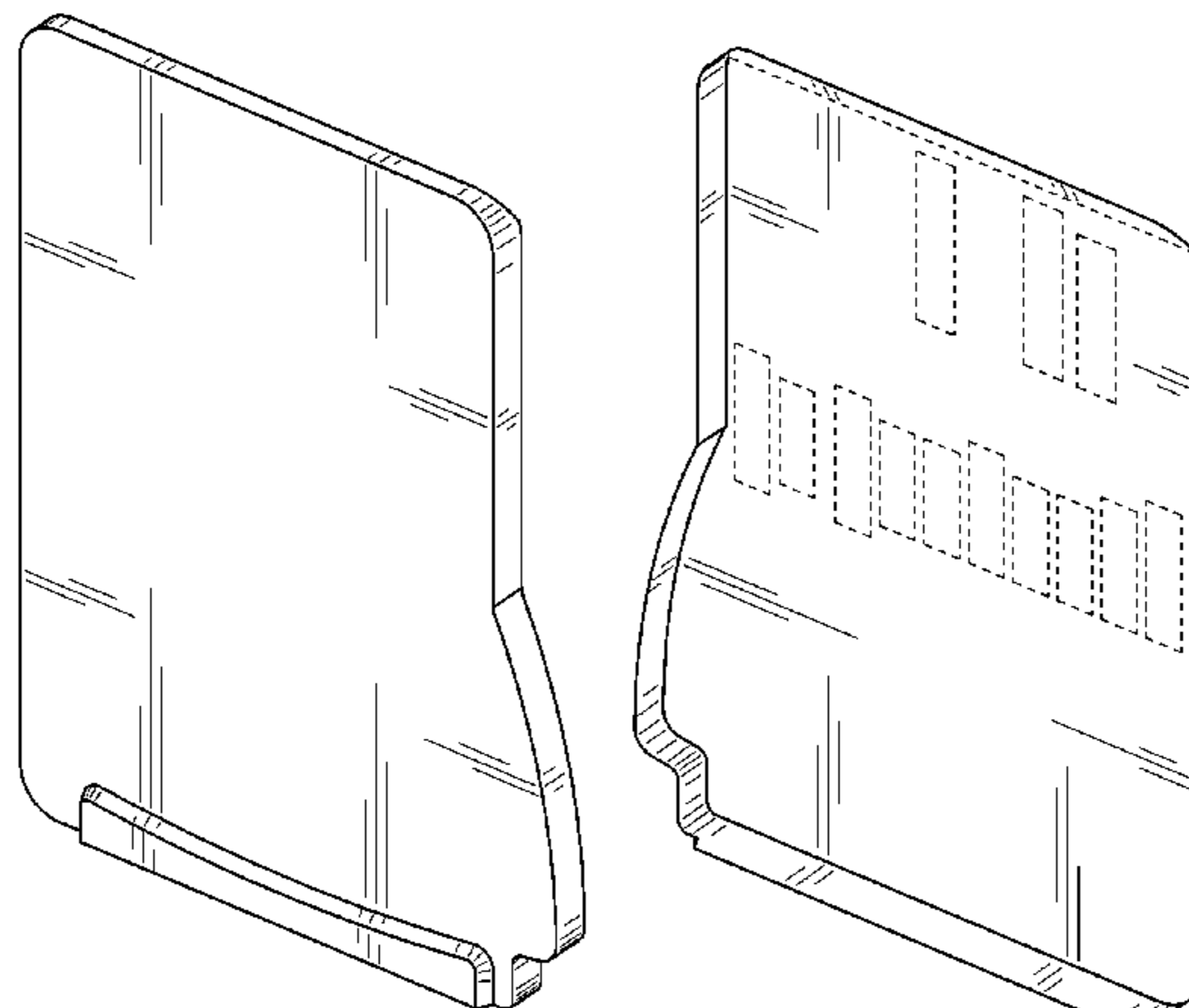




FIG. **5** is a right-side view thereof;  
FIG. **6** is a top plan view thereof;  
FIG. **7** is a bottom plan view thereof; and,  
FIG. **8** is a rear perspective view thereof.

Broken lines and entirely unshaded portions contained within  
broken line are not claimed.

**1 Claim, 6 Drawing Sheets**

FIG. 1



FIG. 2

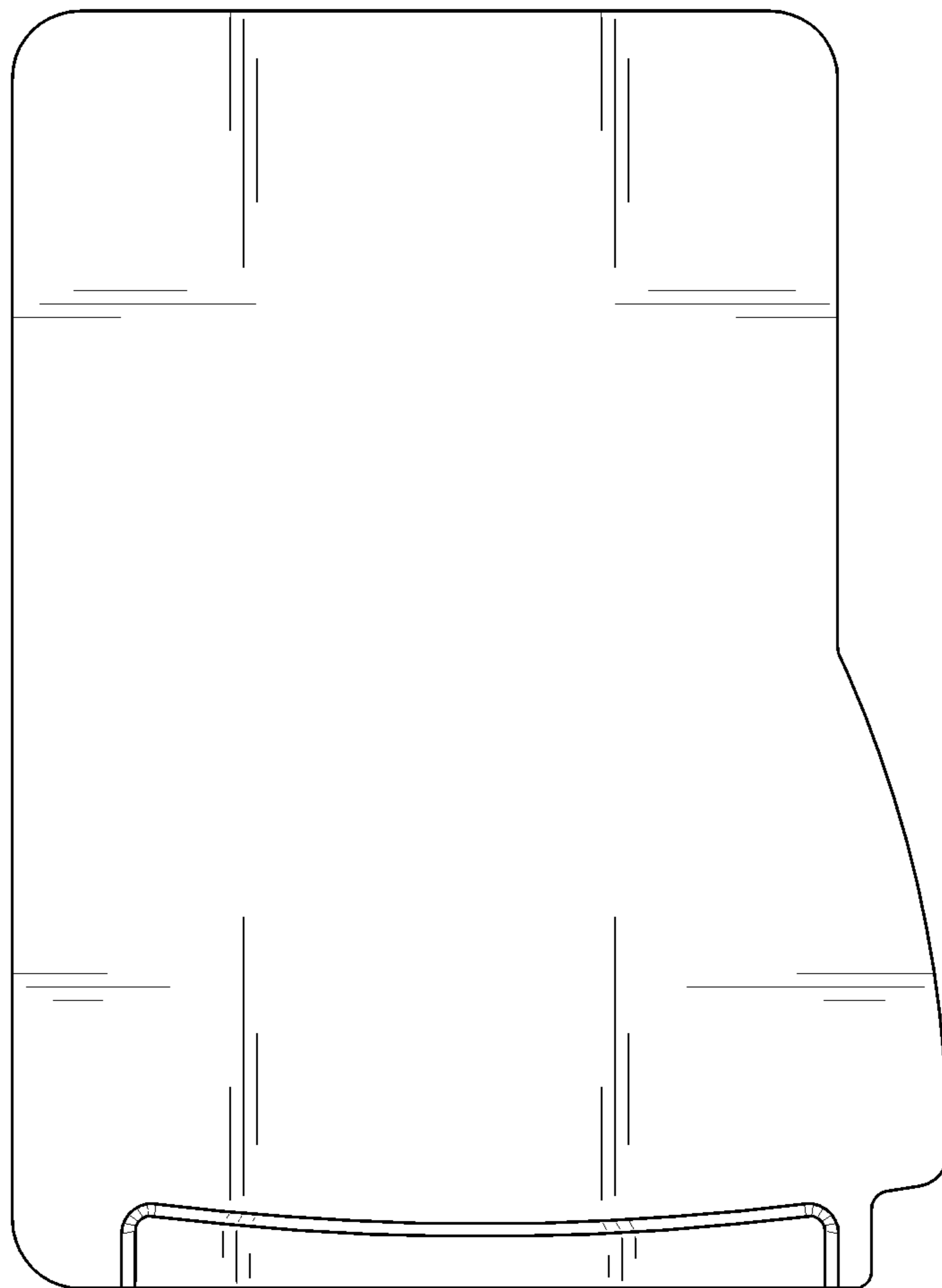


FIG. 3

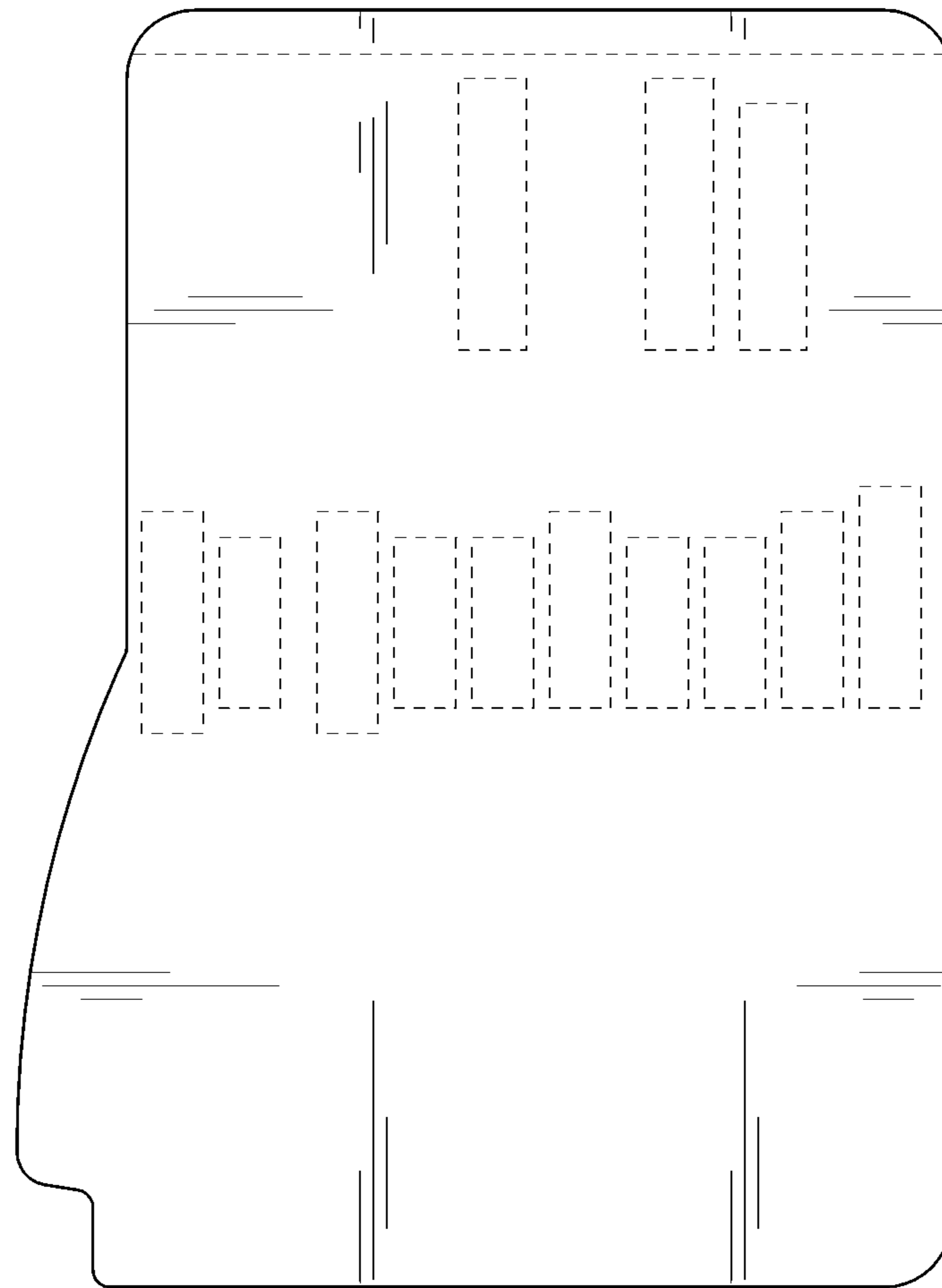


FIG. 4



FIG. 5

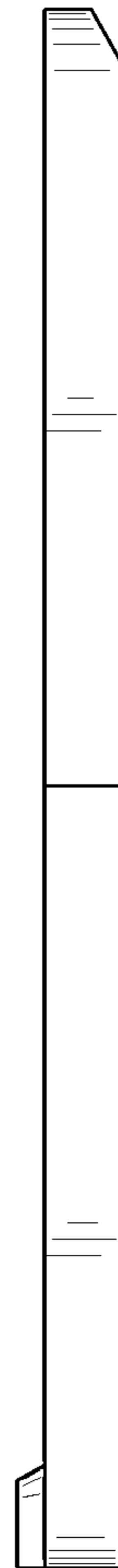


FIG. 6

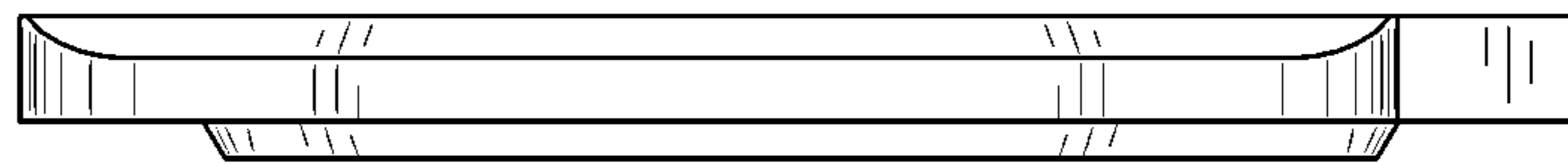


FIG. 7





FIG. 8

