



US00D730905S

(12) **United States Design Patent**
Li

(10) **Patent No.:** **US D730,905 S**
(45) **Date of Patent:** **** Jun. 2, 2015**

(54) **DOCKING STATION**

(71) Applicant: **GETAC TECHNOLOGY CORPORATION**, Hsinchu County (TW)

(72) Inventor: **Chun-Hsing Li**, Taipei (TW)

(73) Assignee: **Getac Technology Corporation**, Hsinchu County (TW)

(**) Term: **14 Years**

(21) Appl. No.: **29/461,130**

(22) Filed: **Jul. 18, 2013**

(51) **LOC (10) Cl.** **14-02**

(52) **U.S. Cl.**
USPC **D14/434**

(58) **Field of Classification Search**
USPC D14/217, 432, 434; D8/373; D13/107, D13/108, 146; 248/176.1; 320/109, 320/112-115; 361/679.4, 679.31-679.33, 361/679.41, 679.43, 679.55; 455/557; 710/15, 303
CPC F16M 11/10

See application file for complete search history.

(56) **References Cited**

U.S. PATENT DOCUMENTS

D359,034 S *	6/1995	Kondo	D14/434
D391,928 S *	3/1998	Kondo et al.	D14/434
D396,454 S *	7/1998	Shima et al.	D14/434
D423,473 S *	4/2000	Iwamoto	D14/434
D504,893 S *	5/2005	Araki	D14/434

* cited by examiner

Primary Examiner — Freda S Nunn

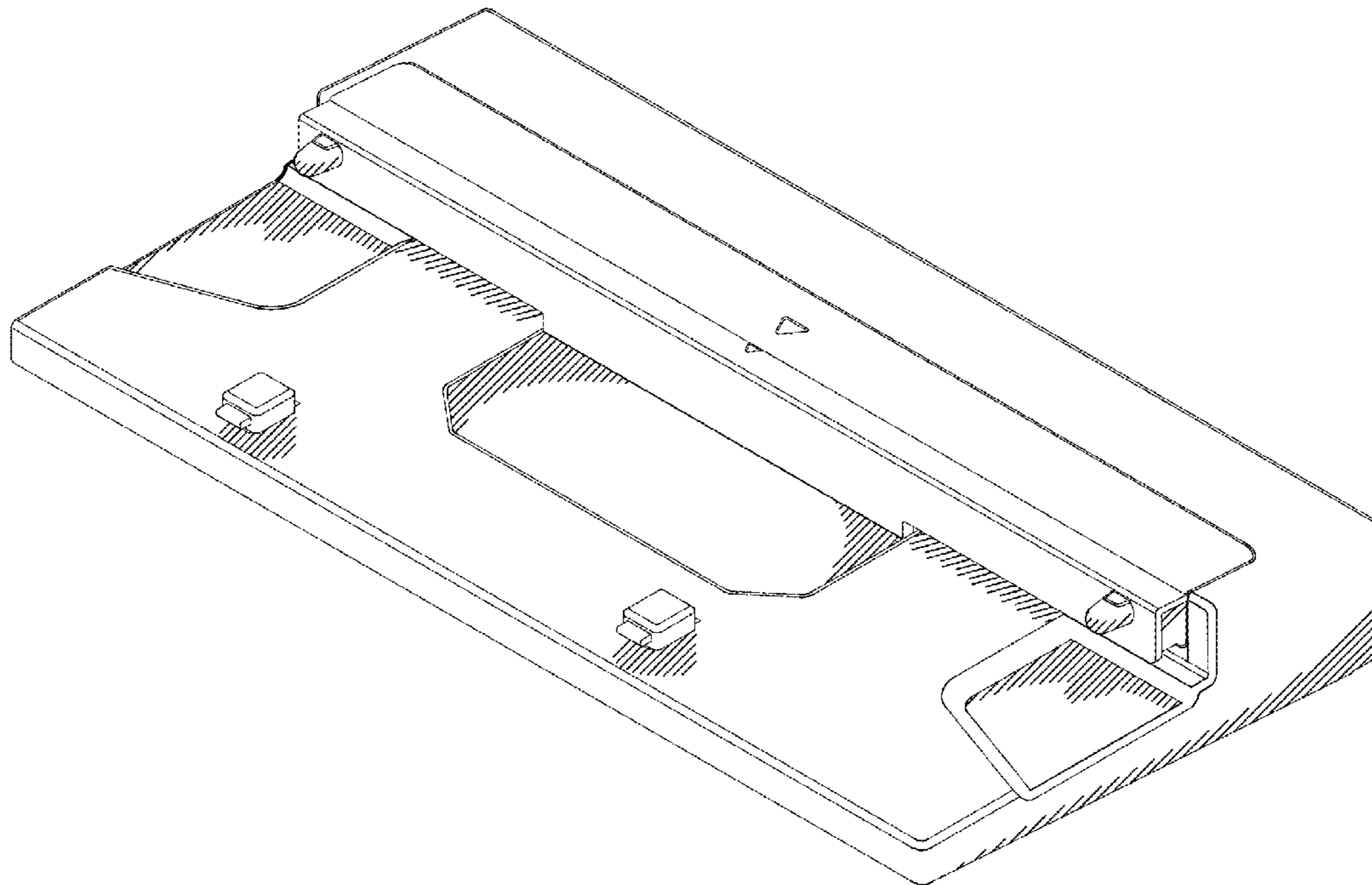
(57) **CLAIM**

The ornamental design for a docking station, as shown and described.

DESCRIPTION

FIG. 1 is a perspective view showing a docking station of my new design;
FIG. 2 is a top view;
FIG. 3 is a bottom side view thereof;
FIG. 4 is a left side view thereof;
FIG. 5 is a right side view thereof;
FIG. 6 is a front view thereof; and,
FIG. 7 is a rear view thereof.

1 Claim, 7 Drawing Sheets



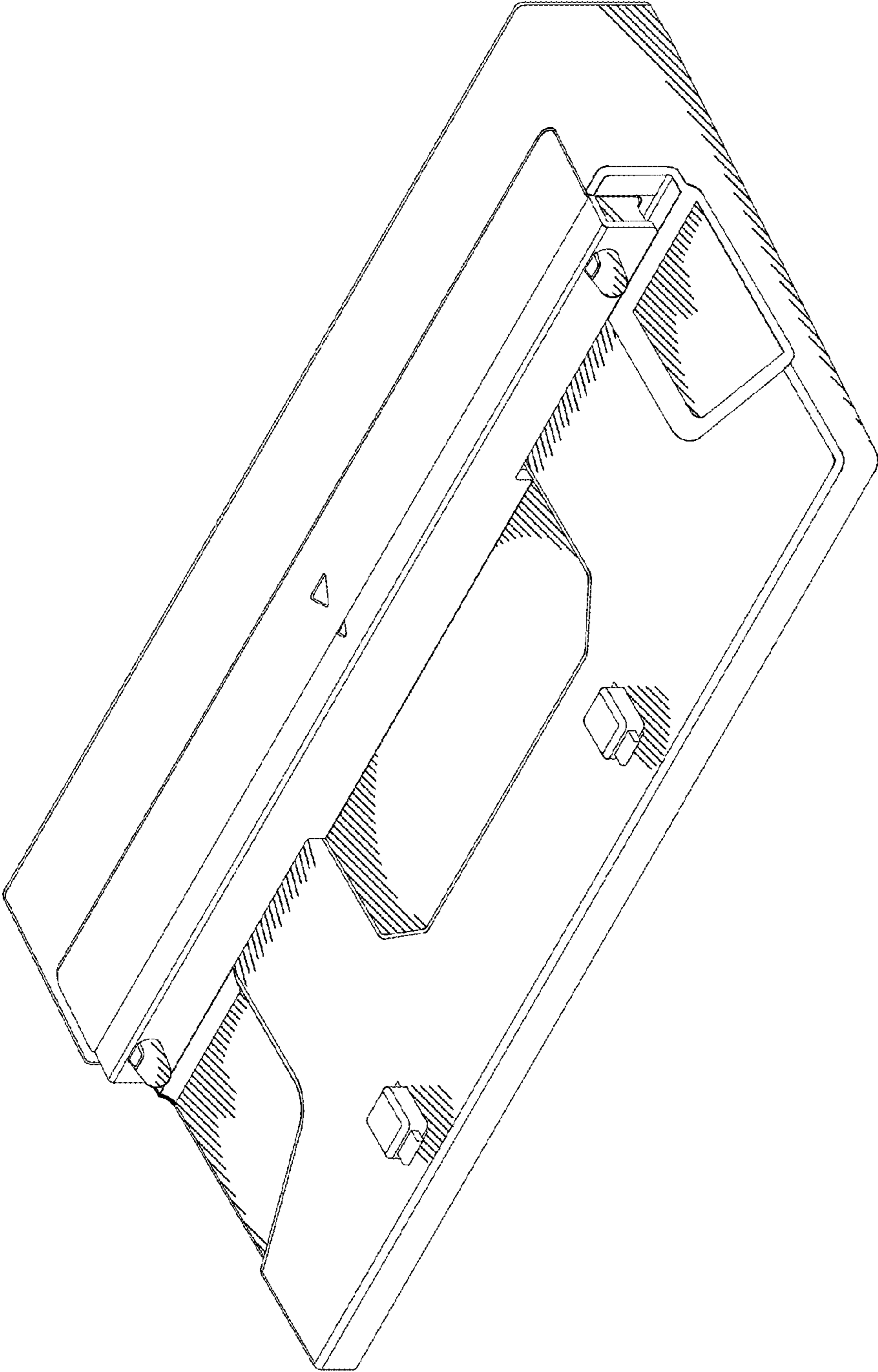


FIG. 1

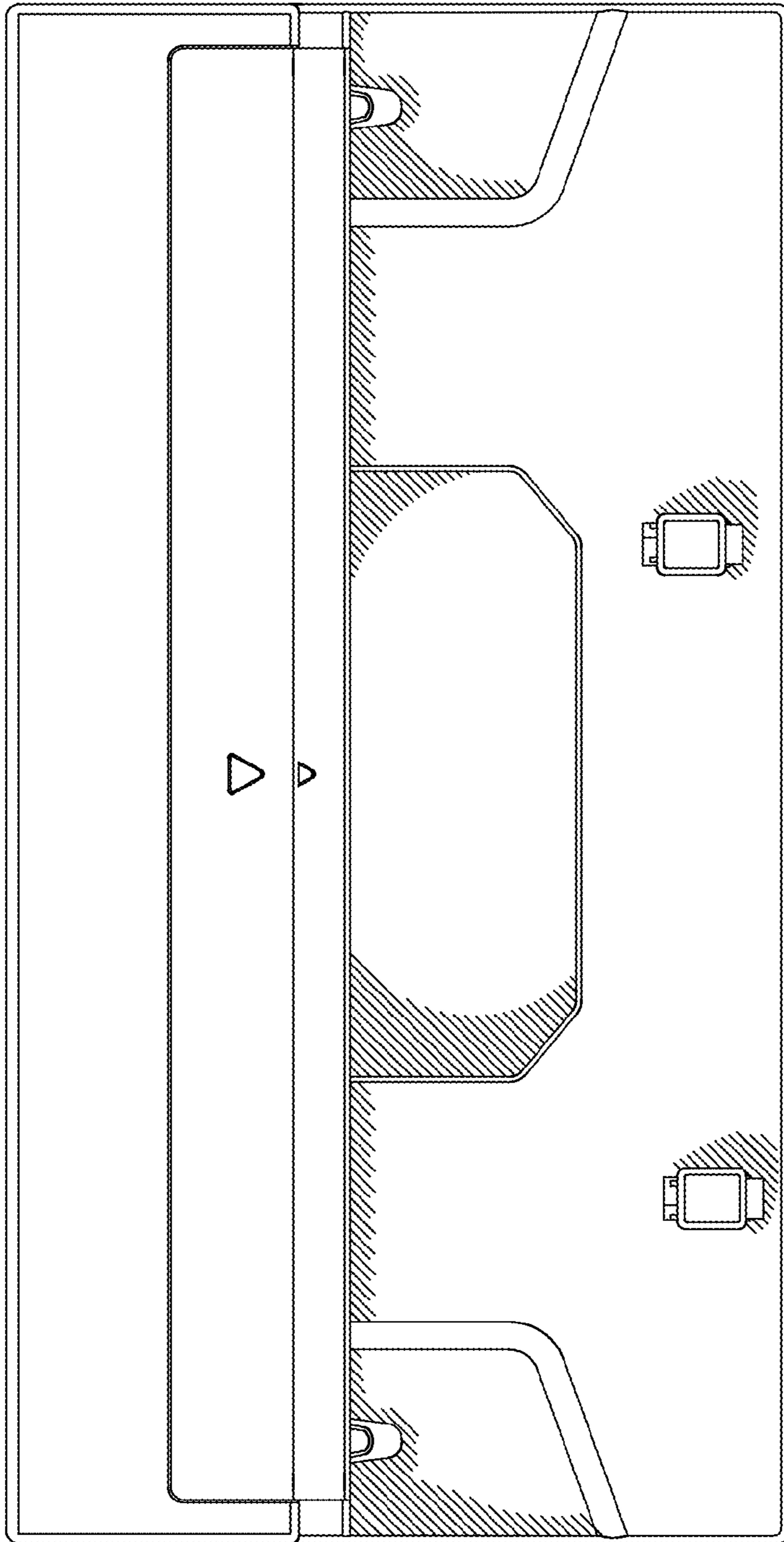


FIG. 2

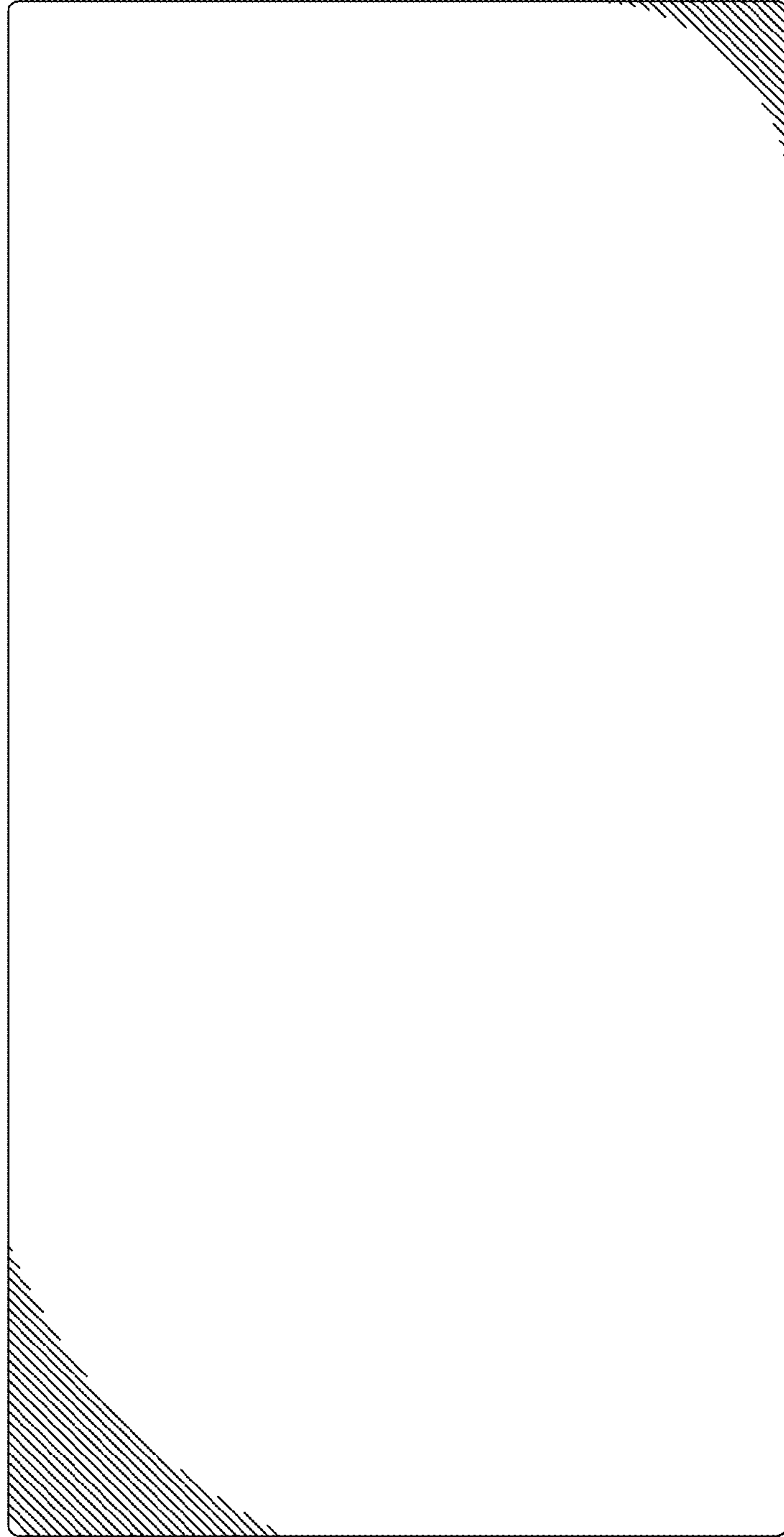


FIG. 3

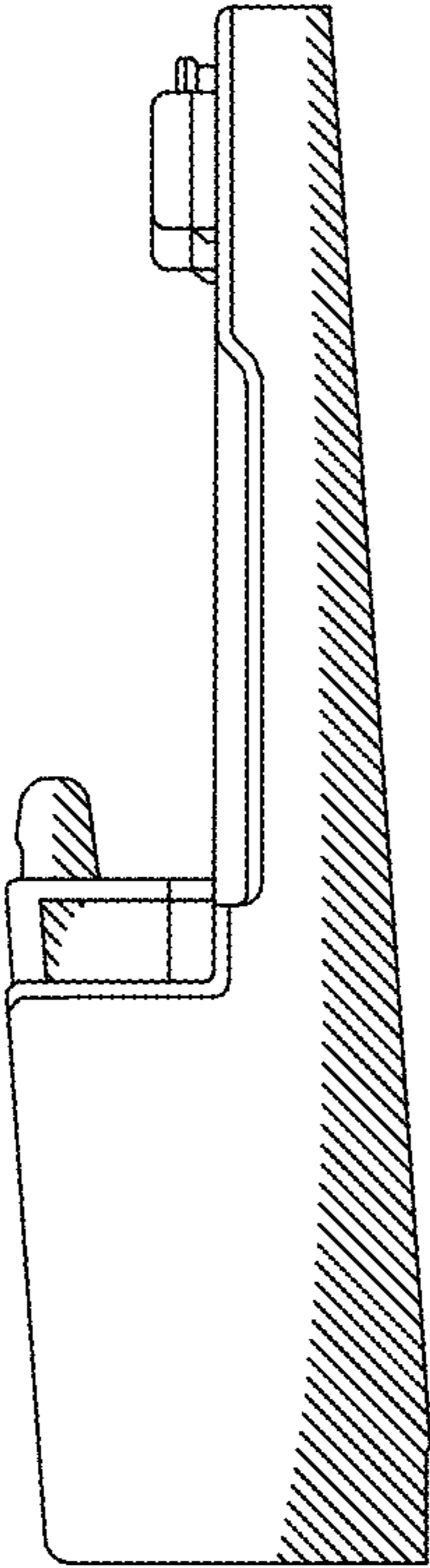


FIG. 4

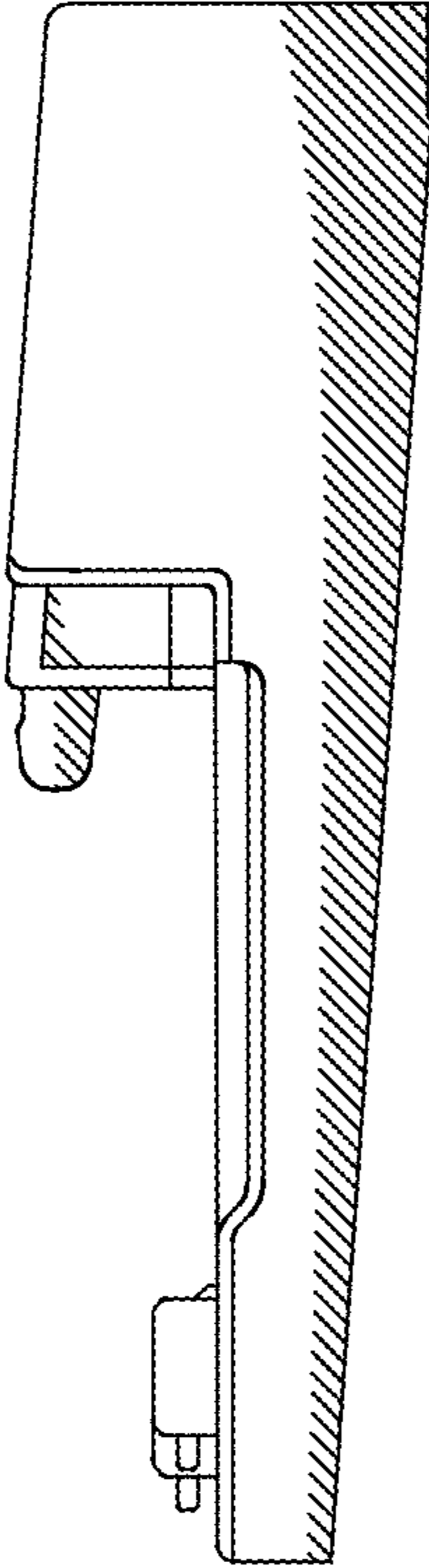


FIG. 5

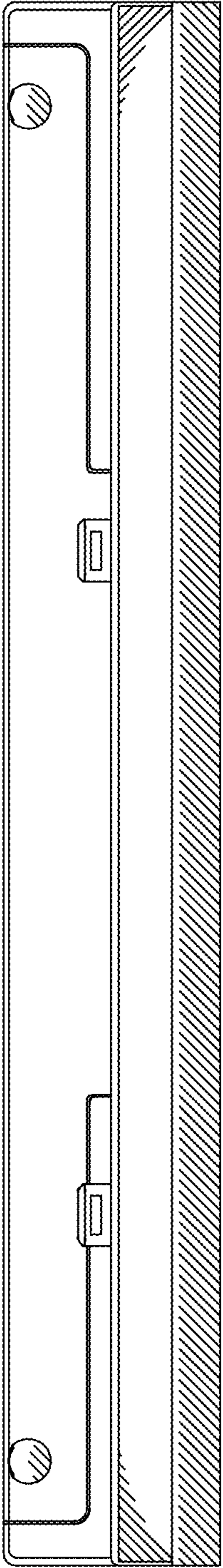


FIG. 6

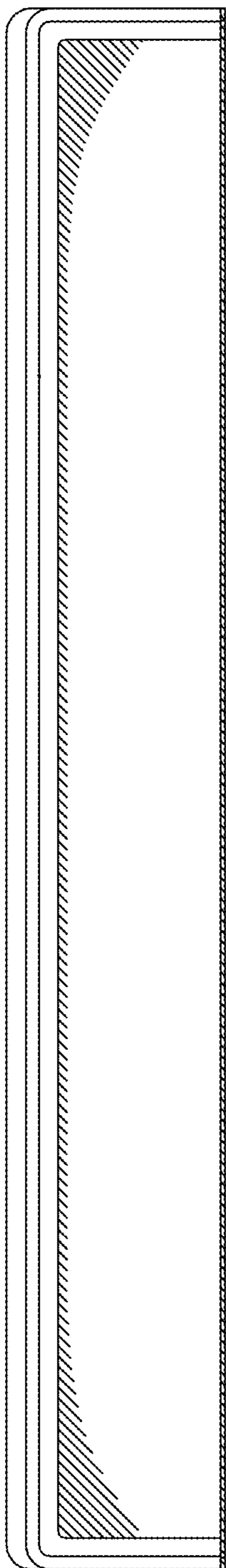


FIG. 7