

US00D730902S

(12) **United States Design Patent**
Fitch et al.

(10) **Patent No.:** **US D730,902 S**
(45) **Date of Patent:** **** Jun. 2, 2015**

(54) **ELECTRONIC DEVICE**

(71) Applicant: **Hand Held Products, Inc.**, Fort Mill, SC (US)

(72) Inventors: **Timothy R. Fitch**, Syracuse, NY (US);
Kirk Burmeister, Charlotte, NC (US);
Scott Garmon, Waxhaw, NC (US);
Jonathan T. Grunow, Indian Trail, NC (US)

(73) Assignee: **Hand Held Products, Inc.**, Fort Mill, SC (US)

(**) Term: **14 Years**

(21) Appl. No.: **29/436,337**

(22) Filed: **Nov. 5, 2012**

(51) **LOC (10) Cl.** **14-02**

(52) **U.S. Cl.**
USPC **D14/426; D14/429**

(58) **Field of Classification Search**
USPC D14/420, 426-430, 453, 346, 341, 347,
D14/412, 138; D13/107, 184; 358/473;
235/462.43, 462.45, 462.47, 462.48,
235/462.44, 462.46, 487, 472.01, 472.02,
235/145 A, 145 R; D10/78; 324/426;
D3/273; 710/73; D18/7; 361/679;
382/313, 321; 455/575.1, 561, 572;
345/156, 168, 169, 172, 173, 87

See application file for complete search history.

(56) **References Cited**

U.S. PATENT DOCUMENTS

D490,422 S * 5/2004 Iwama et al. D14/346
D497,160 S * 10/2004 Nagao et al. D14/346

D502,159 S * 2/2005 Chan et al. D14/138 AA
D522,486 S * 6/2006 Corley et al. D14/138 AA
D579,017 S * 10/2008 Su D14/426
D579,018 S * 10/2008 Su et al. D14/426
D615,085 S * 5/2010 Ma et al. D14/346
D628,198 S * 11/2010 Fitch et al. D14/347
D633,502 S * 3/2011 Alegiani D14/429
D633,915 S * 3/2011 Alegiani et al. D14/429
7,953,436 B2 * 5/2011 Ladouceur 455/556.1
D674,796 S * 1/2013 Cullen et al. D14/426
D709,503 S * 7/2014 Chen et al. D14/426
D710,846 S * 8/2014 Park et al. D14/346
2008/0297479 A1 * 12/2008 Yeh 345/169
2008/0316687 A1 * 12/2008 Richardson et al. 361/680
2009/0080153 A1 * 3/2009 Richardson et al. 361/679.56
2009/0291709 A1 * 11/2009 Lee et al. 455/556.2
2011/0024315 A1 * 2/2011 Kim 206/320
2012/0113012 A1 * 5/2012 Cho et al. 345/169

* cited by examiner

Primary Examiner — Susan Moon Lee

(74) *Attorney, Agent, or Firm* — Additon, Higgins & Pendleton, P.A.

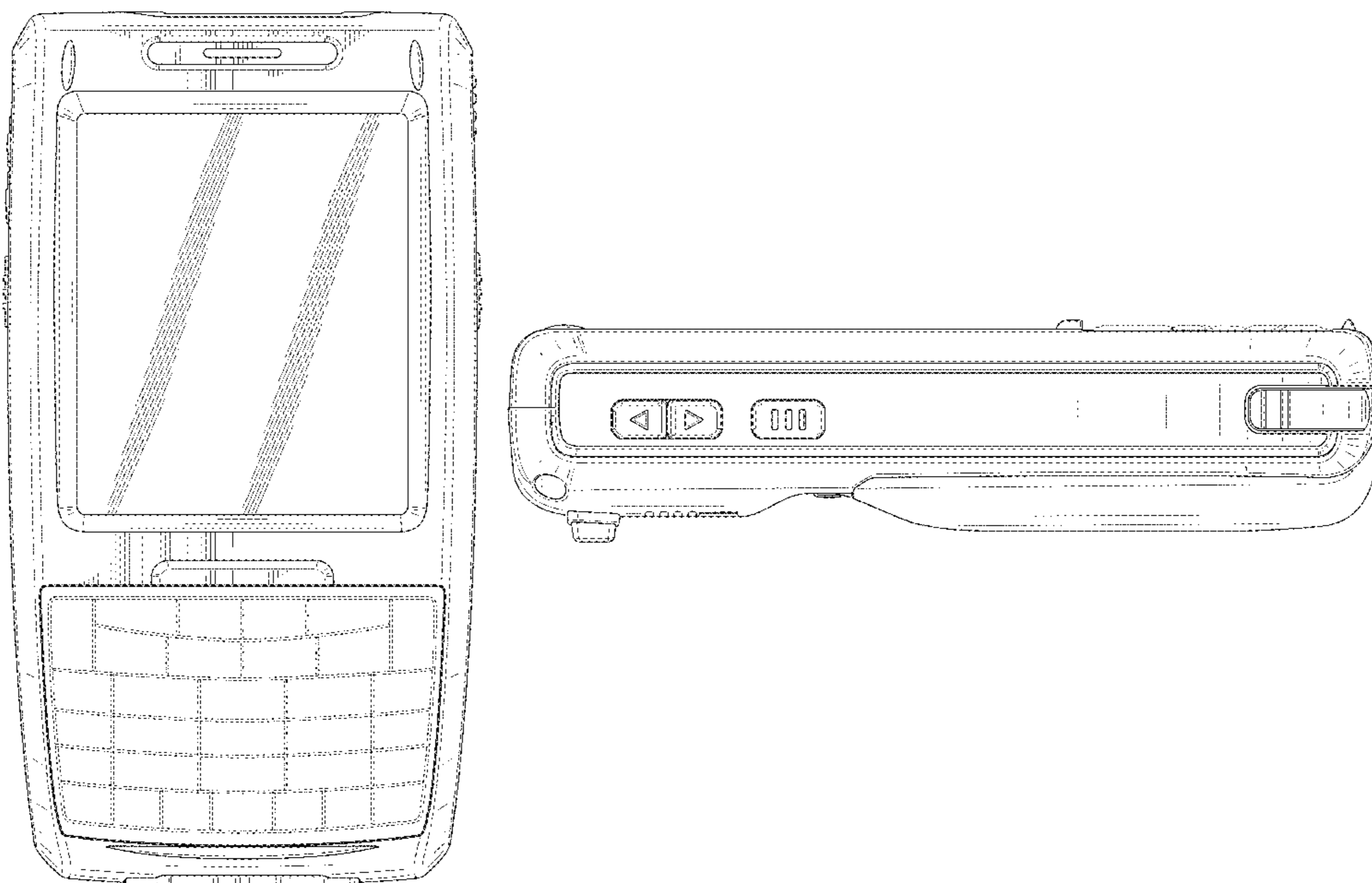
(57) **CLAIM**

We claim the ornamental design for an electronic device, as shown and described.

DESCRIPTION

FIG. 1 is a front elevation view of the electronic device;
FIG. 2 is a rear elevation view thereof;
FIG. 3 is a left side elevation view thereof;
FIG. 4 is a right side elevation view thereof;
FIG. 5 is a bottom view thereof; and,
FIG. 6 is a top plan view thereof.
Broken lines and unshaded portions contained within broken lines are not claimed.

1 Claim, 6 Drawing Sheets



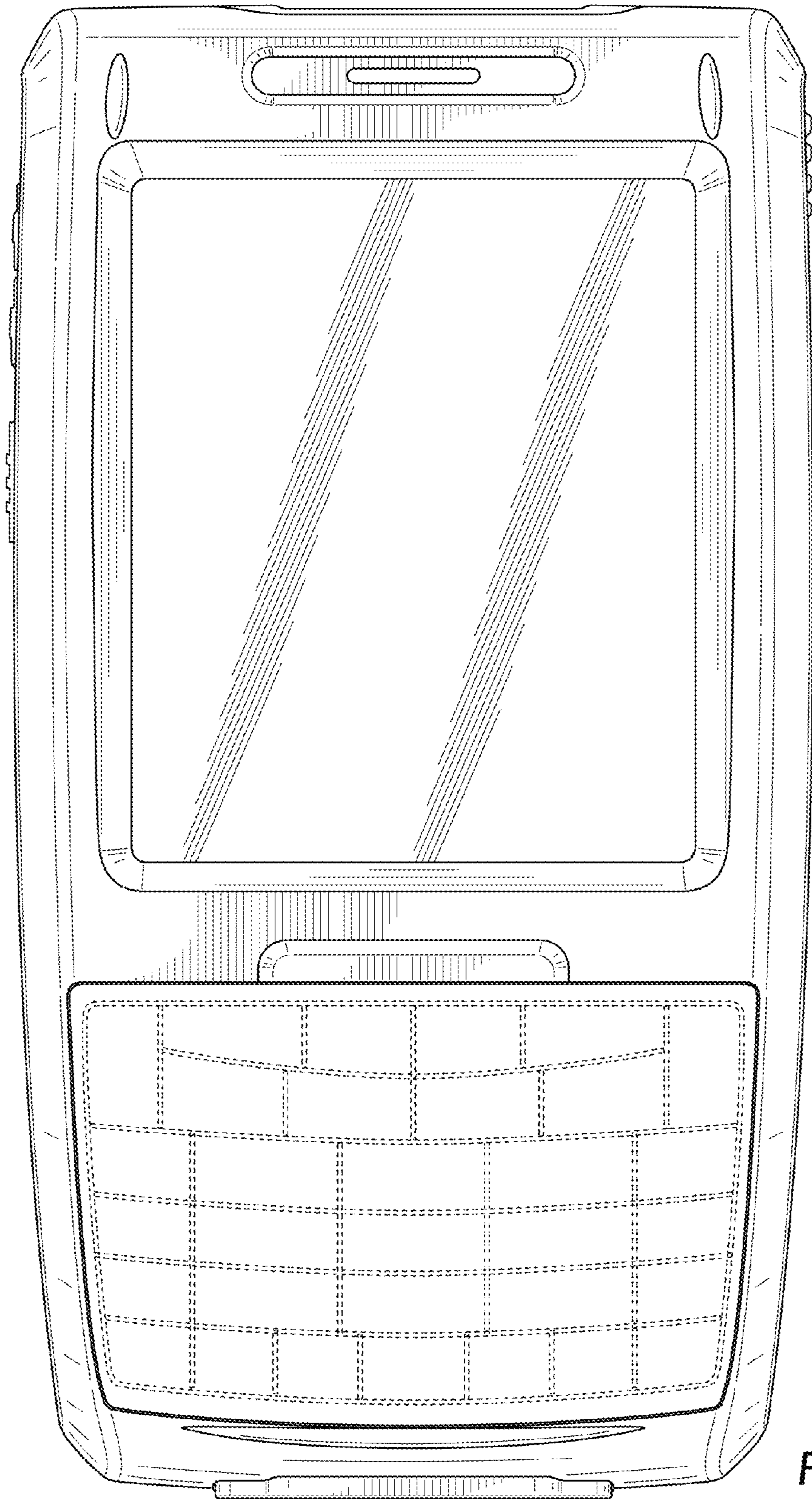


FIG. 1

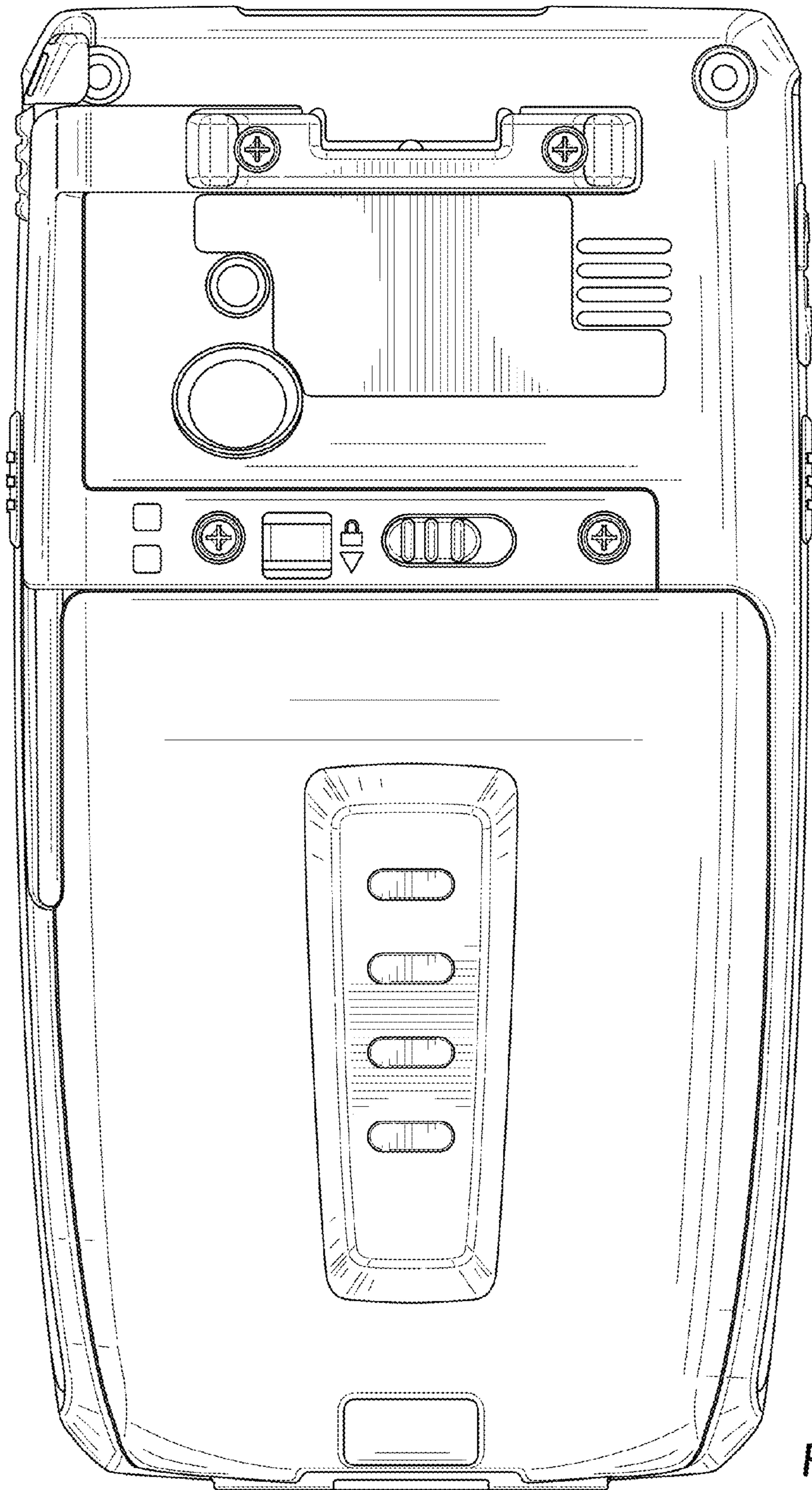


FIG. 2

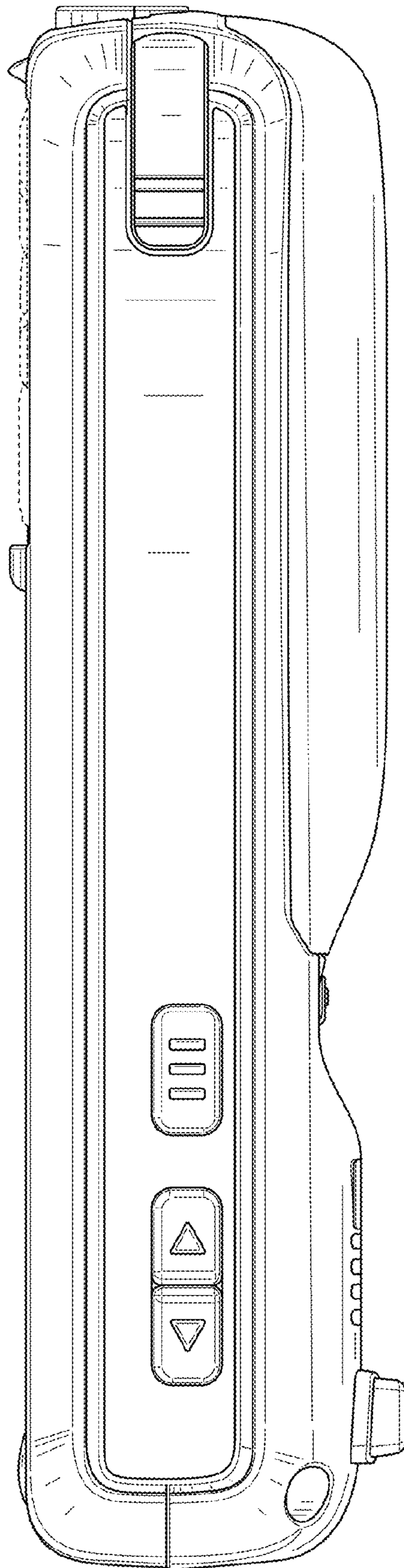


FIG. 3

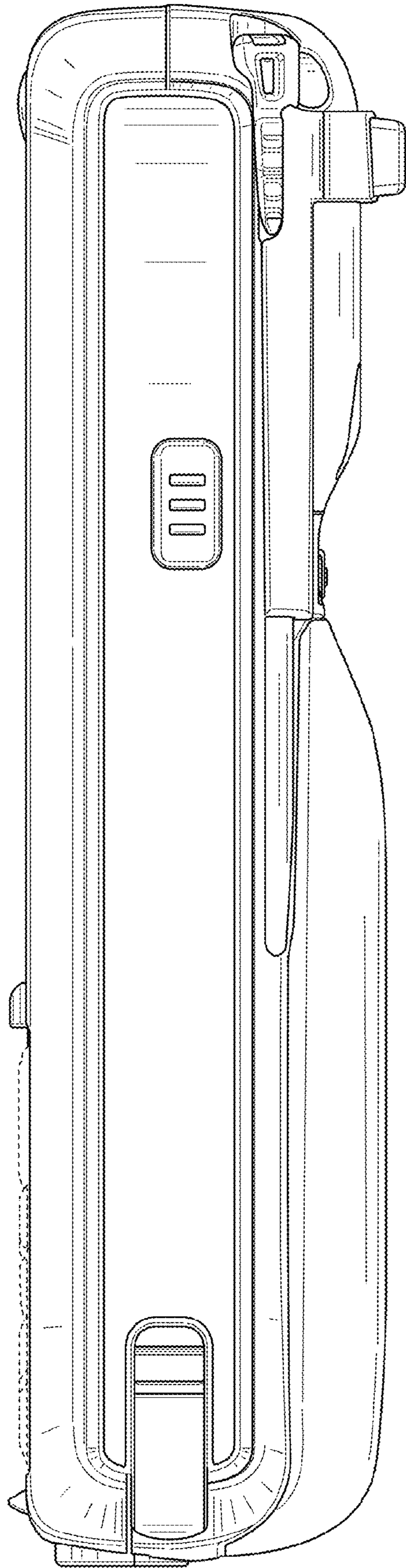


FIG. 4

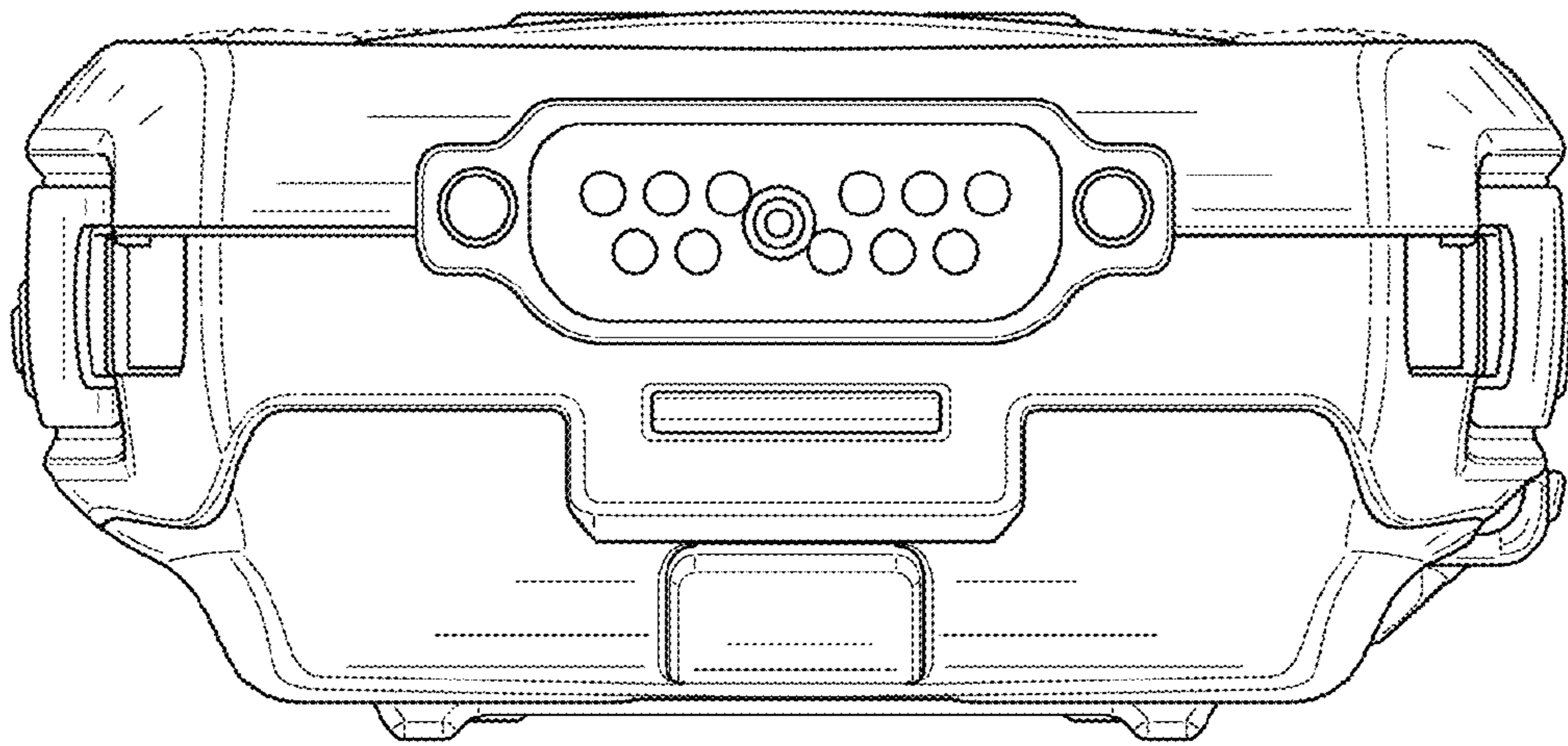


FIG. 5

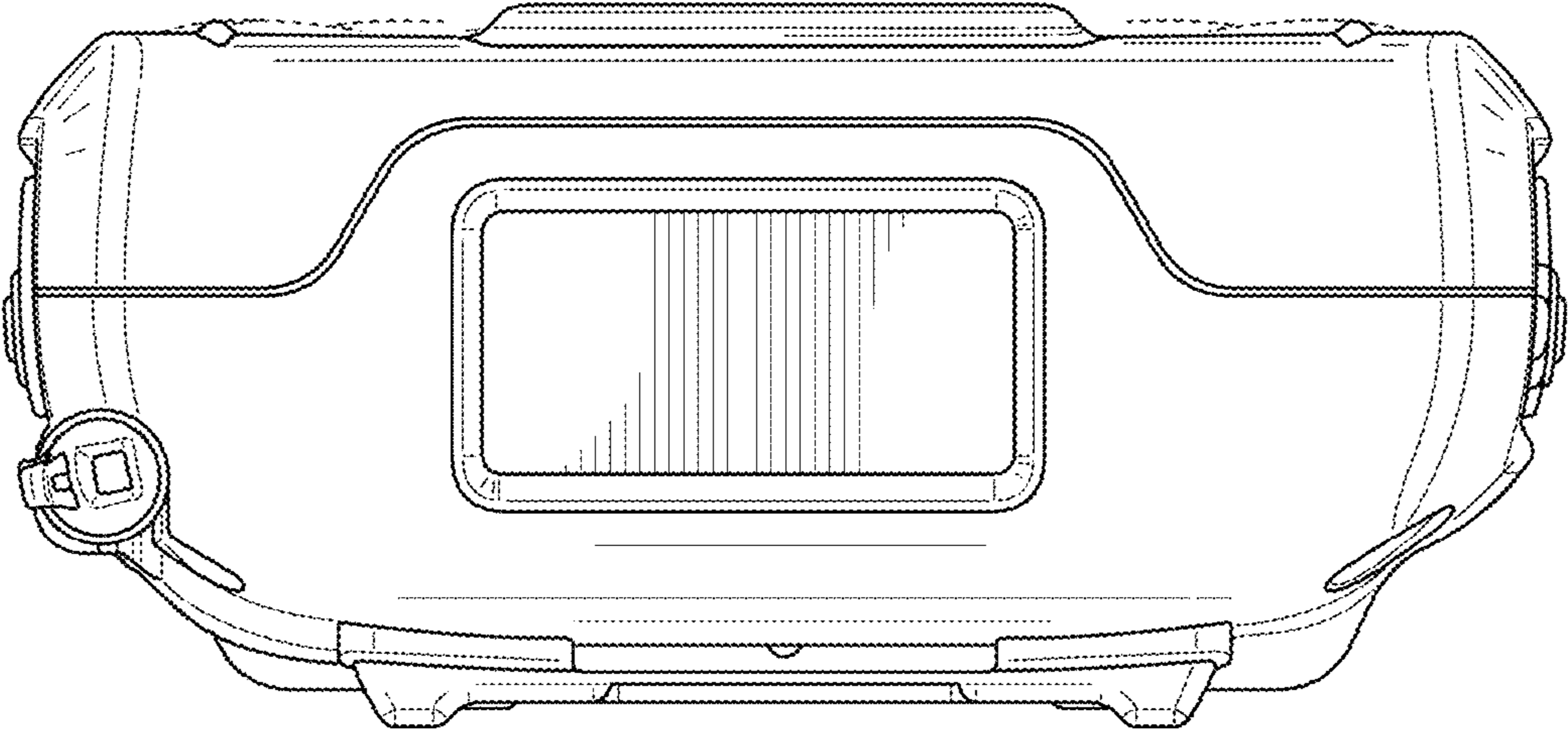


FIG. 6