



US00D730901S

(12) **United States Design Patent**
Oberpriller et al.

(10) **Patent No.:** **US D730,901 S**
(45) **Date of Patent:** **** Jun. 2, 2015**

(54) **IN-COUNTER BARCODE SCANNER**

(71) Applicant: **Hand Held Products, Inc.**, Fort Mill, SC (US)

(72) Inventors: **Mark Lee Oberpriller**, Atlanta, GA (US); **Timothy R. Fitch**, Syracuse, NY (US)

(73) Assignee: **Hand Held Products, Inc.**, Fort Mill, SC (US)

(**) Term: **14 Years**

(21) Appl. No.: **29/494,725**

(22) Filed: **Jun. 24, 2014**

(51) **LOC (10) Cl.** **14-02**

(52) **U.S. Cl.**

USPC **D14/421**; D14/420

(58) **Field of Classification Search**

USPC D14/421-425; D18/55, 49, 46, 40, D18/36-39, 41, 44, 45, 47, 48, 50-54, 56; 235/462, 455, 470, 462.43, 482, 483; 358/474, 486, 488, 496, 497, 498, 452, 358/449, 451, 453, 1.13; 318/685, 696; 355/81, 75; 399/405, 367, 379, 380; 382/217; 715/209, 222, 226, 274; 400/613, 613.1-613.4, 690.1-690.4, 400/691-694

CPC . D07G 1/0036; D07G 1/0045; D07G 1/0063; D07G 1/0072; D07G 1/009; G08B 13/1427; G08B 13/1472; G08B 13/1481; G08B 13/194; G08B 13/246; G08B 13/2462; G08B 13/2465; A47F 9/04; A47F 9/046; A47F 9/047; A47F 9/048; A47F 10/02; A47F 2010/005; A47F 2010/025; G06K 7/10693; G06K 7/10712; G06K 7/10722; G06K 7/10792; G06K 7/10801; G06K 7/10811; G06K 7/10821; G06K 7/10831; G06K 7/10851; G06K 7/10861; G06K 7/10871; G06K 7/1096; G06K 7/1097; G06K 7/1098; G06K 7/12; G06K 7/14; G06K 7/1404; G06K 7/1408; G06K 7/1413; G06K 7/1417; G06K 7/1421; G06K 7/1426; G06K 7/143; G06K 7/1434;

G06K 7/1439; G06K 7/1443; G06K 7/1447; G06K 7/1452; G06K 7/1456; G06K 7/146; G06K 7/1465; G06K 7/1469; G06K 7/1473; G06K 7/1478; G06K 7/1482; G06K 7/1486; G01G 19/4144; G01G 21/22; G01G 21/28; G01G 23/32; G01G 23/34; G01G 23/35; G01G 23/375; G01G 23/38; G01G 23/44; G07G 1/0063; G07G 1/0072; G07G 3/006; G02B 5/09

See application file for complete search history.

(56) **References Cited**

U.S. PATENT DOCUMENTS

4,652,732 A * 3/1987 Nickl 235/462.4
4,881,606 A * 11/1989 Halfon et al. 177/126

(Continued)

OTHER PUBLICATIONS

Design U.S. Appl. No. 29/459,823, not yet published, filed Jul. 3, 2013, 13 pages.

(Continued)

Primary Examiner — Susan Moon Lee

(74) *Attorney, Agent, or Firm* — Additon, Higgins & Pendleton, P.A.

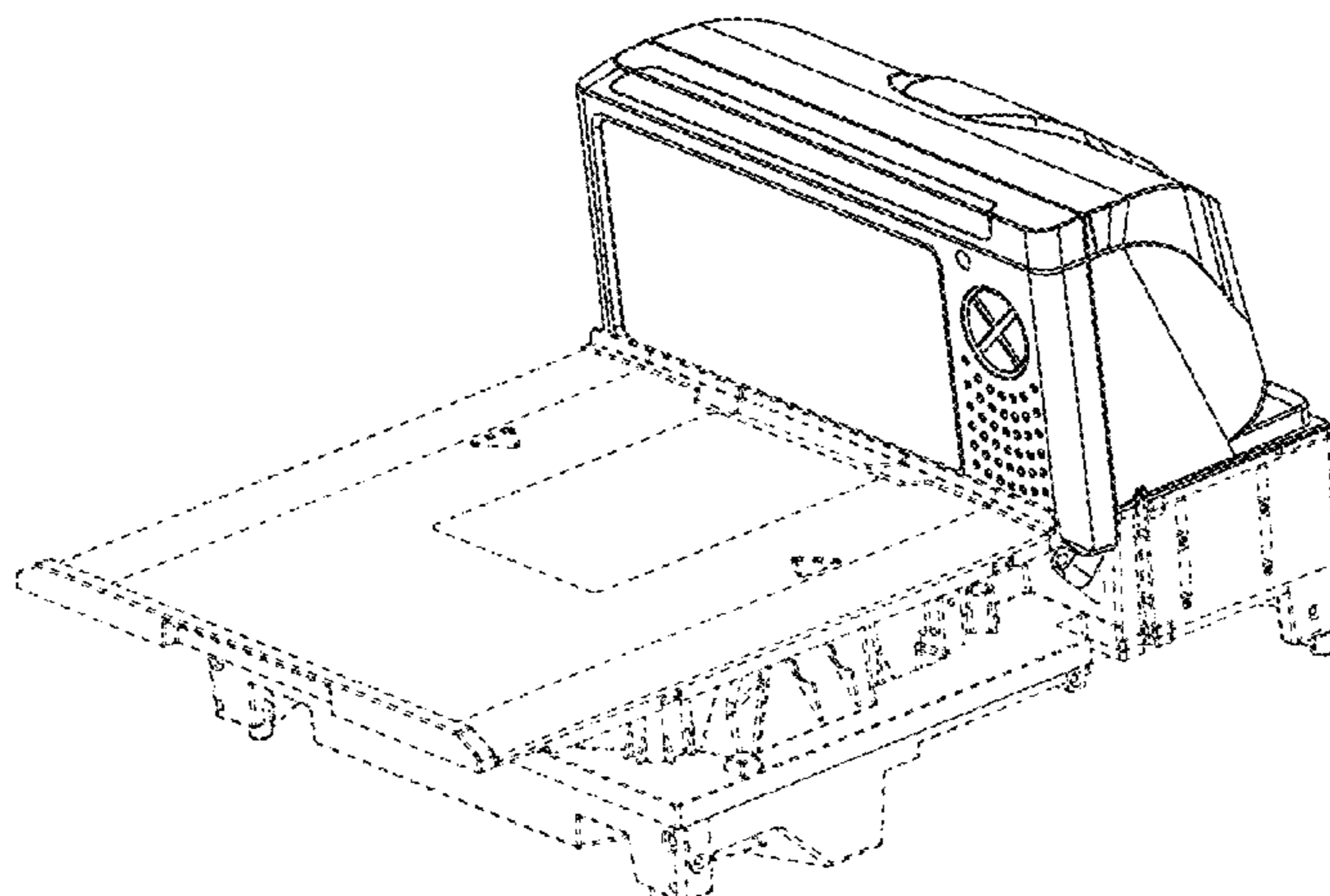
(57) **CLAIM**

The ornamental design for an in-counter barcode scanner, as shown and described.

DESCRIPTION

FIG. 1 is a front, side perspective view of an in-counter barcode scanner;
FIG. 2 is a front, opposite side perspective view thereof;
FIG. 3 is a front elevation view thereof;
FIG. 4 is a rear elevation view thereof;
FIG. 5 is a right side elevation view thereof;
FIG. 6 is a left side elevation view thereof;
FIG. 7 is a top plan view thereof;
FIG. 8 is a bottom view thereof;
FIG. 9 is a rear, side perspective view thereof; and,
FIG. 10 is a rear, opposite side perspective view thereof.
Broken lines and unshaded portions contained within broken lines are not claimed.

1 Claim, 10 Drawing Sheets



(56)

References Cited

U.S. PATENT DOCUMENTS

5,059,951	A *	10/1991	Kaltner	340/572.3	8,430,318	B2 *	4/2013	McQueen et al.	235/470
5,073,702	A *	12/1991	Schuhmacher	235/462.22	8,469,272	B2 *	6/2013	Kearney	235/440
5,139,100	A *	8/1992	Brauneis	177/25.15	8,474,712	B2 *	7/2013	Kearney et al.	235/383
5,174,399	A *	12/1992	Brauneis	177/25.15	8,537,005	B2 *	9/2013	Barkan et al.	340/540
5,206,491	A *	4/1993	Katoh et al.	235/462.4	8,561,902	B2 *	10/2013	McQueen et al.	235/454
5,229,588	A *	7/1993	Detwiler et al.	235/462.35	8,561,905	B2 *	10/2013	Edmonds et al.	235/462.14
5,293,033	A *	3/1994	Yamashita	235/462.14	D708,183	S *	7/2014	Thompson et al.	D14/421
5,347,593	A *	9/1994	Klinefelter	382/207	D709,888	S *	7/2014	Kaminsky et al.	D14/421
D351,144	S *	10/1994	Fishbine et al.	D14/384	8,789,757	B2 *	7/2014	Barten	235/462.11
5,410,108	A *	4/1995	Williams et al.	177/25.15	8,878,674	B2 *	11/2014	Claessen	340/572.1
5,531,293	A *	7/1996	Nahar	186/59	2002/0038820	A1 *	4/2002	Check et al.	235/462.14
5,585,837	A *	12/1996	Nixon	725/78	2002/0056750	A1 *	5/2002	Kato et al.	235/454
5,588,621	A *	12/1996	Collins et al.	248/27.1	2002/0074402	A1 *	6/2002	Latimer et al.	235/454
D377,342	S *	1/1997	Lin	D14/424	2002/0100805	A1 *	8/2002	Detwiler	235/462.14
5,635,906	A *	6/1997	Joseph	340/572.3	2002/0179715	A1 *	12/2002	Kawai	235/462.13
5,747,744	A *	5/1998	Kraft et al.	177/25.15	2003/0024982	A1 *	2/2003	Bellis et al.	235/383
5,773,767	A *	6/1998	Collins et al.	177/126	2003/0075602	A1 *	4/2003	Wike et al.	235/383
5,834,708	A *	11/1998	Svetal et al.	177/180	2003/0121982	A1 *	7/2003	Charpentier	235/472.01
5,869,827	A *	2/1999	Rando	235/462.4	2003/0146280	A1 *	8/2003	Acosta et al.	235/454
5,886,336	A *	3/1999	Tang et al.	235/462.43	2003/0197611	A1 *	10/2003	Clifford et al.	340/572.1
5,917,412	A *	6/1999	Martin	340/572.3	2003/0209600	A1 *	11/2003	Collins et al.	235/383
6,056,087	A *	5/2000	Addy et al.	186/61	2004/0000591	A1 *	1/2004	Collins et al.	235/462.14
6,085,979	A *	7/2000	Maddox	235/462.13	2004/0065740	A1 *	4/2004	Mergenthaler et al.	235/462.14
6,145,629	A *	11/2000	Addy	186/61	2005/0098634	A1 *	5/2005	Good	235/462.39
6,155,489	A *	12/2000	Collins et al.	235/462.01	2005/0259746	A1 *	11/2005	Shinde et al.	375/240.25
6,189,795	B1 *	2/2001	Ohkawa et al.	235/462.39	2006/0022051	A1 *	2/2006	Patel et al.	235/462.14
6,213,395	B1 *	4/2001	Dejaeger et al.	235/383	2006/0118628	A1 *	6/2006	He et al.	235/454
D442,596	S *	5/2001	Lin et al.	D14/421	2007/0102513	A1 *	5/2007	Scheb	235/383
6,281,796	B1 *	8/2001	Canipe et al.	340/572.3	2007/0221733	A1 *	9/2007	Roquemoire	235/462.13
6,296,184	B1 *	10/2001	Dejaeger	235/383	2007/0290043	A1 *	12/2007	Russell et al.	235/462.14
6,330,973	B1 *	12/2001	Bridgelall et al.	235/462.45	2008/0141755	A1 *	6/2008	Edwards	73/1.13
6,354,497	B1 *	3/2002	Lippert et al.	235/383	2008/0179402	A1 *	7/2008	Barkan et al.	235/462.41
6,421,133	B2 *	7/2002	Kasai et al.	358/1.13	2008/0255790	A1 *	10/2008	Roquemoire et al.	702/101
D464,969	S *	10/2002	Byun et al.	D14/420	2008/0283611	A1 *	11/2008	Knowles et al.	235/462.42
6,502,753	B2 *	1/2003	Detwiler	235/462.4	2008/0296387	A1 *	12/2008	Sanders et al.	235/462.41
6,517,000	B1 *	2/2003	McAllister et al.	235/462.01	2009/0020611	A1 *	1/2009	Sackett et al.	235/462.08
6,547,040	B2 *	4/2003	Goodwin, III	186/61	2009/0020612	A1 *	1/2009	Drzymala et al.	235/462.32
6,752,837	B2 *	6/2004	Karp	340/572.1	2009/0026269	A1 *	1/2009	Connell et al.	235/462.41
6,758,402	B1 *	7/2004	Check et al.	235/462.34	2009/0026271	A1 *	1/2009	Drzymala et al.	235/462.42
6,779,722	B1 *	8/2004	Mason	235/383	2009/0078775	A1 *	3/2009	Giebel et al.	235/462.41
6,788,205	B1 *	9/2004	Mason et al.	340/572.3	2009/0084854	A1 *	4/2009	Carlson et al.	235/462.41
6,794,586	B1 *	9/2004	Mason	177/25.15	2009/0101717	A1 *	4/2009	Claessen	235/462.13
6,814,292	B2 *	11/2004	Good	235/462.39	2009/0159683	A1 *	6/2009	Roquemoire et al.	235/462.11
6,830,186	B1 *	12/2004	Nahar	235/462.14	2009/0206161	A1 *	8/2009	Olmstead	235/462.41
6,866,197	B1 *	3/2005	Detwiler et al.	235/462.39	2009/0272810	A1 *	11/2009	Barkan	235/462.41
6,942,145	B1 *	9/2005	Collins et al.	235/383	2010/0019042	A1 *	1/2010	Barkan	235/462.41
6,974,083	B1 *	12/2005	Kahn et al.	235/462.14	2010/0019043	A1 *	1/2010	Sackett et al.	235/462.42
7,021,544	B1 *	4/2006	Hammer	235/462.13	2010/0102129	A1 *	4/2010	Drzymala et al.	235/462.42
7,083,102	B2 *	8/2006	Good et al.	235/462.37	2010/0116887	A1 *	5/2010	Barkan et al.	235/440
7,086,597	B2 *	8/2006	Good	235/462.39	2010/0139989	A1 *	6/2010	Atwater et al.	177/245
7,088,248	B2 *	8/2006	Forster	340/572.7	2010/0147953	A1 *	6/2010	Barkan	235/462.41
7,247,802	B1 *	7/2007	Minter	177/25.15	2010/0155484	A1 *	6/2010	Gregerson	235/462.41
D552,741	S *	10/2007	Zhou et al.	D24/186	2010/0163622	A1 *	7/2010	Olmstead	235/454
7,296,748	B2 *	11/2007	Good	235/462.14	2010/0163626	A1 *	7/2010	Olmstead	235/462.41
D560,220	S *	1/2008	Barron	D14/421	2010/0163627	A1 *	7/2010	Olmstead	235/470
RE40,071	E *	2/2008	Svetal et al.	235/462.43	2010/0163628	A1 *	7/2010	Olmstead	235/470
7,341,185	B1 *	3/2008	Arrington et al.	235/383	2010/0200656	A1 *	8/2010	Marshall et al.	235/383
7,344,080	B2 *	3/2008	Vinogradov et al.	235/462.11	2010/0252633	A1 *	10/2010	Barkan et al.	235/462.24
7,389,932	B1 *	6/2008	Roquemoire et al.	235/462.43	2010/0252635	A1 *	10/2010	Drzymala et al.	235/462.41
7,401,732	B2 *	7/2008	Haddad	235/380	2011/0073652	A1 *	3/2011	Vinogradov et al.	235/462.08
7,482,542	B2 *	1/2009	Galtier	177/25.15	2011/0089240	A1 *	4/2011	Vinogradov et al.	235/454
7,619,527	B2 *	11/2009	Friend et al.	340/572.3	2011/0127333	A1 *	6/2011	Veksland et al.	235/462.24
7,823,787	B2 *	11/2010	He et al.	235/462.42	2011/0132985	A1 *	6/2011	McQueen et al.	235/454
7,866,558	B2 *	1/2011	Good	235/462.38	2011/0232972	A1 *	9/2011	McQueen et al.	177/1
7,909,248	B1 *	3/2011	Goncalves	235/383	2011/0309147	A1 *	12/2011	Barkan et al.	235/440
7,954,719	B2 *	6/2011	Zhu et al.	235/462.42	2012/0085825	A1 *	4/2012	Good	235/470
8,002,184	B1 *	8/2011	Drzymala et al.	235/454	2012/0097745	A1 *	4/2012	Brock	235/472.02
8,033,461	B2 *	10/2011	Barron et al.	235/383	2012/0118962	A1 *	5/2012	Barkan et al.	235/454
8,072,332	B2 *	12/2011	Forster	340/572.3	2012/0145791	A1 *	6/2012	Gregerson	235/470
8,157,174	B2 *	4/2012	Kotlarsky et al.	235/462.07	2012/0145792	A1 *	6/2012	Barron et al.	235/470
8,356,749	B2 *	1/2013	Olmstead et al.	235/383	2012/0193416	A1 *	8/2012	Smith et al.	235/440
8,365,992	B2 *	2/2013	Gregerson et al.	235/383	2013/0026233	A1 *	1/2013	Chen et al.	235/440
8,365,998	B1 *	2/2013	Gregerson et al.	235/440	2013/0056285	A1 *	3/2013	Meagher	177/1
8,381,979	B2 *	2/2013	Franz	235/435	2013/0075471	A1 *	3/2013	Collins, Jr.	235/440
8,387,882	B2 *	3/2013	Kearney et al.	235/455	2013/0075472	A1 *	3/2013	Collins et al.	235/440
					2013/0082110	A1 *	4/2013	Gregerson	235/470
					2013/0146667	A1 *	6/2013	Pang	235/470

(56)

References Cited

OTHER PUBLICATIONS

U.S. PATENT DOCUMENTS

2013/0256418 A1 * 10/2013 Havens et al. 235/462.33
2013/0327829 A1 * 12/2013 Thompson et al. 235/440
2013/0327835 A1 * 12/2013 Thompson et al. 235/470

Chinese Design Application Serial No. 201430000680.8, filed Jan. 2,
2014, 13 pages; Counterpart to Design U.S. Appl. No. 29/459,823.

* cited by examiner

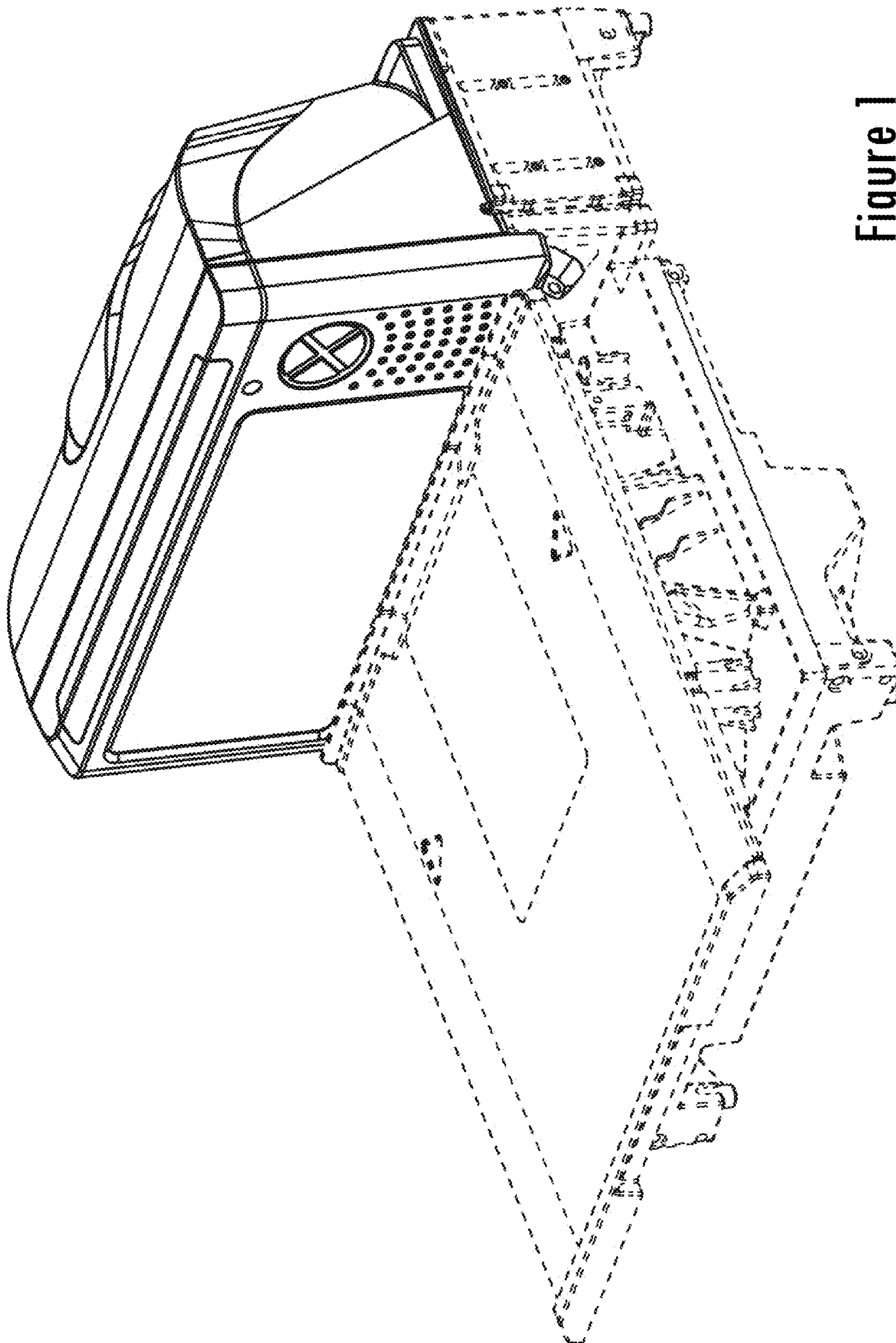


Figure 1

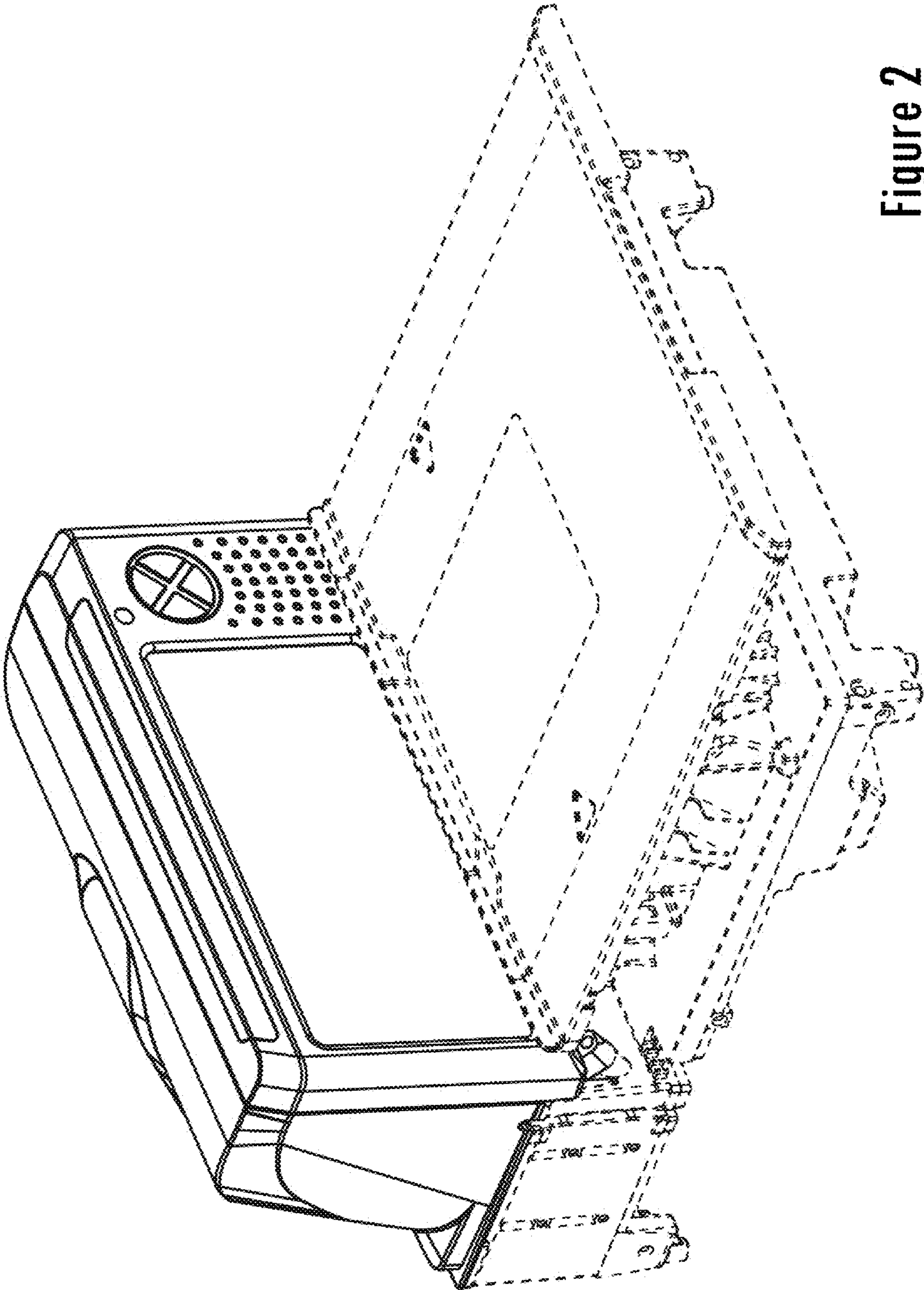


Figure 2

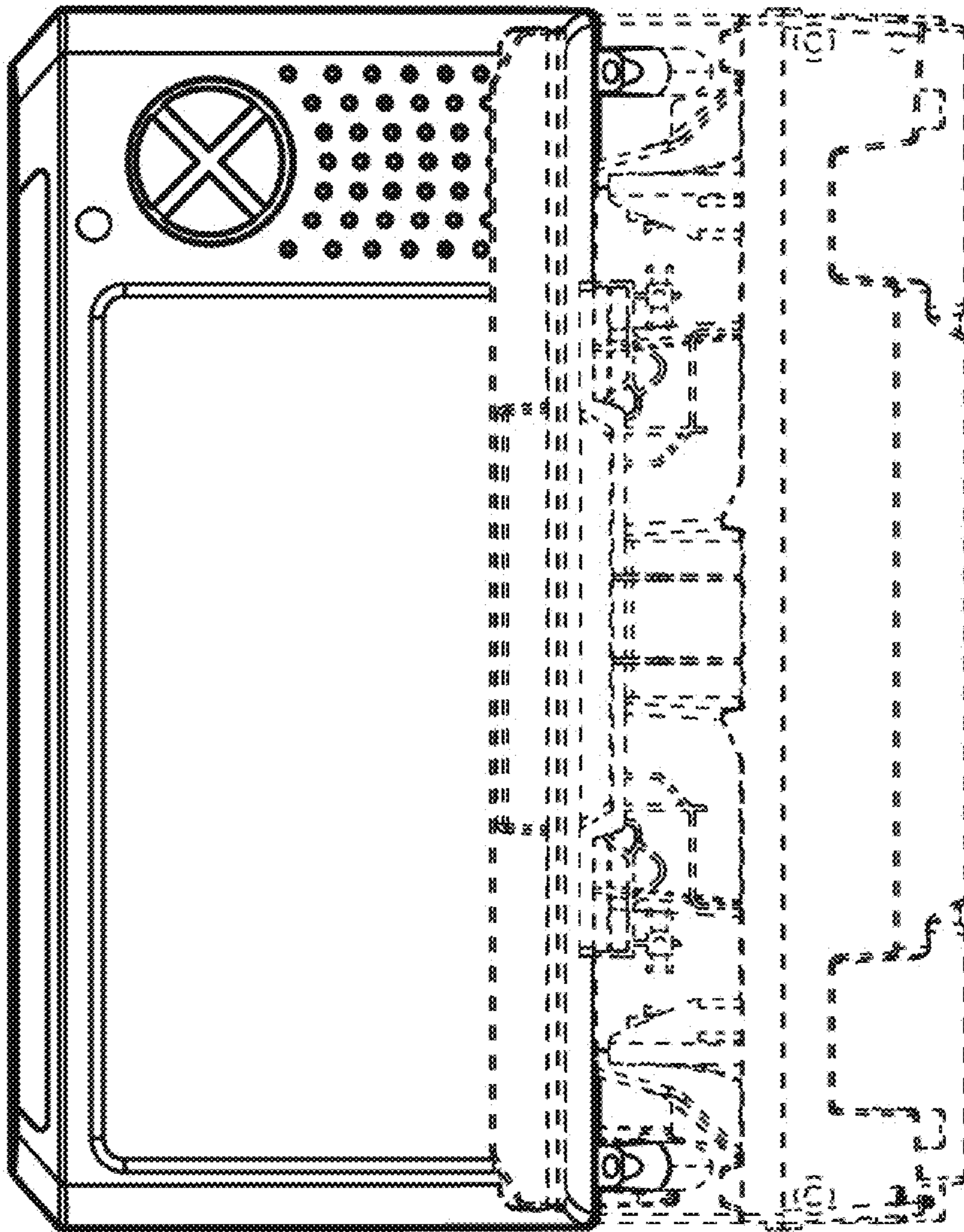


Figure 3

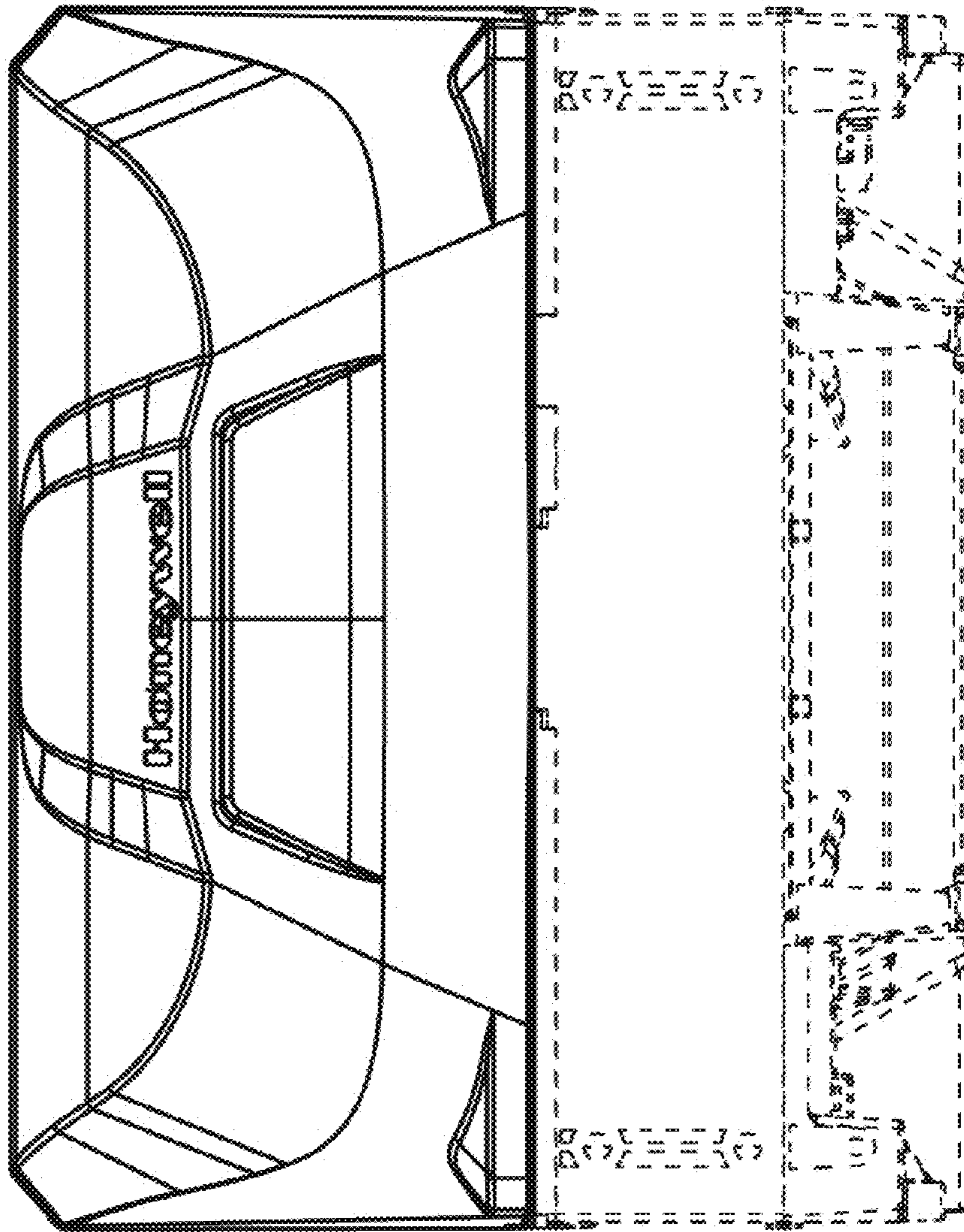


Figure 4

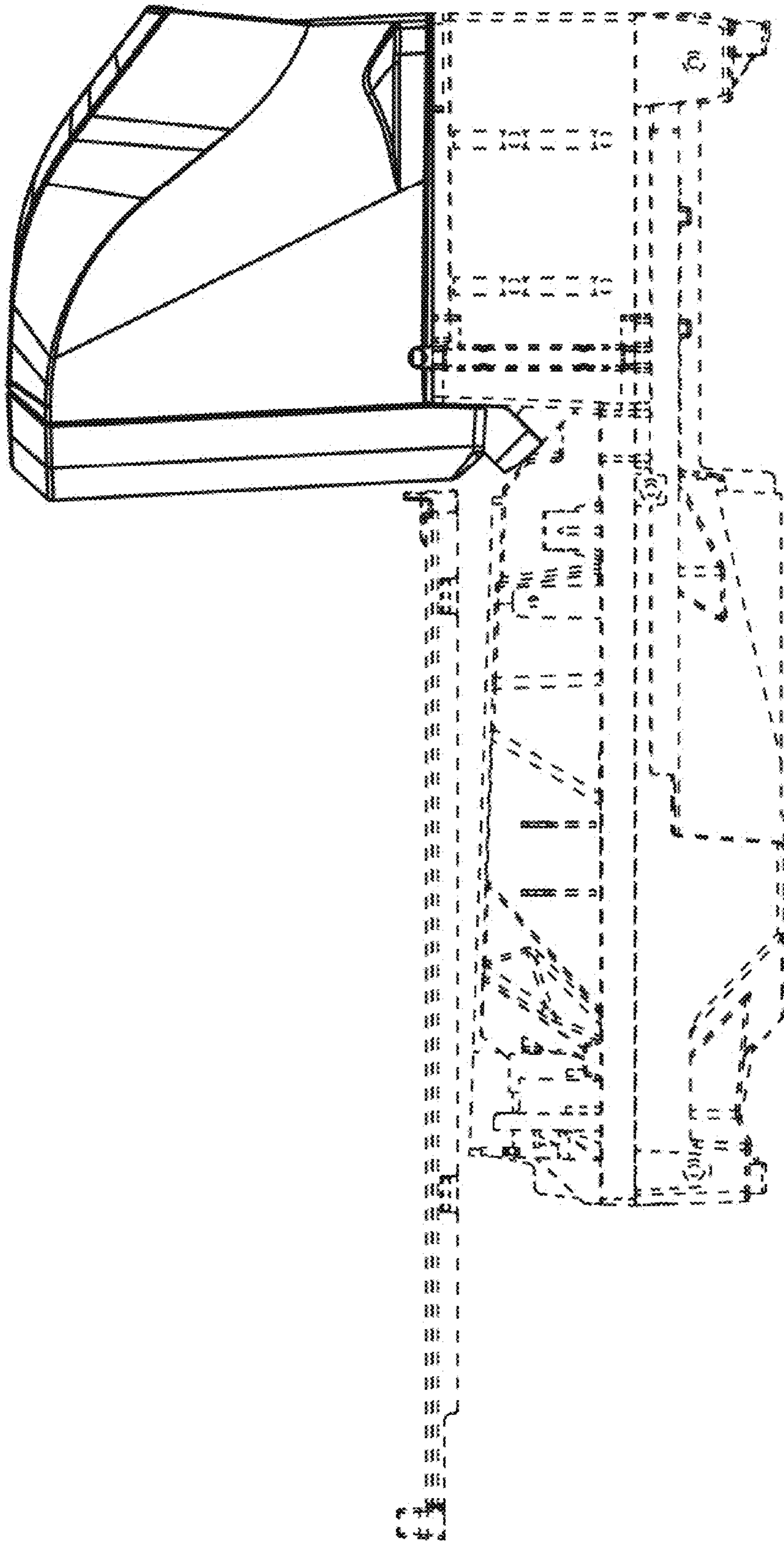


Figure 5

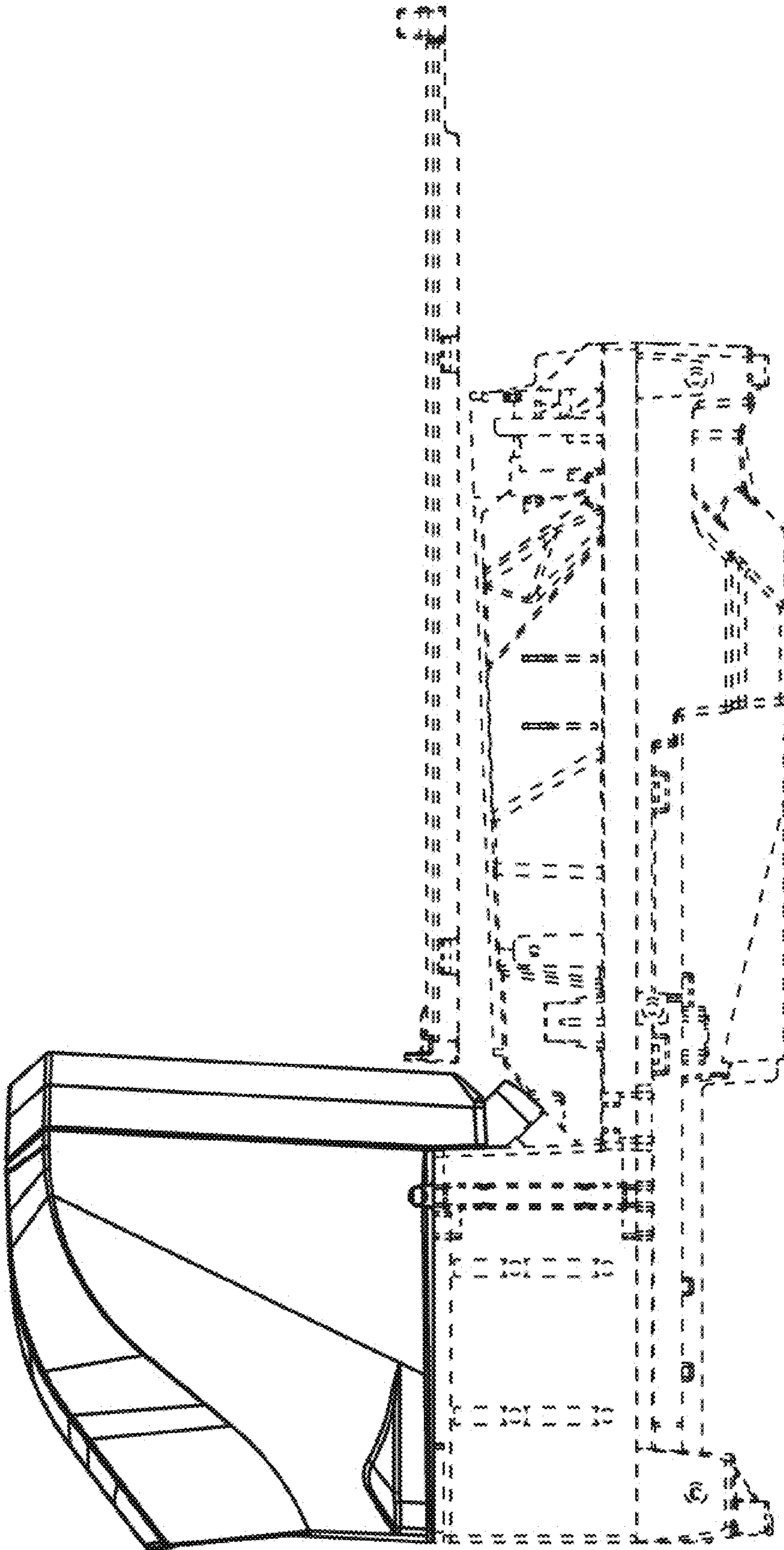


Figure 6

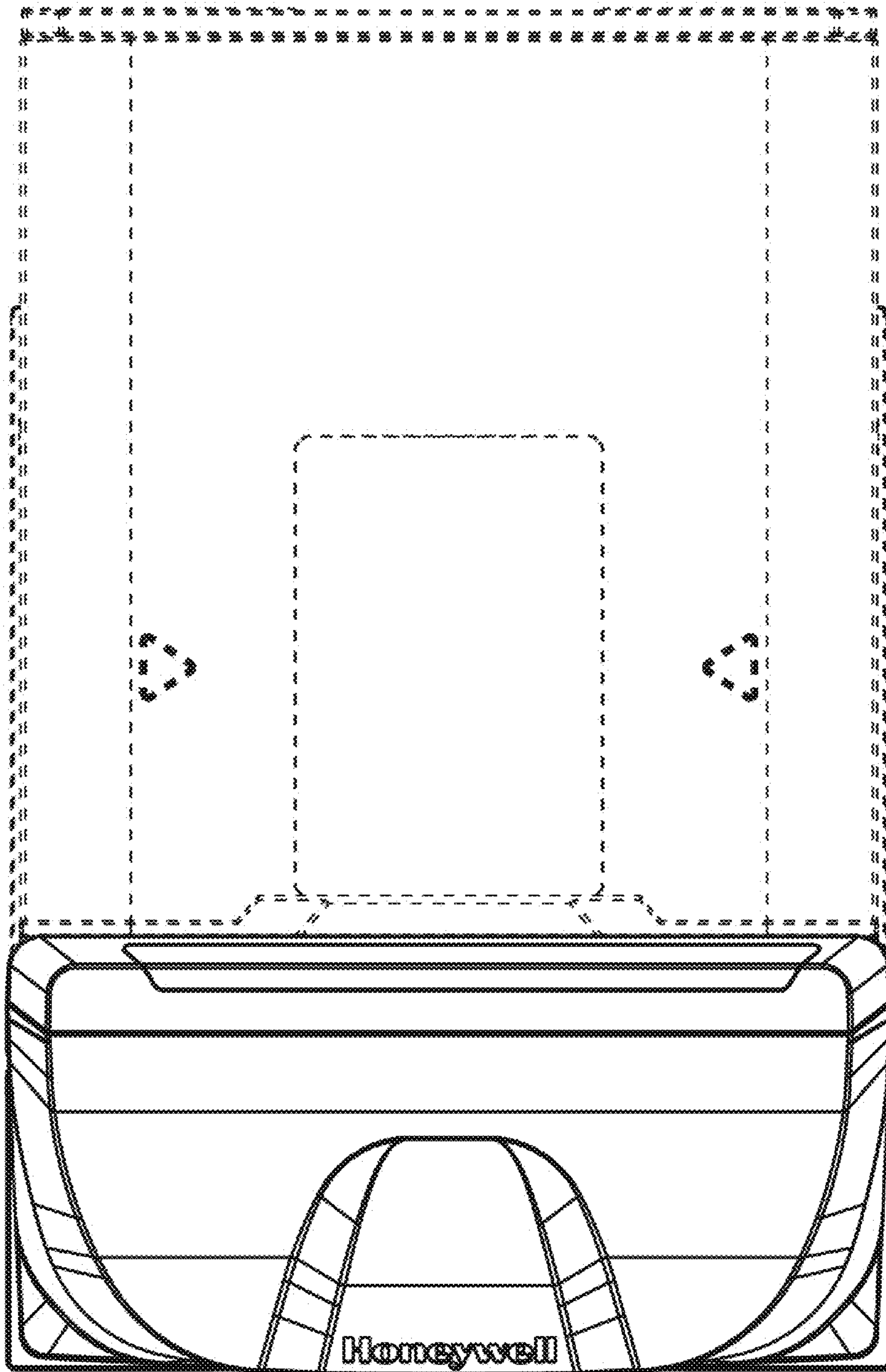


Figure 7

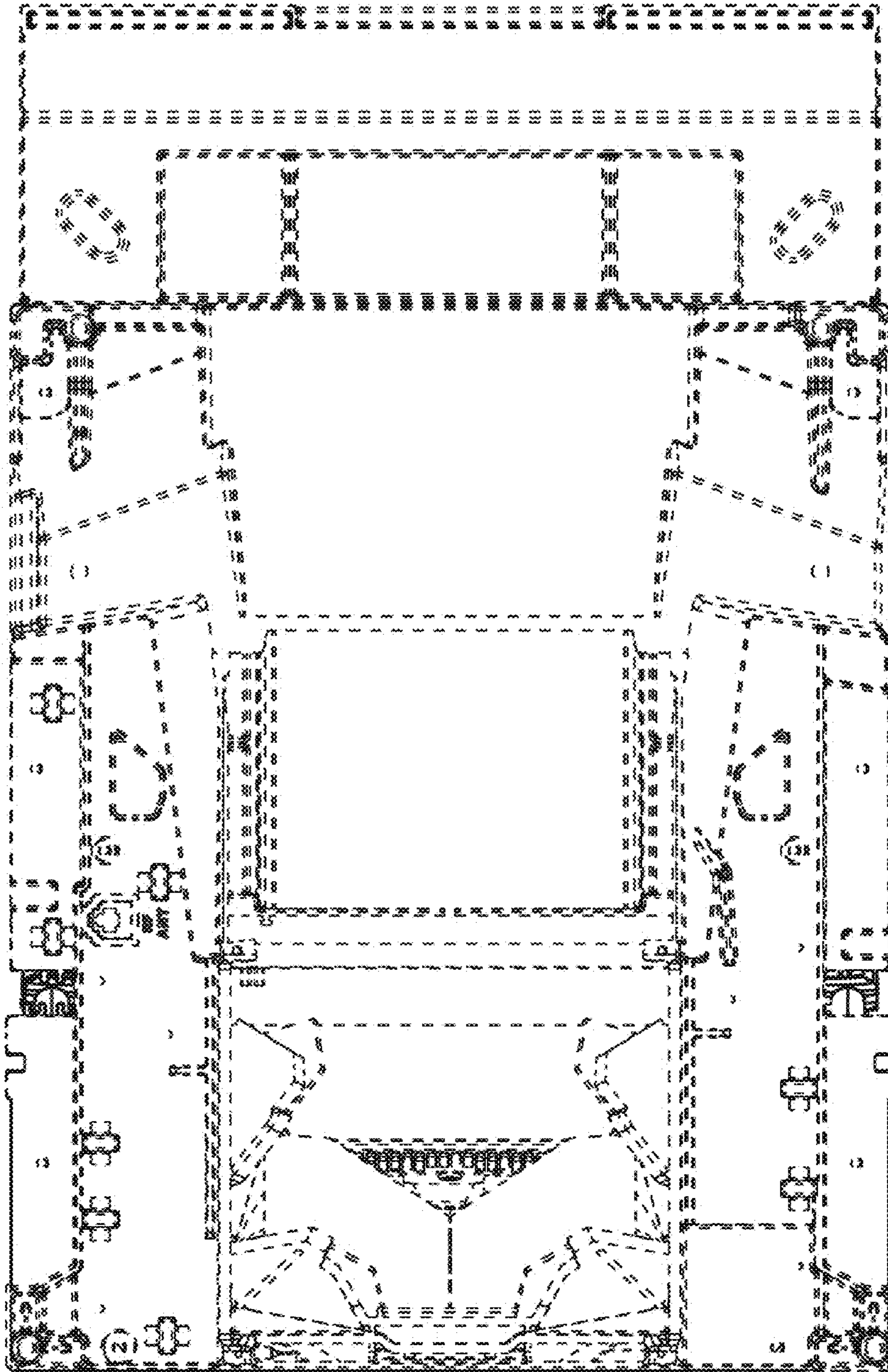


Figure 8

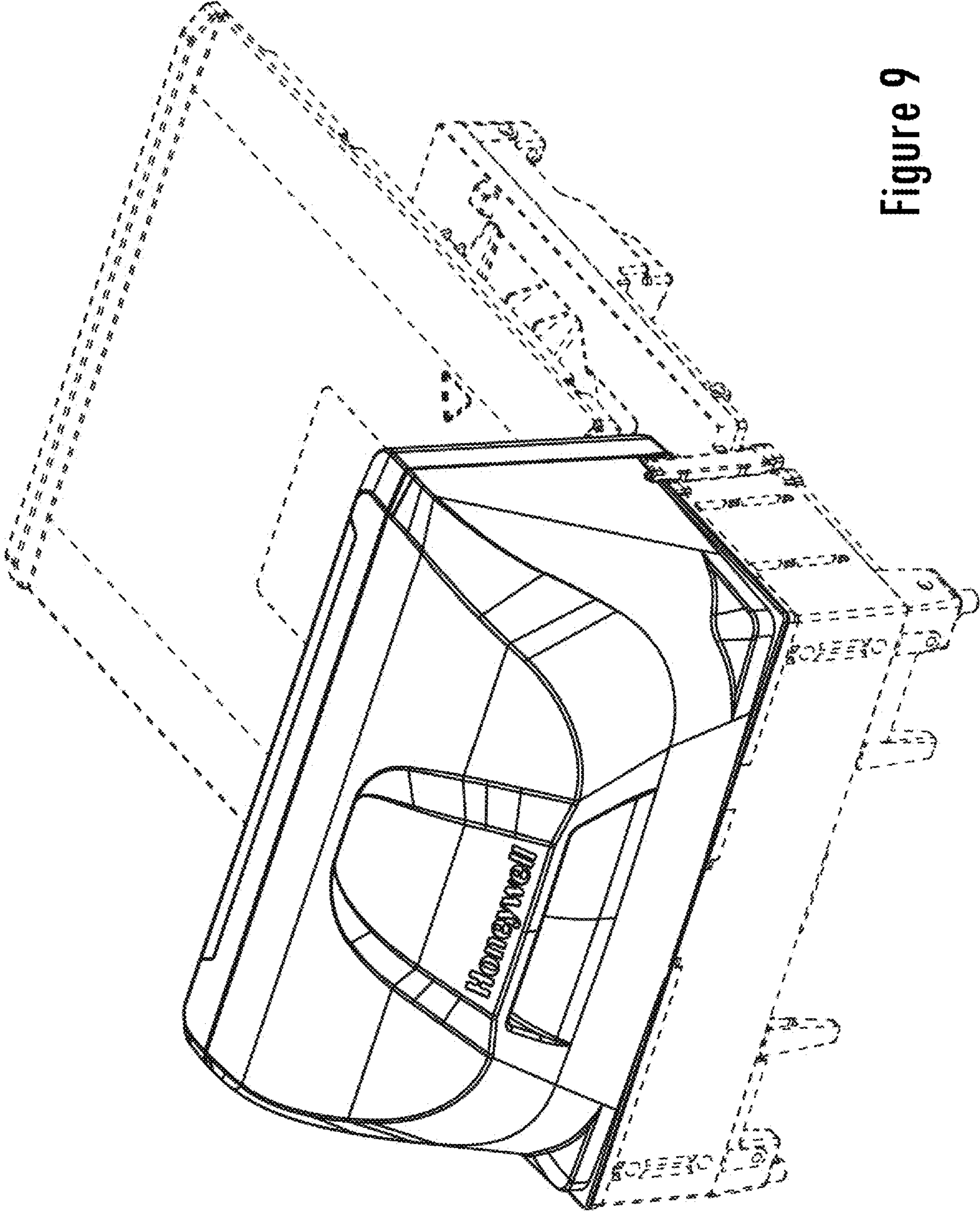


Figure 9

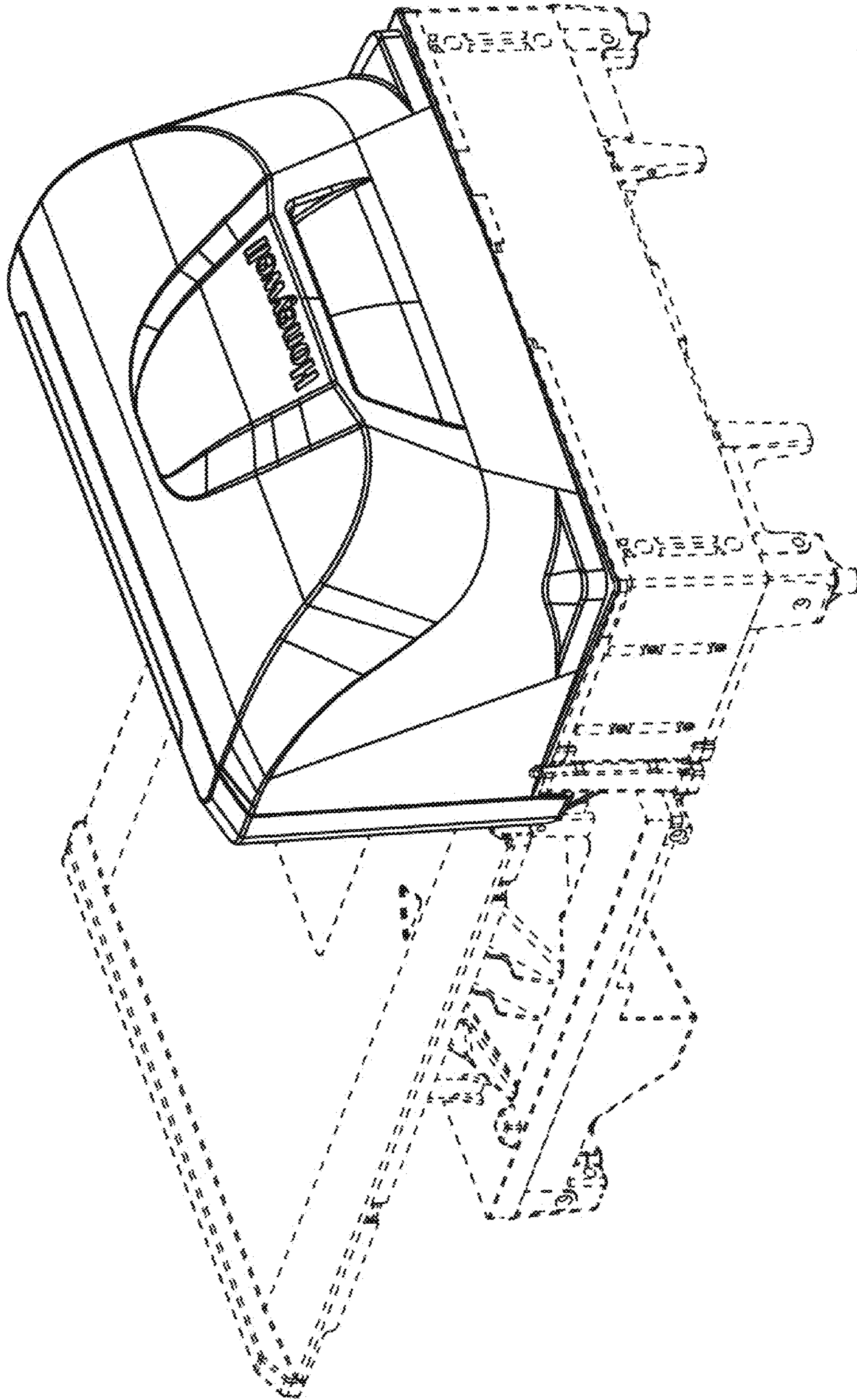


Figure 10