

US00D730900S

(12) **United States Design Patent**
Lowe

(10) **Patent No.:** **US D730,900 S**
(45) **Date of Patent:** **** Jun. 2, 2015**

- (54) **COMPUTER MOUSE**
- (71) Applicant: **Roccat GmbH**, Hamburg (DE)
- (72) Inventor: **Jonathan Lowe**, Hamburg (DE)
- (73) Assignee: **Roccat GmbH**, Hamburg (DE)
- (**) Term: **14 Years**
- (21) Appl. No.: **29/501,100**
- (22) Filed: **Sep. 1, 2014**
- (51) **LOC (10) Cl.** **14-03**
- (52) **U.S. Cl.**
USPC **D14/406**
- (58) **Field of Classification Search**
USPC D14/402-411, 356, 388, 389, 383-385,
D14/417, 426; 345/156-167; 463/36-38;
358/471, 473; 273/148 B
CPC G06F 3/03543; G06F 2203/0333;
G06F 3/039; G06F 3/038; G06F 2203/0384
See application file for complete search history.

D549,704 S *	8/2007	Sandy et al.	D14/406
D561,761 S *	2/2008	Fisher et al.	D14/406
D582,415 S *	12/2008	Manalo	D14/406
D594,459 S *	6/2009	Manalo et al.	D14/406
D596,180 S *	7/2009	Manalo et al.	D14/406
D602,493 S *	10/2009	Beale	D14/455
D606,075 S *	12/2009	Manalo et al.	D14/406
D669,895 S *	10/2012	Li et al.	D14/409
D688,664 S *	8/2013	Guerra	D14/409
D712,903 S *	9/2014	Lai	D14/409

* cited by examiner

Primary Examiner — Austin Murphy
(74) *Attorney, Agent, or Firm* — Inventa Capital PLC

(57) **CLAIM**
I claim the ornamental design for a computer mouse, as shown and described.

DESCRIPTION

FIG. 1 is a top perspective view of a computer mouse of the present invention;
FIG. 2 is a bottom view of the computer mouse;
FIG. 3 is a front view of the computer mouse;
FIG. 4 is a rear view of the computer mouse;
FIG. 5 is a right side view of the computer mouse;
FIG. 6 is a left side view of the computer mouse; and,
FIG. 7 is a perspective view of the computer mouse.

1 Claim, 7 Drawing Sheets

- (56) **References Cited**
U.S. PATENT DOCUMENTS
D394,850 S * 6/1998 Kitoh D14/406
D430,162 S * 8/2000 Choy D14/406
D533,554 S * 12/2006 Sheehan et al. D14/409

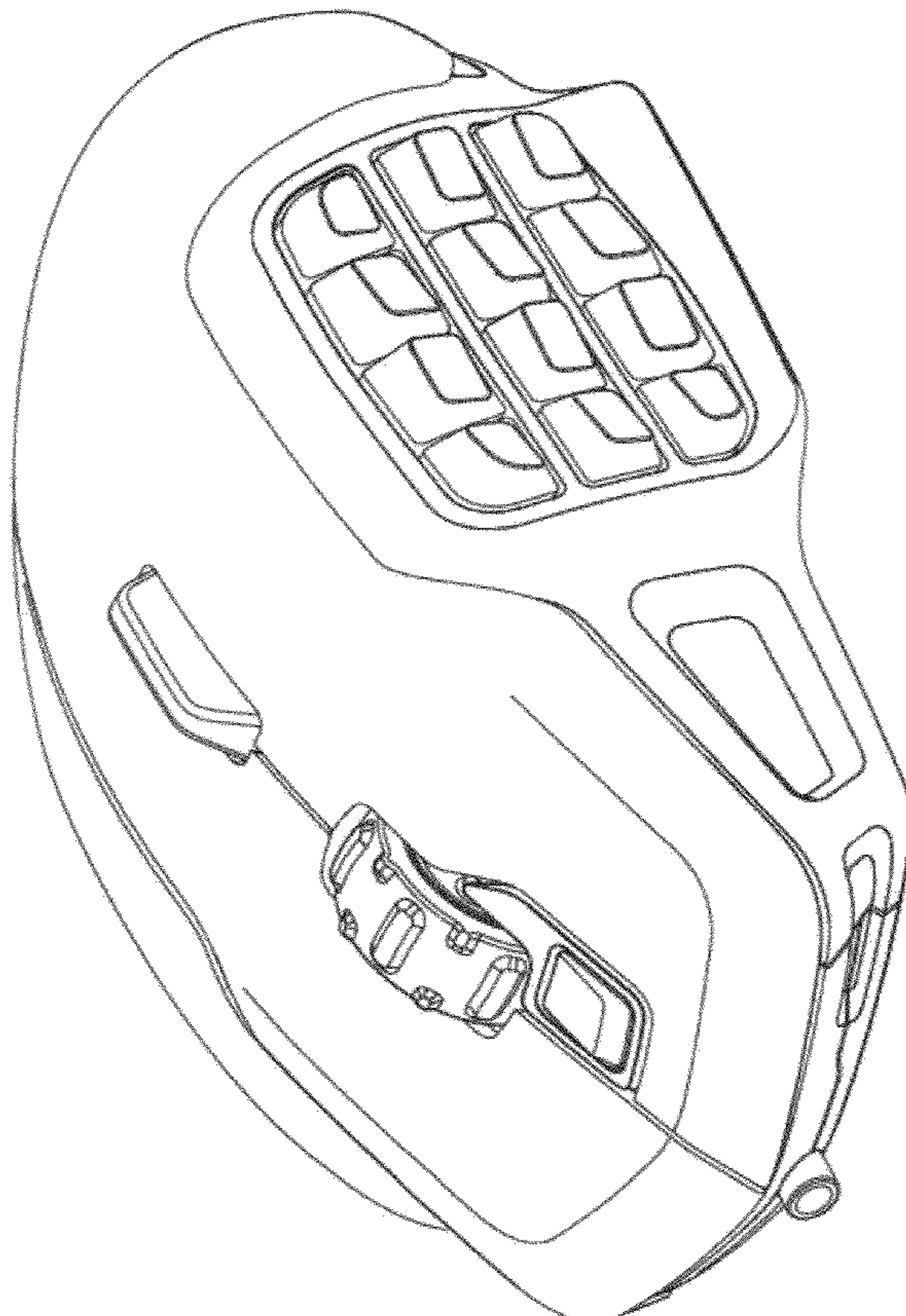
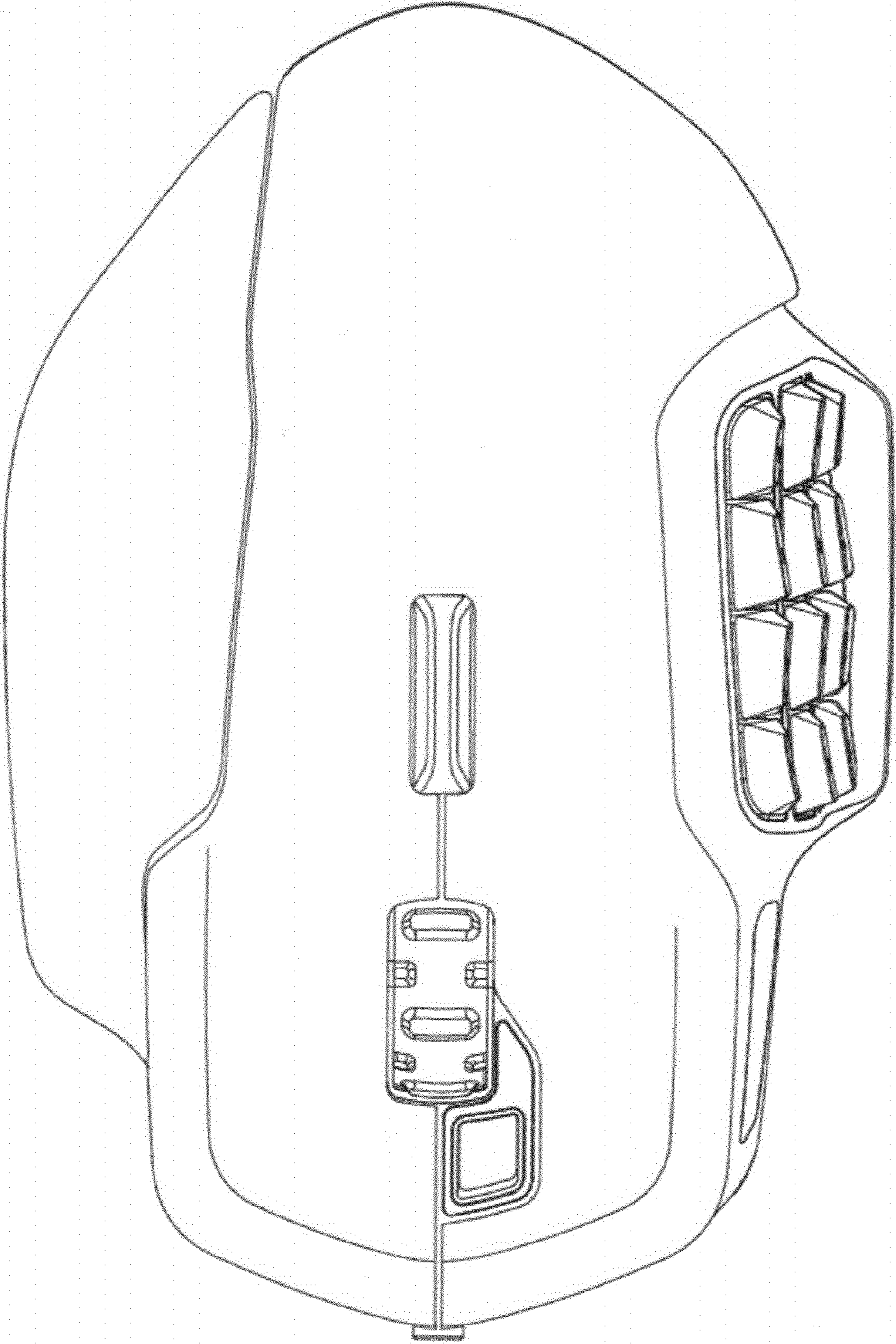


FIGURE 1



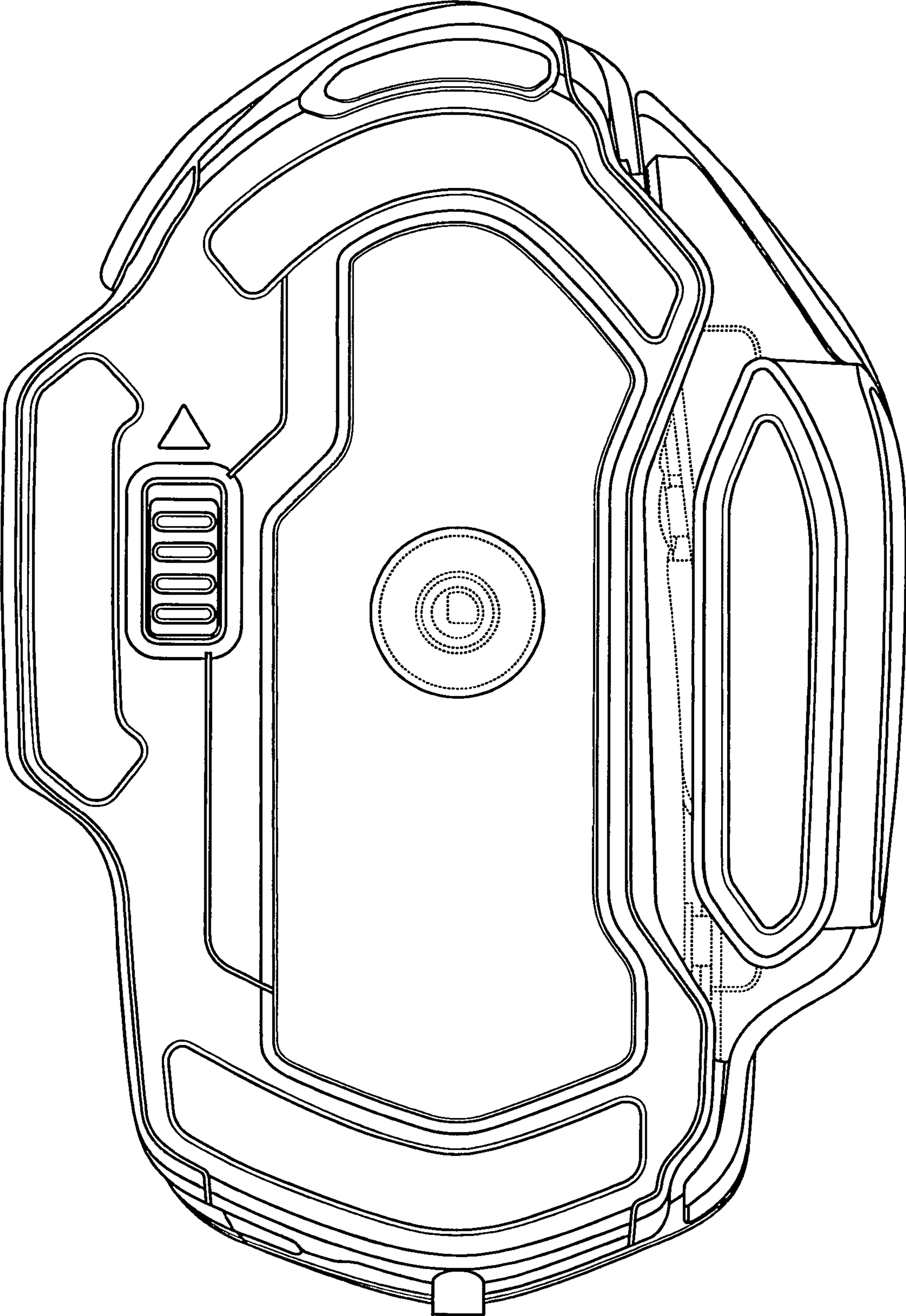


FIG. 2

FIGURE 3

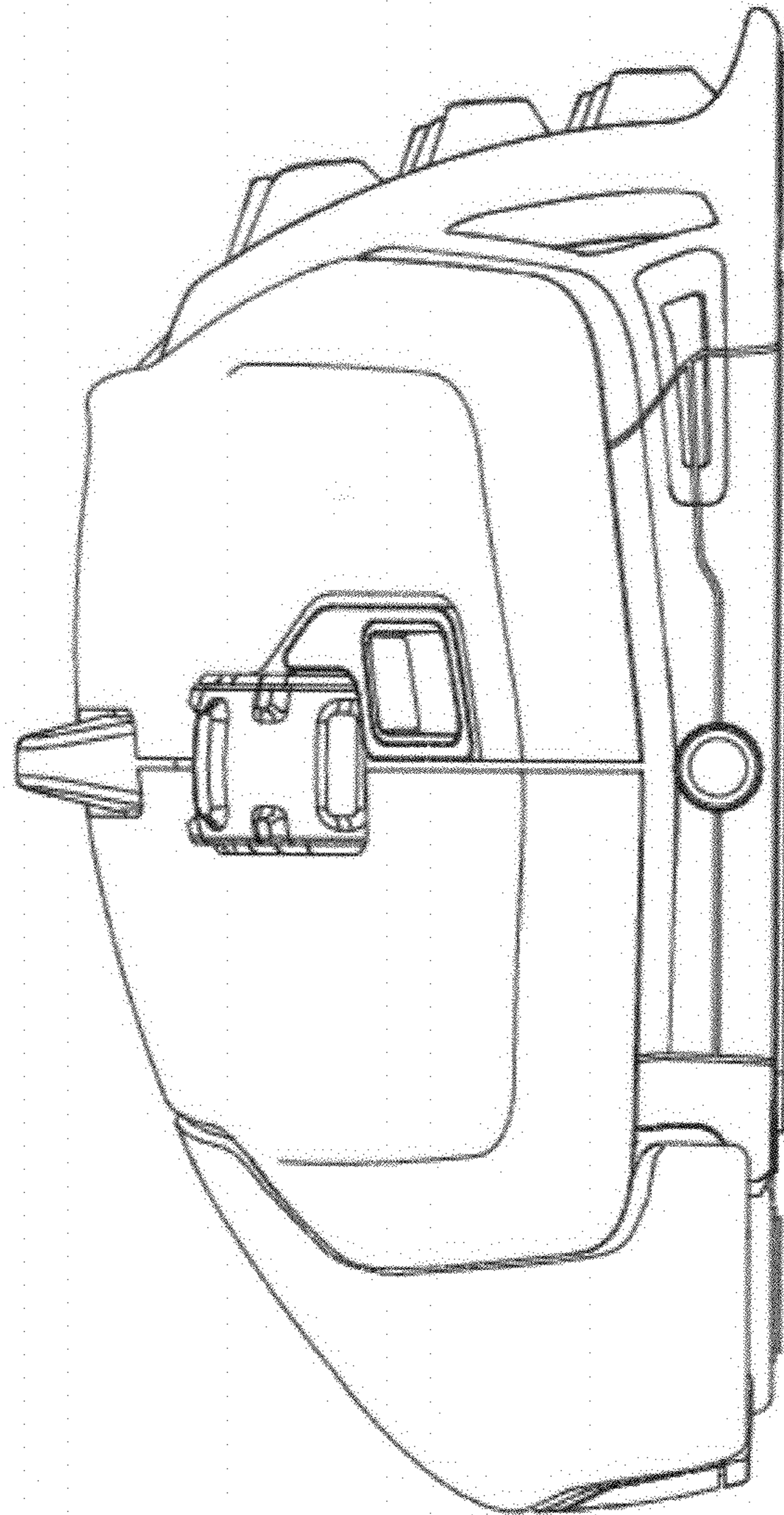


FIGURE 4

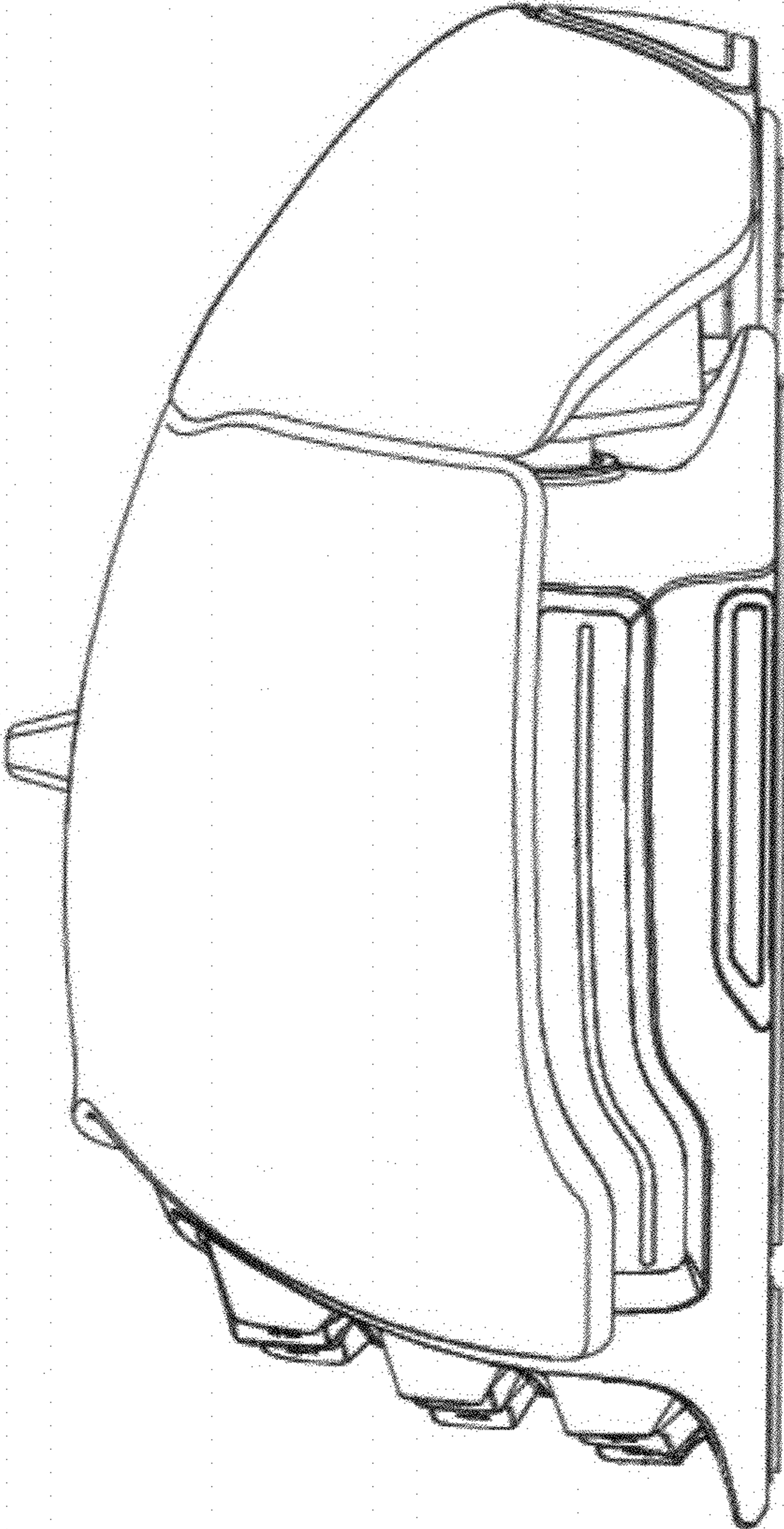


FIGURE 5

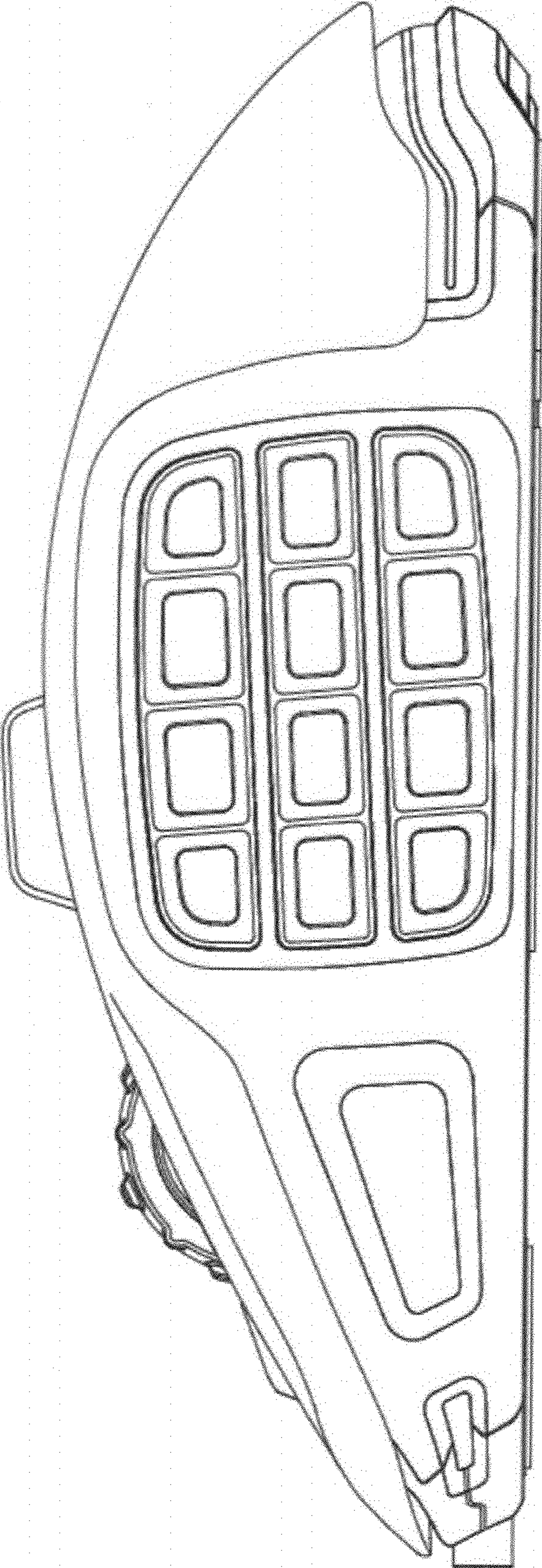


FIGURE 6

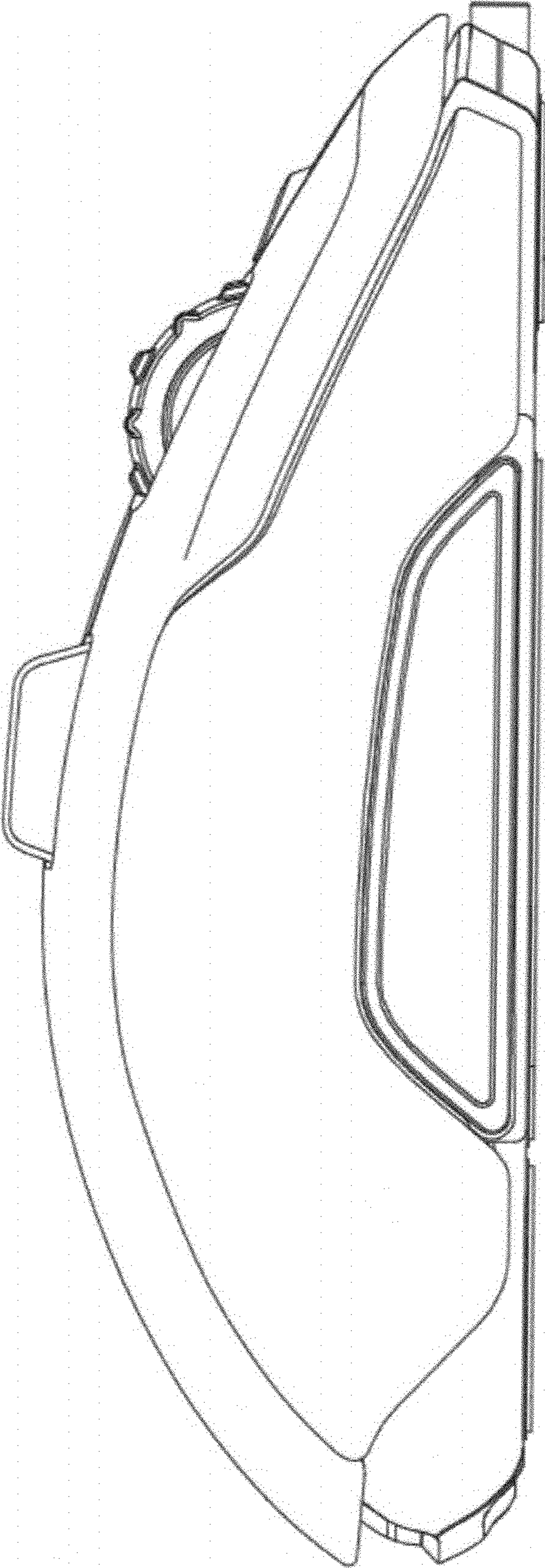


FIGURE 7

