



US00D730899S

(12) **United States Design Patent**
Daniel

(10) **Patent No.:** **US D730,899 S**
(45) **Date of Patent:** **** Jun. 2, 2015**

(54) **ELECTRONIC CARD READER DEVICE WITH IMAGE CAPTURING MEANS**

(71) Applicant: **Isaac S. Daniel**, Miramar, FL (US)

(72) Inventor: **Isaac S. Daniel**, Miramar, FL (US)

(**) Term: **14 Years**

(21) Appl. No.: **29/446,855**

(22) Filed: **Feb. 27, 2013**

(51) **LOC (10) Cl.** **14-02**

(52) **U.S. Cl.**
USPC **D14/385**

(58) **Field of Classification Search**
USPC D14/356-358, 383-385, 420, 426, 427, D14/432-439, 447, 453, 454, 217, 253, D14/299; D13/107, 108, 133, 146, 147, D13/152, 154, 156, 158, 162, 162.1, 168, D13/173, 177, 102; 235/441, 451, 492, 380, 235/439, 375; 361/679.31, 600, 679.01, 361/679.02

See application file for complete search history.

(56) **References Cited**

U.S. PATENT DOCUMENTS

D585,056 S *	1/2009	Ekelund	D14/336
D594,002 S *	6/2009	Kettula	D14/240
D608,362 S *	1/2010	Barron et al.	D14/424
D624,076 S *	9/2010	Huh et al.	D14/366
D646,273 S *	10/2011	Daniel	D14/385
D673,564 S *	1/2013	Milliff	D14/358
D686,984 S *	7/2013	Henderson et al.	D13/107
D698,789 S *	2/2014	Daniel	D14/385
D701,860 S *	4/2014	Daniel	D14/385
D703,670 S *	4/2014	Rotsaert	D14/385

D711,875 S *	8/2014	Daniel	D14/385
D716,304 S *	10/2014	Orthey	D14/420
2012/0262109 A1 *	10/2012	Toya et al.	320/108

* cited by examiner

Primary Examiner — Austin Murphy

(74) *Attorney, Agent, or Firm* — Carol N. Green Kaul, Esq.

(57) **CLAIM**

The ornamental design for electronic card reader device with image capturing means, as shown and described.

DESCRIPTION

FIG. 1 is a top perspective view of the electronic card reader device with image capturing means.

FIG. 2 is a bottom perspective view of the electronic card reader device with image capturing means.

FIG. 3 is a top plan view of the electronic card reader device with image capturing means.

FIG. 4 is a bottom plan view of the electronic card reader device with image capturing means.

FIG. 5 is a front view of the electronic card reader device with image capturing means.

FIG. 6 is a rear view of the electronic card reader device with image capturing means.

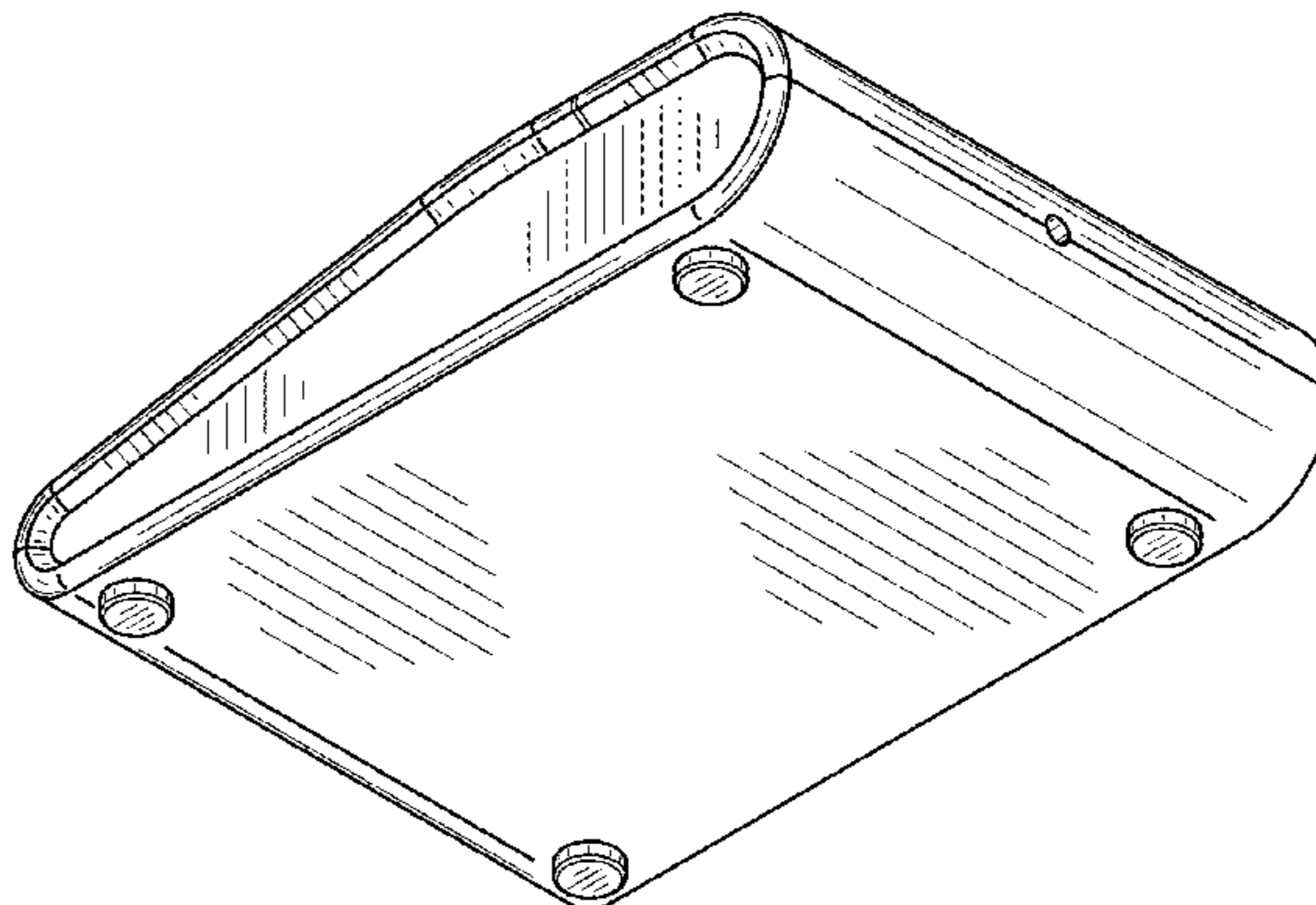
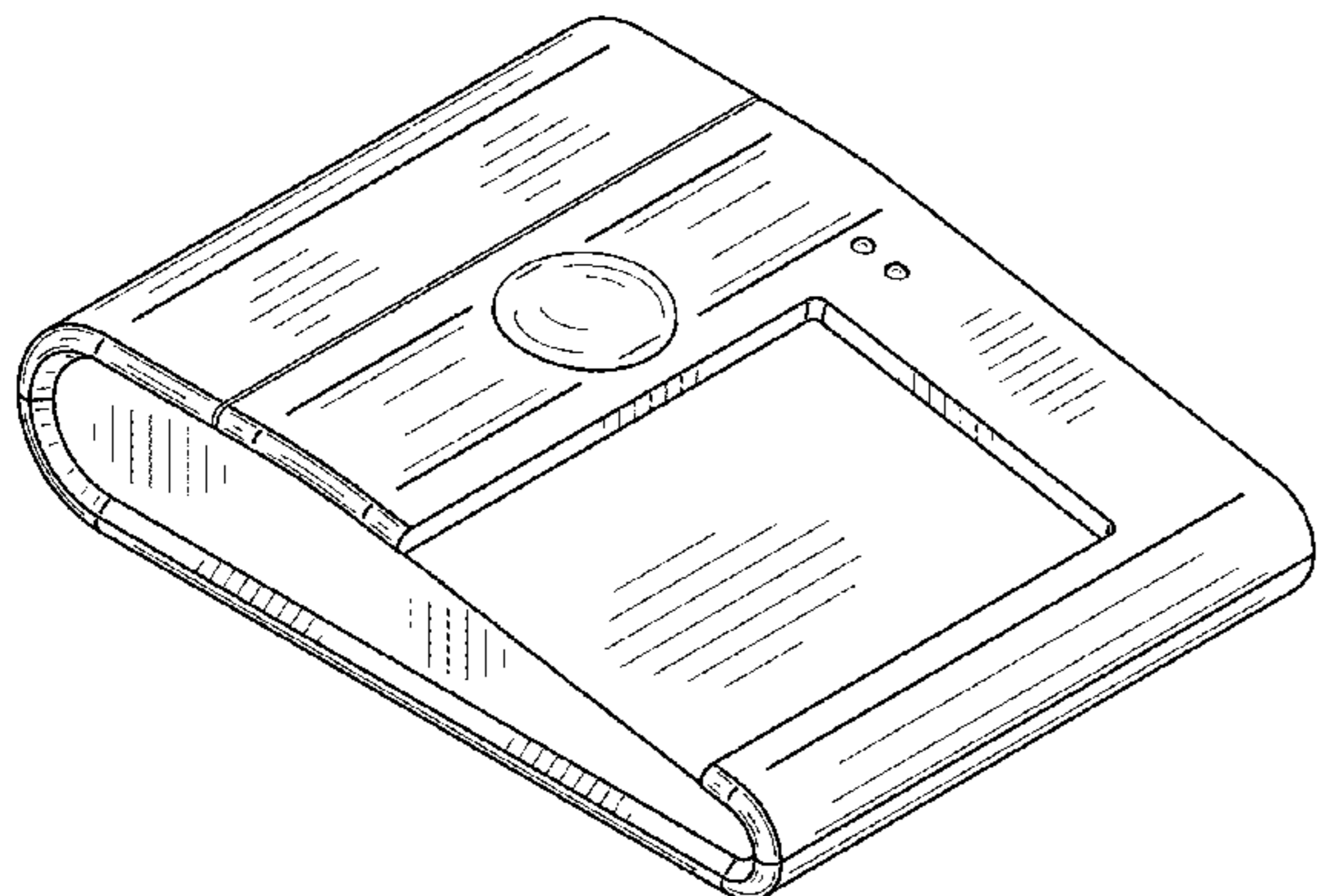
FIG. 7 is a right side perspective view of the electronic card reader device with image capturing means.

FIG. 8 is a left side perspective view of the electronic card reader device with image capturing means; and,

FIG. 9 is a top perspective view of the electronic card reader device with image capturing means in use with a card.

The broken lines shown in FIG. 9 depict a card showing the environment when the electronic card reader device with image capturing means is in use and form no part of the claimed design.

1 Claim, 4 Drawing Sheets



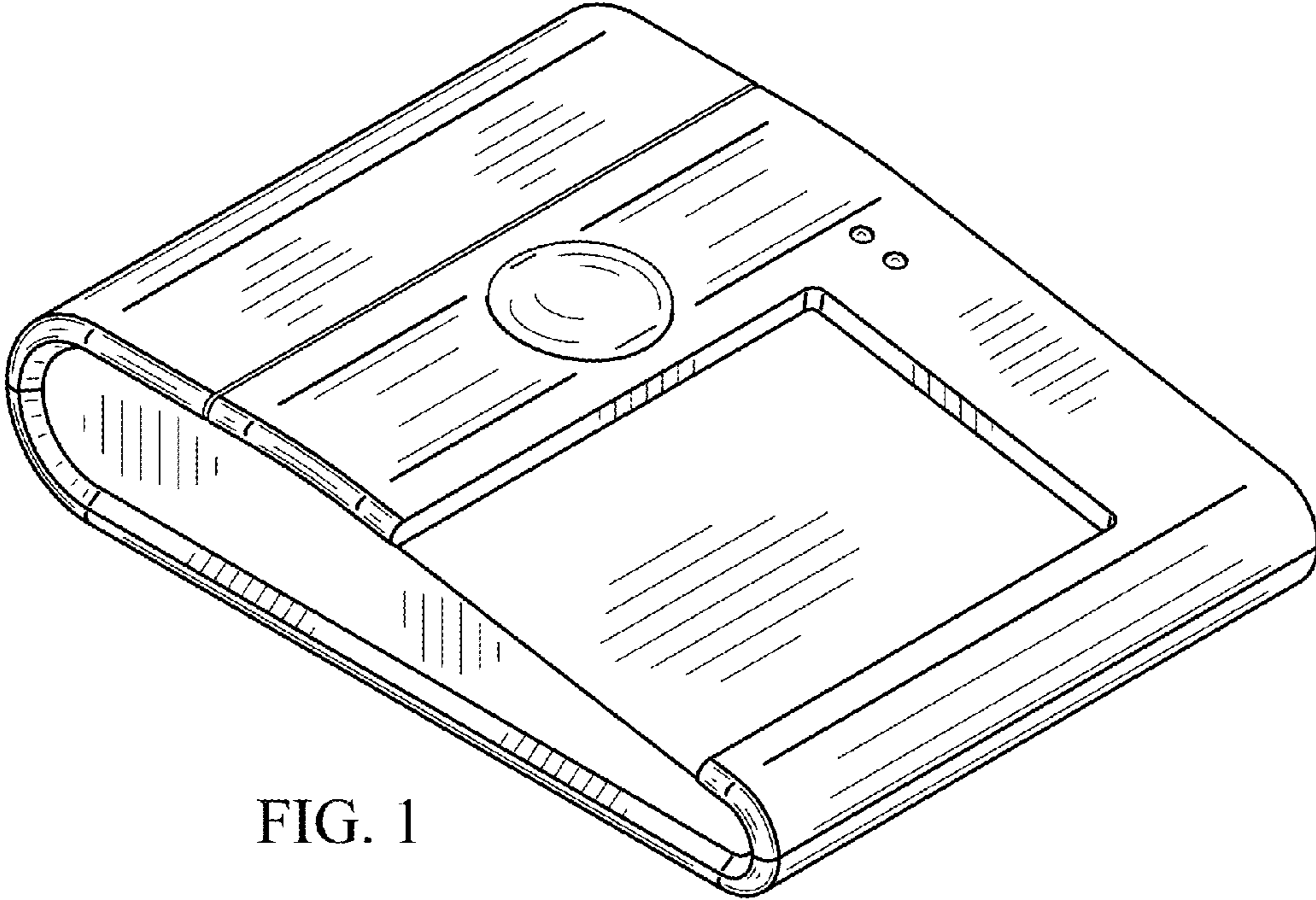


FIG. 1

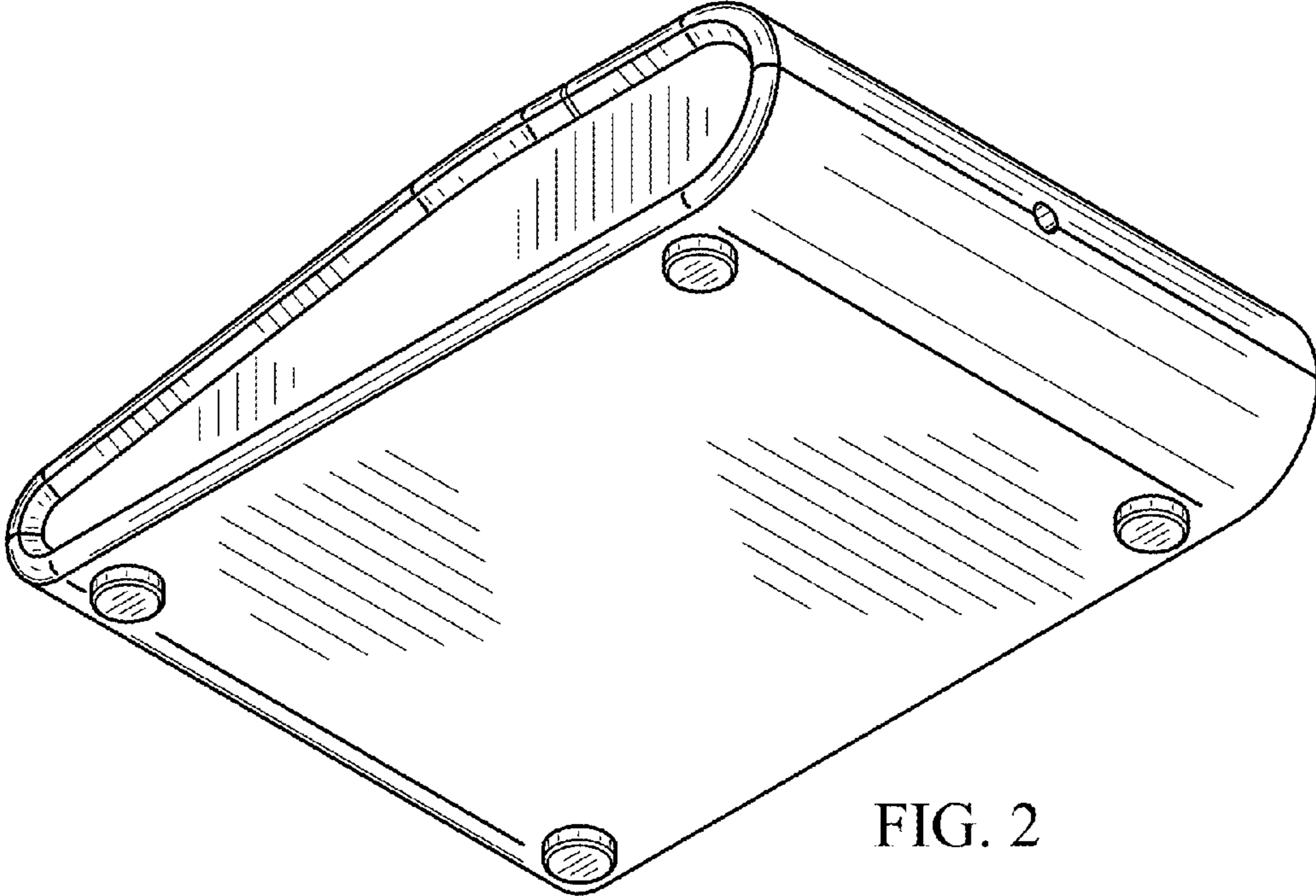


FIG. 2

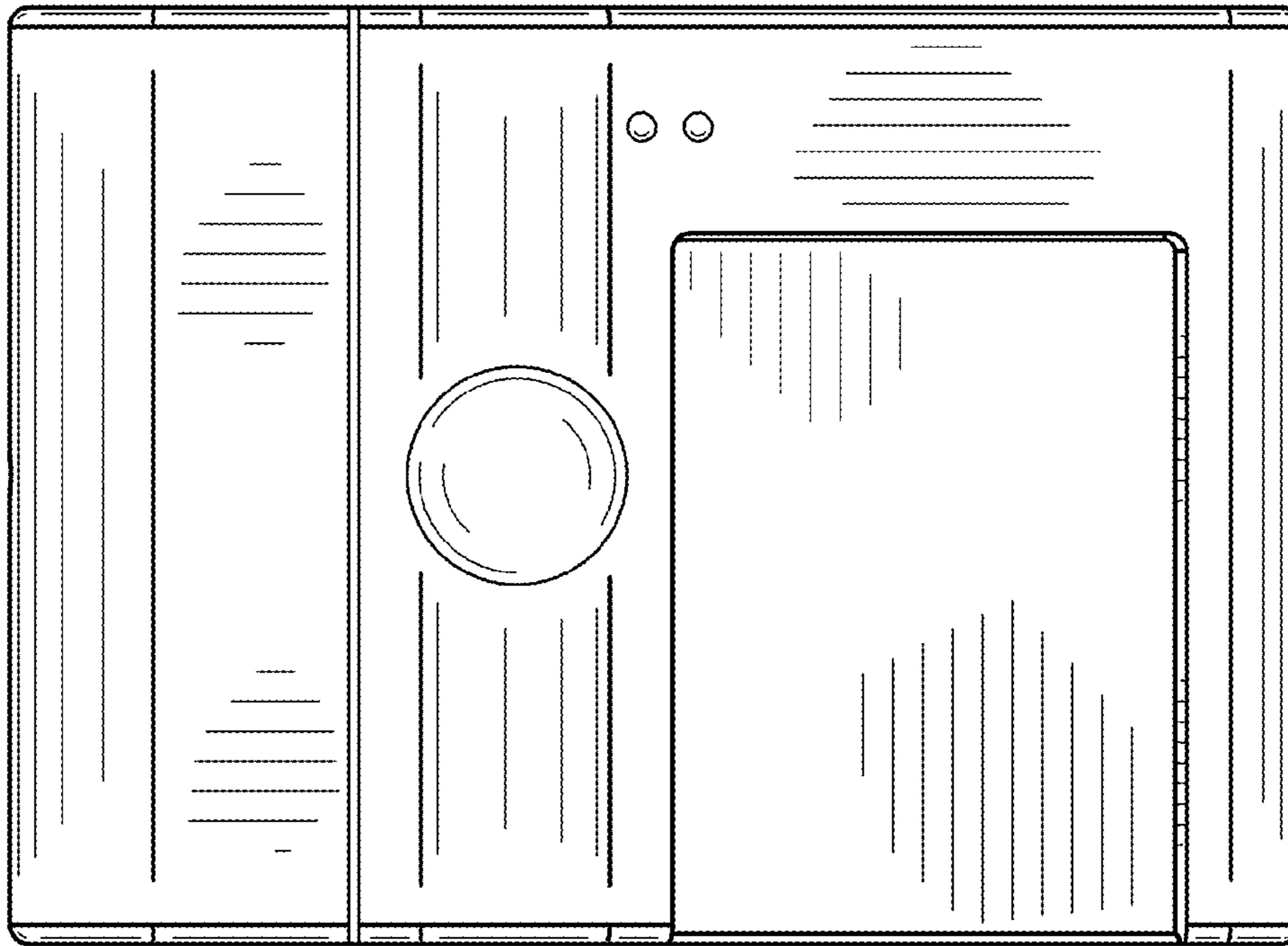


FIG. 3

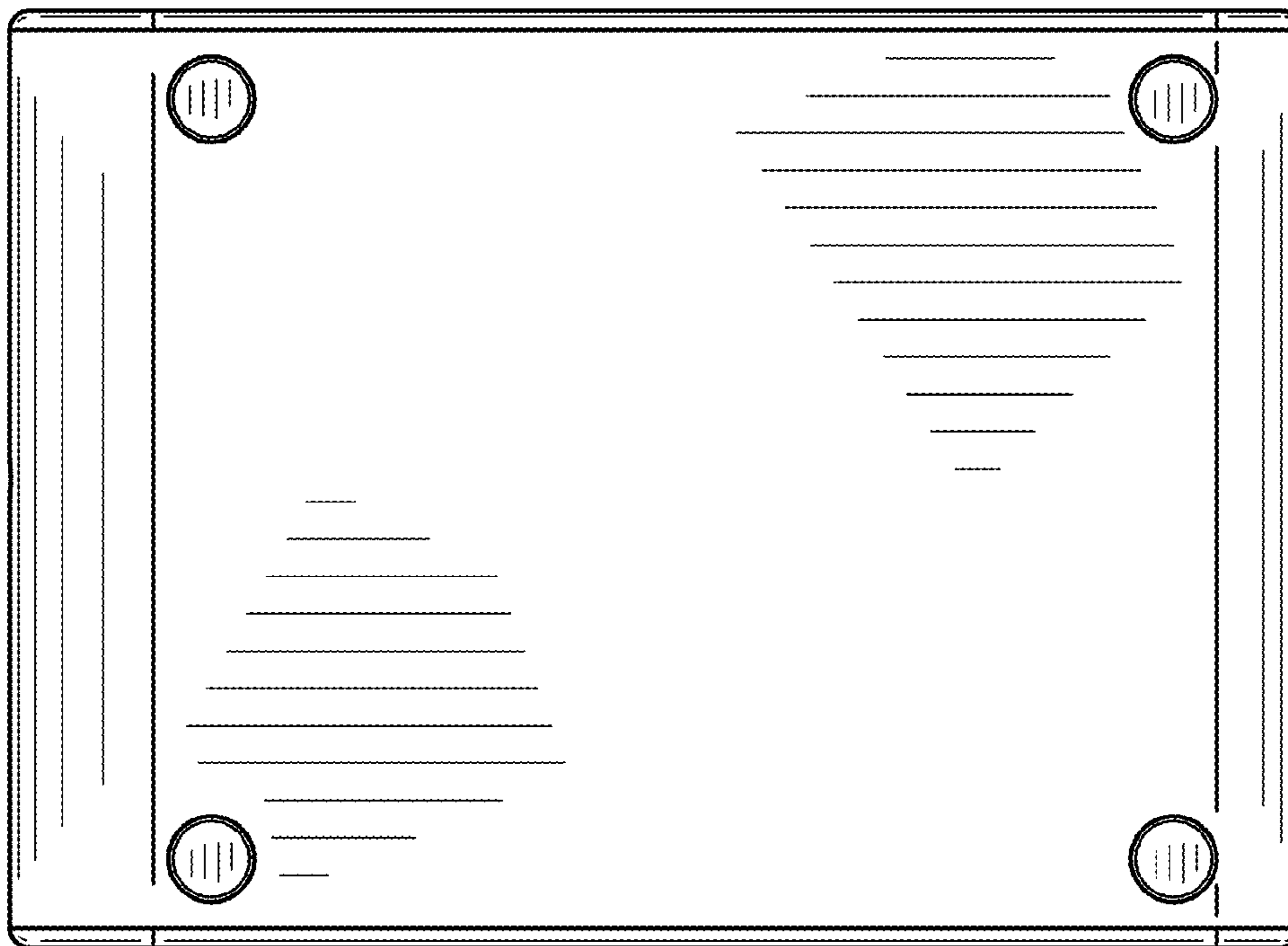


FIG. 4

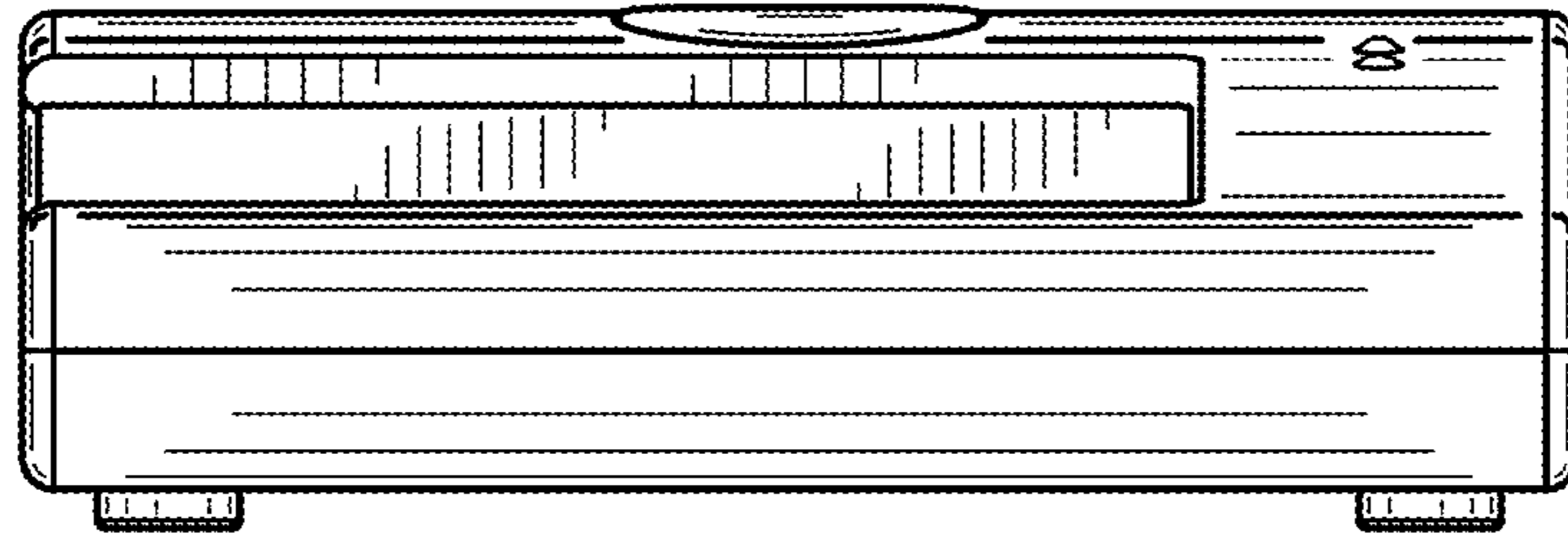


FIG. 5

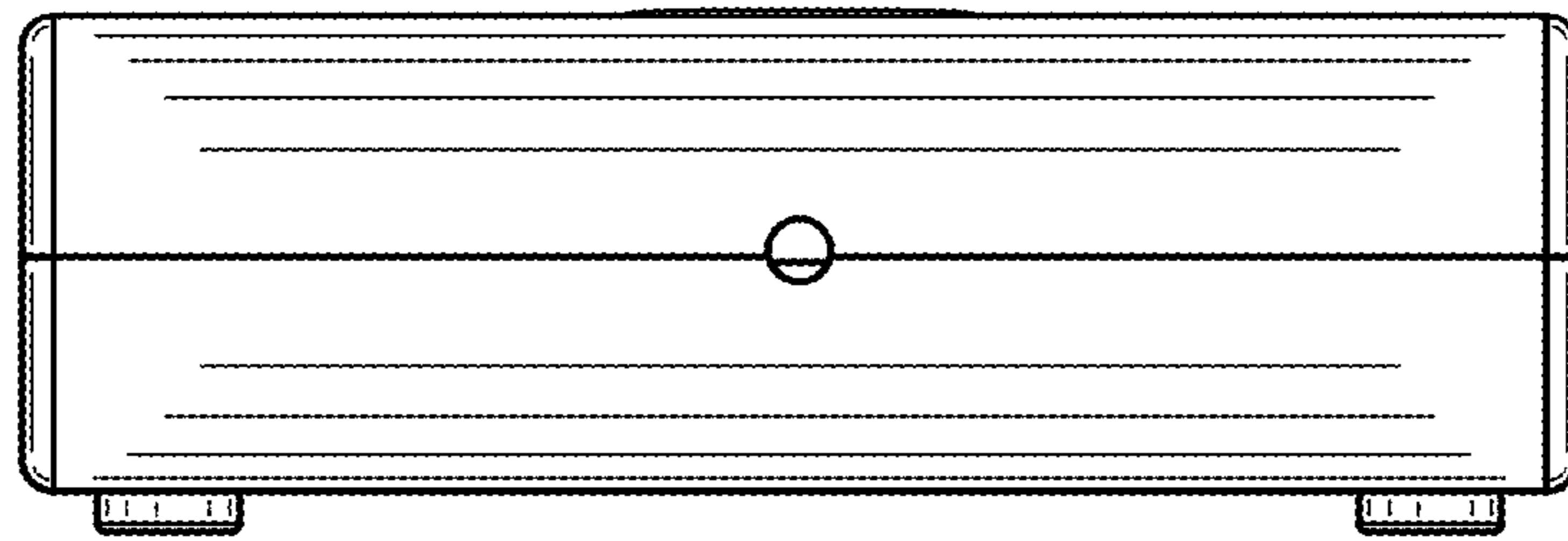


FIG. 6

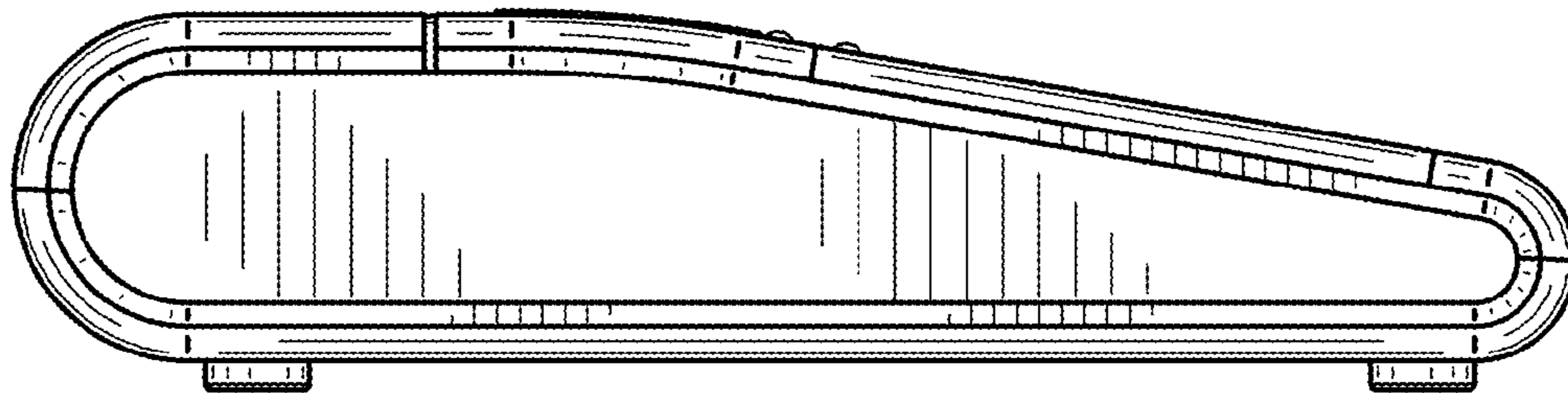


FIG. 7

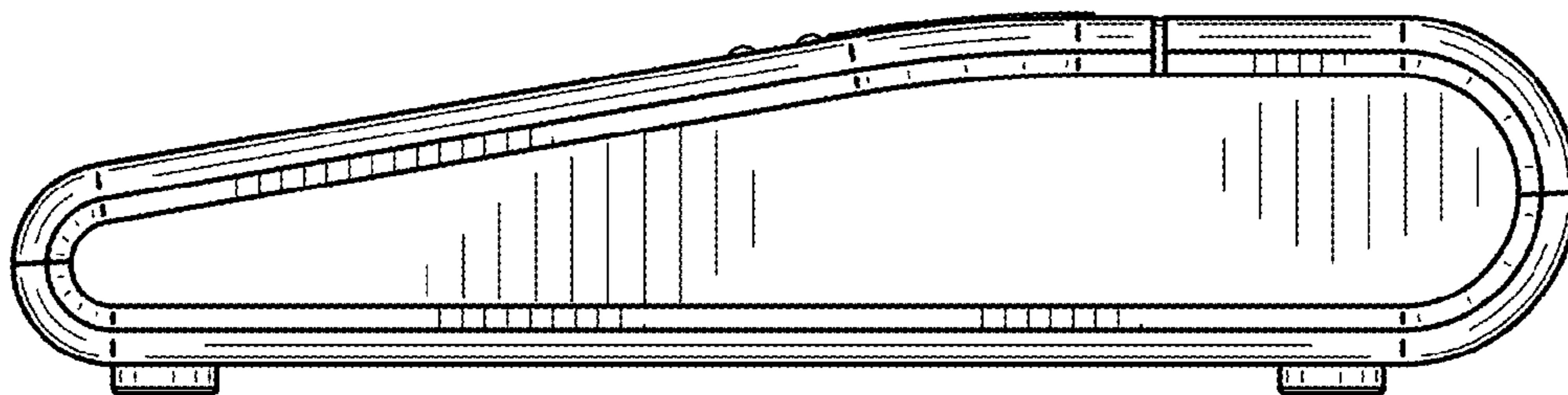


FIG. 8

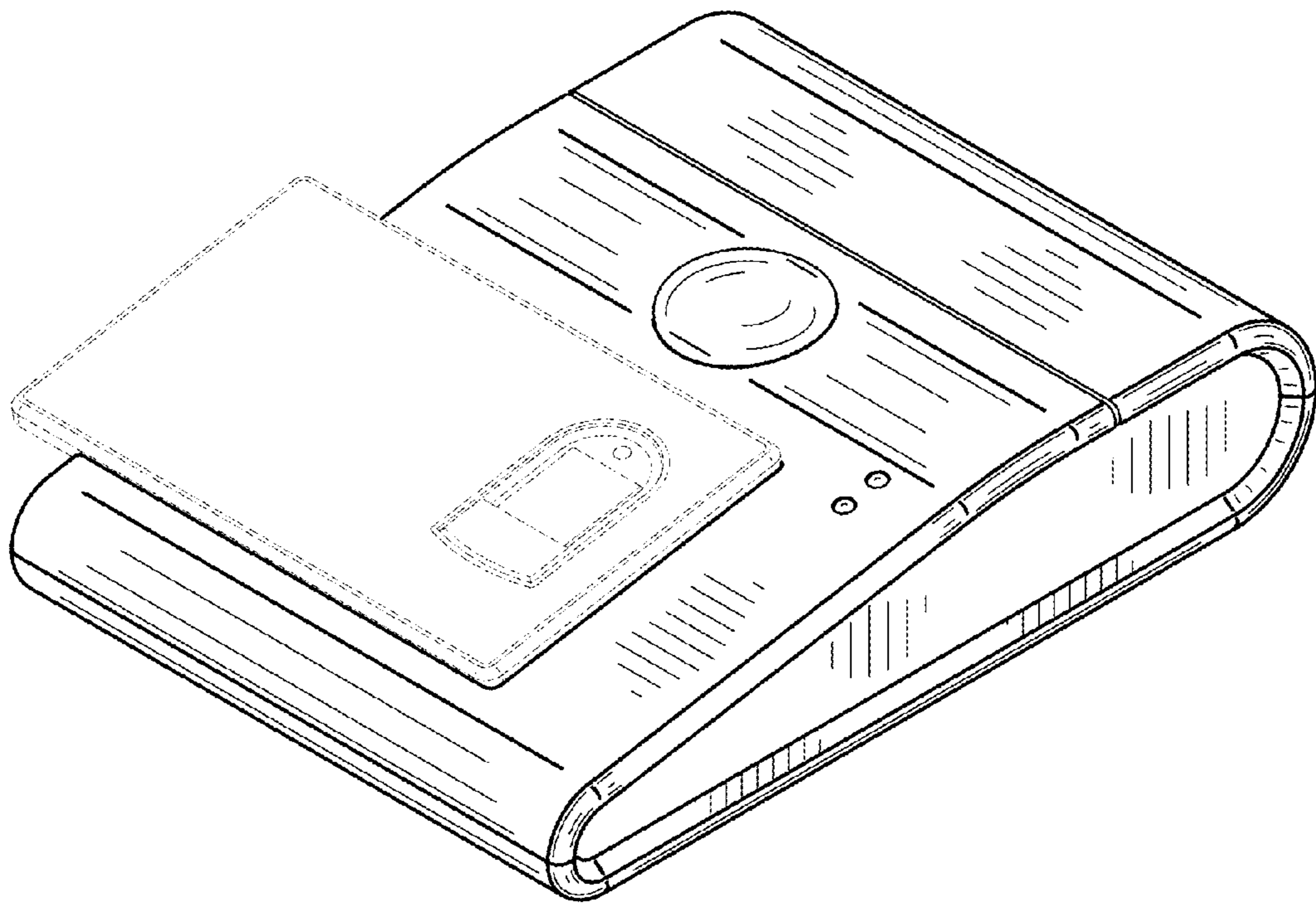


FIG. 9