



US00D730896S

(12) **United States Design Patent**  
**Hwangbo et al.**

(10) **Patent No.:** **US D730,896 S**  
(45) **Date of Patent:** **\*\* Jun. 2, 2015**

(54) **DISPLAY SCREEN**

(71) Applicant: **Samsung Electronics Co., Ltd.**,  
Suwon-Si, Gyeonggi-Do (KR)  
(72) Inventors: **Hyung Ho Hwangbo**, Seoul (KR); **Nam  
Hyun Park**, Suwon-si (KR); **Hae Sung  
Park**, Seoul (KR); **Ri-Na Sin**, Seoul  
(KR); **Do Sung Jung**, Seoul (KR);  
**Christopher Edward Bangle**,  
Clavesana (IT)  
(73) Assignee: **Samsung Electronics Co., Ltd.**,  
Gyeonggi-do (KR)

(\*\*) Term: **14 Years**

(21) Appl. No.: **29/464,912**

(22) Filed: **Aug. 22, 2013**

(30) **Foreign Application Priority Data**

Feb. 22, 2013 (KR) ..... 30-2013-0009407

(51) **LOC (10) Cl.** ..... **14-02**

(52) **U.S. Cl.**  
USPC ..... **D14/374**

(58) **Field of Classification Search**  
USPC ..... D14/371-375, 125-129, 336, 337, 341,  
D14/138 R; 341/12; 345/104, 156, 168, 173;  
348/180, 184, 325, 739; 349/1, 2, 11,  
349/62; 361/679.05-679.07, 679.21;  
D6/300, 308

See application file for complete search history.

(56) **References Cited**

U.S. PATENT DOCUMENTS

D607,854 S \* 1/2010 Sagawa ..... D14/126  
D669,076 S \* 10/2012 Haller ..... D14/374  
D673,129 S \* 12/2012 Kumano ..... D14/126

\* cited by examiner

*Primary Examiner* — Freda S Nunn

(74) *Attorney, Agent, or Firm* — Harness, Dickey & Pierce,  
P.L.C.

(57) **CLAIM**

The ornamental design for a display screen, as shown and  
described.

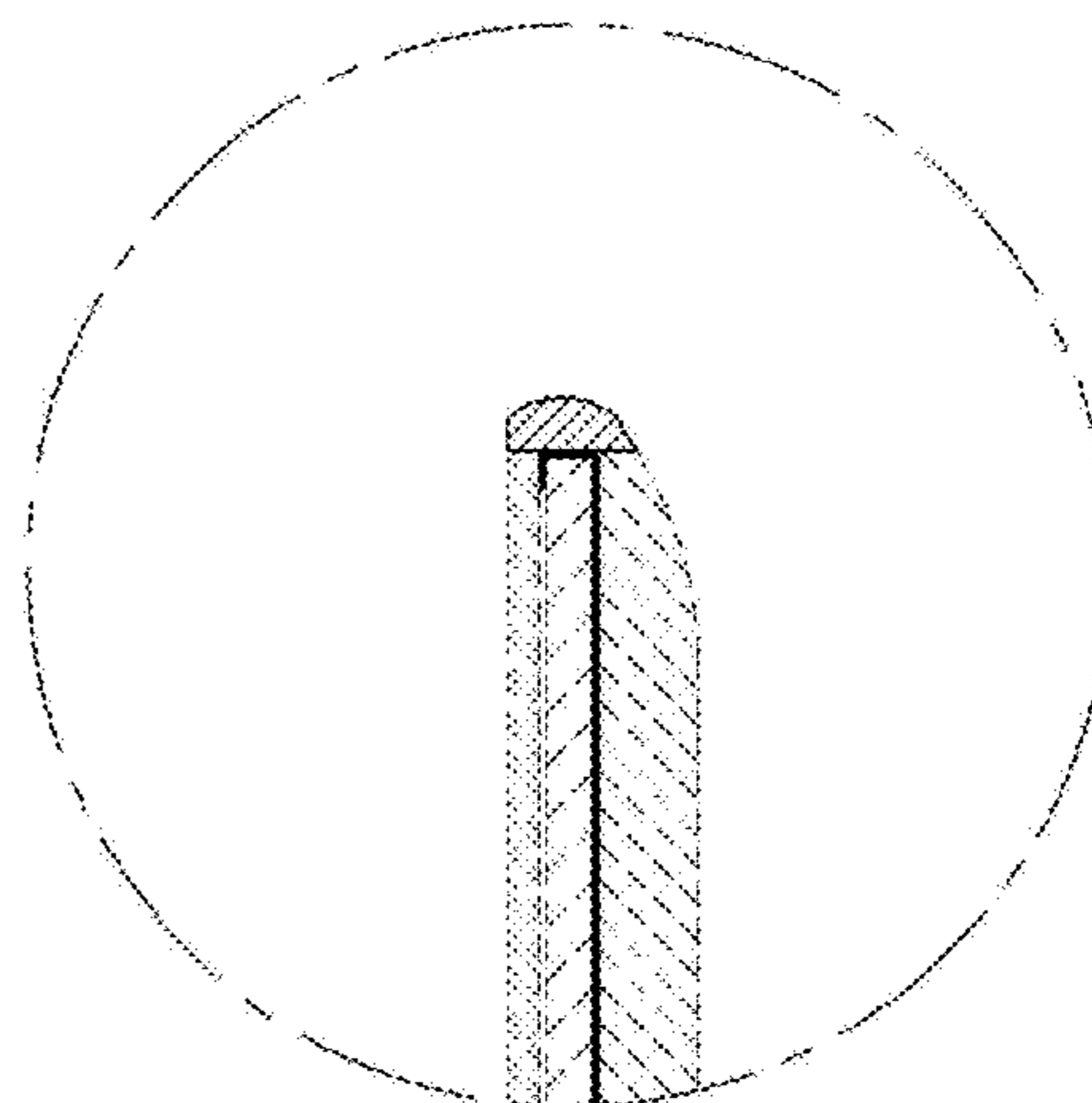
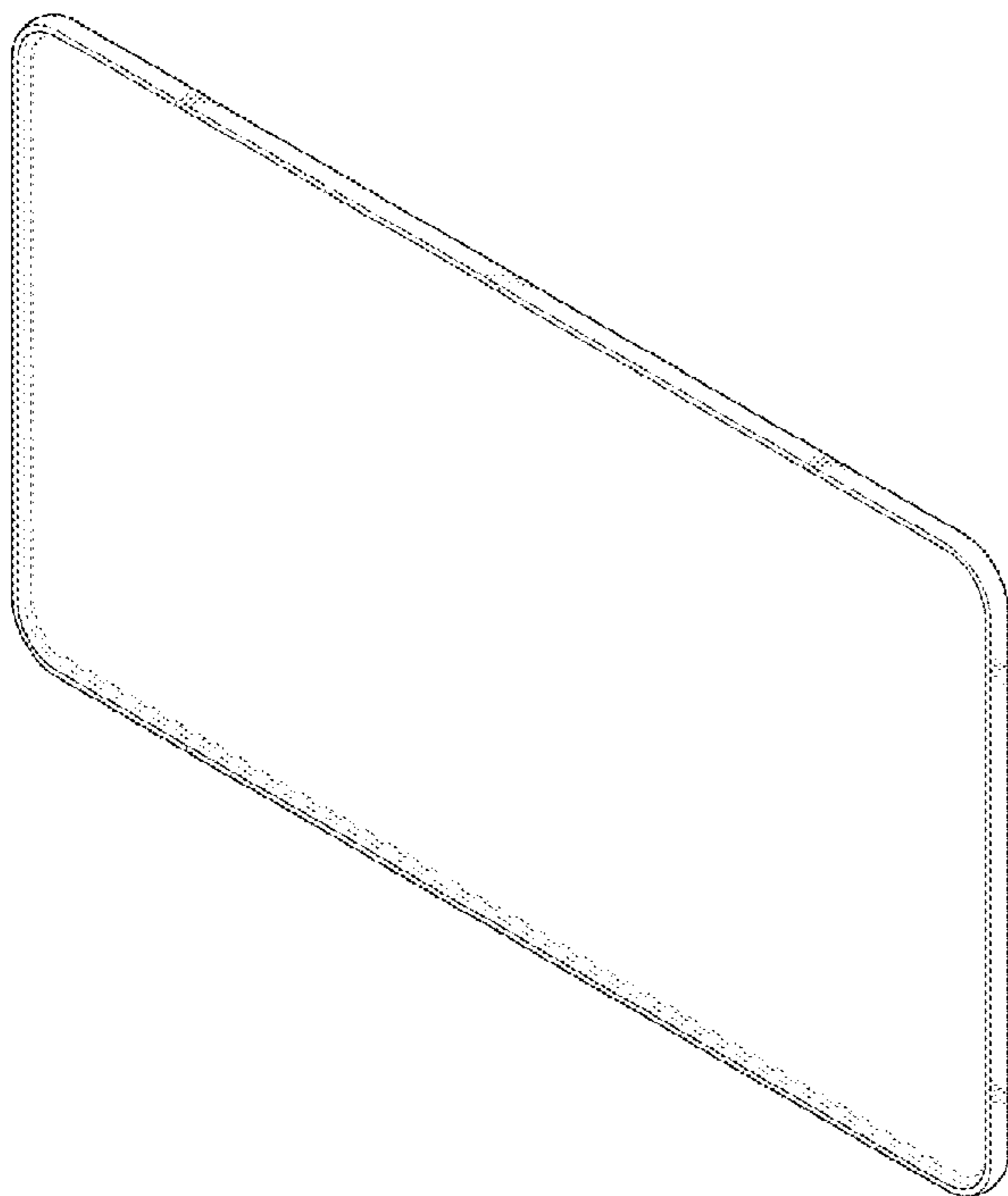
**DESCRIPTION**

FIG. 1 is the front perspective view of a display screen show-  
ing our new design;  
FIG. 2 is a front view thereof;  
FIG. 3 is a rear view thereof;  
FIG. 4 is a left-side view thereof;  
FIG. 5 is a right-side view thereof;  
FIG. 6 is a top plan view thereof;  
FIG. 7 is a bottom plan view thereof;  
FIG. 8 is the rear perspective view thereof; and,  
FIG. 9 is a partially enlarged section view of FIG. 5 that is  
included to more clearly depict the design from the right-side  
view (A) of FIG. 5.

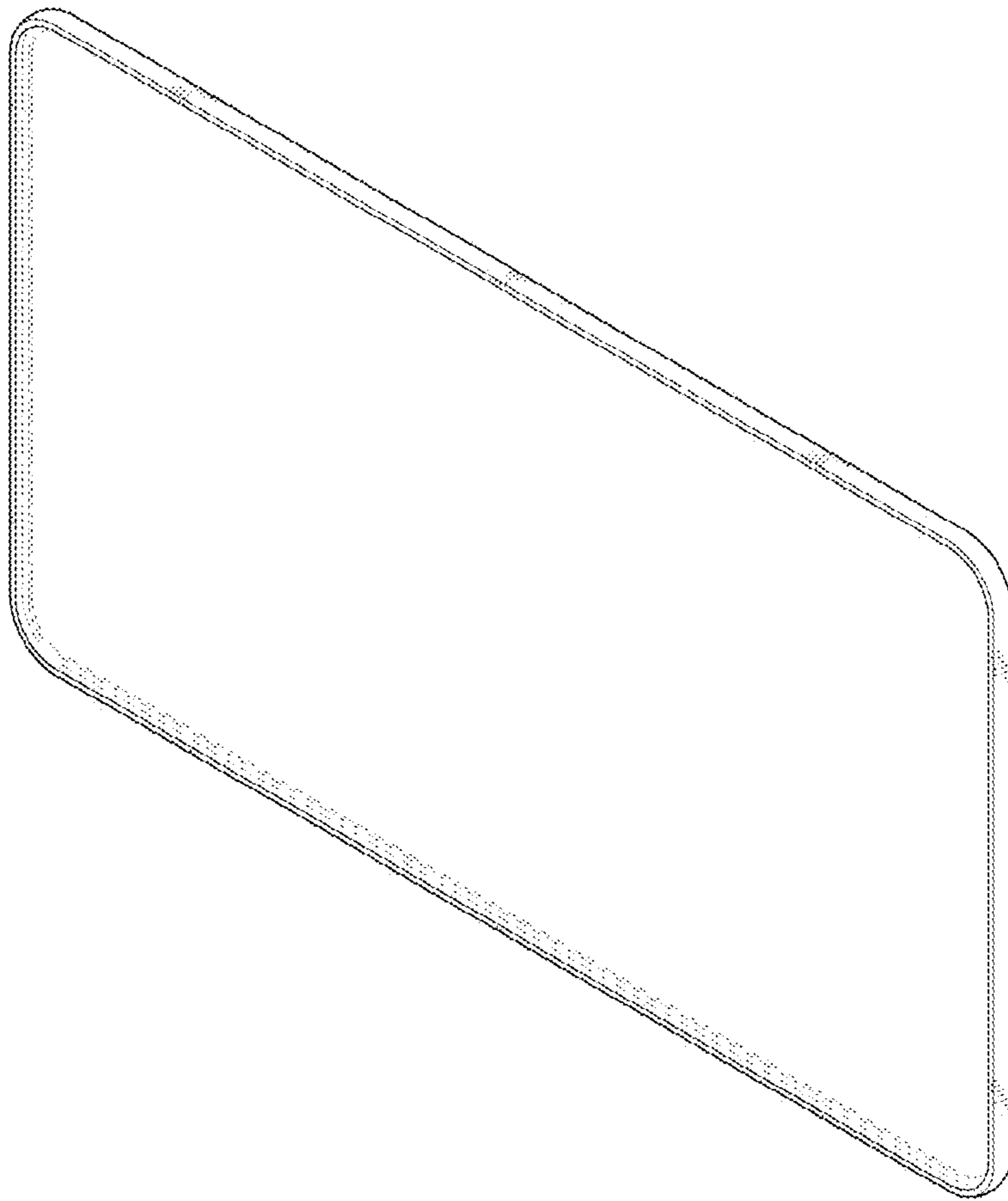
The broken lines shown in the drawings represent unclaimed  
portions.

The surface treatment of the display screen shown in the  
figures forms no part of the claimed design.

**1 Claim, 8 Drawing Sheets**



**FIG. 1**



**FIG. 2**

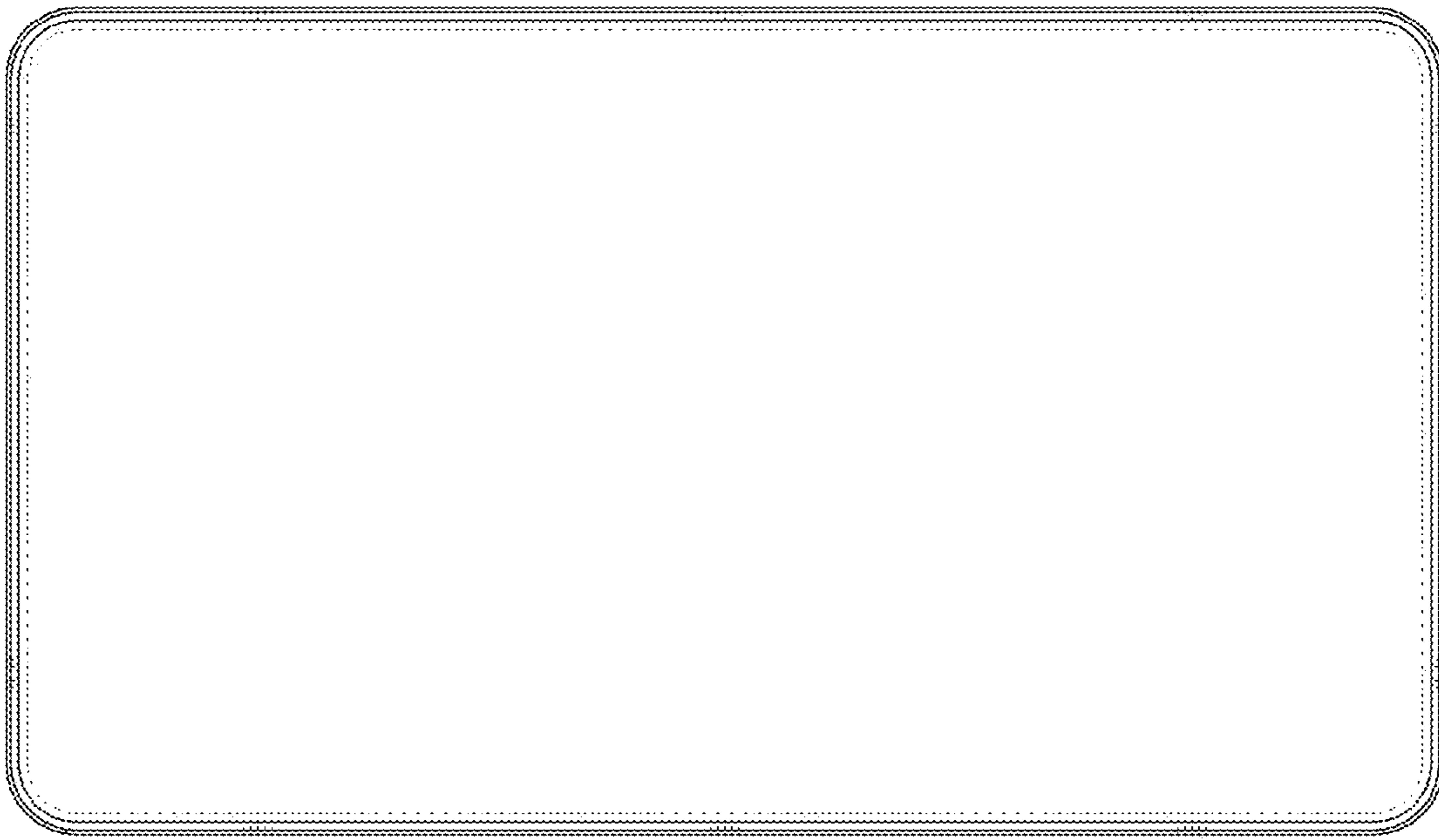
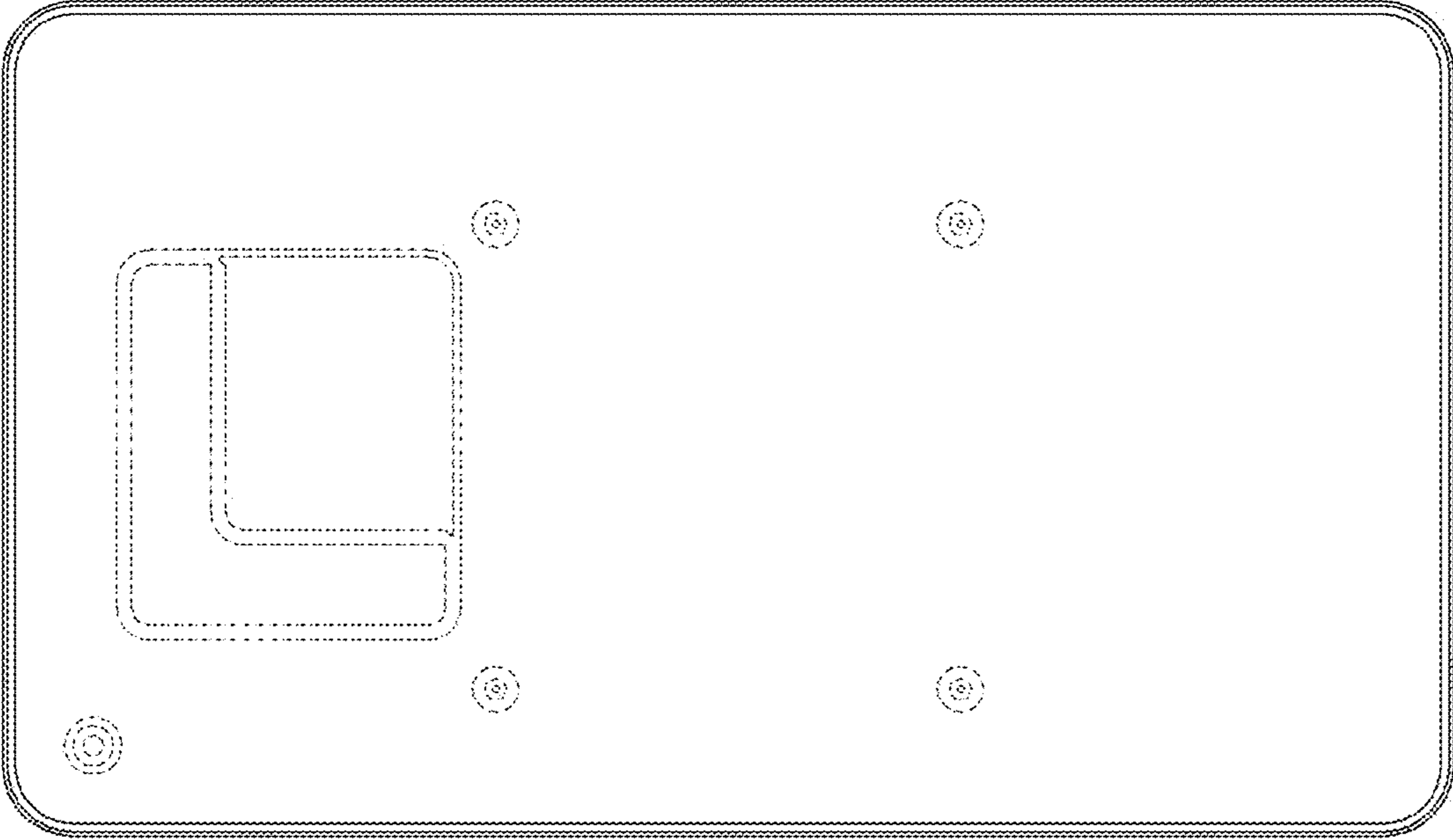
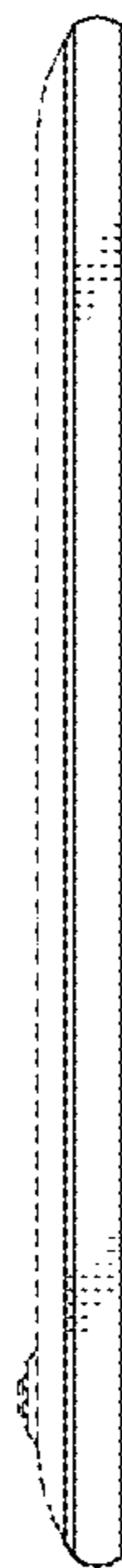


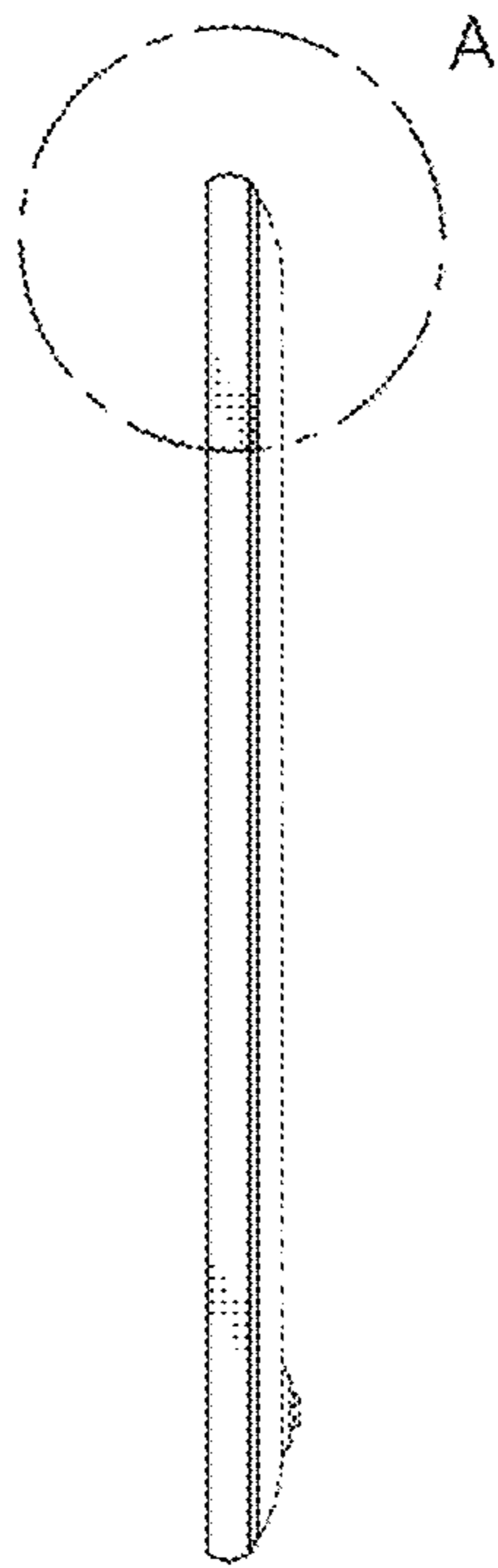
FIG. 3



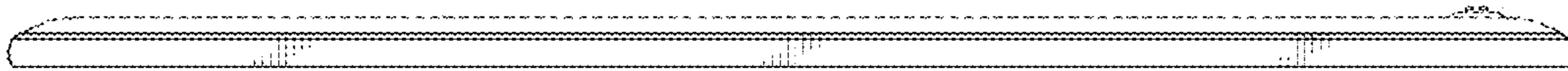
**FIG. 4**



**FIG. 5**



**FIG. 6**



**FIG. 7**

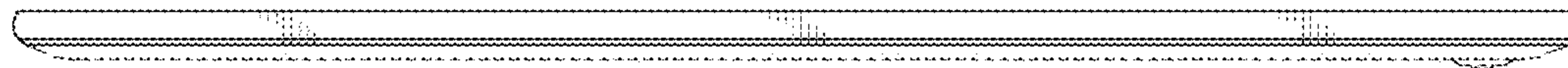


FIG. 8

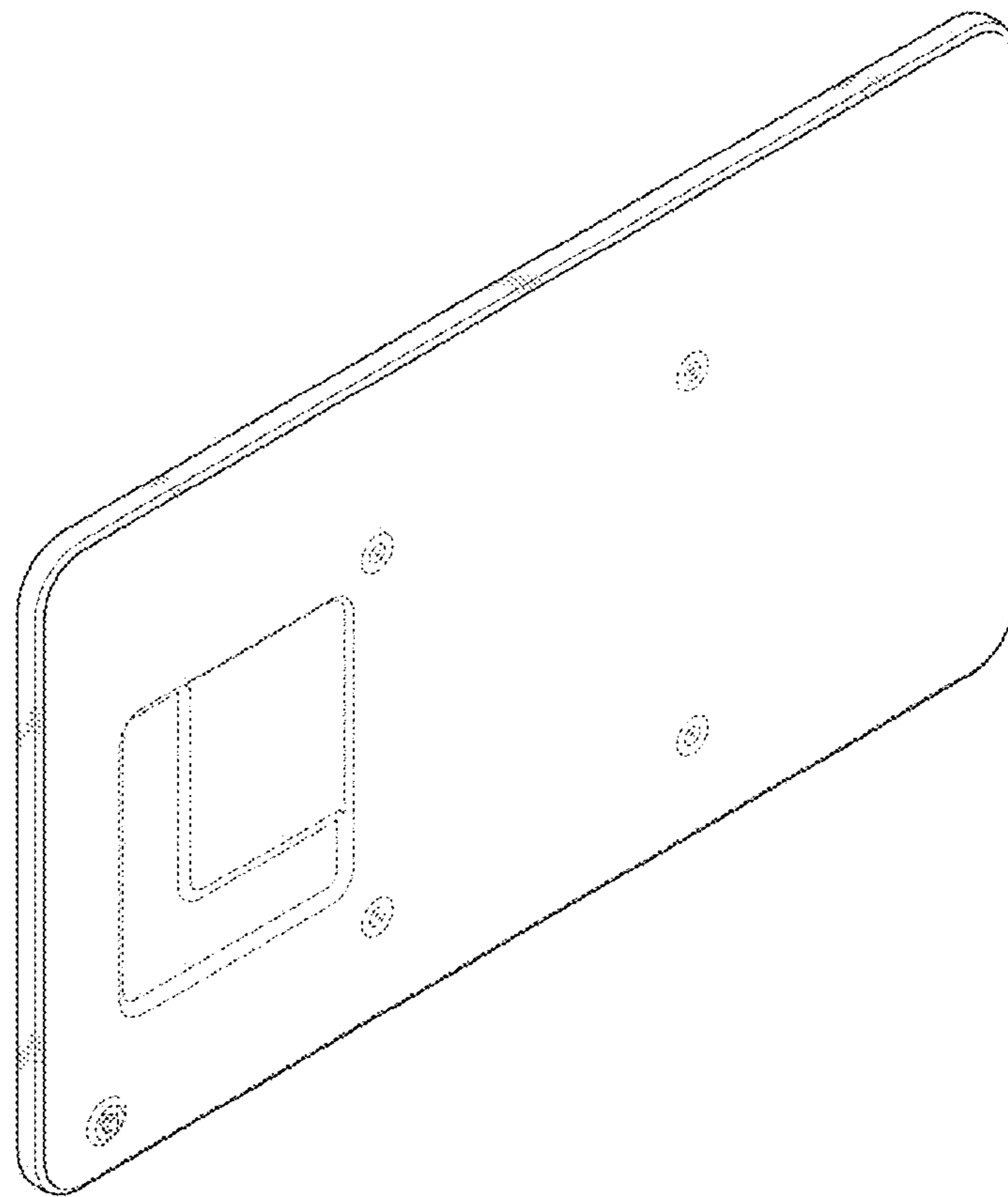




FIG. 9

