



US00D730893S

(12) **United States Design Patent**
Yin et al.

(10) **Patent No.:** **US D730,893 S**
(45) **Date of Patent:** **** Jun. 2, 2015**

(54) **WIRELESS DEVICE**

(71) Applicant: **SEAGATE TECHNOLOGY LLC**,
Cupertino, CA (US)

(72) Inventors: **Philip Yin**, Fremont, CA (US); **Ash Razdan**, San Jose, CA (US); **Jeffery Griffiths**, Dublin, CA (US)

(73) Assignee: **SEAGATE TECHNOLOGY LLC**,
Cupertino, CA (US)

(**) Term: **14 Years**

(21) Appl. No.: **29/461,207**

(22) Filed: **Jul. 19, 2013**

(51) **LOC (10) Cl.** **14-02**

(52) **U.S. Cl.**
USPC **D14/358**; D14/240

(58) **Field of Classification Search**
USPC D14/300–302, 314, 348–370, 383–385,
D14/435, 496, 125, 135, 155, 240–242,
D14/299; D3/273; D9/432; D10/65, 75, 78;
D13/103, 119, 162, 184, 199

CPC H04L 12/00; H03K 17/00; H04W 88/00;
H04W 88/005; H04W 88/02; H04W 88/08;
H04W 88/085; H04W 88/10; H04W 88/12;
H04W 88/14; H04B 1/38

See application file for complete search history.

(56) **References Cited**

U.S. PATENT DOCUMENTS

D493,169 S * 7/2004 Cheng D14/357
D537,445 S * 2/2007 Bousfield D14/383
D548,731 S * 8/2007 Liu et al. D14/240
D577,020 S * 9/2008 Park D14/363
D604,725 S * 11/2009 Chen D14/240
D620,485 S * 7/2010 Corrigan et al. D14/240

D630,632 S * 1/2011 Puls et al. D14/356
D641,023 S * 7/2011 Chen et al. D14/433
D642,173 S * 7/2011 Lee et al. D14/365
D648,293 S * 11/2011 Kim et al. D14/125
D654,445 S * 2/2012 Daniel D14/125
D672,780 S * 12/2012 Chen et al. D14/433

OTHER PUBLICATIONS

L300 Ethernet Virtual Desktop, [online], [retrieved on Sep. 30, 2010]. Retrieved from the Internet <URL: <http://www.ncomputing.com/products-overview>>.*
LaCie Fuel, Sphere, and Little Big Disk Thunderbolt 2 Announced at CES 2014 | StorageReview.com—Storage Reviews, [online] Jan. 6, 2014 [retrieved on Apr. 3, 2014]. Retrieved from the Internet <URL: http://www.storagereview.com/lacie_fuel_sphere_and_little_big_disk_thunderbolt_2_announced_at_ces_2014>.*

* cited by examiner

Primary Examiner — Karen E Kearney

(74) *Attorney, Agent, or Firm* — Mueting, Raasch & Gebhardt, P.A.

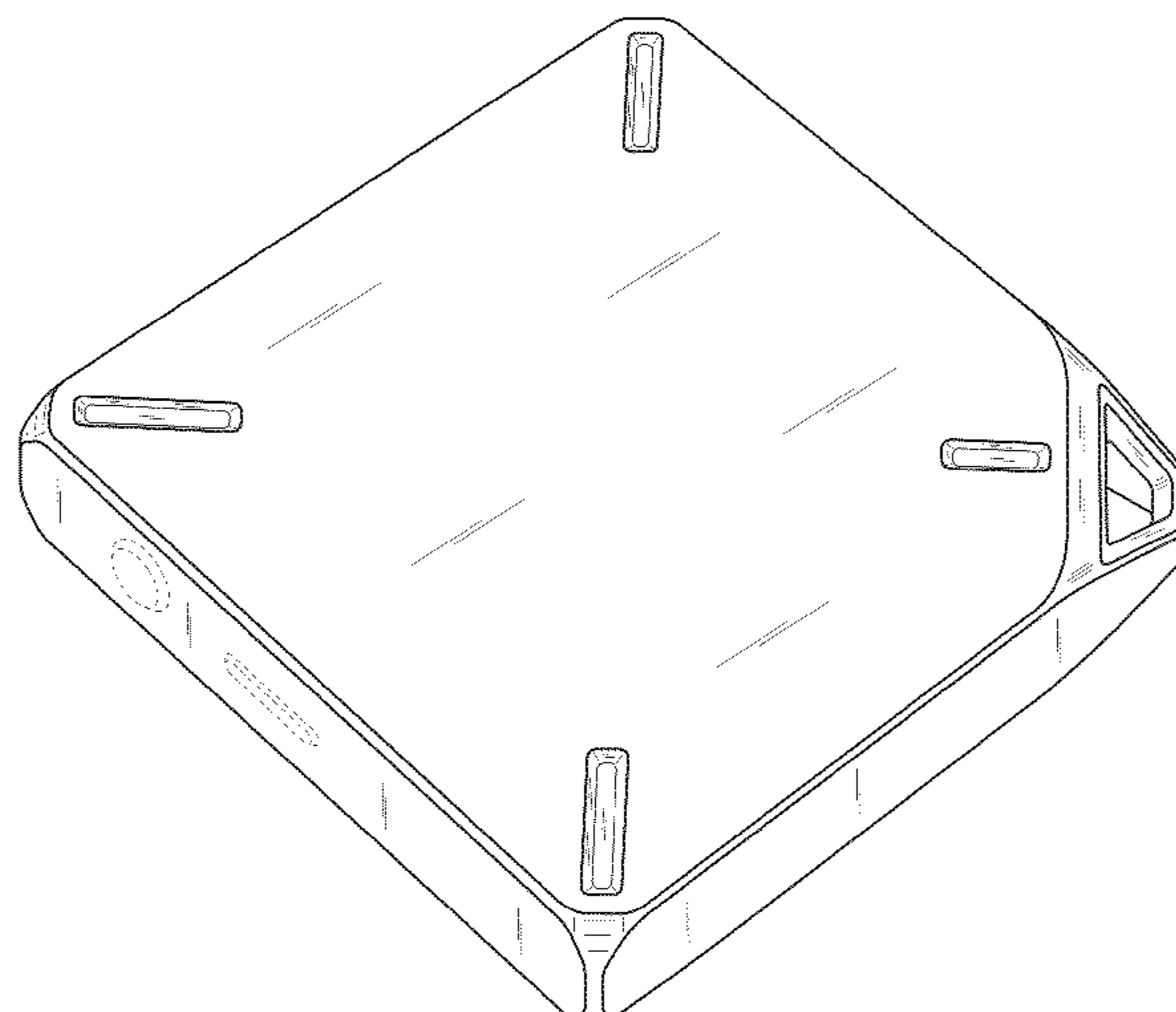
(57) **CLAIM**

The ornamental design for a wireless device, as shown and described.

DESCRIPTION

FIG. 1 is a perspective view of a wireless device showing my new design;
FIG. 2 is a top view thereof;
FIG. 3 is a bottom view thereof;
FIG. 4 is a rear view thereof;
FIG. 5 is a front view thereof;
FIG. 6 is a left side view thereof; and,
FIG. 7 is a right side view thereof.
The broken lines represent the bounds of the claimed design and form no part of the claimed design.

1 Claim, 5 Drawing Sheets



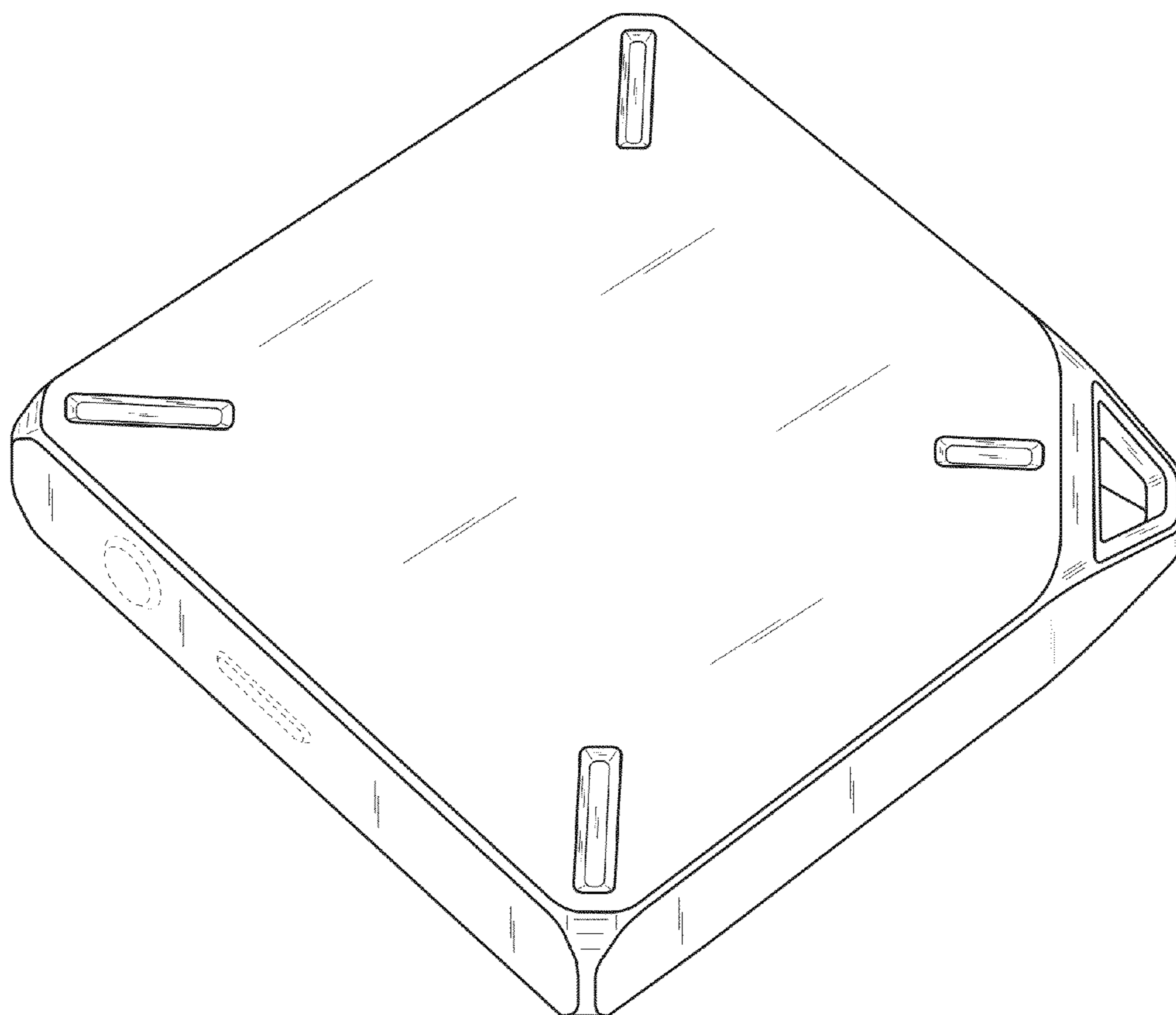


Fig. 1

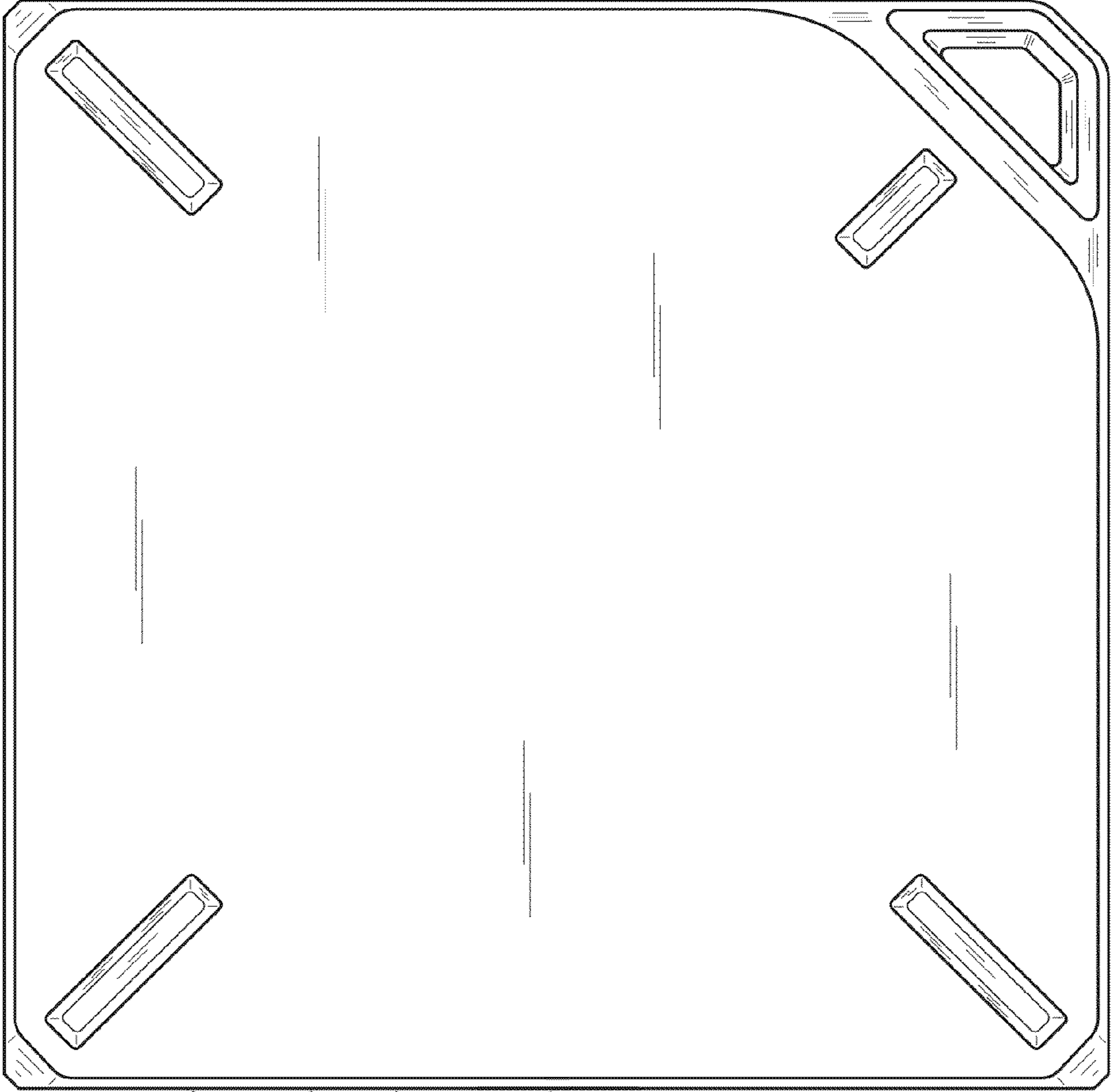


Fig. 2

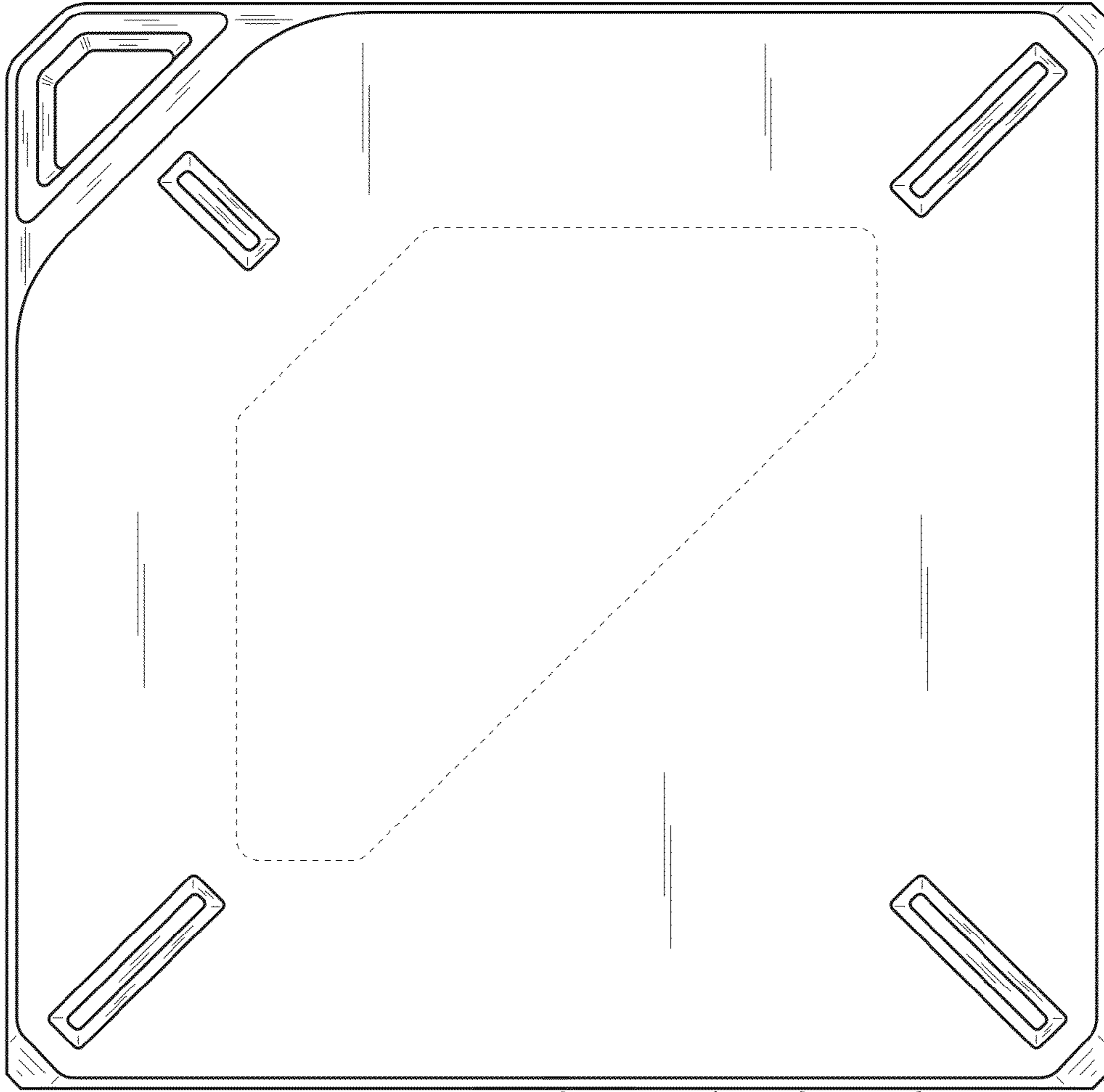


Fig. 3

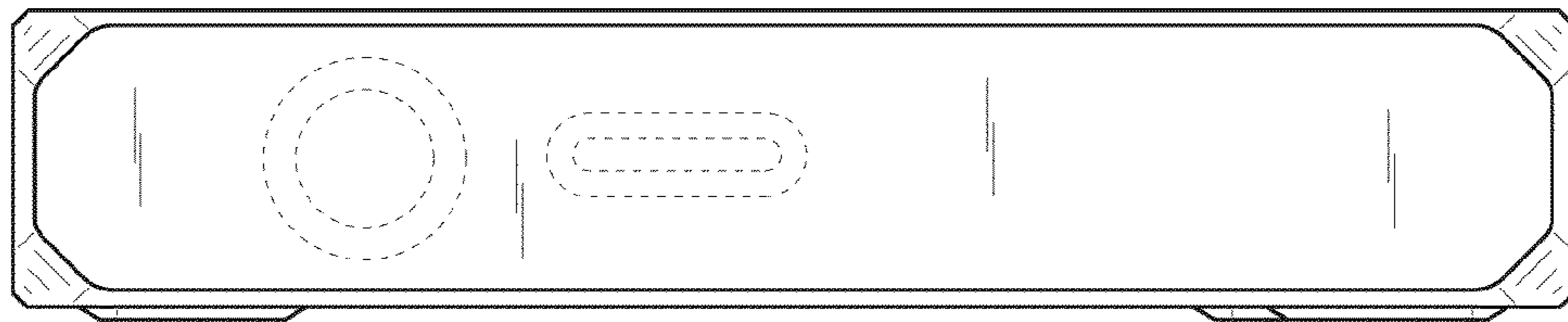


Fig. 4

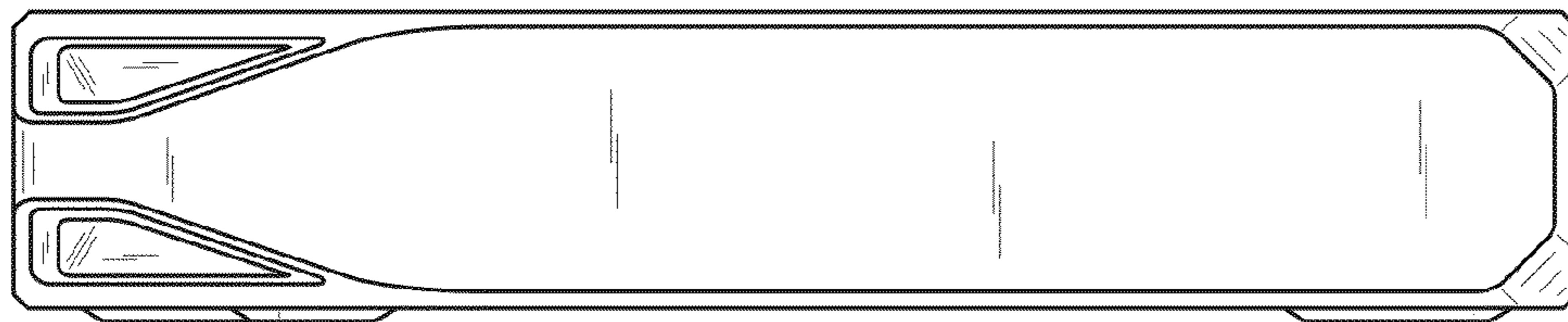


Fig. 5

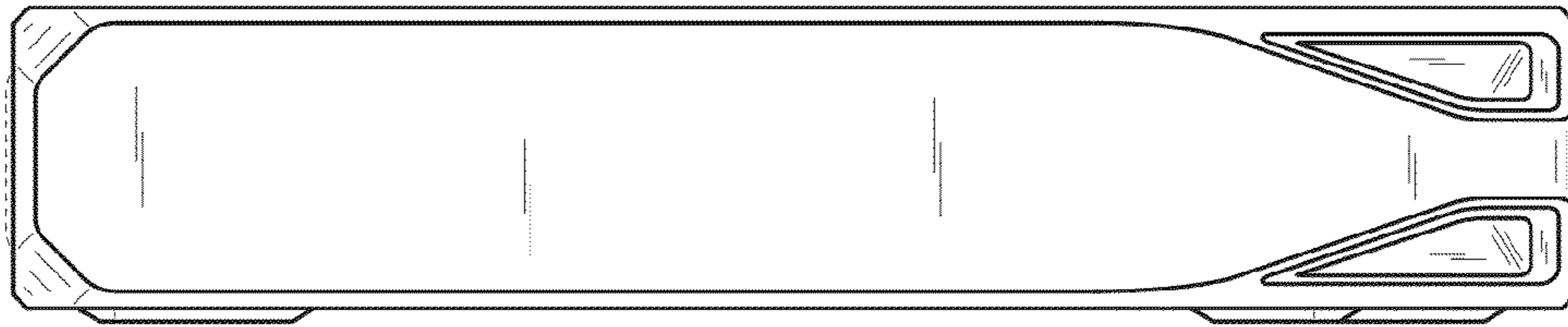


Fig. 6

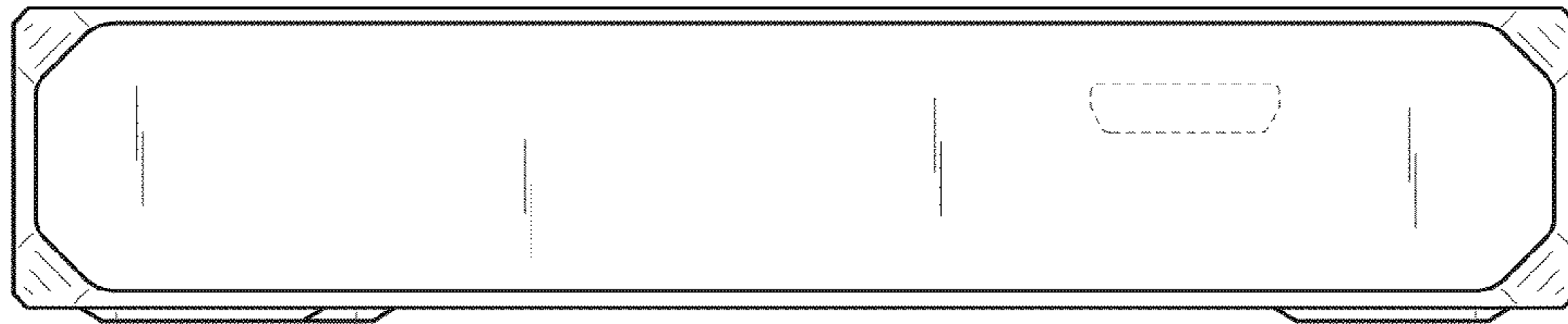


Fig. 7