



US00D730887S

(12) **United States Design Patent**
Lindemann

(10) **Patent No.:** **US D730,887 S**

(45) **Date of Patent:** **** Jun. 2, 2015**

(54) **ENCLOSURE FOR CAMERA-EQUIPPED SMARTPHONE**

D669,065 S * 10/2012 Fromm D14/253
D715,791 S * 10/2014 Yu D14/253
D720,344 S * 12/2014 Yu D14/253

(71) Applicant: **Robert A. Lindemann**, Green Oaks, IL (US)

* cited by examiner

(72) Inventor: **Robert A. Lindemann**, Green Oaks, IL (US)

Primary Examiner — Susan Bennett Hattan

Assistant Examiner — Leanne Was

(73) Assignee: **LINDEMANN CHIMNEY CO.**, Lake Bluff, IL (US)

(74) *Attorney, Agent, or Firm* — Marshall, Gerstein & Borun LLP

(**) Term: **14 Years**

(57) **CLAIM**

The ornamental design for an enclosure for camera-equipped smartphone, as shown and described.

(21) Appl. No.: **29/449,376**

DESCRIPTION

(22) Filed: **Mar. 15, 2013**

(51) **LOC (10) Cl.** **14-03**

(52) **U.S. Cl.**
USPC **D14/253**

(58) **Field of Classification Search**
USPC D3/218; D13/133; D14/140, 140.6, D14/144, 240, 251, 252, 253, 256; D16/242, 243, 244, 245; 379/433.05, 379/437, 438, 440, 447, 450, 454, 455; 455/90.3, 95
See application file for complete search history.

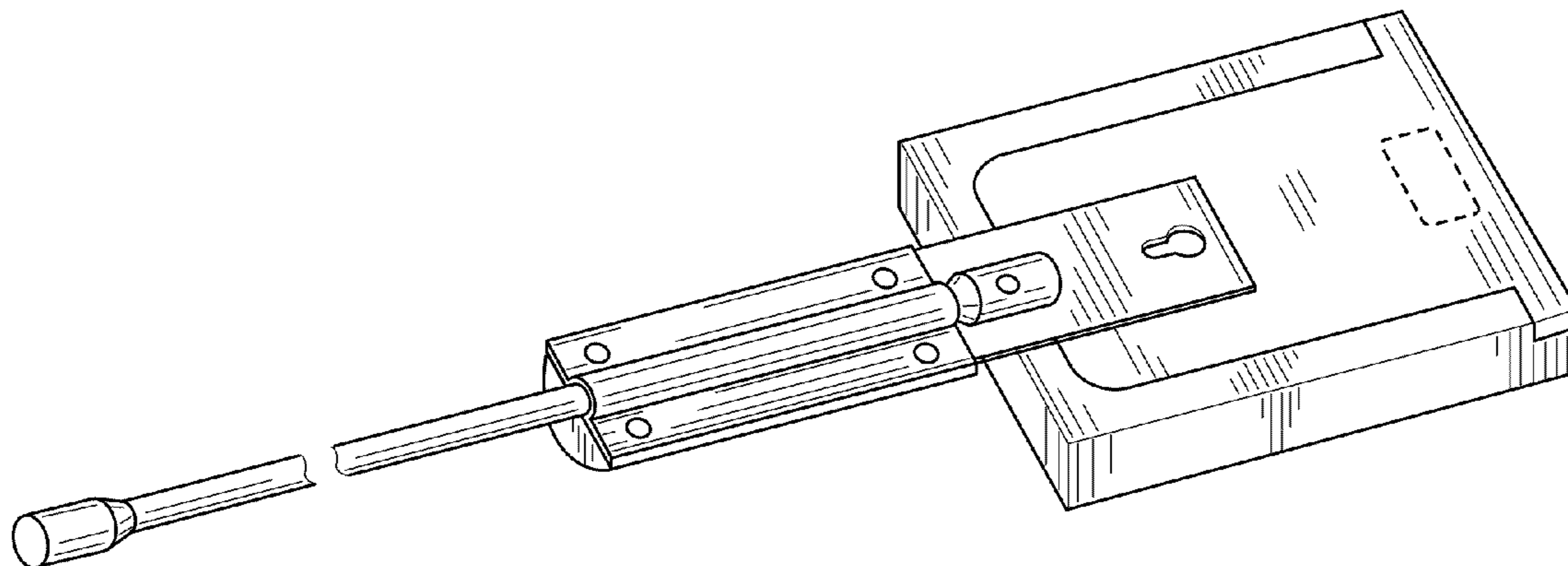
FIG. 1 is a side view showing my new design for an enclosure for camera-equipped smartphone;
FIG. 2 is a rear view of the enclosure for camera-equipped smartphone of FIG. 1;
FIG. 3 is a front view of the enclosure for camera-equipped smartphone of FIG. 1;
FIG. 4 is a top view of the enclosure for camera-equipped smartphone of FIG. 1;
FIG. 5 is a bottom view of the enclosure for camera-equipped smartphone of FIG. 1; and,
FIG. 6 is a perspective view of the enclosure for camera-equipped smartphone of FIG. 1.
The broken lines depict portions of the enclosure for camera-equipped smartphone that form no part of the claimed design. The portions between the break lines form no part of the claimed design.

(56) **References Cited**

U.S. PATENT DOCUMENTS

D385,283 S * 10/1997 Snyder et al. D14/253
D415,771 S * 10/1999 Richter D14/253
6,009,168 A * 12/1999 Snyder et al. 379/446
D475,013 S * 5/2003 Grimm D13/133

1 Claim, 2 Drawing Sheets



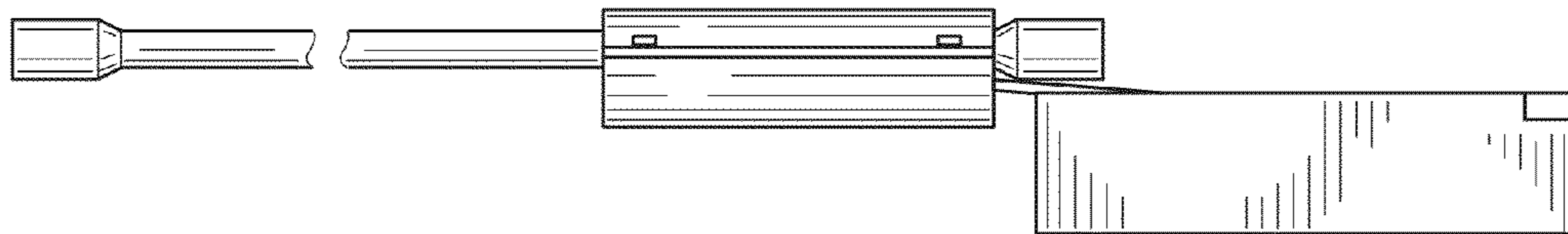


FIG. 1

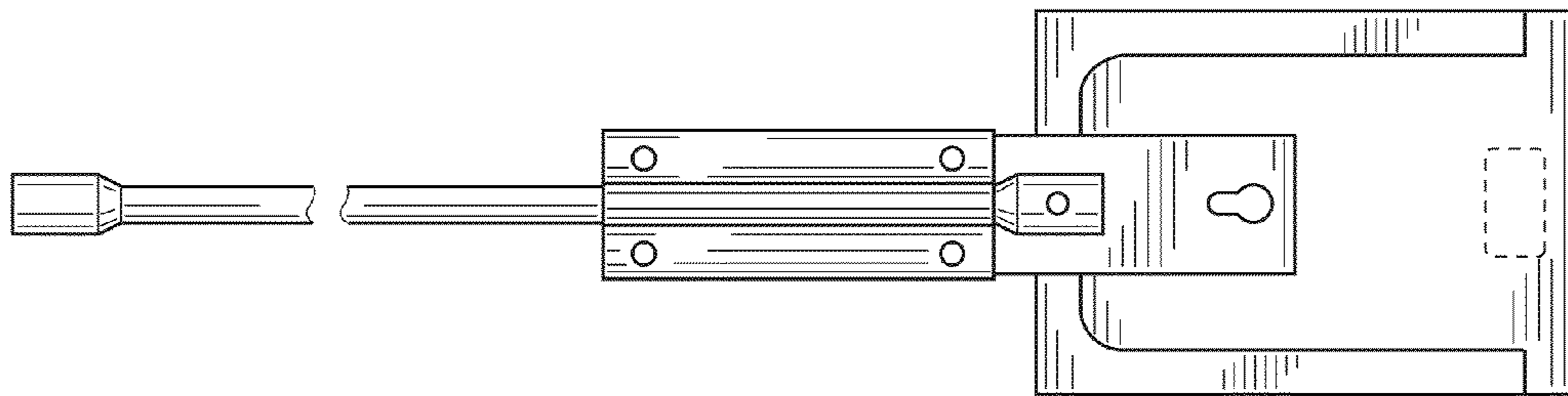


FIG. 2

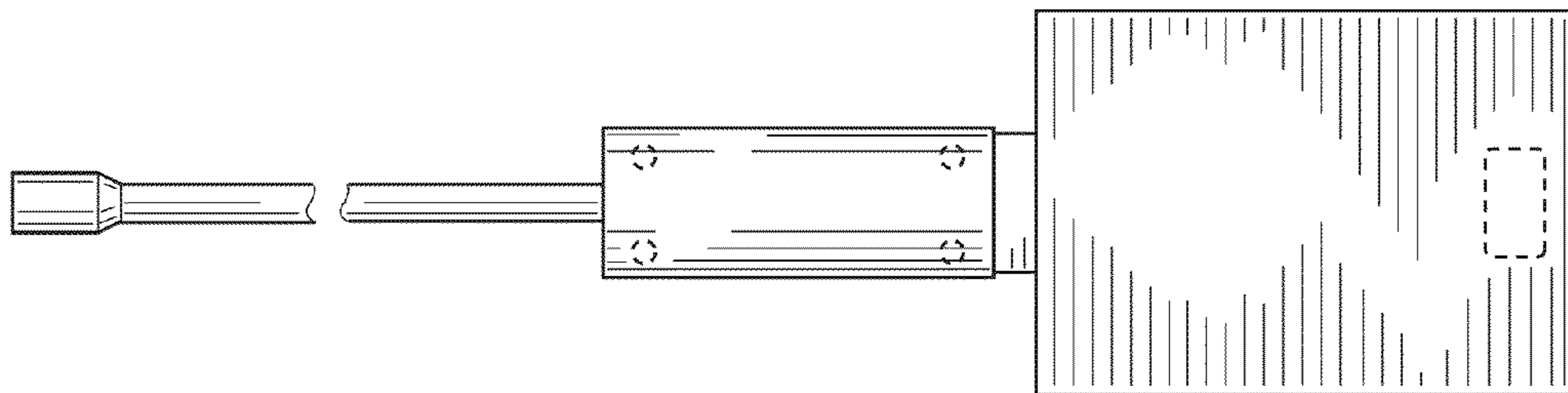


FIG. 3

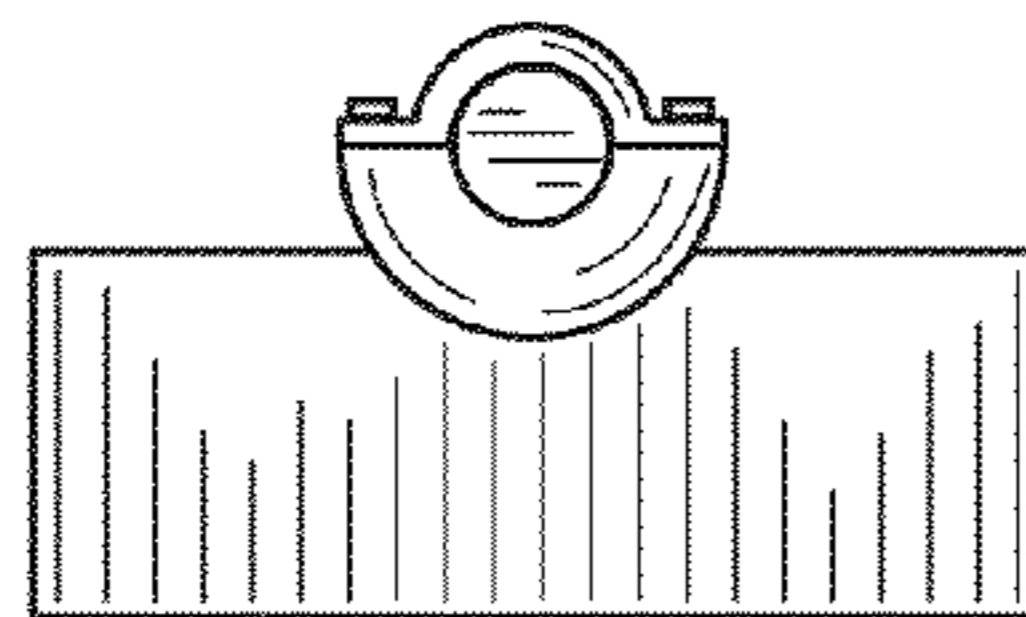


FIG. 4

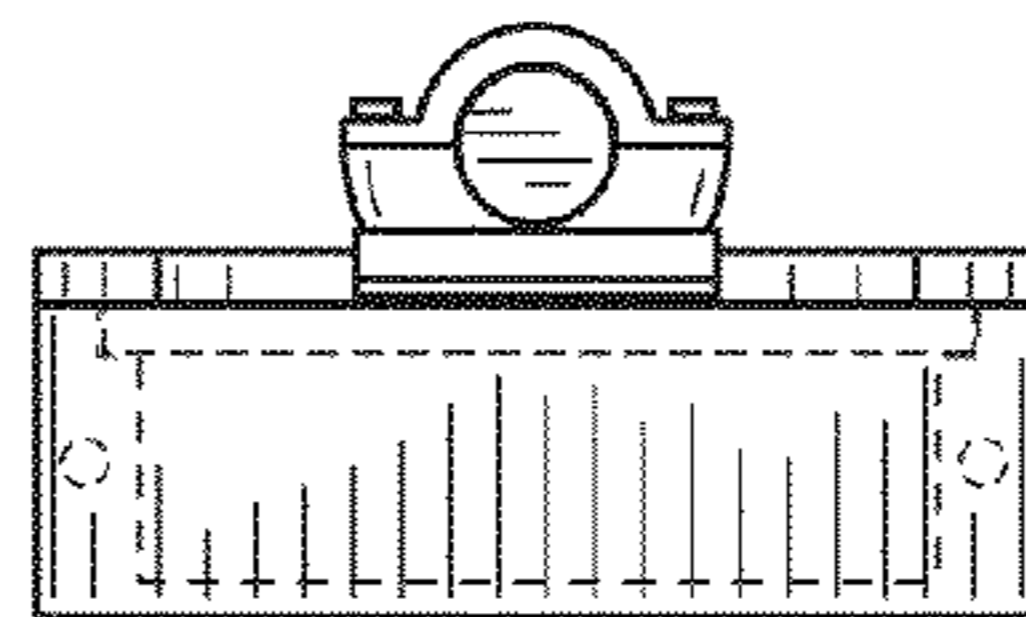


FIG. 5

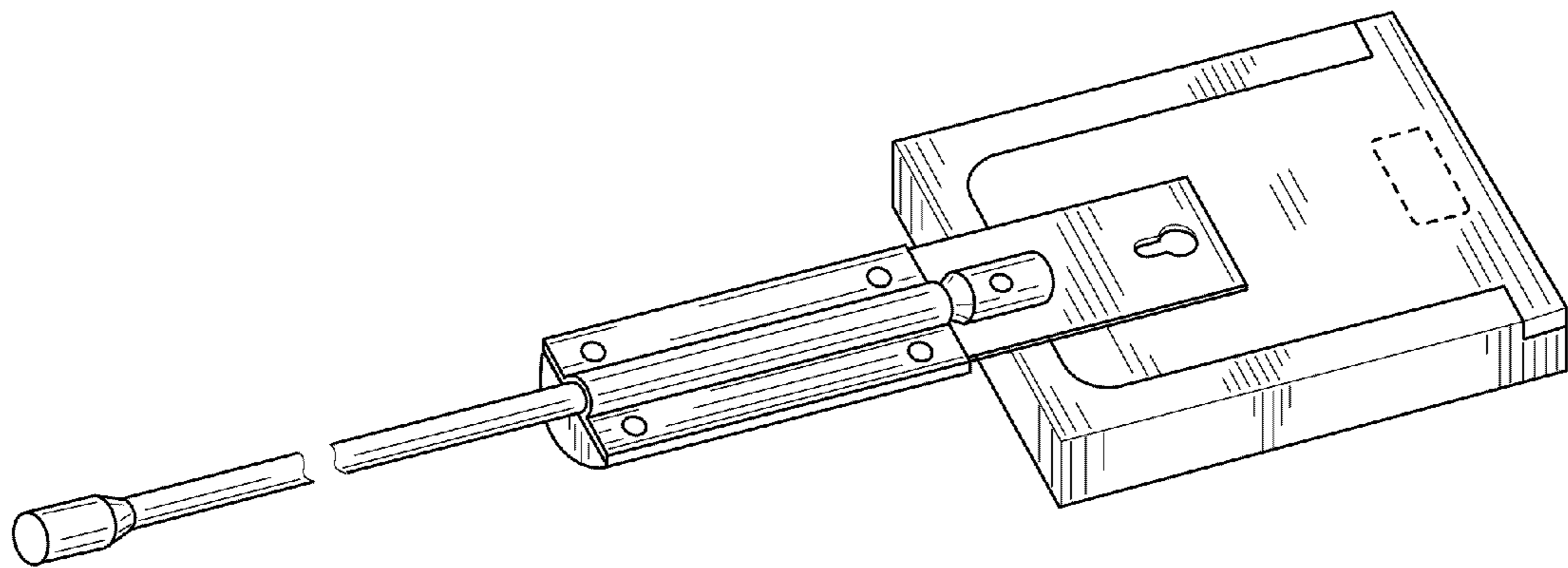


FIG. 6