



US00D730886S

(12) **United States Design Patent**
Tseng

(10) **Patent No.:** **US D730,886 S**
(45) **Date of Patent:** **** Jun. 2, 2015**

(54) **PROTECTING ENCLOSURE FOR PORTABLE ELECTRONIC DEVICE**

(71) Applicant: **FIH (Hong Kong) Limited**, Kowloon (HK)

(72) Inventor: **Chien-Feng Tseng**, New Taipei (TW)

(73) Assignee: **FIH (Hong Kong) Limited**, Kowloon (HK)

(**) Term: **14 Years**

(21) Appl. No.: **29/465,649**

(22) Filed: **Aug. 30, 2013**

(30) **Foreign Application Priority Data**

Aug. 2, 2013 (TW) 102305258

(51) **LOC (10) Cl.** **14-03**

(52) **U.S. Cl.**
USPC **D14/251; D9/432**

(58) **Field of Classification Search**
USPC D3/201, 218, 267, 273, 294; D9/414, D9/420, 421, 426, 432; D14/240, 251, D14/252, 253; 248/176.1; 348/373, 375, 348/376; 455/575.1, 575.3, 575.8
See application file for complete search history.

(56) **References Cited**

U.S. PATENT DOCUMENTS

D25,437 S *	4/1896	Hurd	D9/414
D209,336 S *	11/1967	Dykes	D9/414
D209,337 S *	11/1967	Dykes	D9/414
D320,556 S *	10/1991	Fairhurst	D9/414
D350,692 S *	9/1994	Seki	D9/636
D405,007 S *	2/1999	Naas, Sr.	D9/414
D407,308 S *	3/1999	Driscoll	D9/432
D419,440 S *	1/2000	Hansen	D9/416
D432,912 S *	10/2000	Lubineau-Bigot et al.	D9/416

(Continued)

FOREIGN PATENT DOCUMENTS

KR 300677057.0000 * 1/2013

OTHER PUBLICATIONS

<http://blog.igendesign.co/2009/09/03/igenworks-nescafe-package-design-competition-1st-place/> Posted Sep. 3, 2009.*

Primary Examiner — Susan Bennett Hattan

Assistant Examiner — Leanne Was

(74) *Attorney, Agent, or Firm* — Novak Druce Connolly Bove + Quigg LLP

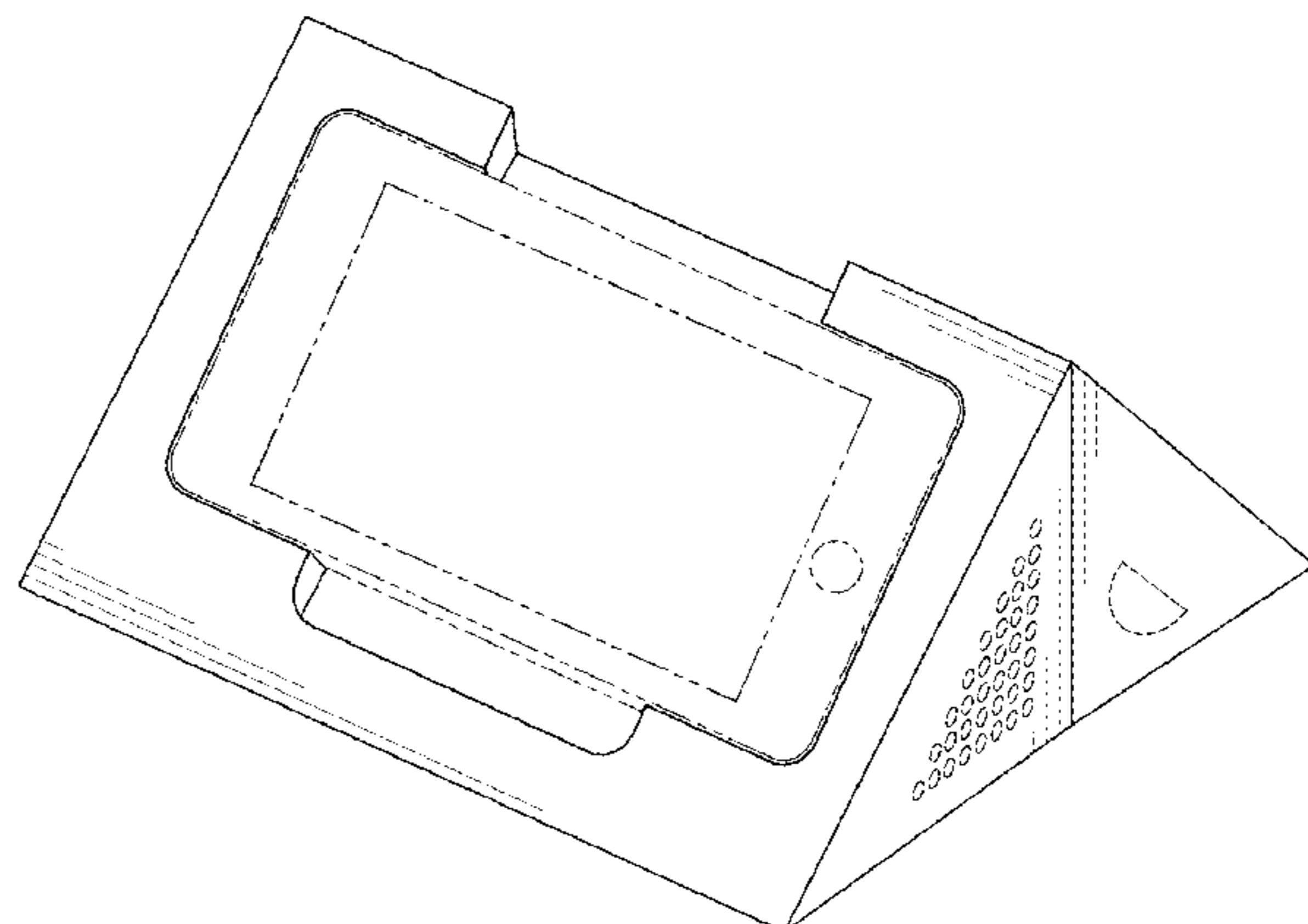
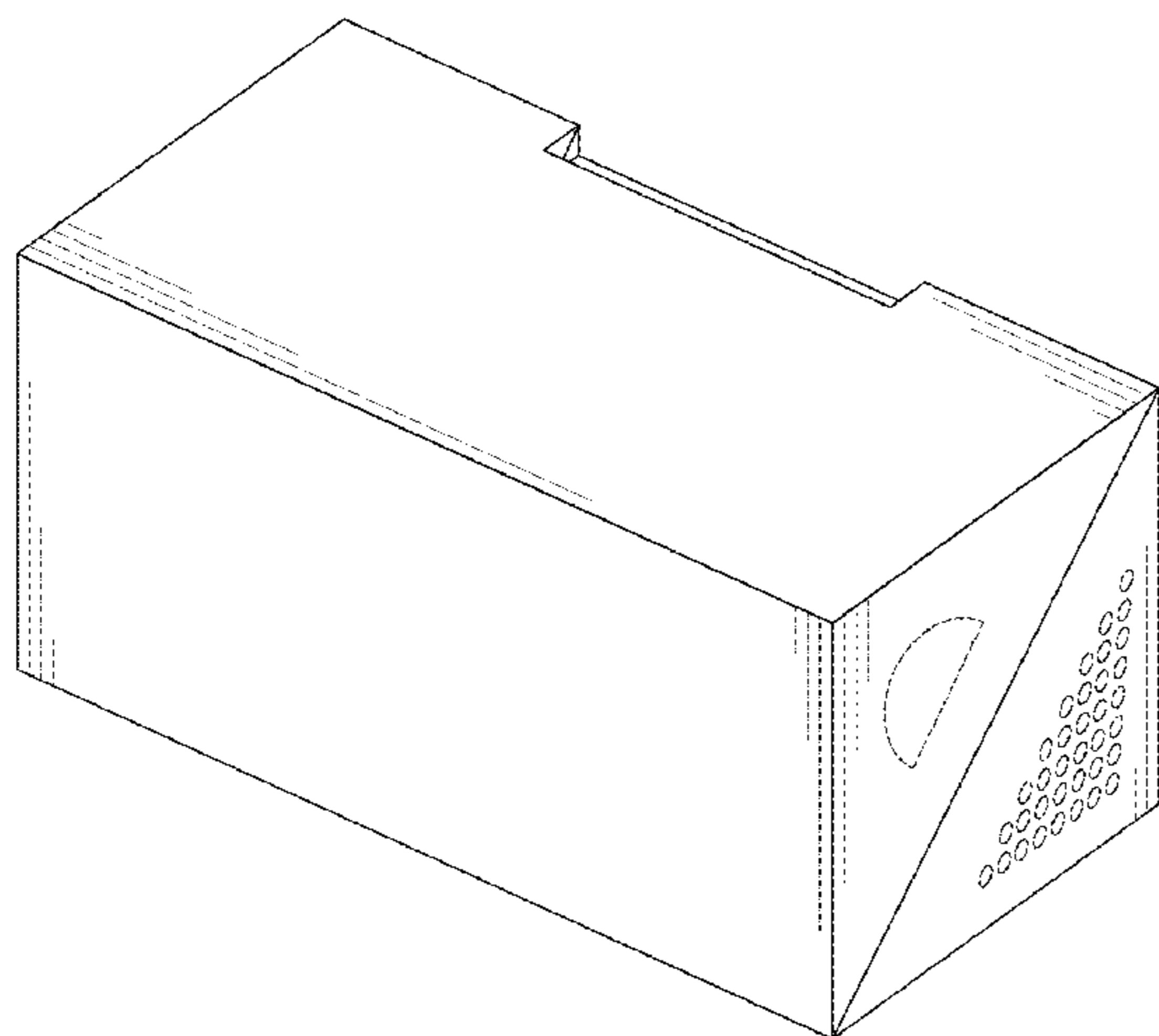
(57) **CLAIM**

The ornamental design for a protecting enclosure for portable electronic device, as shown and described.

DESCRIPTION

FIG. 1 is a perspective view of a protecting enclosure for portable electronic device showing my new design; FIG. 2 is a front elevational view thereof; FIG. 3 is a rear elevational view thereof; FIG. 4 is a left side elevational view thereof; FIG. 5 is a right side elevational view thereof; FIG. 6 is a top plan view thereof; FIG. 7 is a bottom plan view thereof; FIG. 8 is a perspective view of the protecting enclosure in a folded state; FIG. 9 is a front elevational view of FIG. 7; FIG. 10 is a rear elevational view of FIG. 7; FIG. 11 is a left side elevational view of FIG. 7; FIG. 12 is a right side elevational view of FIG. 7; FIG. 13 is a top plan view of FIG. 7; FIG. 14 is a bottom plan view of FIG. 7; and, FIG. 15 and FIG. 16 are perspective views of FIG. 7 showing an alternative environment in broken line. The broken lines illustrate non-claimed subject matter and form no part of the claimed design.

1 Claim, 16 Drawing Sheets



(56)

References Cited

U.S. PATENT DOCUMENTS

D433,630 S * 11/2000 Lubineau-Bigot et al. D9/416
D548,592 S * 8/2007 Kudo et al. D9/432
D701,757 S * 4/2014 Andre et al. D9/432

D704,545 S * 5/2014 Darmon D9/414
D715,284 S * 10/2014 Iwamoto D14/253
D719,018 S * 12/2014 Levy et al. D9/432
2014/0361130 A1* 12/2014 Fenton 248/176.1

* cited by examiner

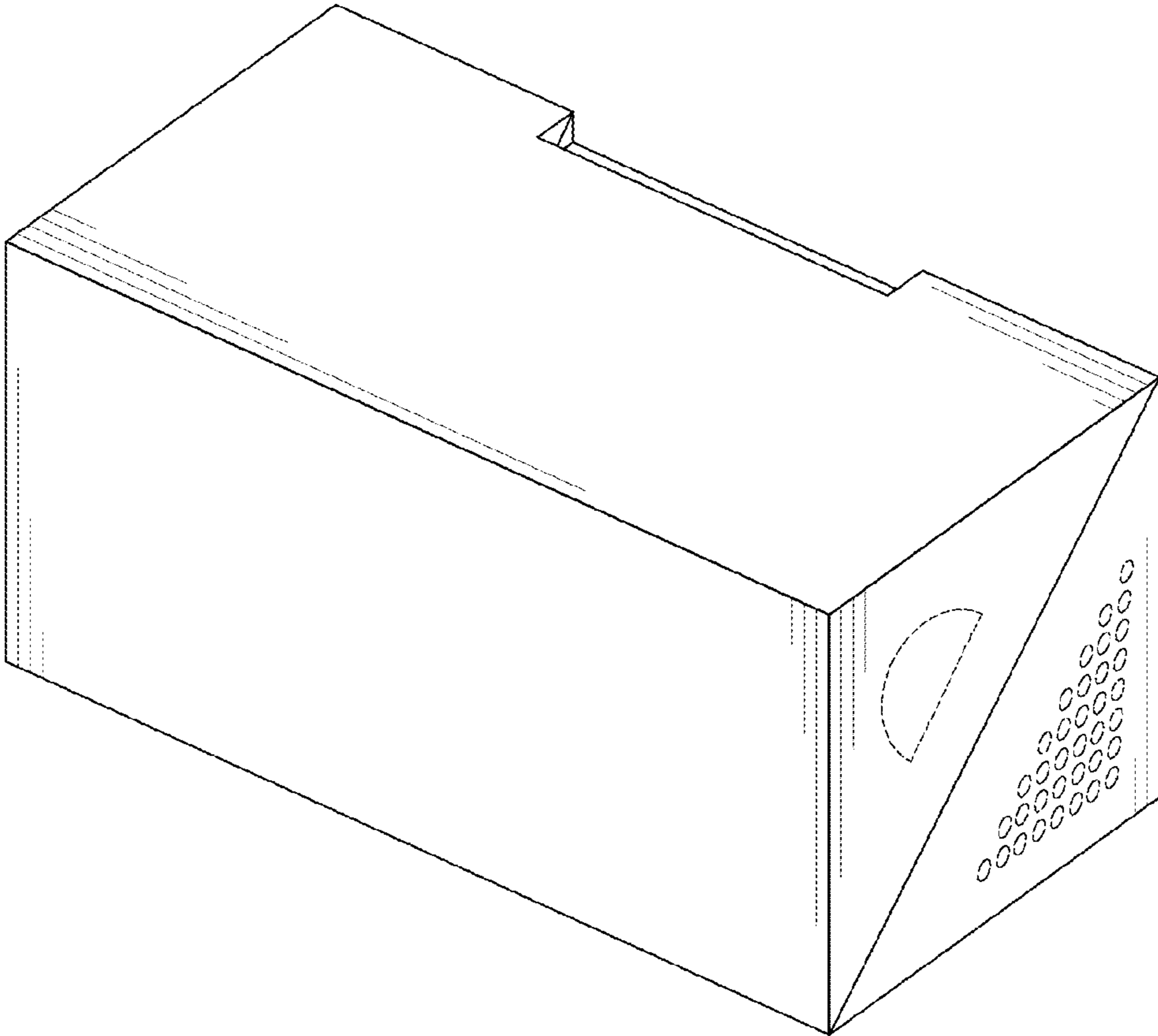


FIG. 1

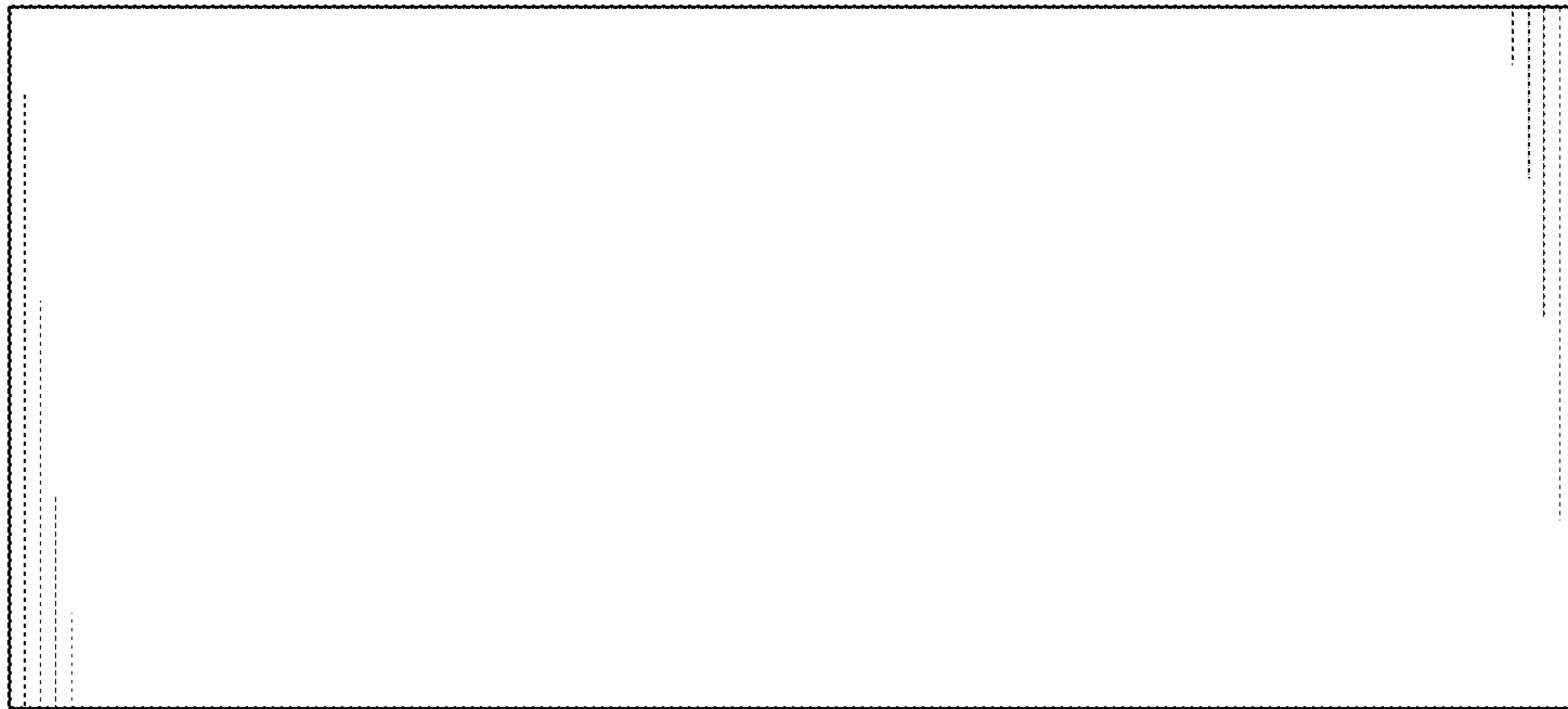


FIG. 2

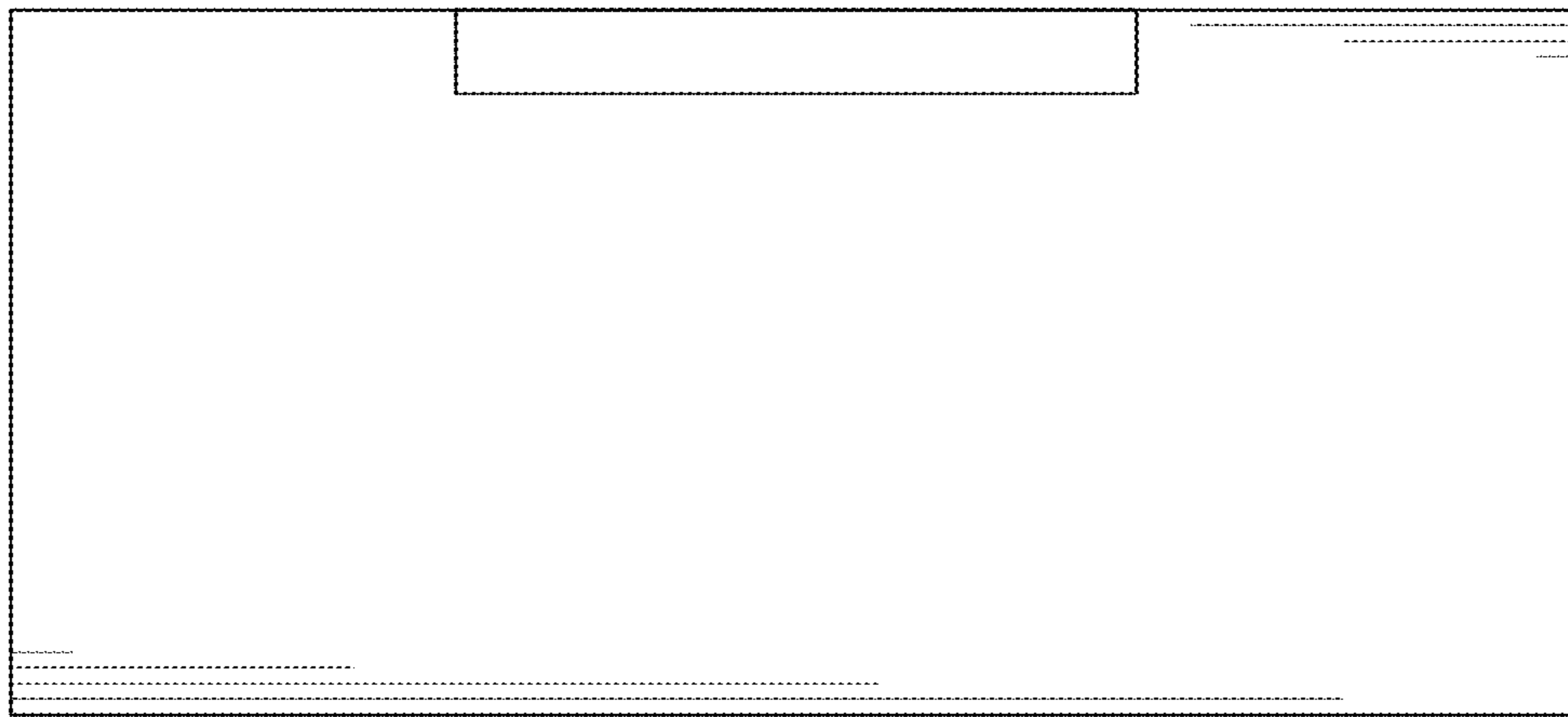


FIG. 3

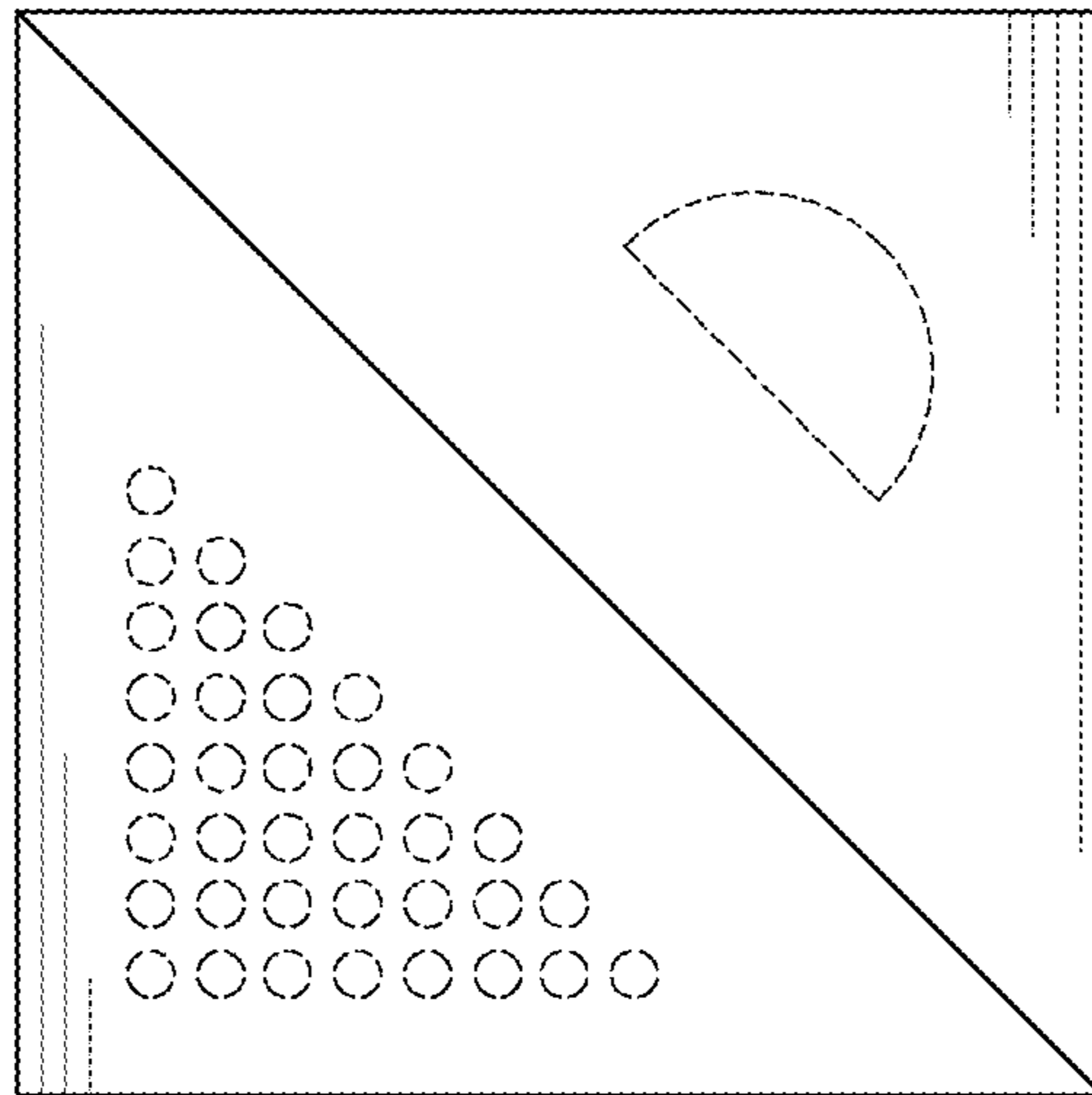


FIG. 4

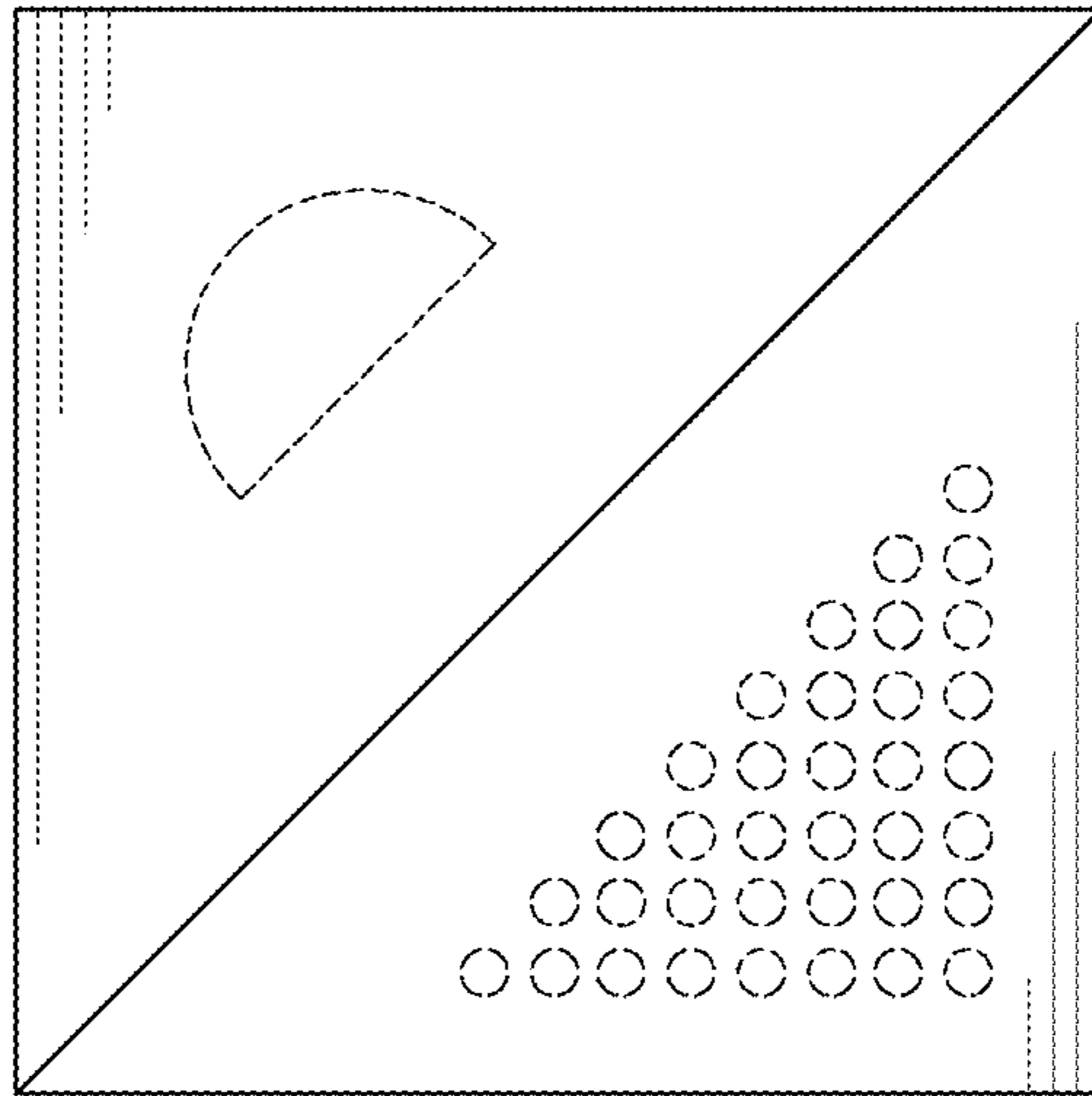


FIG. 5

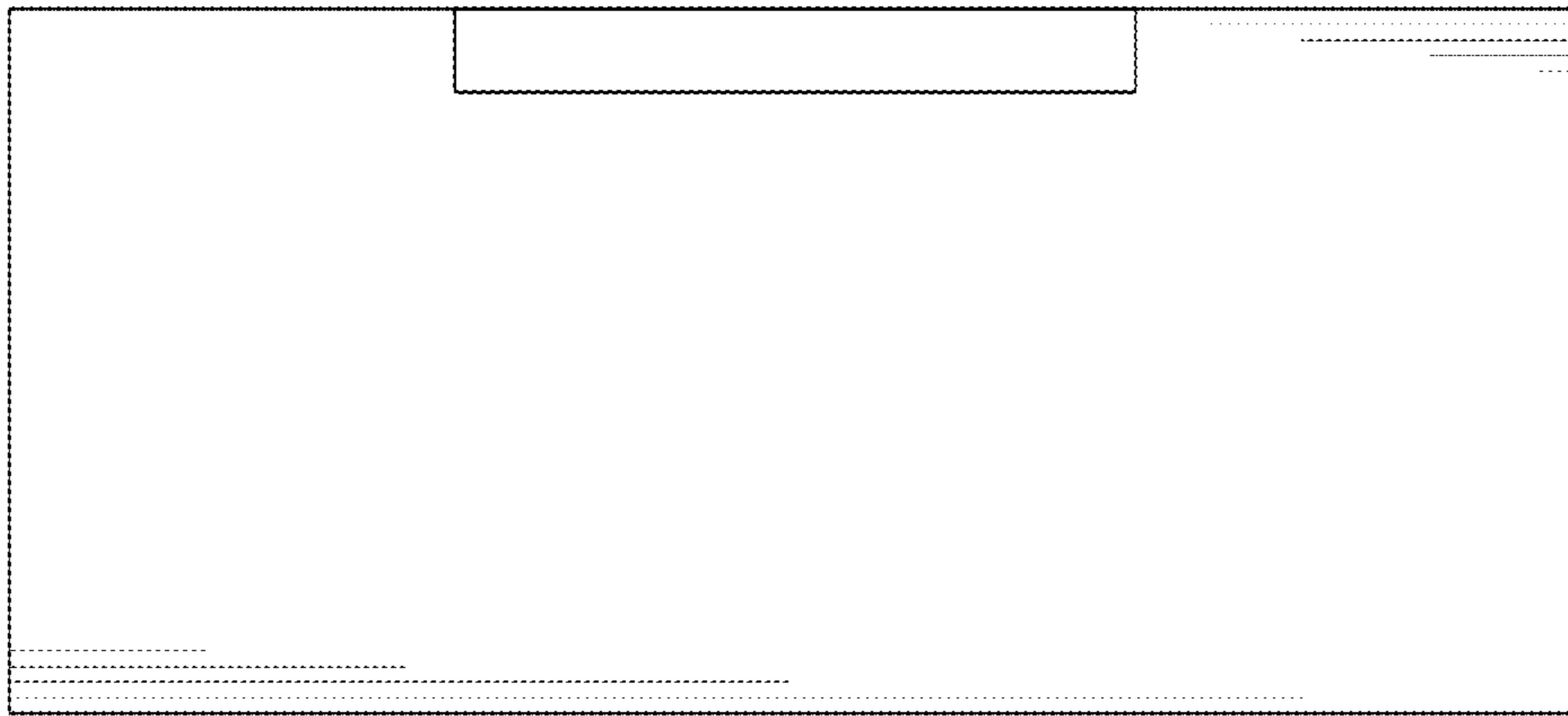


FIG. 6

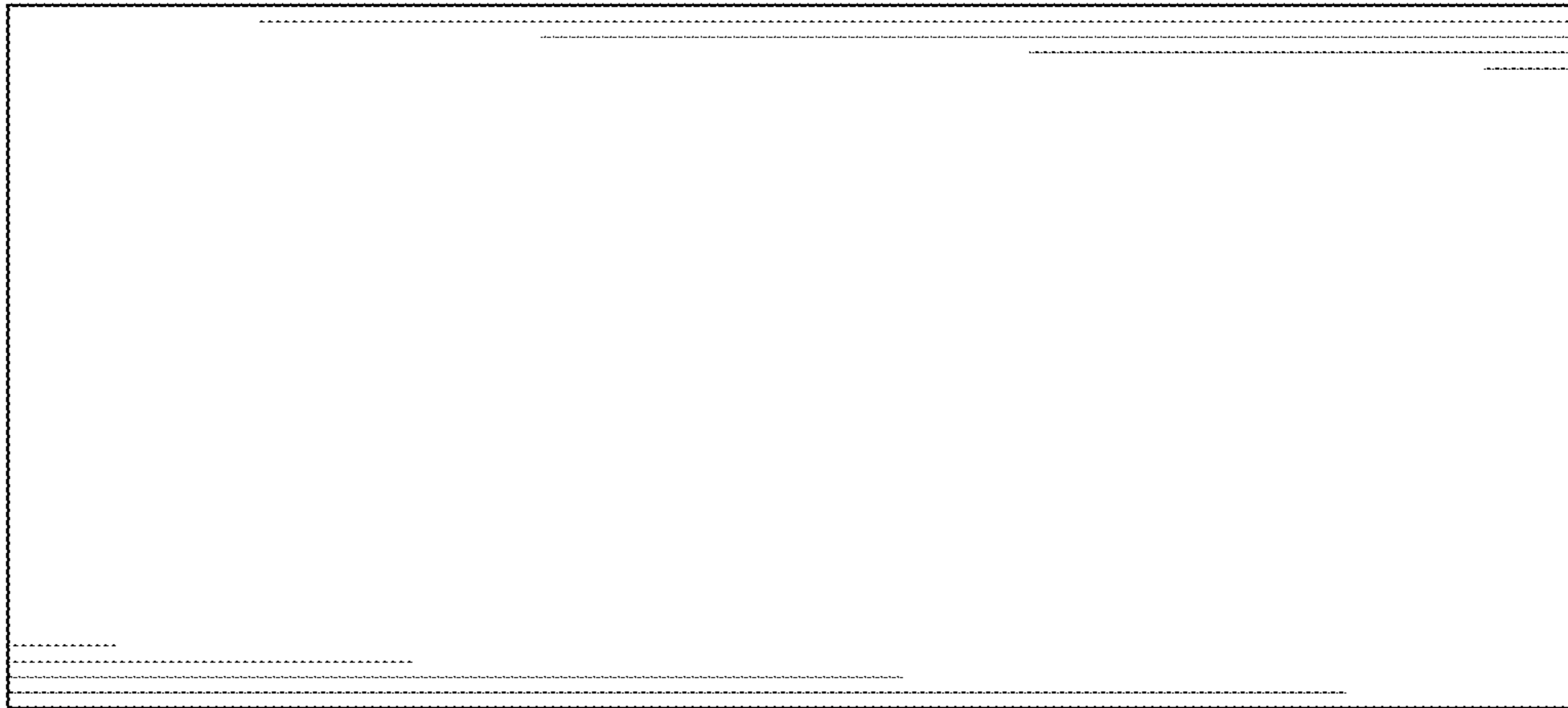


FIG. 7

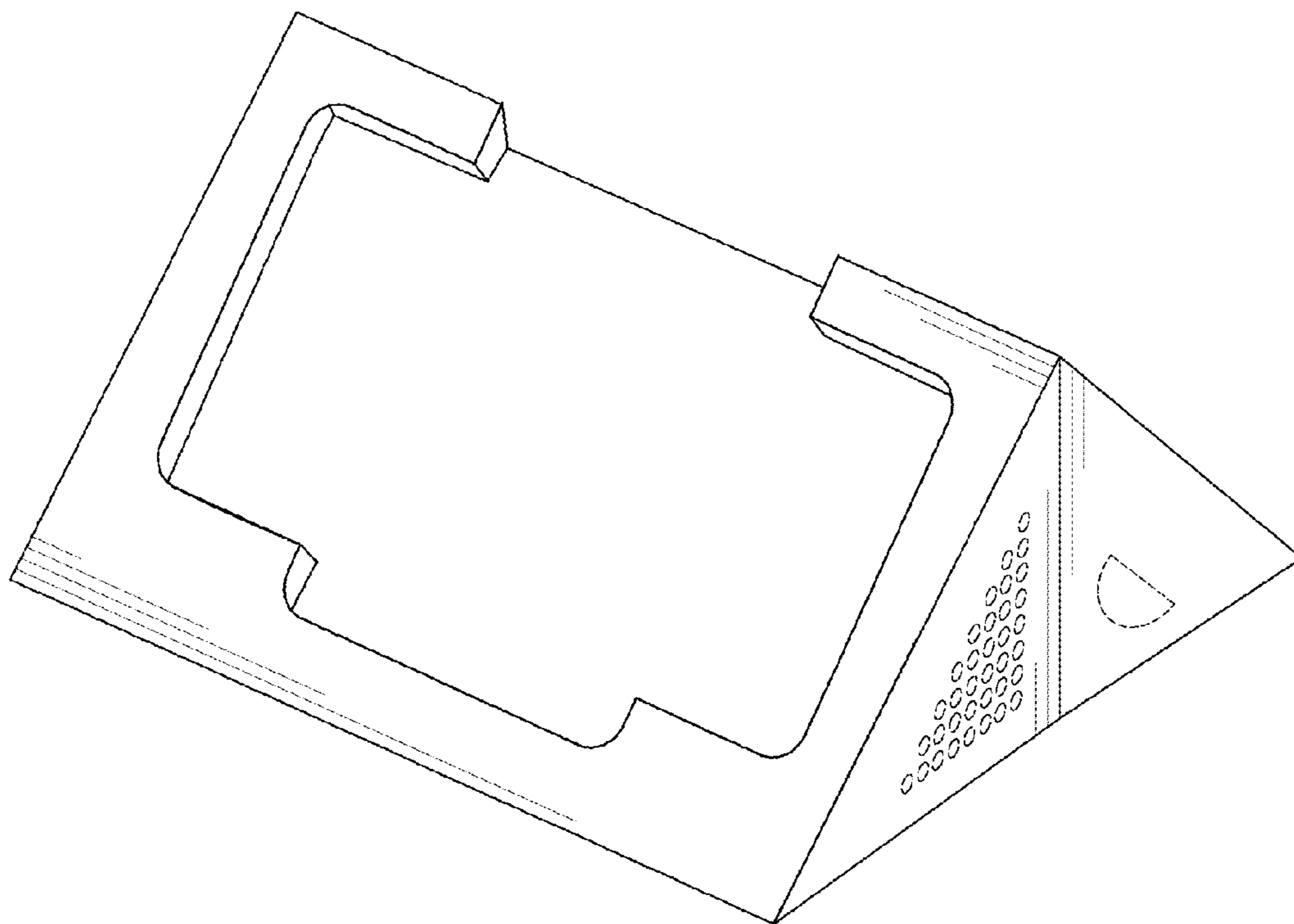


FIG. 8

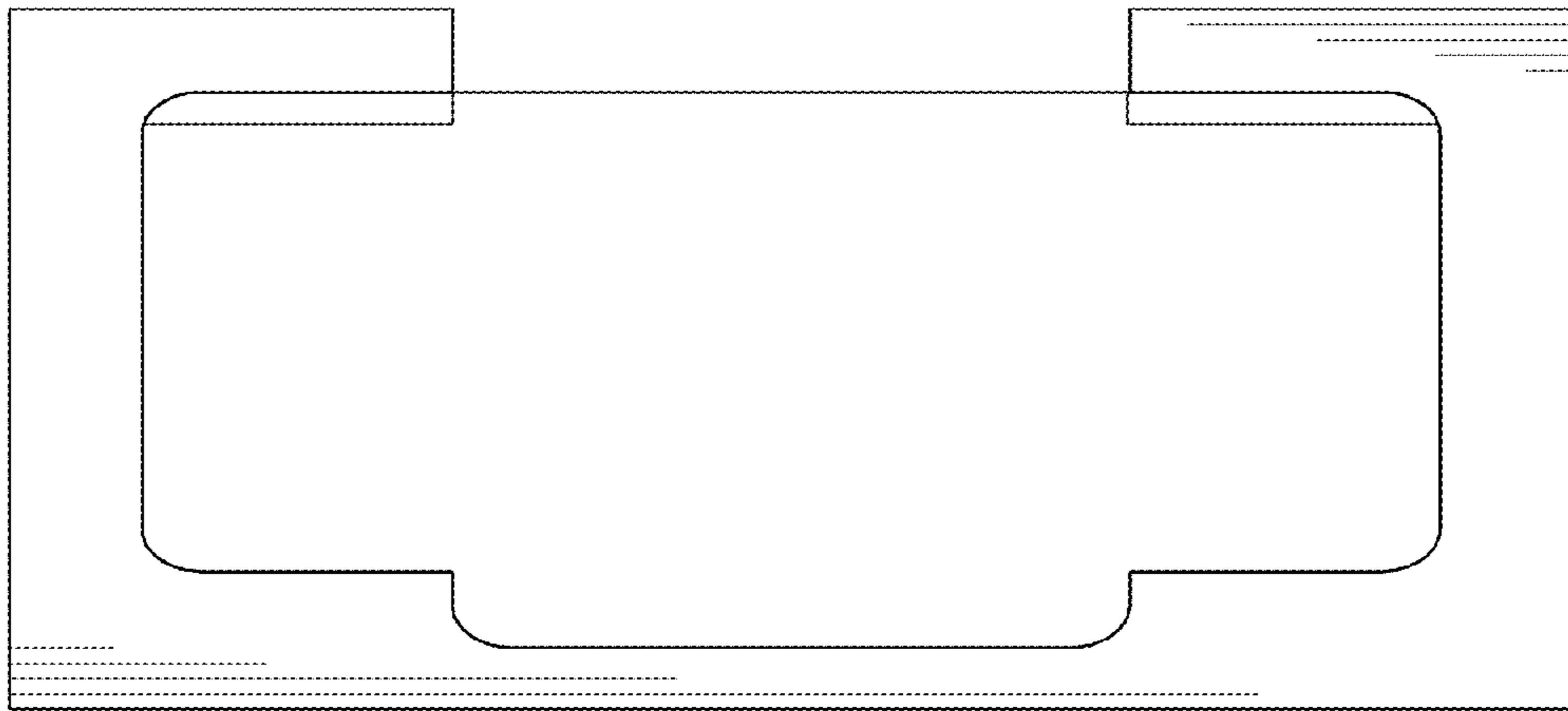


FIG. 9

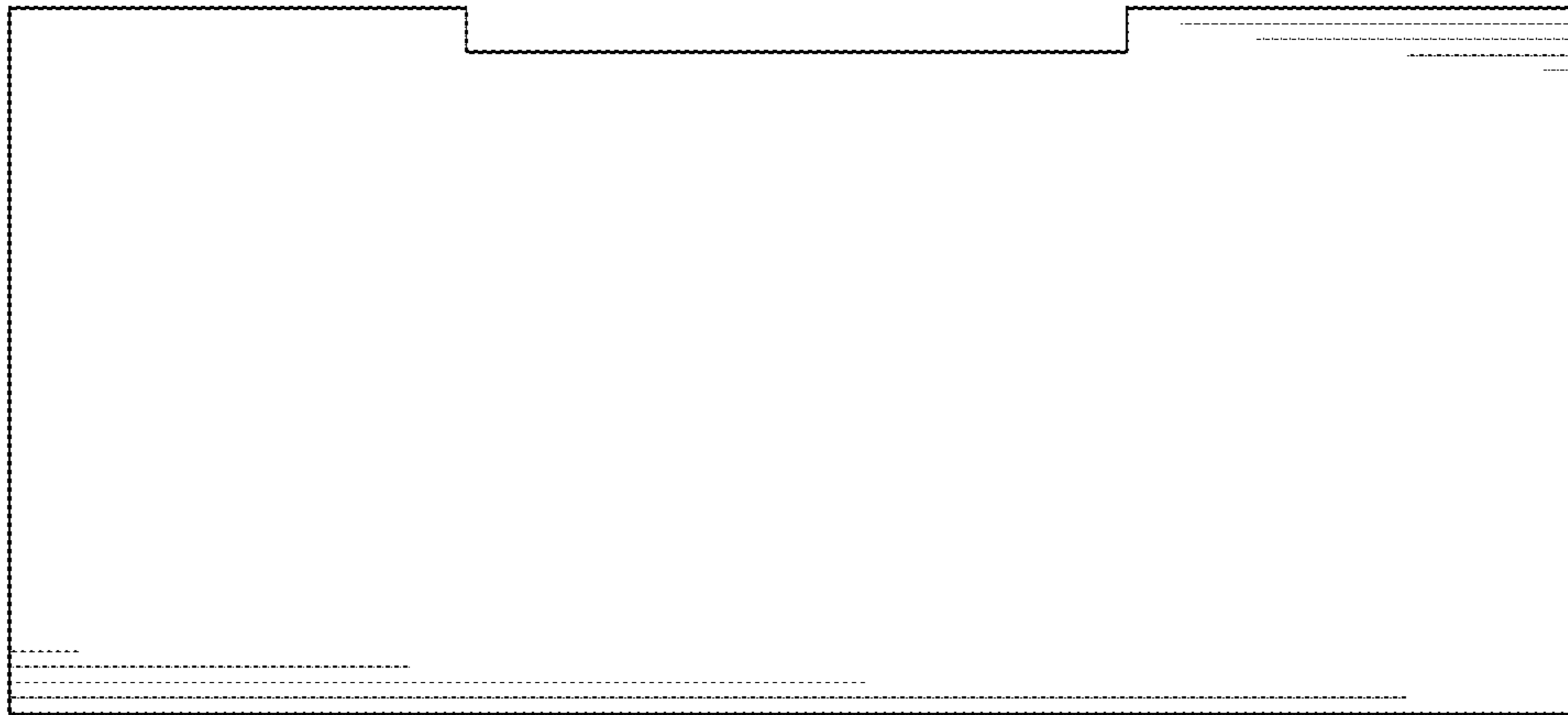


FIG. 10

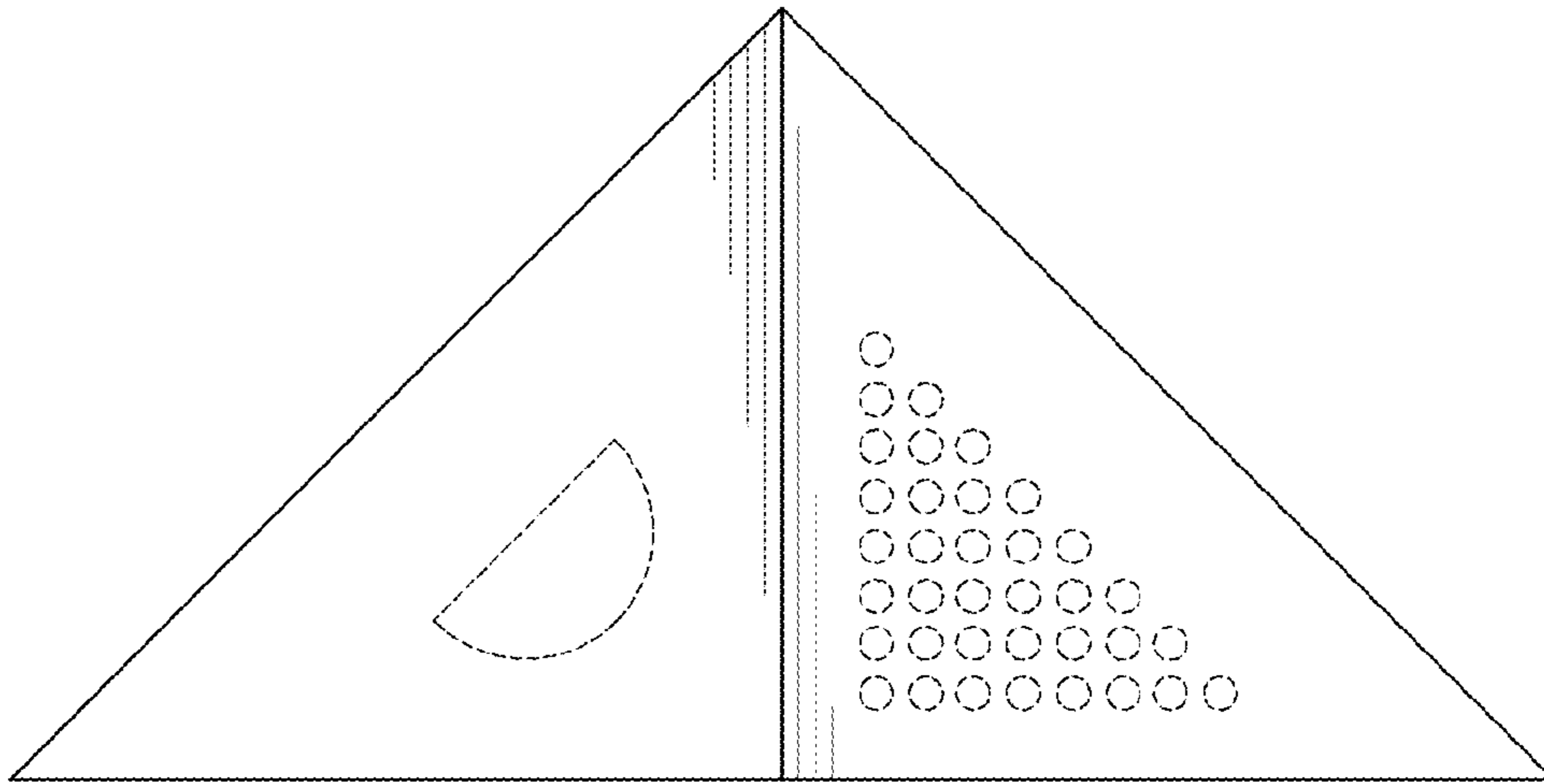


FIG. 11

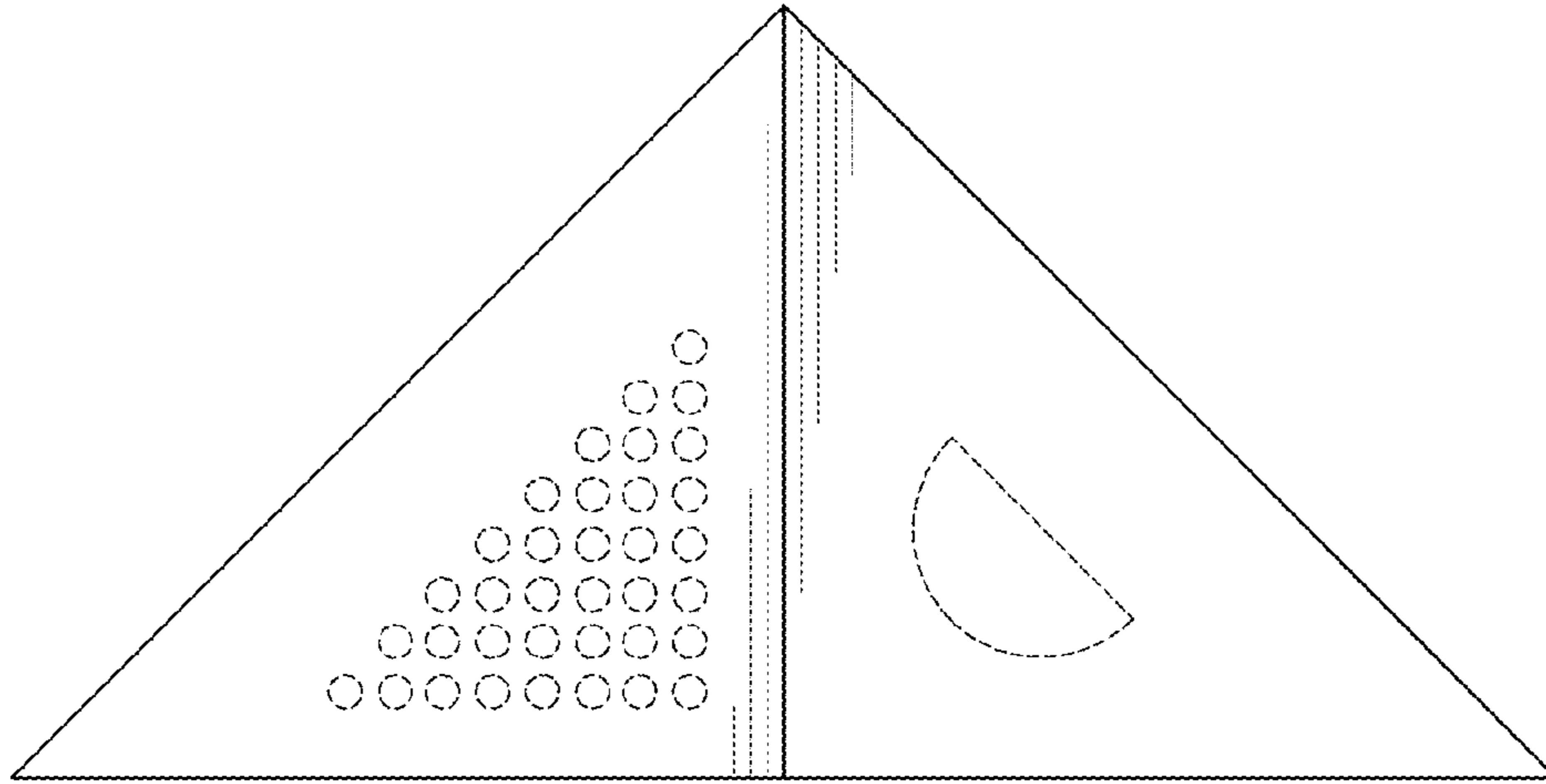


FIG. 12

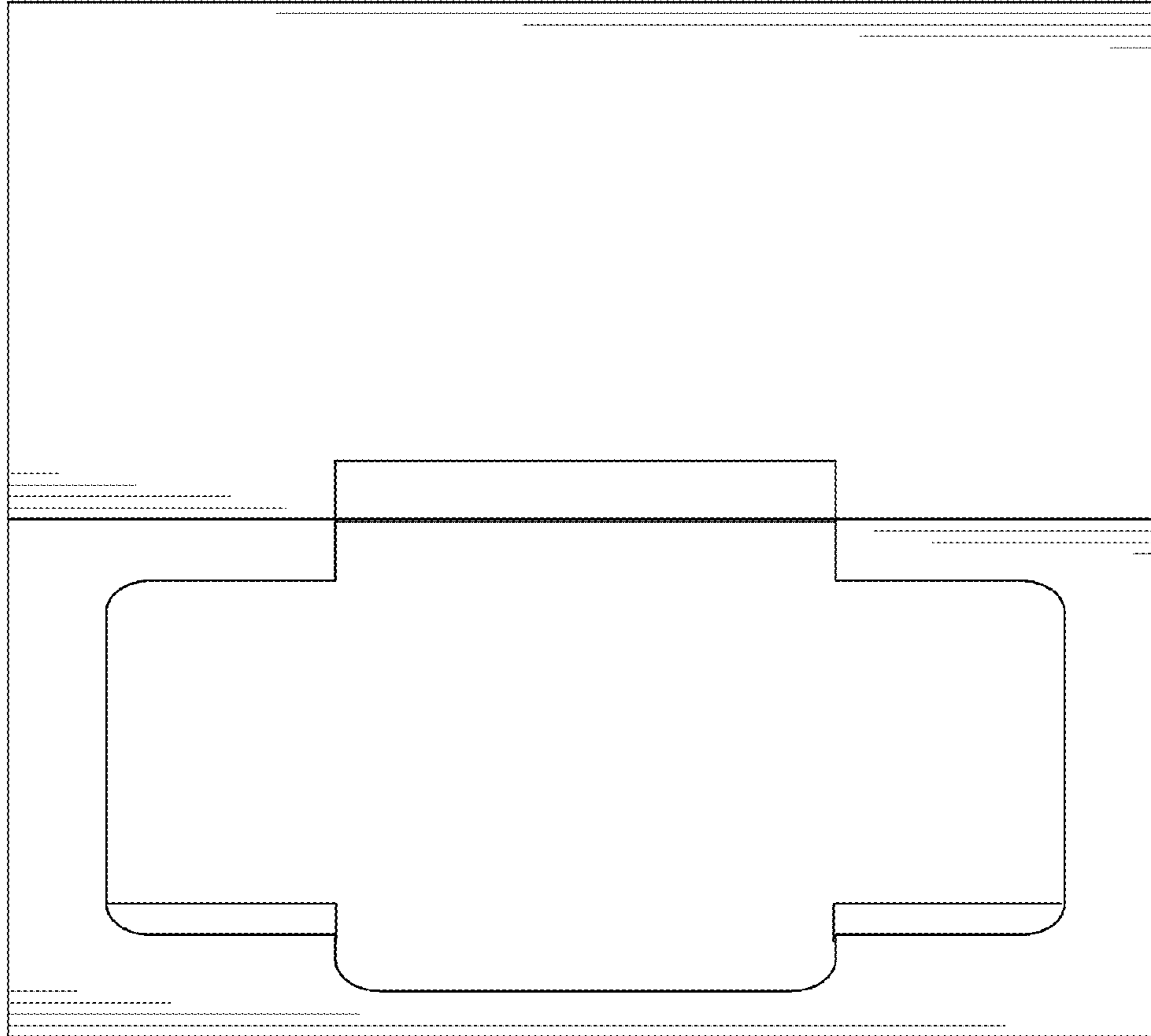


FIG. 13

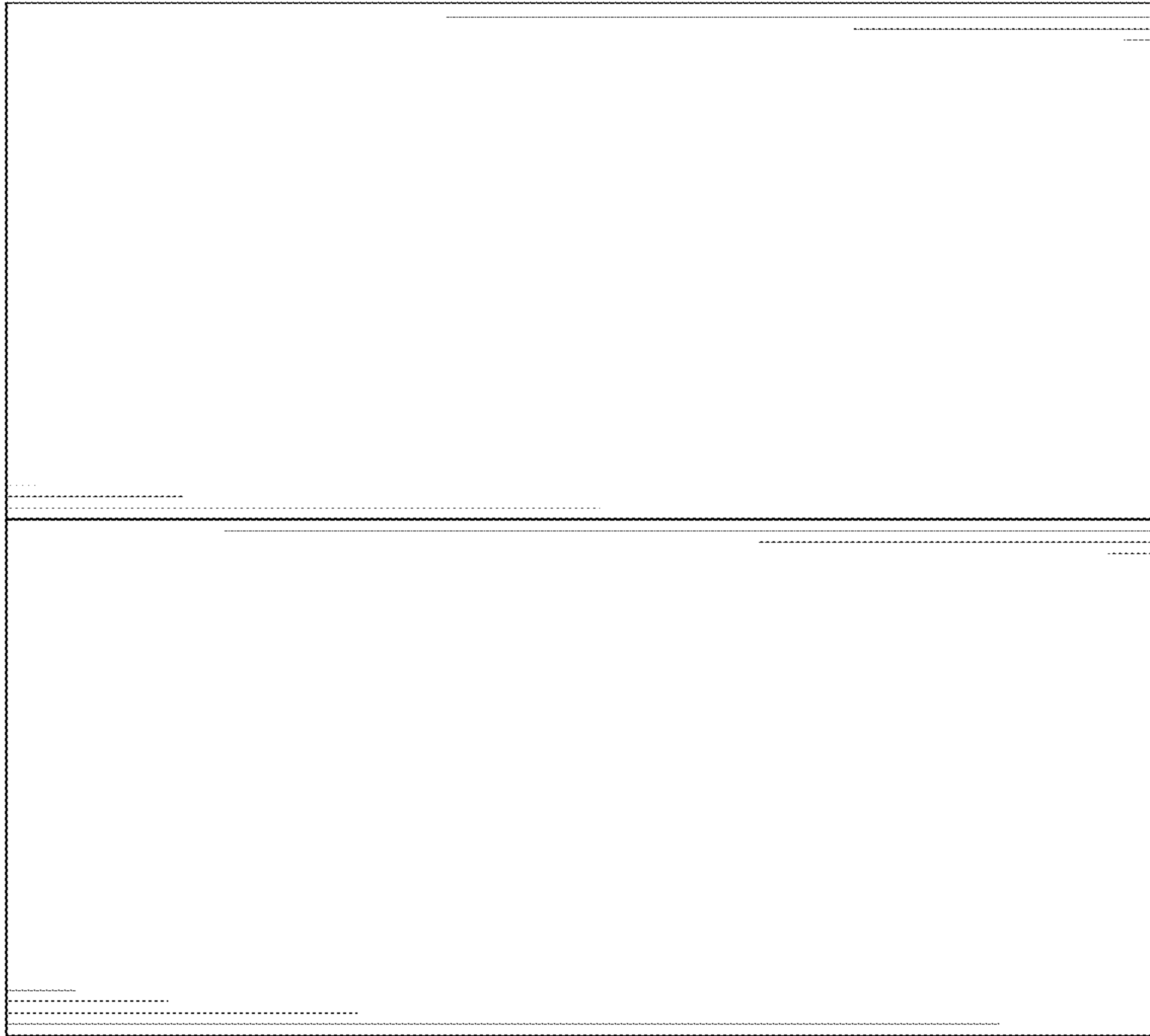


FIG. 14

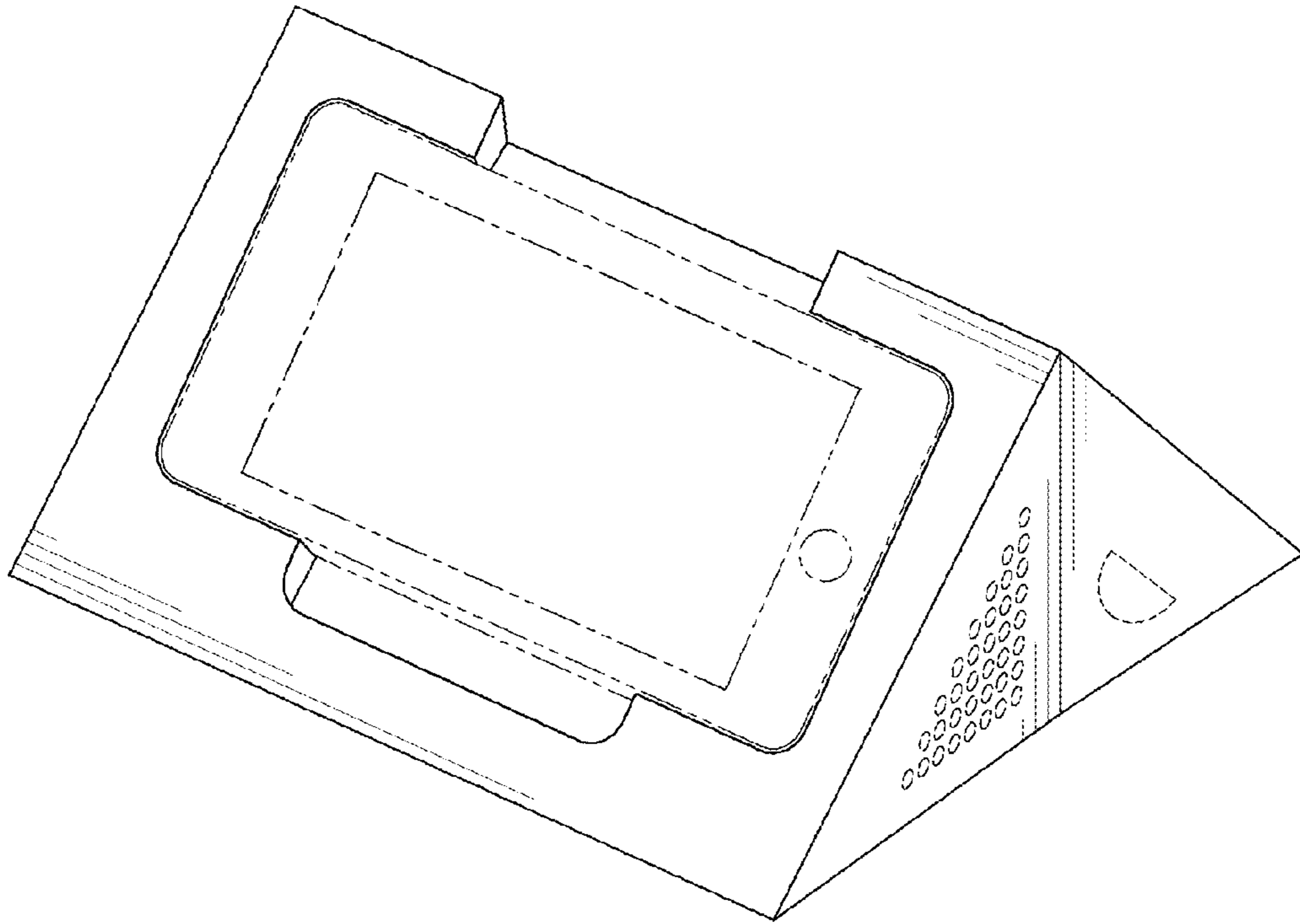


FIG. 15

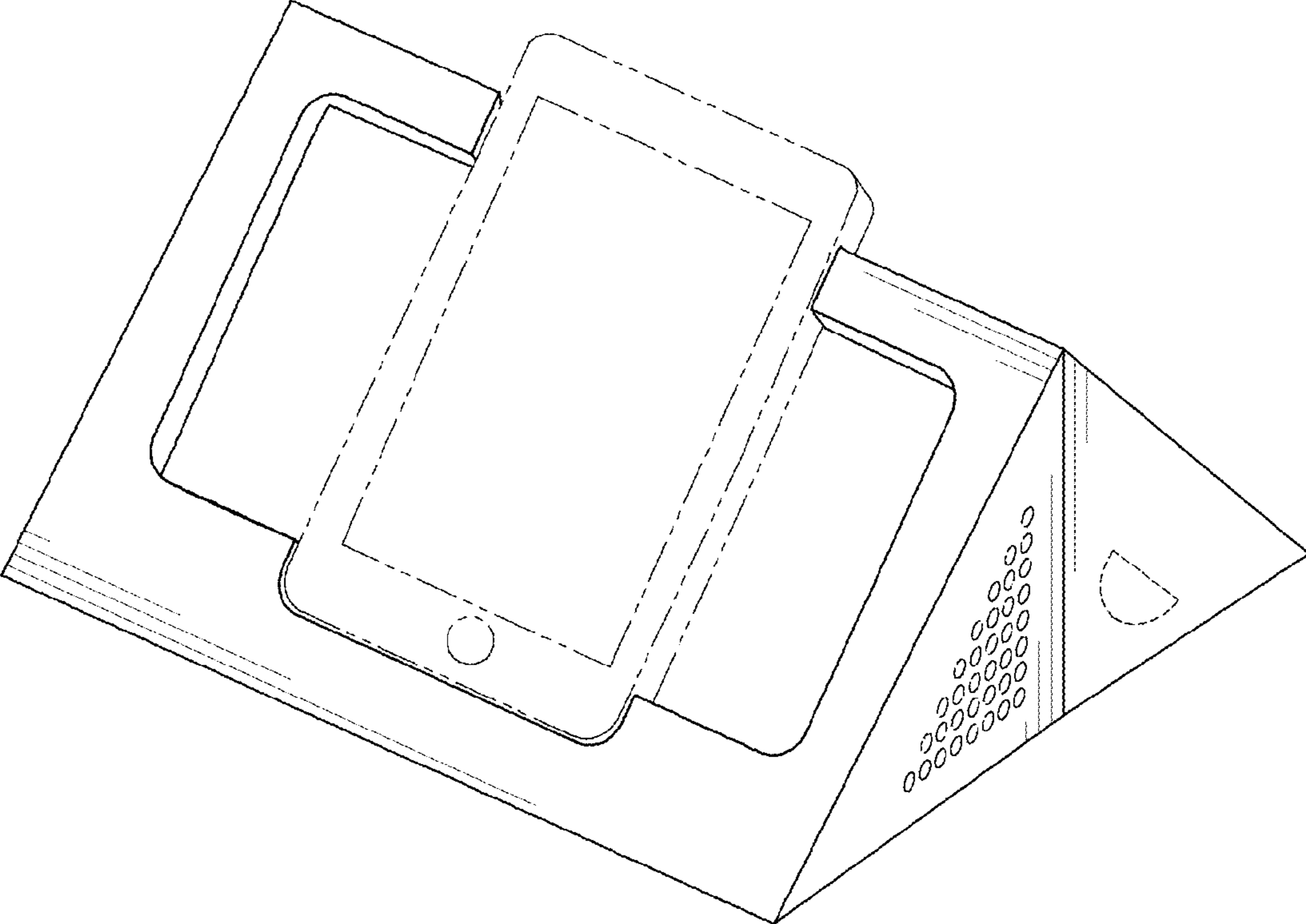


FIG. 16