



US00D730880S

(12) **United States Design Patent**  
**Nagata et al.**

(10) **Patent No.:** **US D730,880 S**  
(45) **Date of Patent:** **\*\* Jun. 2, 2015**

(54) **WIRELESS COMMUNICATION REPEATER**

(71) Applicant: **NEC CORPORATION**, Minato-ku,  
Tokyo (JP)

(72) Inventors: **Tetsuya Nagata**, Tokyo (JP); **Yoshinao Segawa**, Tokyo (JP)

(73) Assignee: **NEC CORPORATION**, Tokyo (JP)

(\*\*) Term: **14 Years**

(21) Appl. No.: **29/459,817**

(22) Filed: **Jul. 3, 2013**

(30) **Foreign Application Priority Data**

Jan. 23, 2013 (JP) ..... 2013-001119

(51) **LOC (10) Cl.** ..... **14-03**

(52) **U.S. Cl.**  
USPC ..... **D14/240**

(58) **Field of Classification Search**

USPC ..... D14/242, 240, 357, 358, 140-140.9,  
D14/155, 137, 139, 243, 348, 349, 351, 354,  
D14/355; 375/222; 455/557; 725/111  
CPC ..... H04L 12/00; H03K 17/00; H04W 88/00;  
H04W 88/005; H04W 88/02; H04W 88/08;  
H04W 88/085; H04W 88/10; H04W 88/12;  
H04W 88/14; H04B 1/38

See application file for complete search history.

(56) **References Cited**

U.S. PATENT DOCUMENTS

D408,823	S	*	4/1999	Kirby	.....	D14/240
D427,182	S	*	6/2000	Andrew et al.	.....	D14/230
D577,713	S	*	9/2008	Kim et al.	.....	D14/218
D596,626	S	*	7/2009	Andre et al.	.....	D14/240
D616,875	S	*	6/2010	Oh et al.	.....	D14/240
D641,740	S	*	7/2011	Jeon et al.	.....	D14/240
D644,221	S	*	8/2011	Kemery et al.	.....	D14/358
D662,496	S	*	6/2012	Lewis et al.	.....	D14/240
D682,266	S	*	5/2013	Wu et al.	.....	D14/358
D706,249	S	*	6/2014	Holzer	.....	D14/240
D711,359	S	*	8/2014	Marzynski et al.	.....	D14/240
2003/0068985	A1	*	4/2003	McDonald et al.	.....	455/82
2004/0110469	A1	*	6/2004	Judd et al.	.....	455/15

\* cited by examiner

*Primary Examiner* — Bridget L Eland

(74) *Attorney, Agent, or Firm* — Sughrue Mion, PLLC

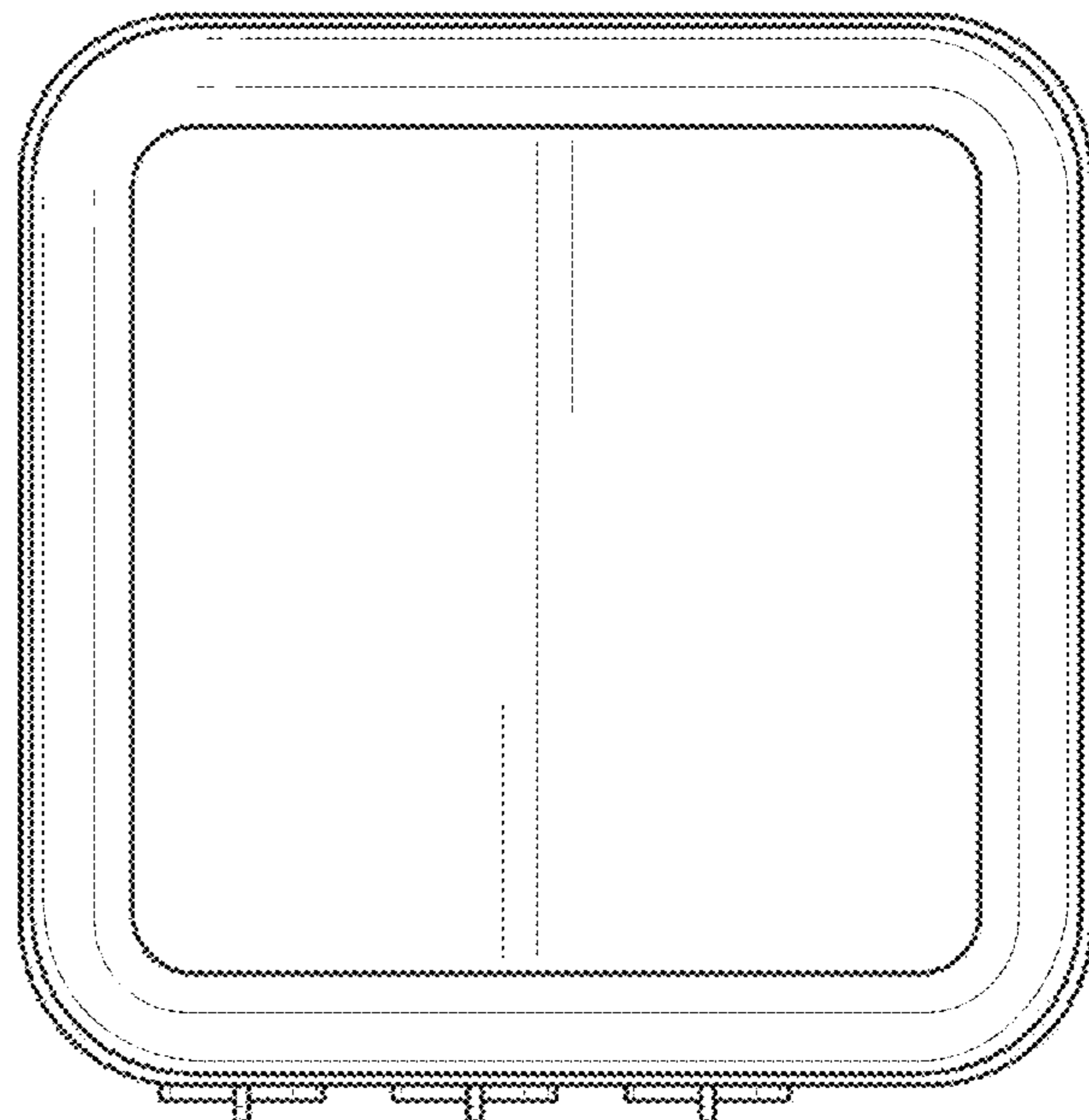
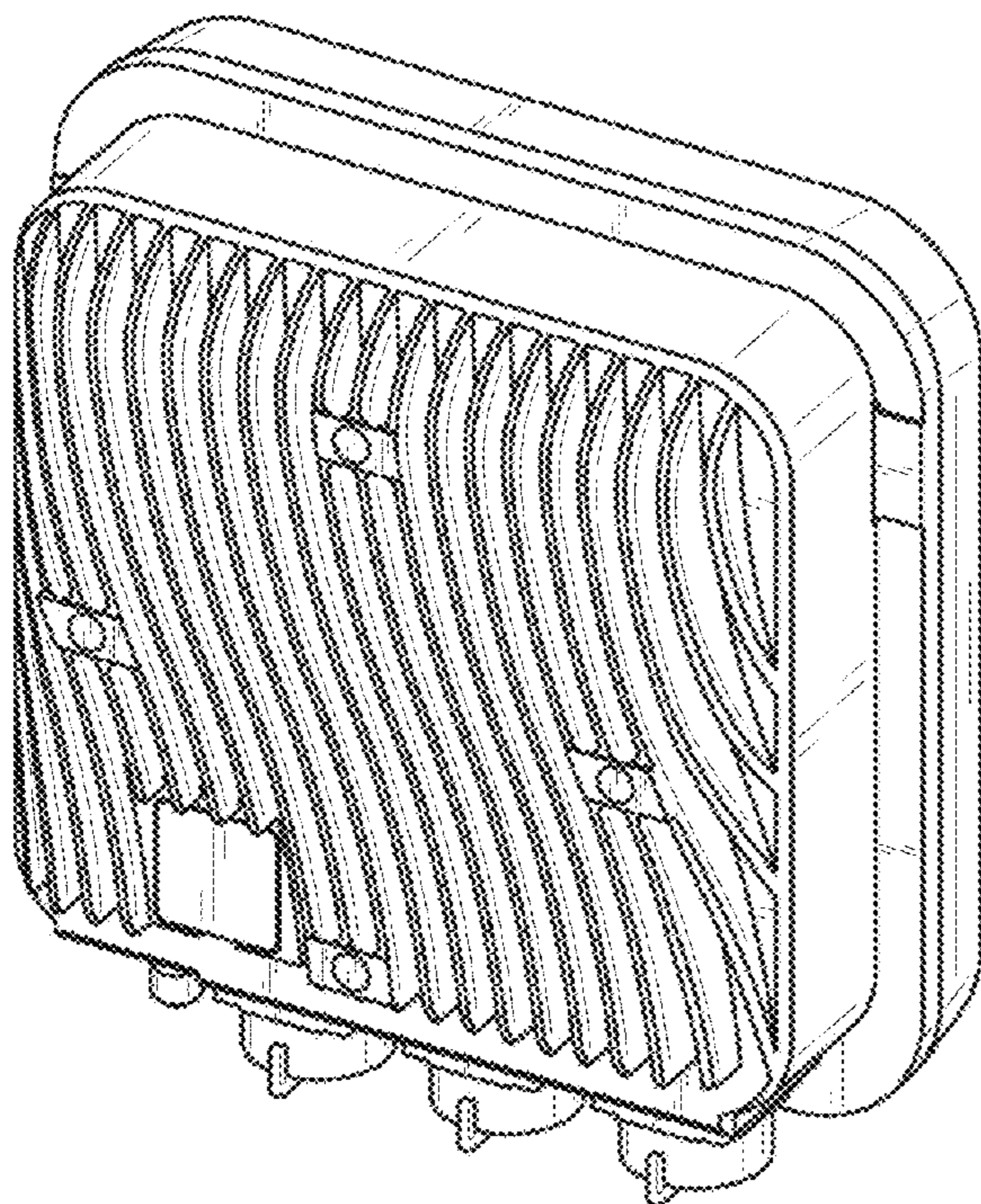
(57) **CLAIM**

The ornamental design for a wireless communication repeater, as shown and described.

**DESCRIPTION**

FIG. 1 is a perspective view of a wireless communication repeater showing our new design;  
FIG. 2 is a rear perspective view thereof;  
FIG. 3 is a front view thereof;  
FIG. 4 is a rear view thereof;  
FIG. 5 is a left side view thereof;  
FIG. 6 is a right side view thereof;  
FIG. 7 is a top plan view thereof; and,  
FIG. 8 is a bottom plan view thereof.

**1 Claim, 8 Drawing Sheets**



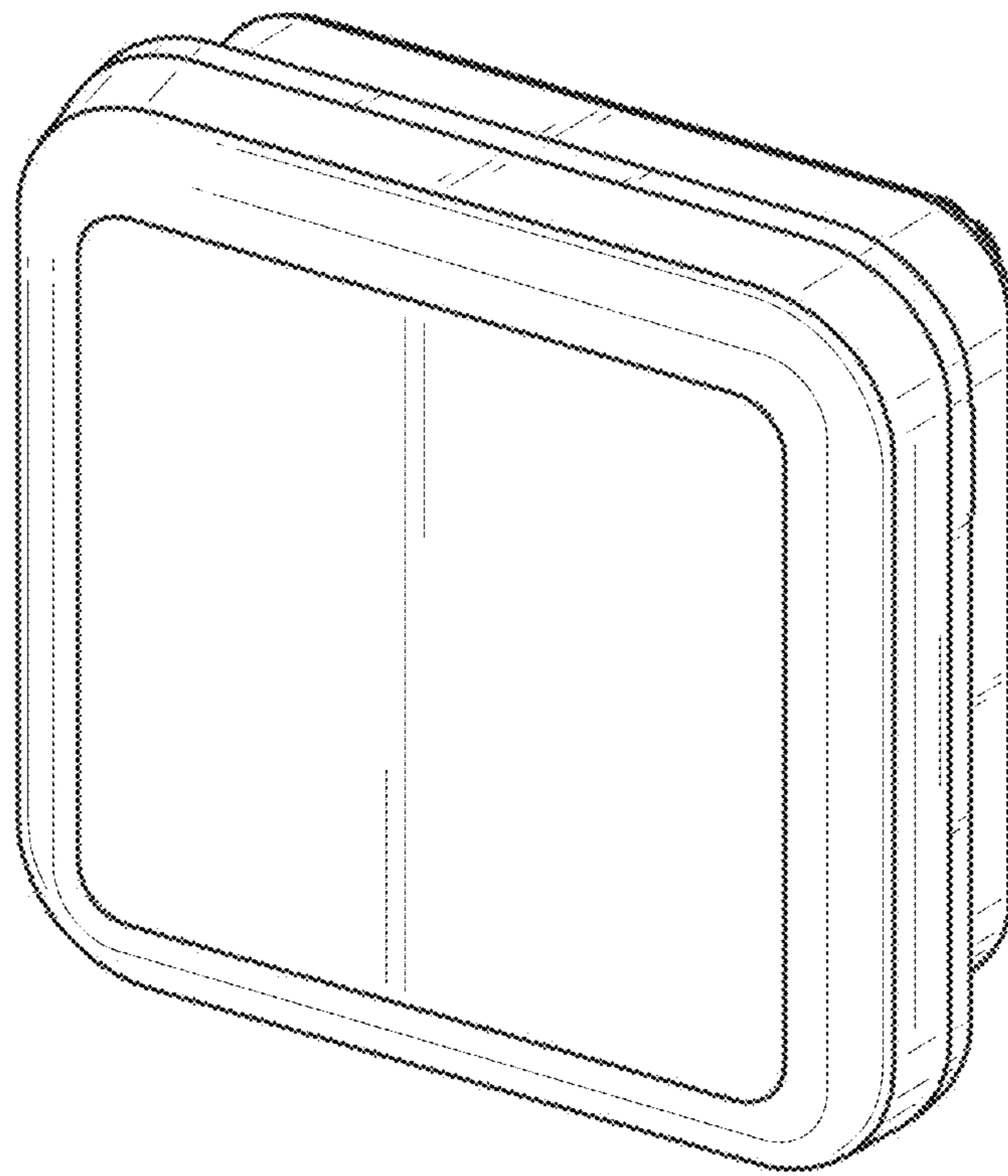


FIG. 1



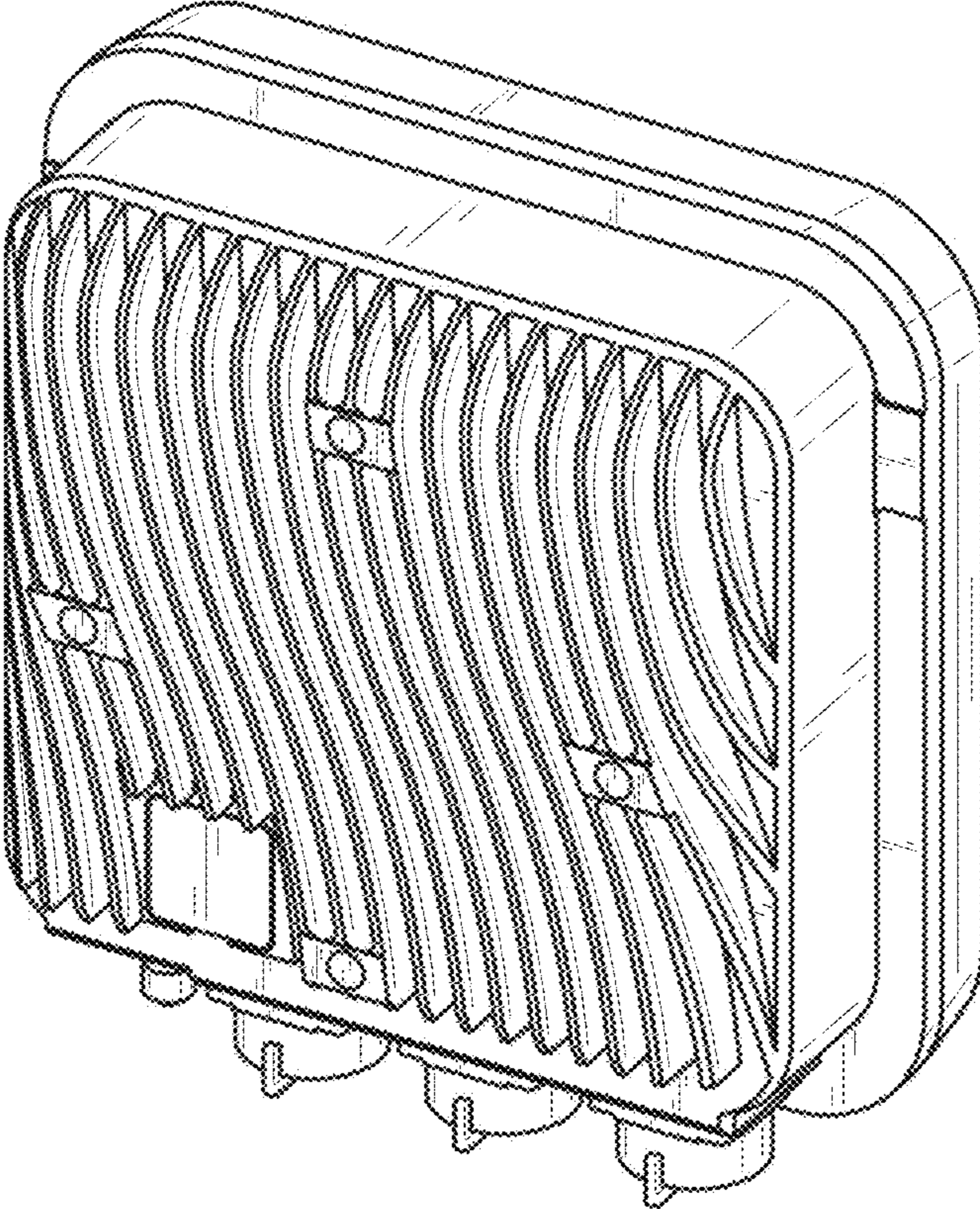


FIG. 2

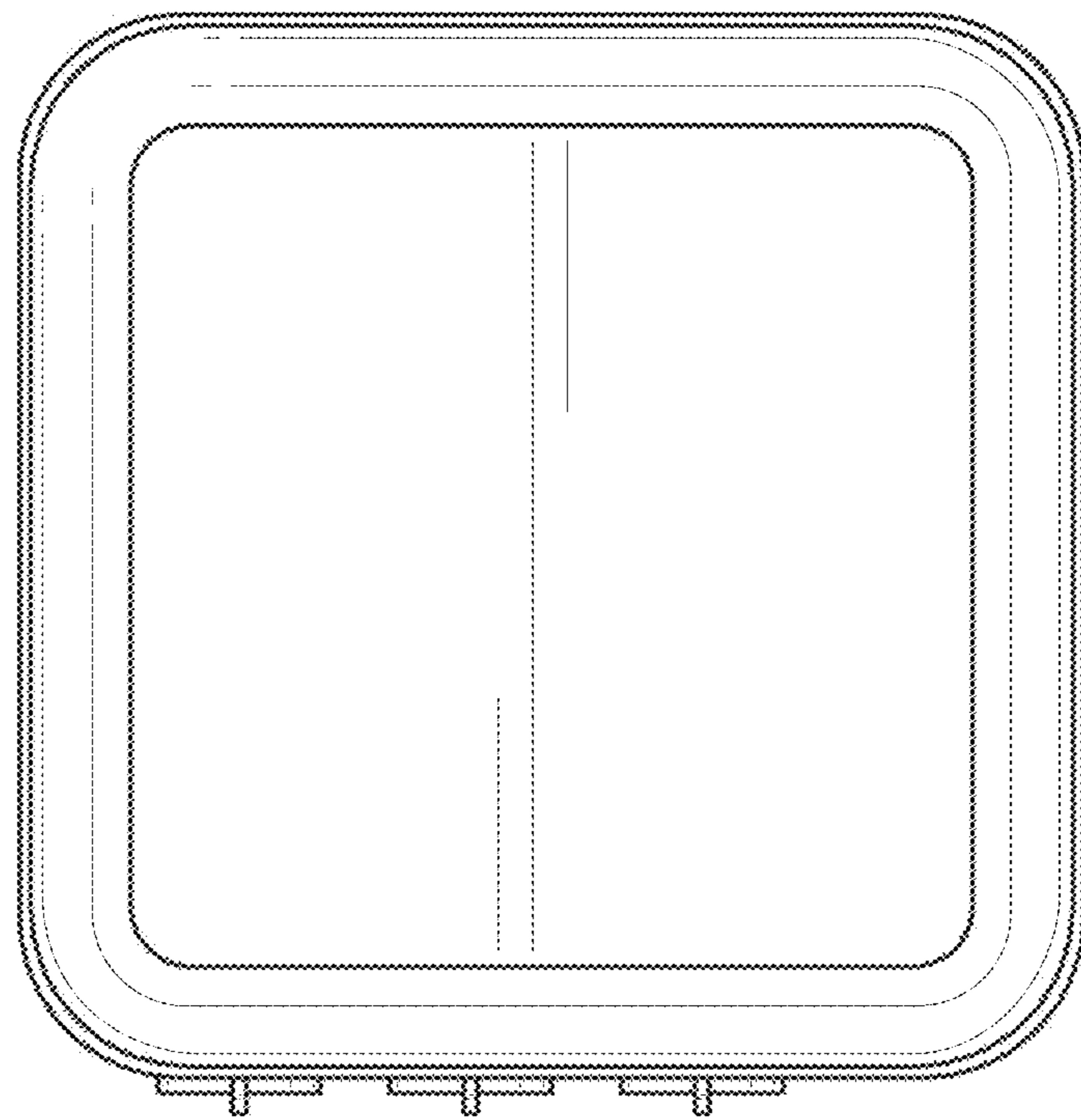


FIG. 3

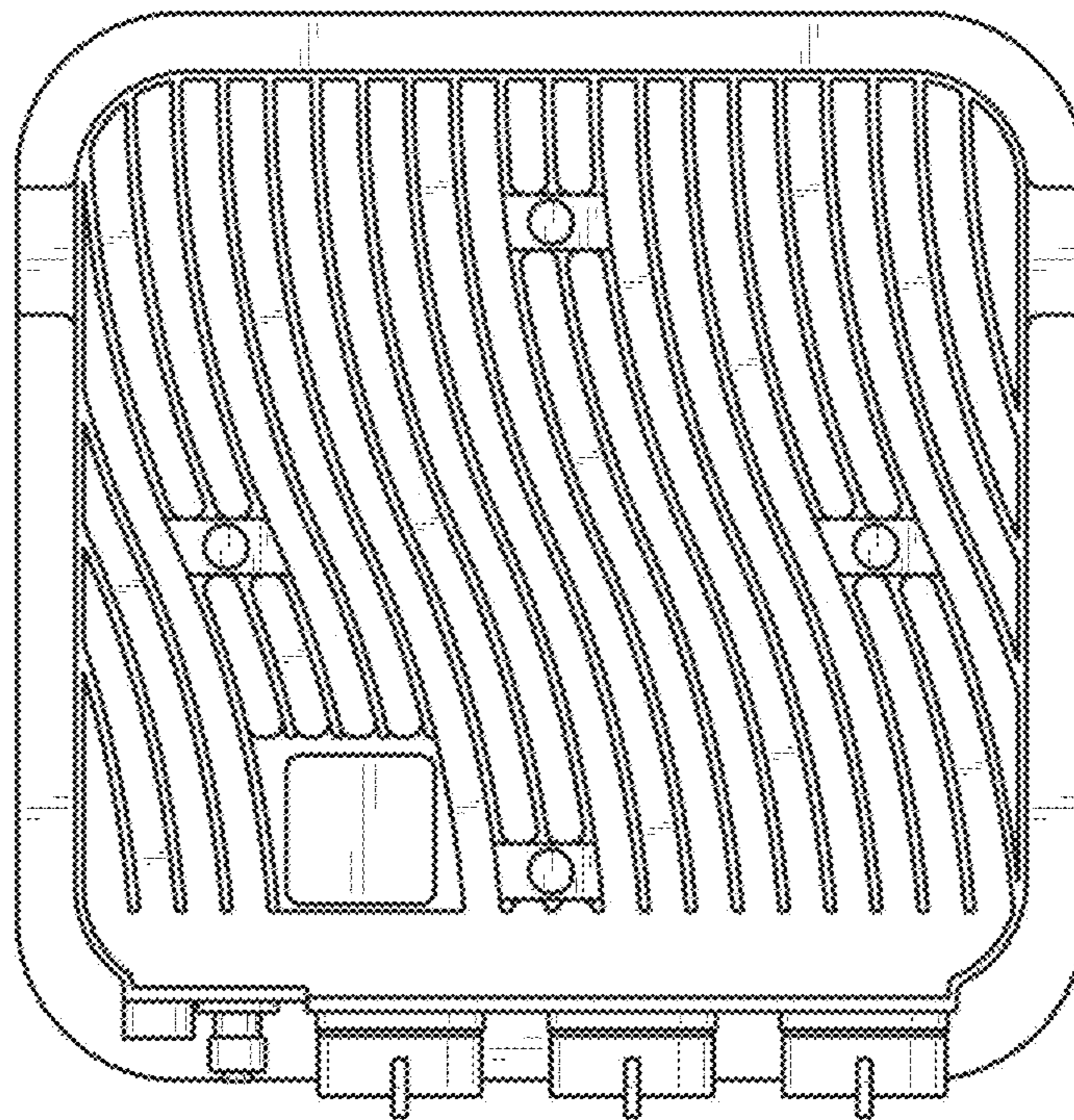


FIG. 4

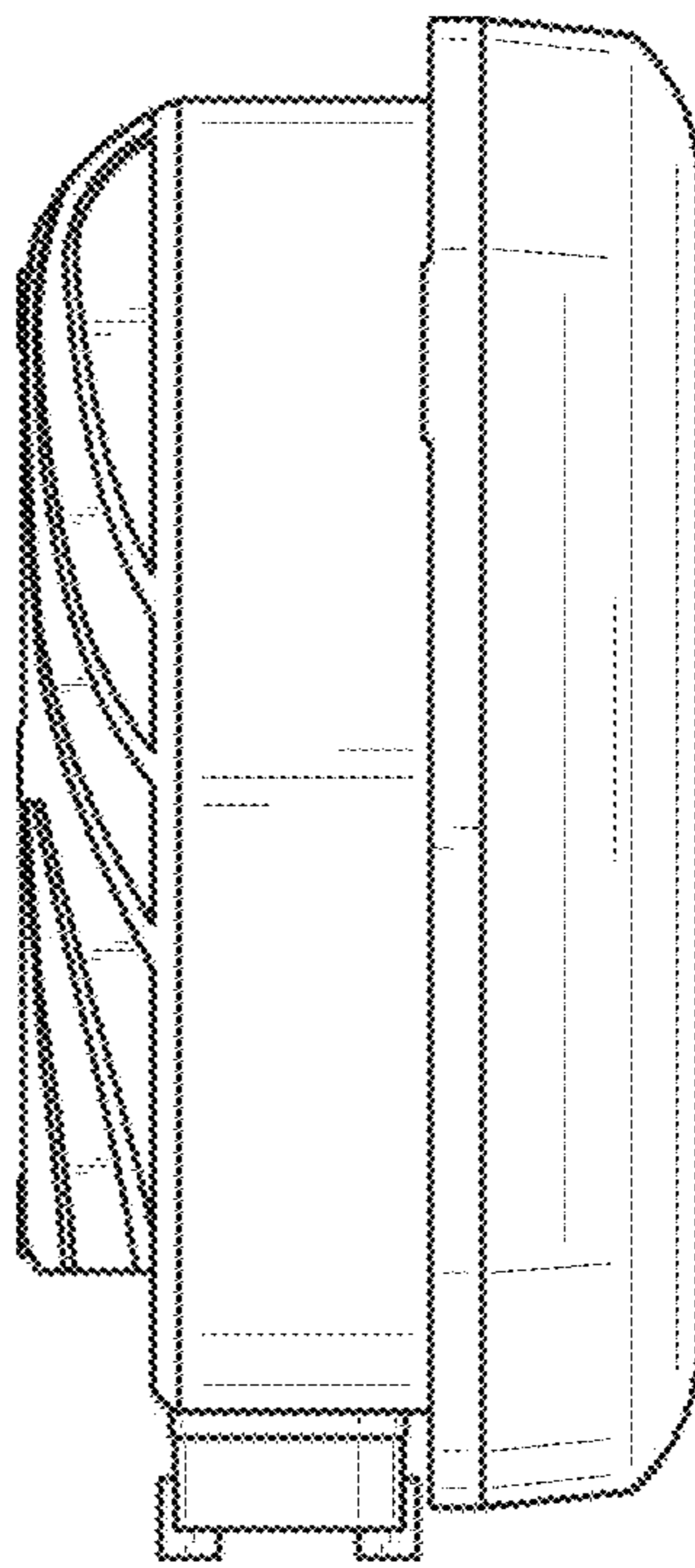


FIG. 5



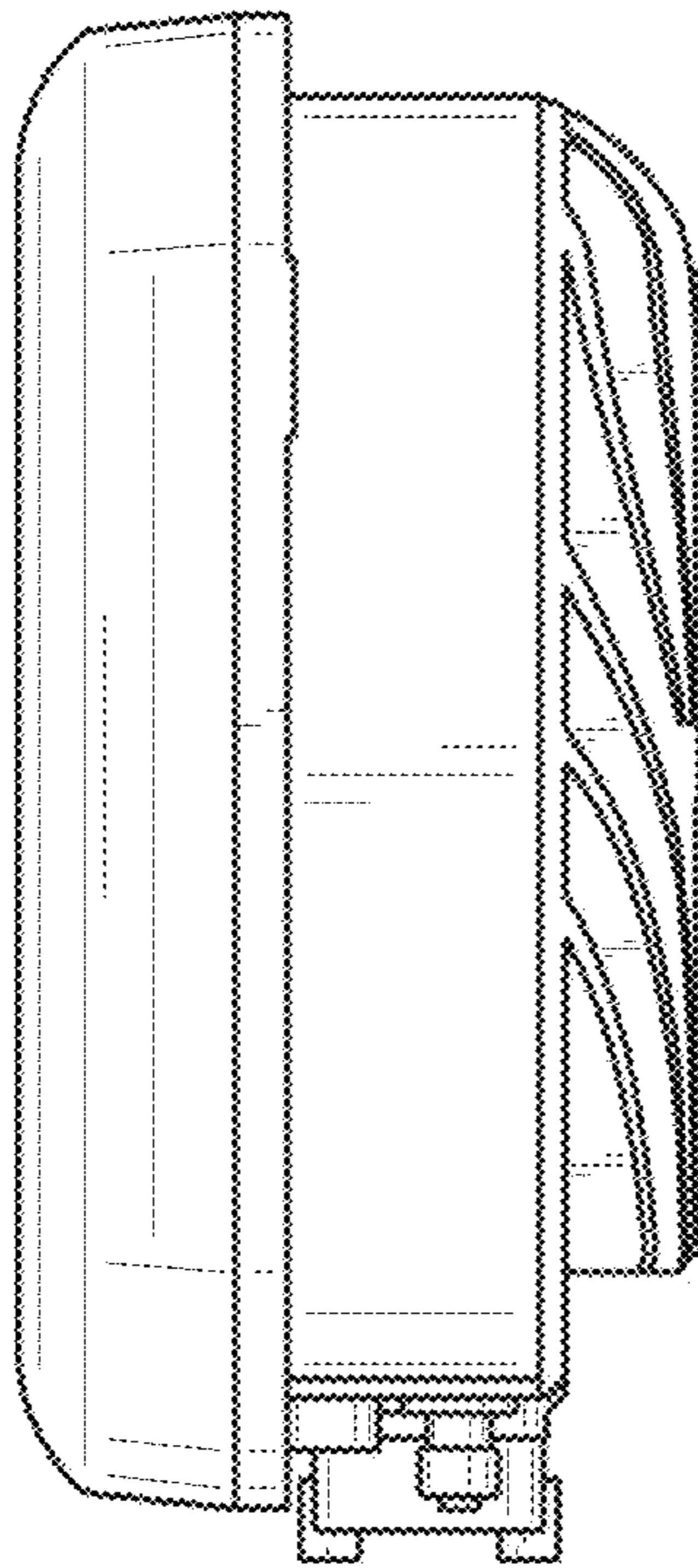


FIG. 6

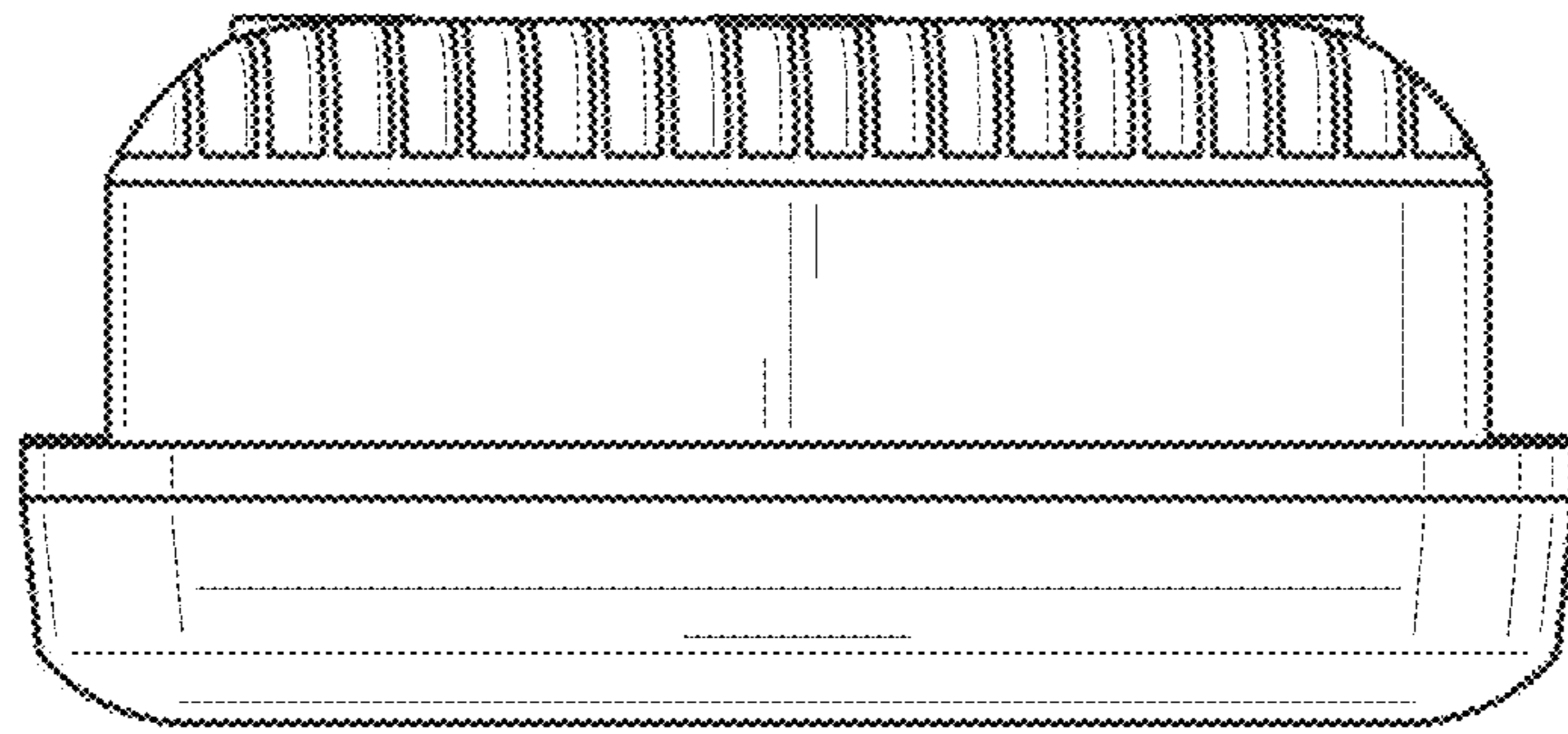


FIG. 7



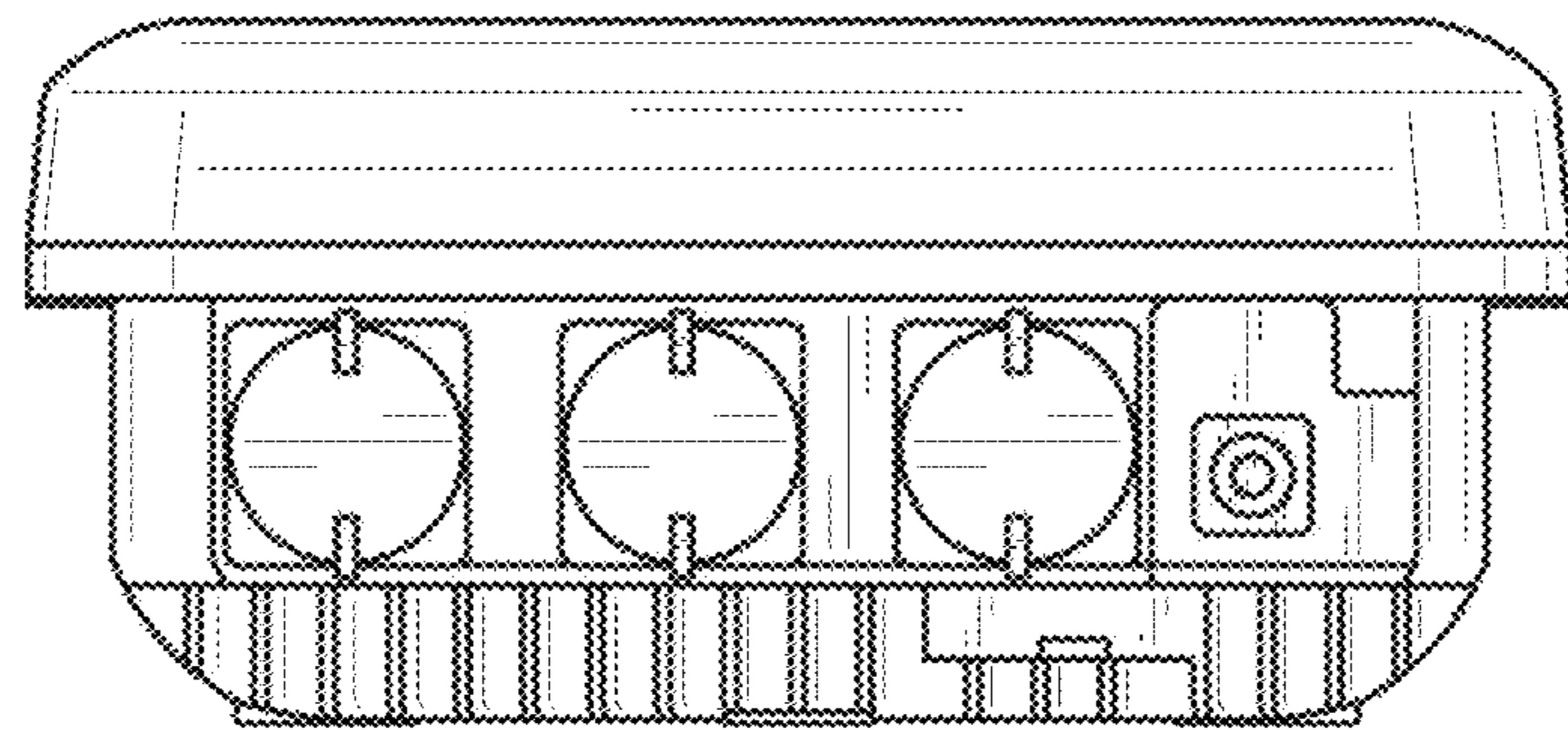


FIG. 8