



US00D730878S

(12) **United States Design Patent**
Khairudin et al.

(10) **Patent No.:** **US D730,878 S**

(45) **Date of Patent:** **** Jun. 2, 2015**

(54) **REMOTE SPEAKER MICROPHONE**

(71) Applicant: **MOTOROLA SOLUTIONS, INC.**,
Schaumburg, IL (US)

(72) Inventors: **Khairul Anuar Khairudin**, Gelugor
(MY); **Jaihar Jailani Ismail**, Jonor
(MY); **Shirish Kaner**, Penang (MY);
Beng Gian Ooi, Penang (MY)

(73) Assignee: **Motorola Solutions, Inc.**, Schaumburg,
IL (US)

(**) Term: **14 Years**

(21) Appl. No.: **29/494,923**

(22) Filed: **Jun. 25, 2014**

(51) **LOC (10) Cl.** **14-01**

(52) **U.S. Cl.**
USPC **D14/226**

(58) **Field of Classification Search**
USPC D14/225, 226, 228, 137, 138, 188, 218;
D21/483; 379/430, 431, 422, 433.02,
379/433.06; 381/380, 381; 455/90.3, 90.1,
455/575.1

CPC H04R 25/00
See application file for complete search history.

(56) **References Cited**

U.S. PATENT DOCUMENTS

D203,187 S *	12/1965	Deschamps	D14/225
D206,329 S *	11/1966	Gulbrandsen	D14/225
4,009,355 A *	2/1977	Poradowski	381/358
4,032,844 A *	6/1977	Imazeki	455/77
D245,692 S *	9/1977	Imazeki	D14/225
D247,669 S *	4/1978	Murakami et al.	D14/225
D250,709 S *	1/1979	Sakaguchi	D14/225
4,679,233 A *	7/1987	Richardson et al.	379/433.02
D307,907 S *	5/1990	Siddoway et al.	D14/225

5,249,235 A *	9/1993	Davis et al.	381/91
D388,094 S *	12/1997	Tokiyama et al.	D14/226
5,701,355 A *	12/1997	Brannan et al.	381/361
D415,767 S *	10/1999	Page et al.	D14/226
D465,781 S *	11/2002	Fischer	D14/240
D481,025 S *	10/2003	Cebe et al.	D14/137
D483,352 S *	12/2003	Witzak et al.	D14/225
D494,960 S *	8/2004	Lum	D14/225
D503,398 S *	3/2005	Haase et al.	D14/225
D519,111 S *	4/2006	Miranda	D14/225
D530,313 S *	10/2006	Leng et al.	D14/225
D567,232 S *	4/2008	Darbut et al.	D14/225
D587,690 S *	3/2009	Onodera	D14/225
D606,035 S *	12/2009	Tan et al.	D14/137
D615,533 S *	5/2010	Emge et al.	D14/225
D632,679 S *	2/2011	Emge et al.	D14/225
D660,827 S *	5/2012	Sakata	D14/225
D662,090 S *	6/2012	Richards et al.	D14/226
2007/0248223 A1 *	10/2007	Liou	379/422

* cited by examiner

Primary Examiner — Paula Greene

(74) *Attorney, Agent, or Firm* — Barbara R. Doutre

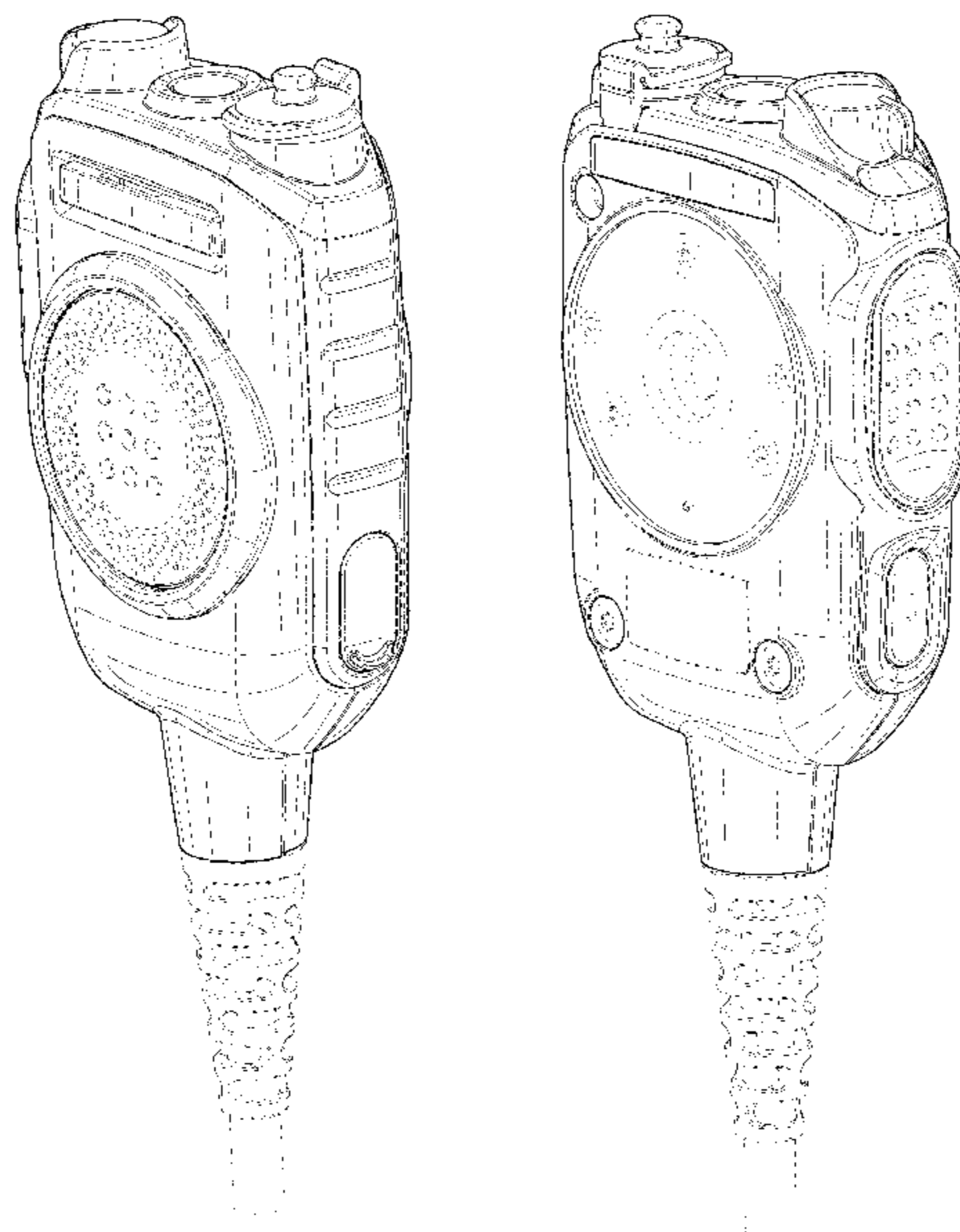
(57) **CLAIM**

The ornamental design for a remote speaker microphone, as shown and described.

DESCRIPTION

FIG. 1 is a front perspective view of an ornamental design for a remote speaker microphone;
FIG. 2 is a rear perspective view thereof;
FIG. 3 is a front view thereof;
FIG. 4 is a back side view thereof;
FIG. 5 is a first side view thereof;
FIG. 6 is a second side view thereof;
FIG. 7 is a top view thereof; and,
FIG. 8 is a bottom view thereof.
Broken lines and unshaded portions contained within broken lines are not claimed.

1 Claim, 6 Drawing Sheets



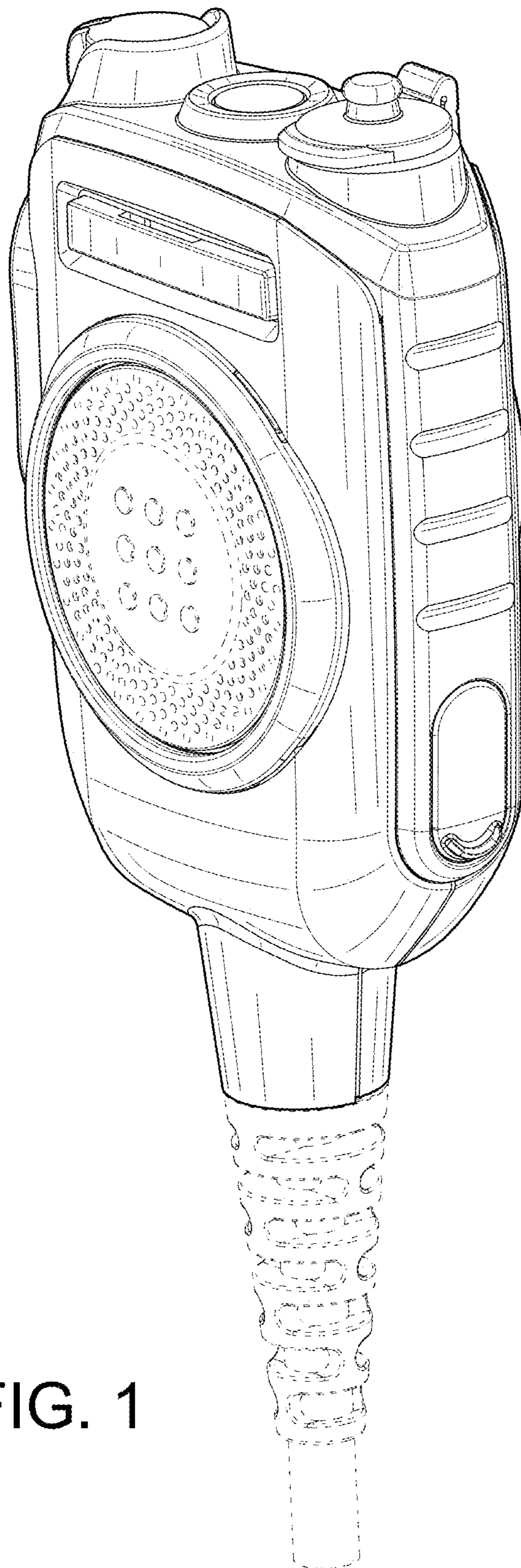


FIG. 1

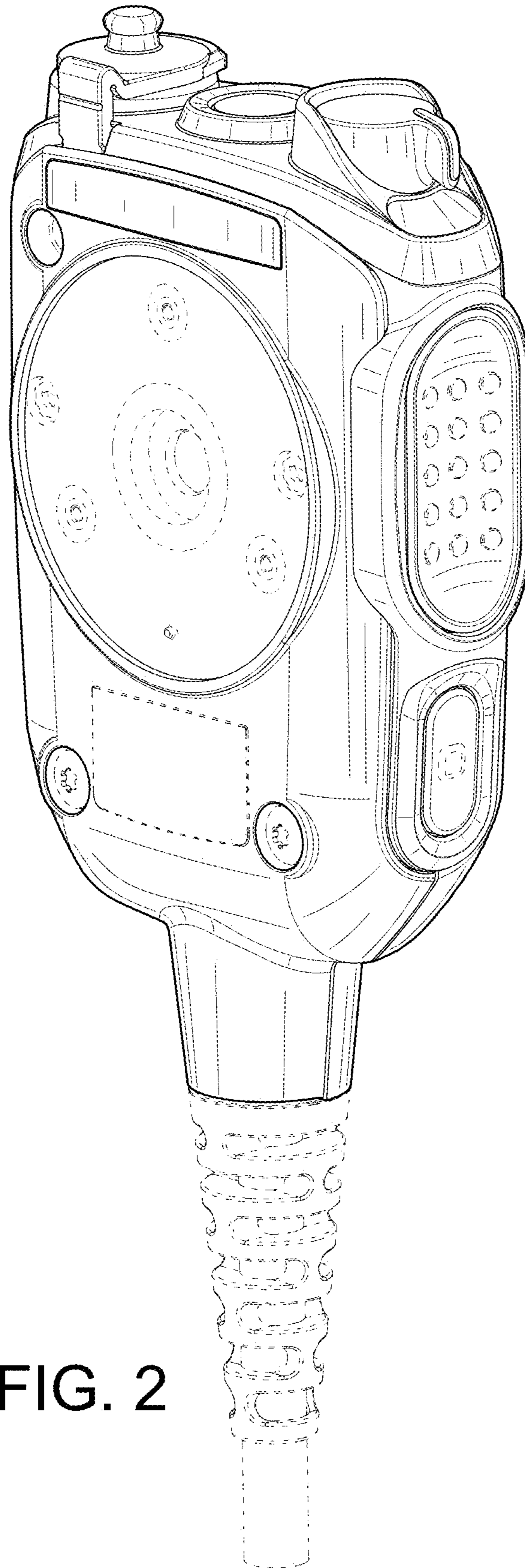


FIG. 2

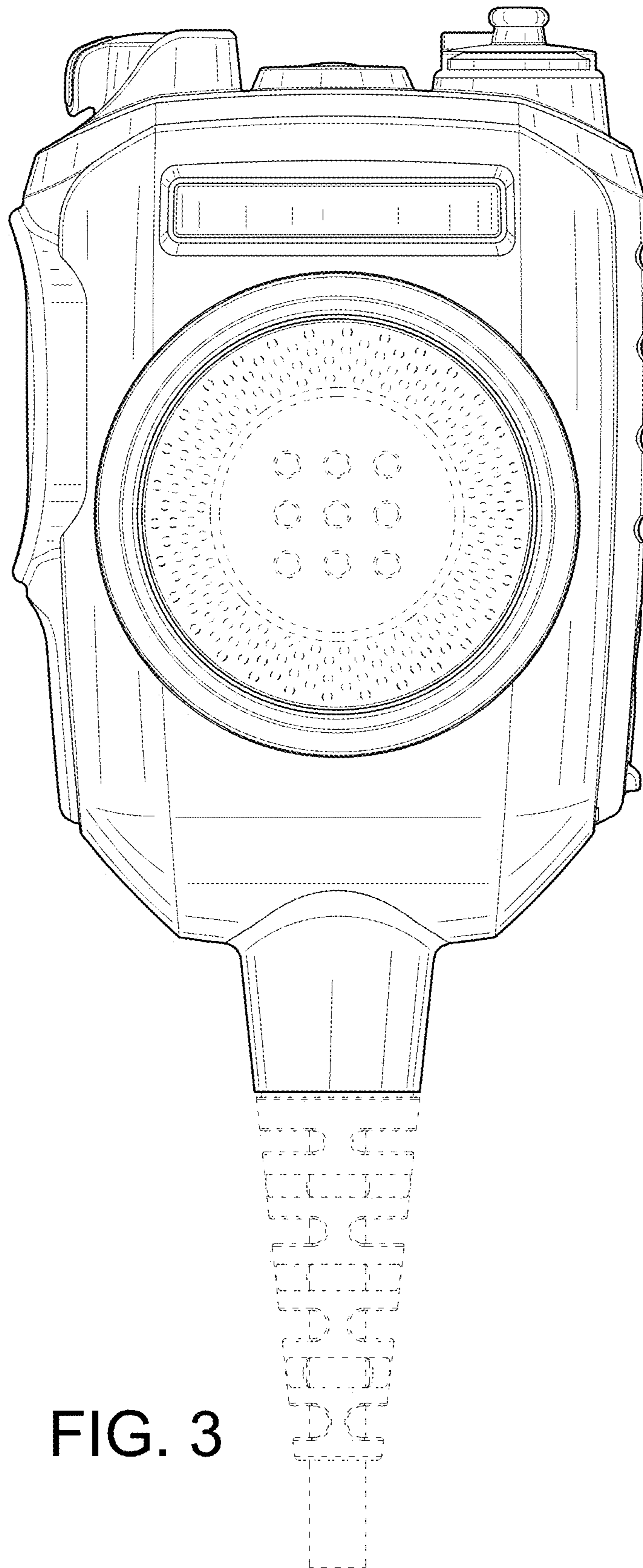


FIG. 3

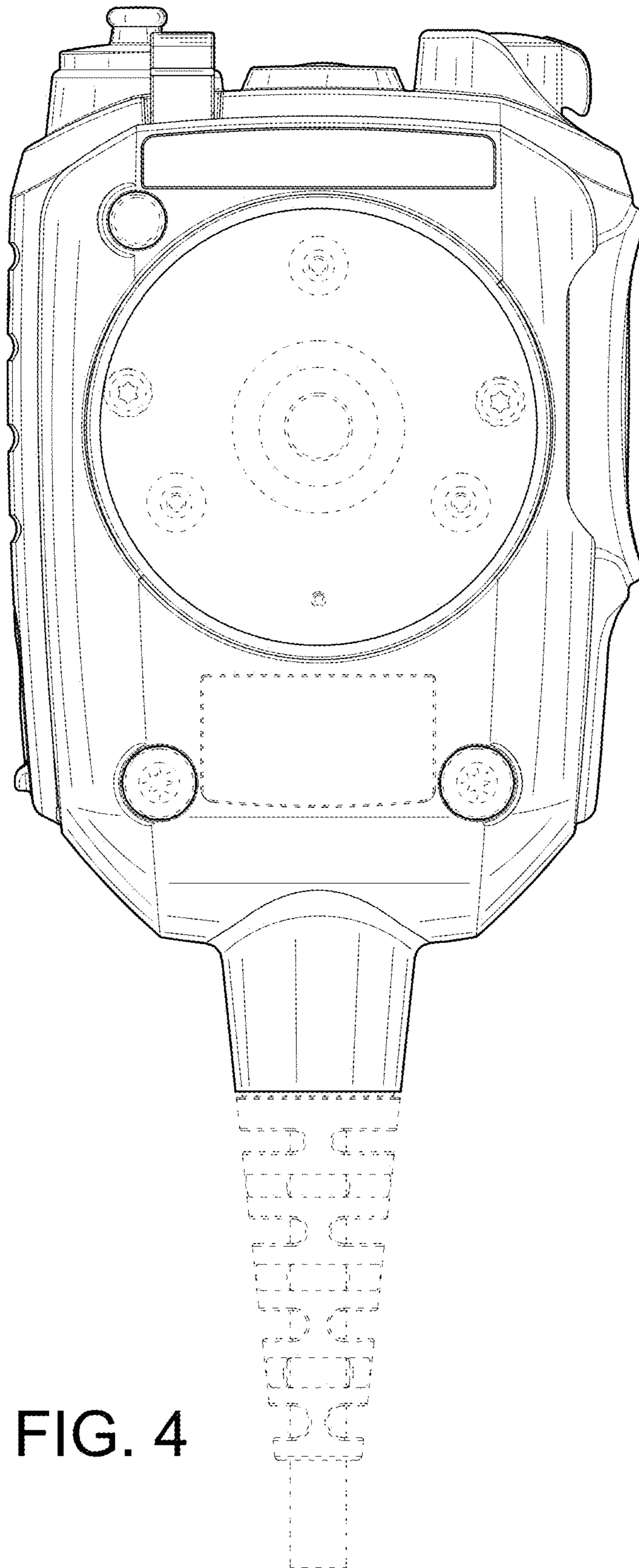


FIG. 4

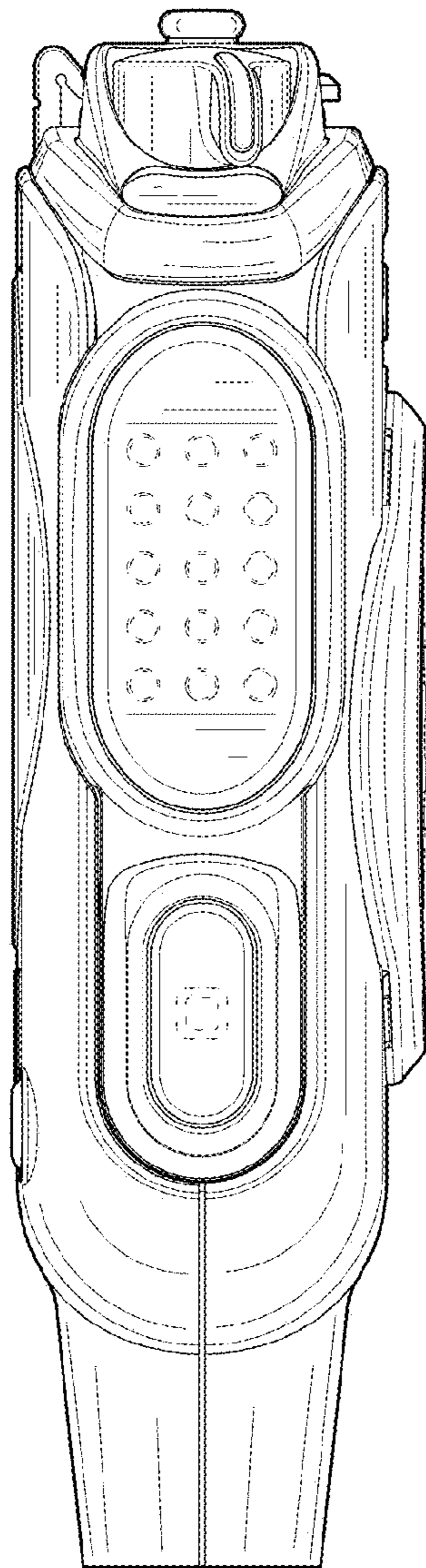


FIG. 5

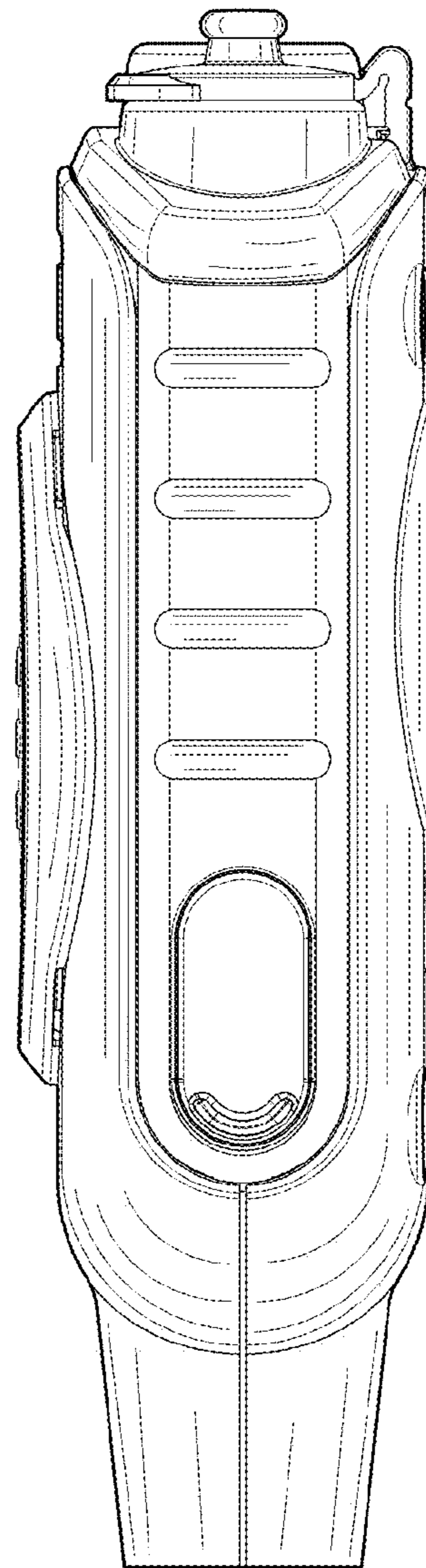


FIG. 6

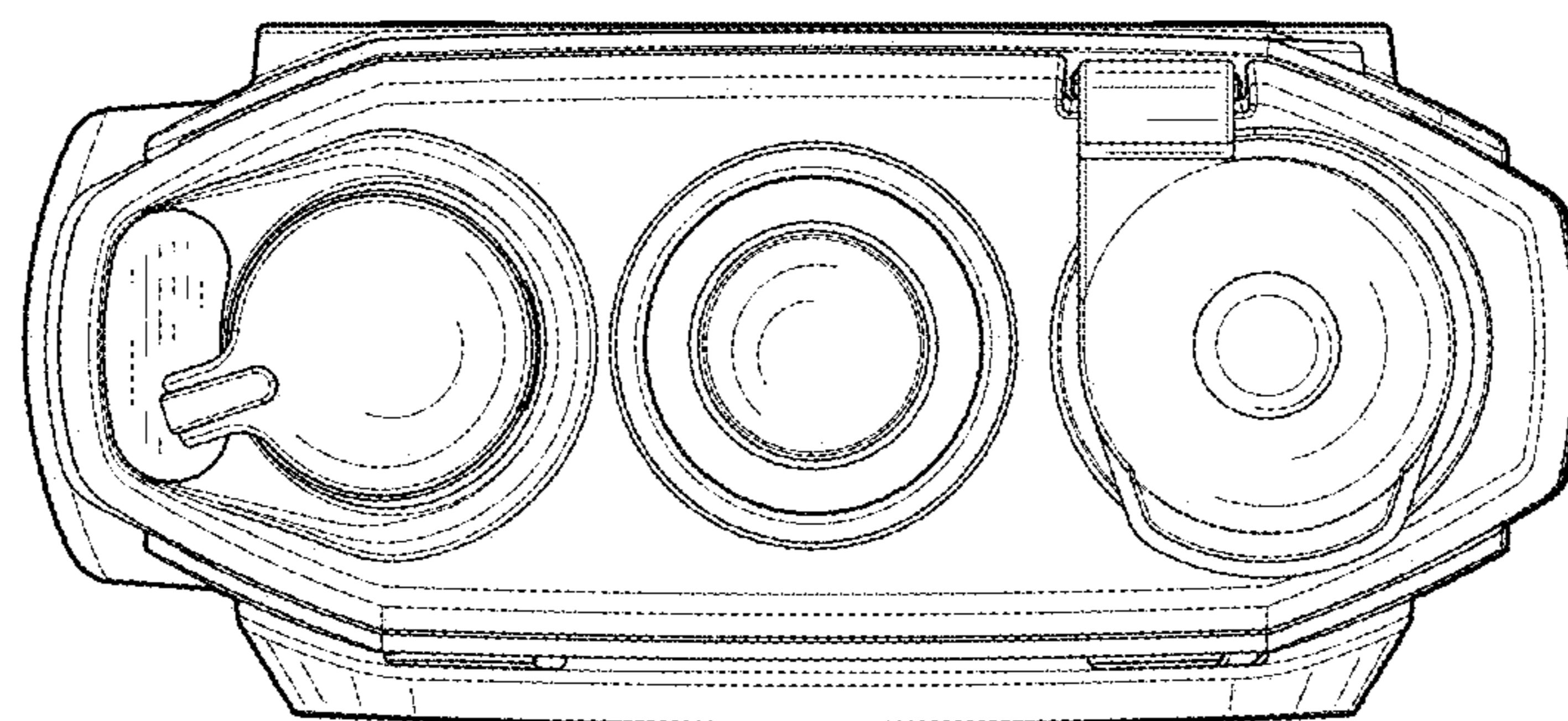


FIG. 7

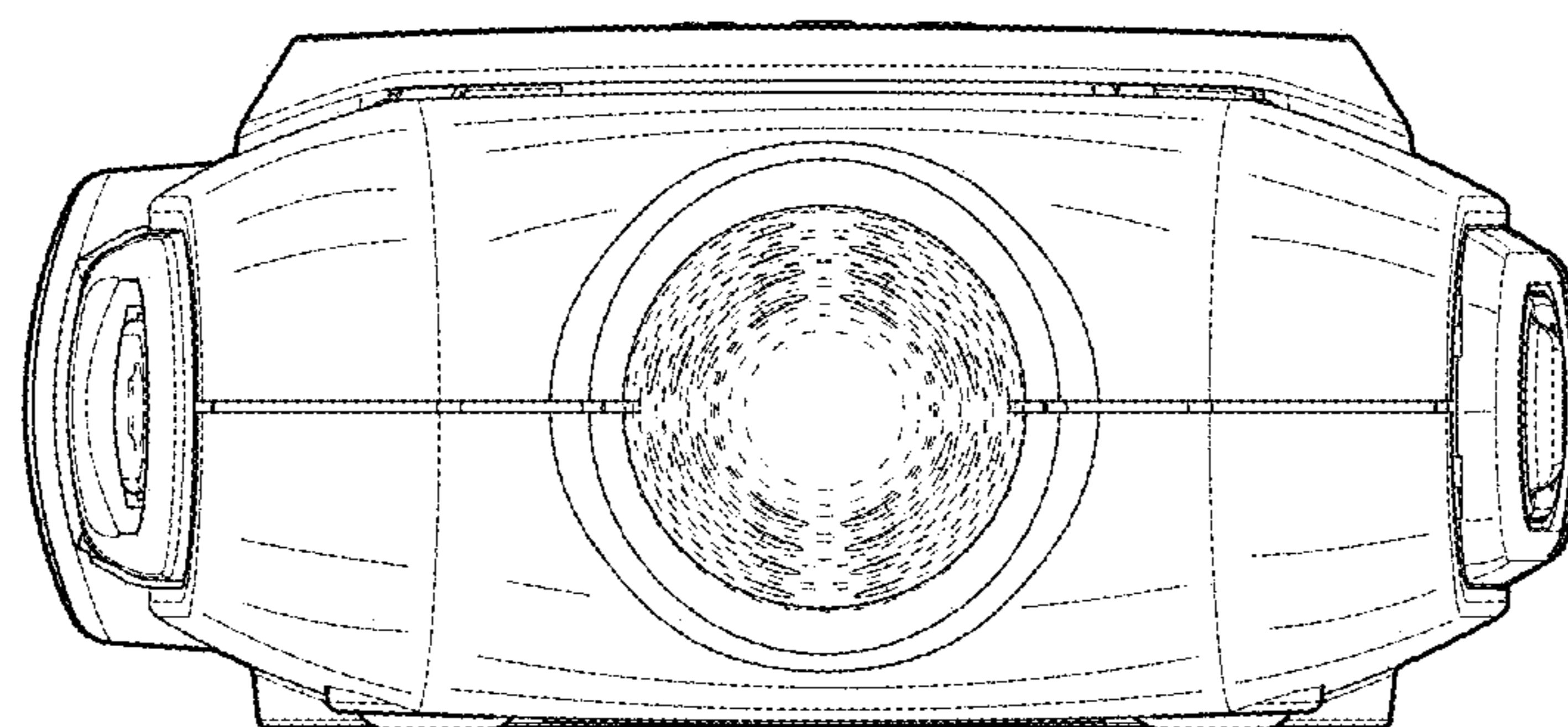


FIG. 8