



US00D730877S

(12) **United States Design Patent**
Harper

(10) **Patent No.:** **US D730,877 S**
(45) **Date of Patent:** **** Jun. 2, 2015**

- (54) **COMMUNICATIONS HEADSET**
- (71) Applicant: **Plantronics, Inc.**, Santa Cruz, CA (US)
- (72) Inventor: **Pierre Harper**, Santa Cruz, CA (US)
- (73) Assignee: **Plantronics, Inc.**, Santa Cruz, CA (US)
- (**) Term: **14 Years**
- (21) Appl. No.: **29/483,936**
- (22) Filed: **Mar. 4, 2014**

Related U.S. Application Data

- (63) Continuation-in-part of application No. 29/466,304, filed on Sep. 6, 2013, now abandoned.
- (51) **LOC (10) Cl.** **14-01**
- (52) **U.S. Cl.**
USPC **D14/223; D14/206**
- (58) **Field of Classification Search**
USPC D14/223, 205, 206; 181/129, 130, 135;
379/430, 431; 381/380, 381, 375;
455/90.3, 575.1
CPC H04R 25/00
See application file for complete search history.

(56) **References Cited**

U.S. PATENT DOCUMENTS

3,621,156	A *	11/1971	Kliwer	379/430
D357,921	S *	5/1995	Ming-Chin	D14/223
5,787,166	A *	7/1998	Ullman	379/430
D430,146	S *	8/2000	Lin	D14/223
D439,890	S *	4/2001	Skulley et al.	D14/223
D443,871	S *	6/2001	Hofstede et al.	D14/206
D460,960	S *	7/2002	Kao	D14/223
D464,943	S *	10/2002	Lai	D14/206
D467,908	S *	12/2002	Bey et al.	D14/223
D476,645	S *	7/2003	Padala et al.	D14/223
D478,574	S *	8/2003	Ming	D14/223
D482,348	S *	11/2003	Villaverde et al.	D14/223

D490,399	S *	5/2004	Kamo et al.	D14/206
D492,667	S *	7/2004	Skulley et al.	D14/223
6,760,459	B2 *	7/2004	Bae	381/375
6,819,762	B2 *	11/2004	Jones et al.	379/430
D504,887	S *	5/2005	Skulley	D14/223
D517,054	S *	3/2006	Yang	D14/223
D535,980	S *	1/2007	Bentley et al.	D14/225
7,162,280	B2 *	1/2007	Fukuda	455/575.1

(Continued)

FOREIGN PATENT DOCUMENTS

CN	3379367	7/2004
CN	3415491	12/2004

(Continued)

OTHER PUBLICATIONS

Evaluation Report of Design Patent, issued by State Intellectual Property Office of the People's Republic of China for Chinese Design Patent Registration No. ZL201430040931.5, on Dec. 16, 2014, no translation Feb. 9, 2015.

Primary Examiner — Paula Greene

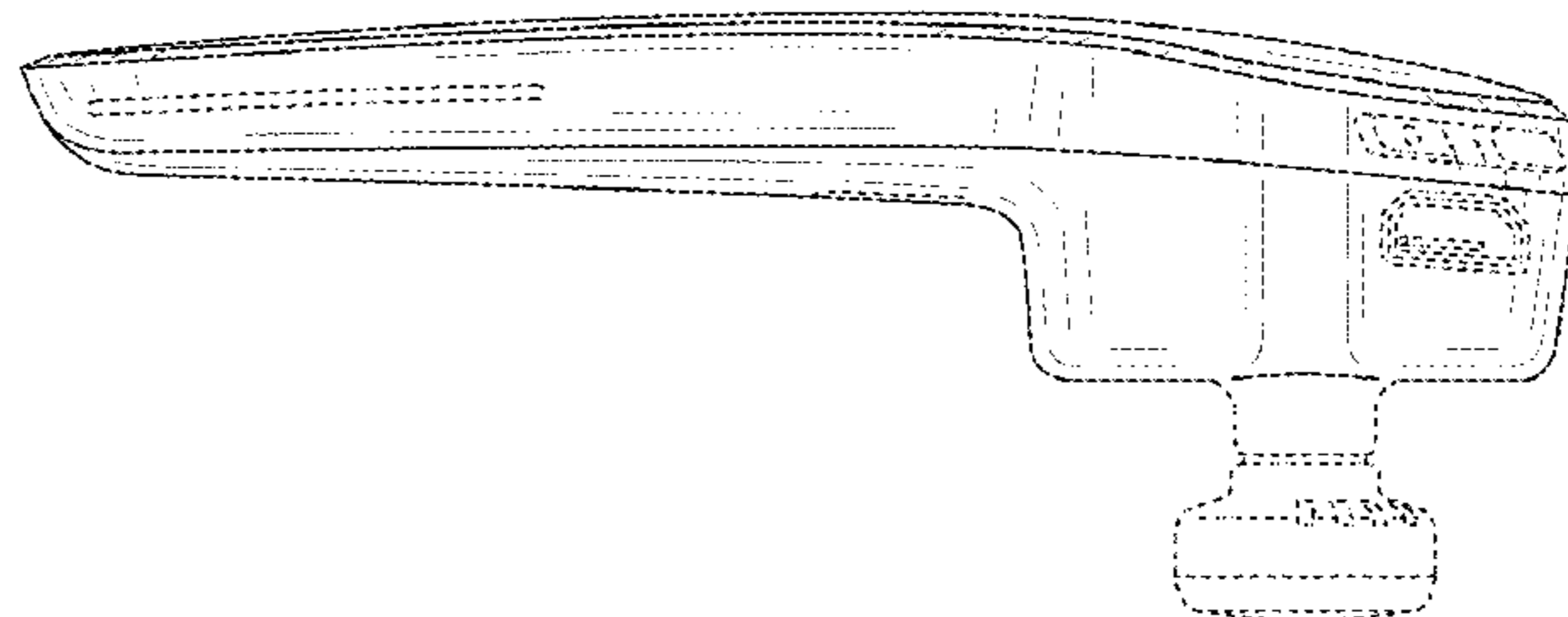
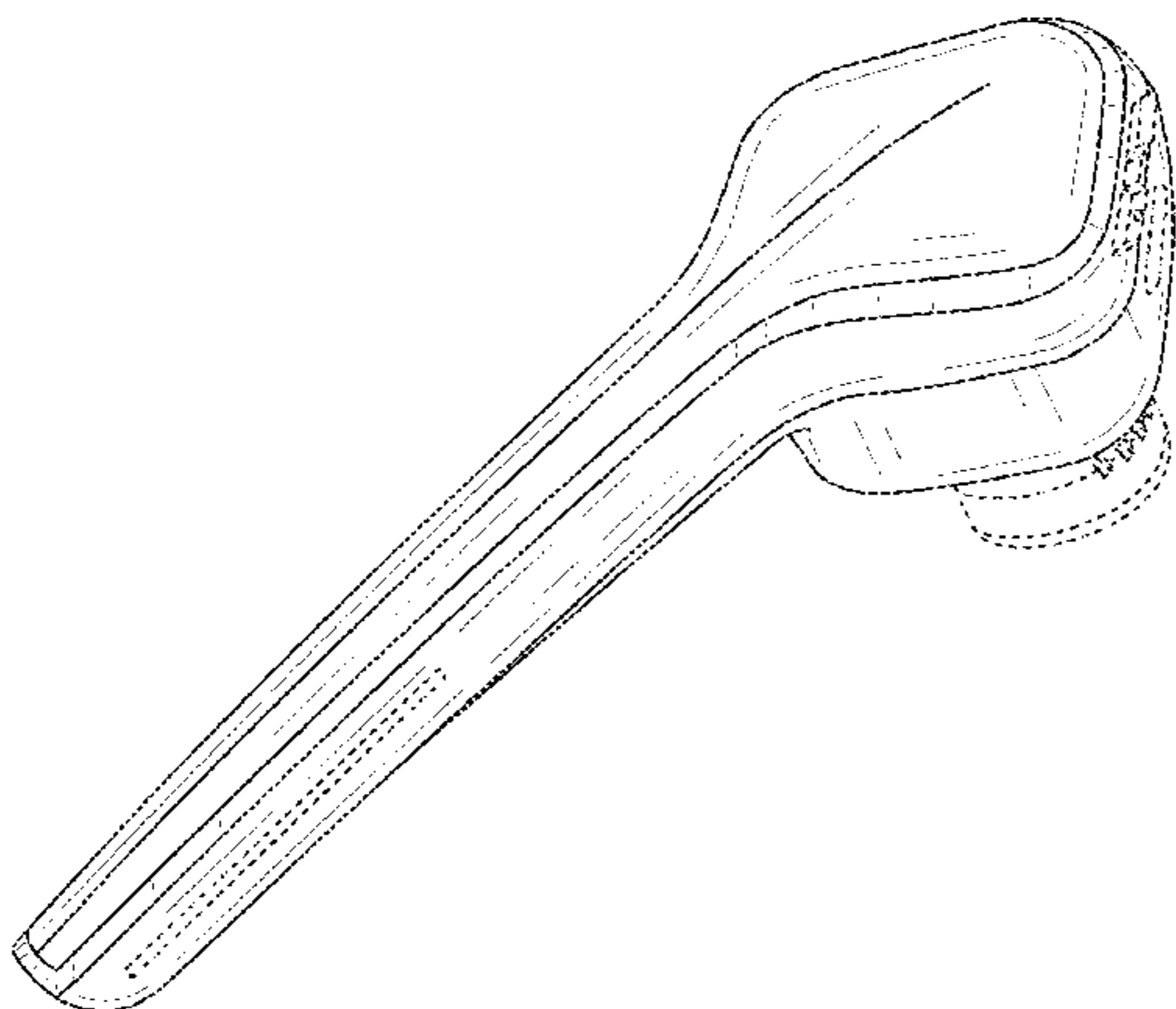
(57) **CLAIM**

The ornamental design for a communications headset, as shown and described.

DESCRIPTION

FIG. 1 is a perspective view of a communications headset showing my new design;
FIG. 2 is a front view thereof;
FIG. 3 is a back view thereof;
FIG. 4 is a right side view thereof;
FIG. 5 is a left side view thereof;
FIG. 6 is a top view thereof; and,
FIG. 7 is a bottom view thereof.
The broken lines showing the unclaimed features form no part of the claimed design.

1 Claim, 3 Drawing Sheets



(56)

References Cited

FOREIGN PATENT DOCUMENTS

U.S. PATENT DOCUMENTS

D555,153 S *	11/2007	Wilson et al.	D14/223
D569,842 S *	5/2008	Yang	D14/205
D581,900 S	12/2008	Caddes et al.	
D598,895 S *	8/2009	Bentley et al.	D14/206
7,580,541 B2 *	8/2009	Hlas et al.	381/381
D604,718 S *	11/2009	Paterson	D14/206
D634,300 S *	3/2011	Yang et al.	D14/206
D640,232 S *	6/2011	Brandis	D14/206
D653,649 S *	2/2012	Yang et al.	D14/206
D717,767 S *	11/2014	Mistry et al.	D14/206

CN	3541607	7/2006
CN	300824992	9/2008
CN	301039491	10/2009
CN	301451940 S	1/2011
CN	301672154 S	9/2011
CN	302242599 S	12/2012
CN	302326964 S	2/2013
CN	302326965 S	2/2013
JP	D1998-106924	3/2000
KR	30-2007-0039929	3/2008

* cited by examiner

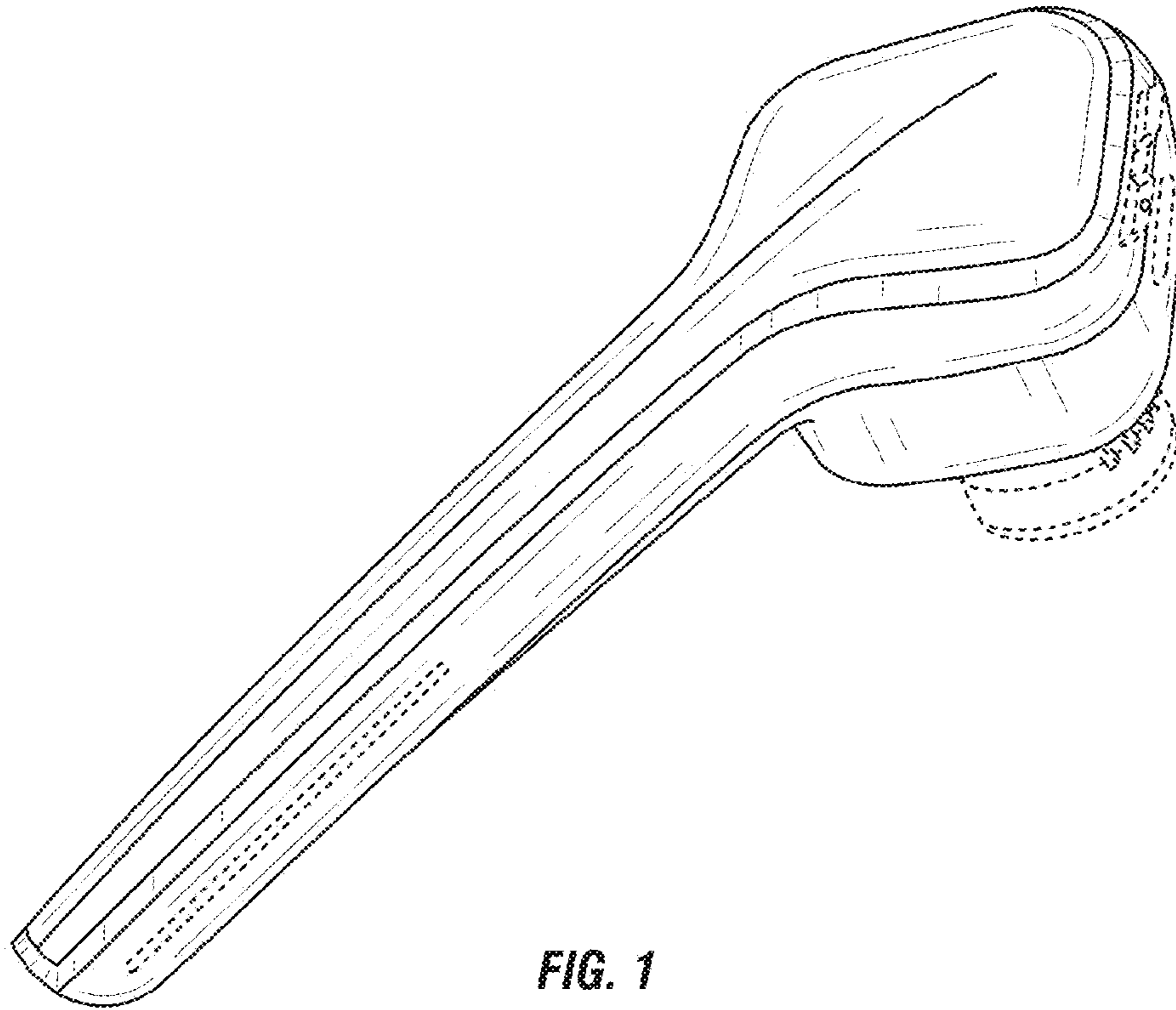


FIG. 1

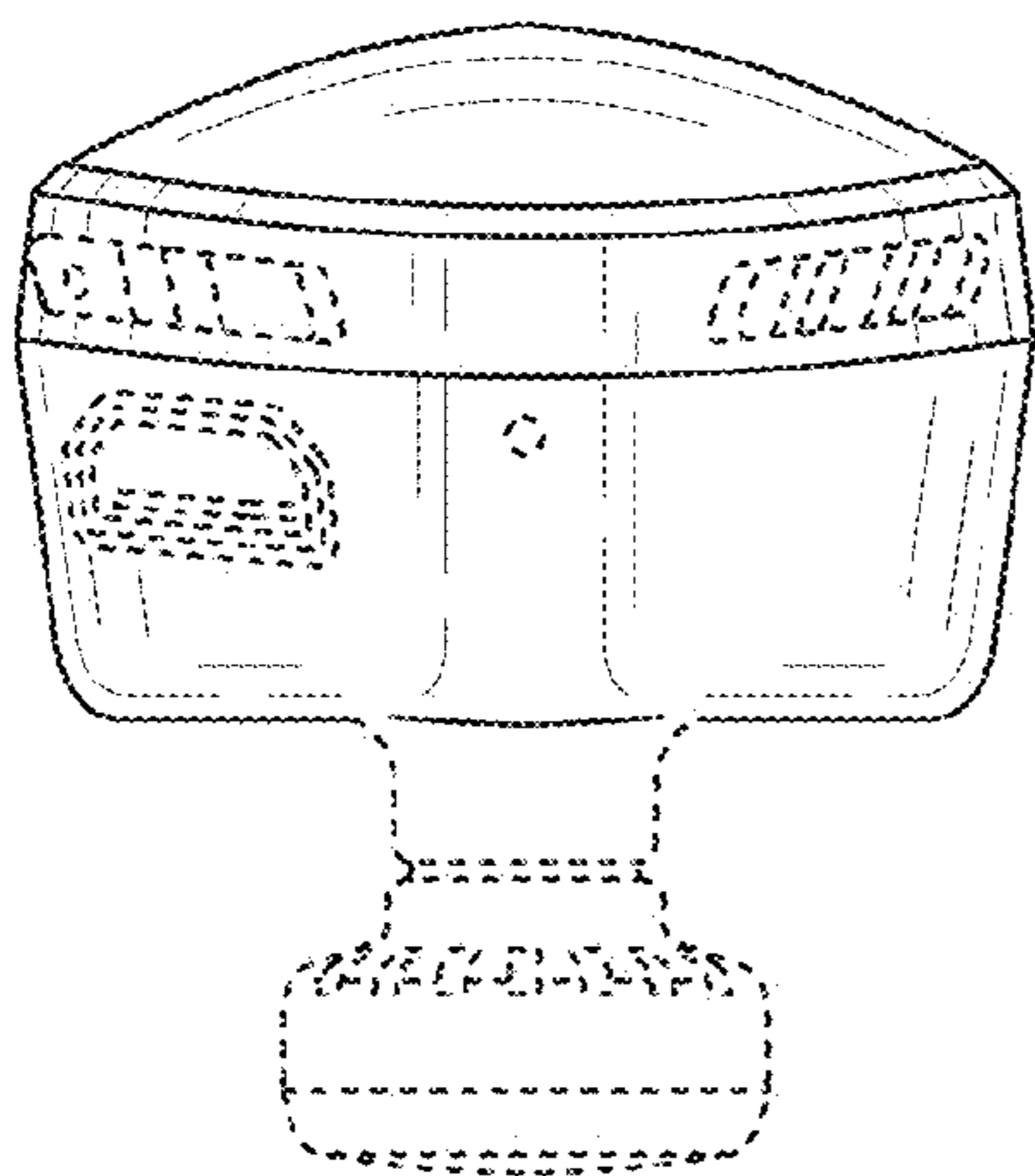


FIG. 2

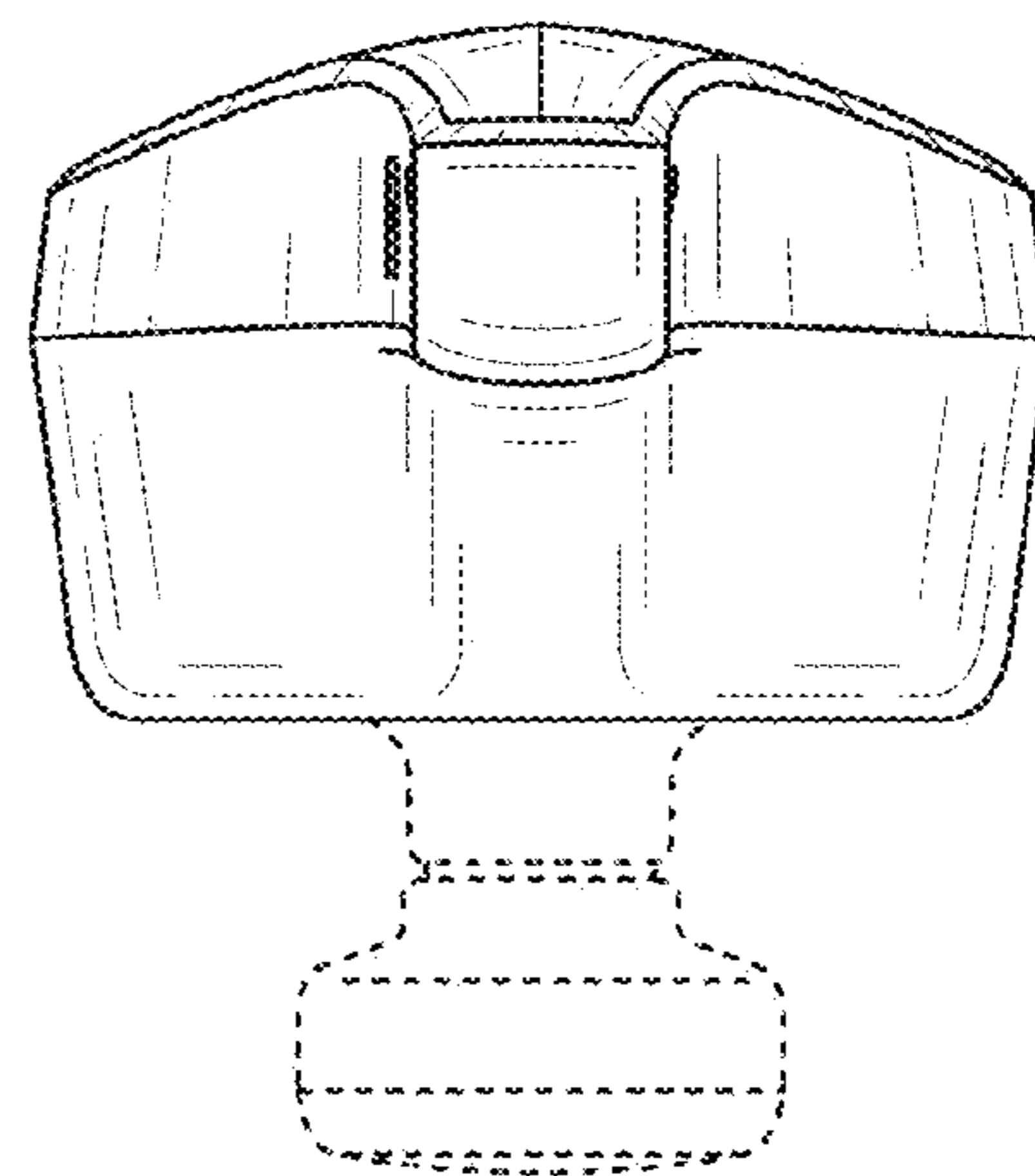


FIG. 3

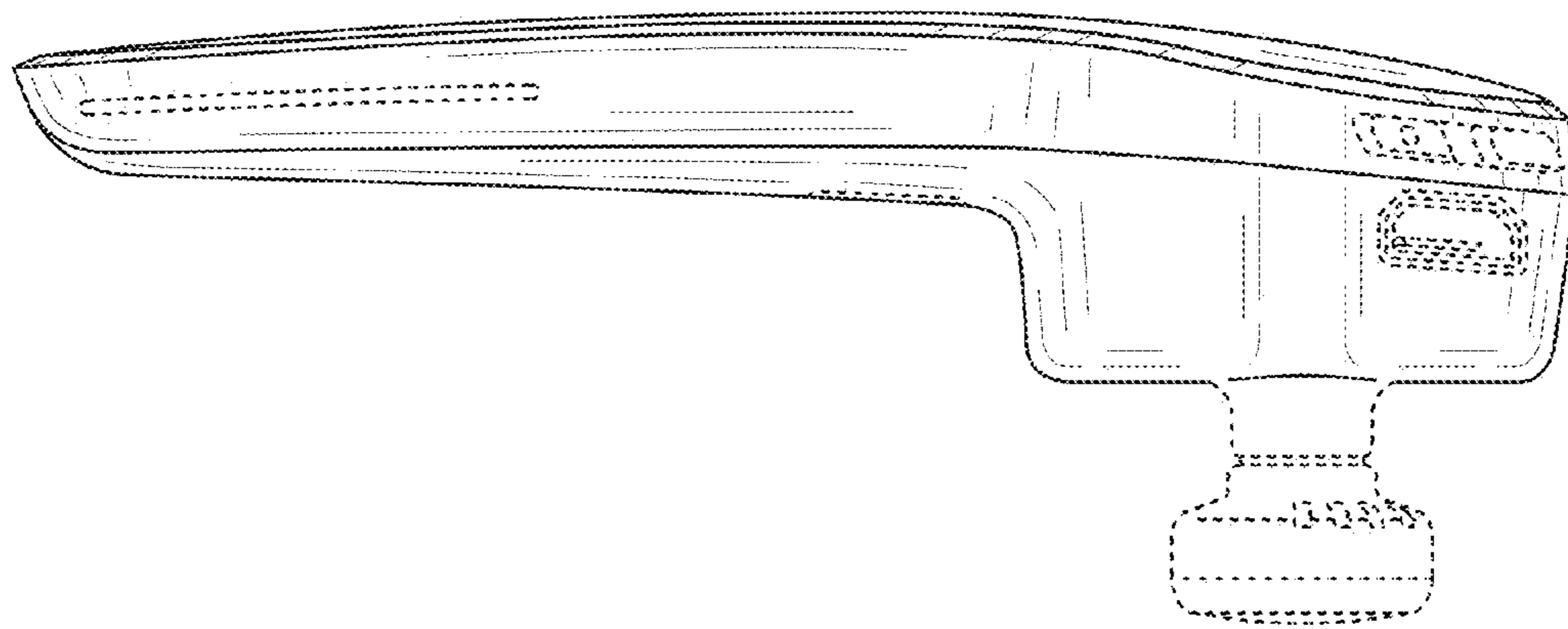


FIG. 4

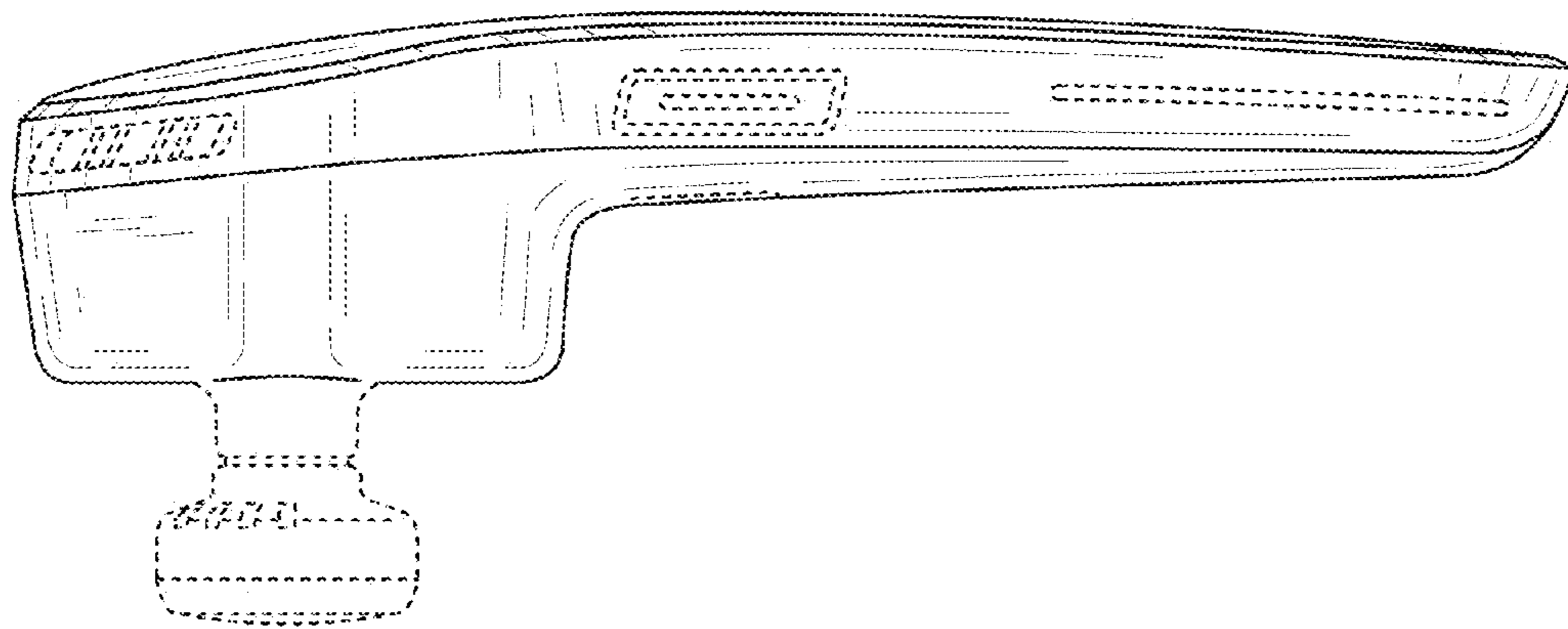


FIG. 5

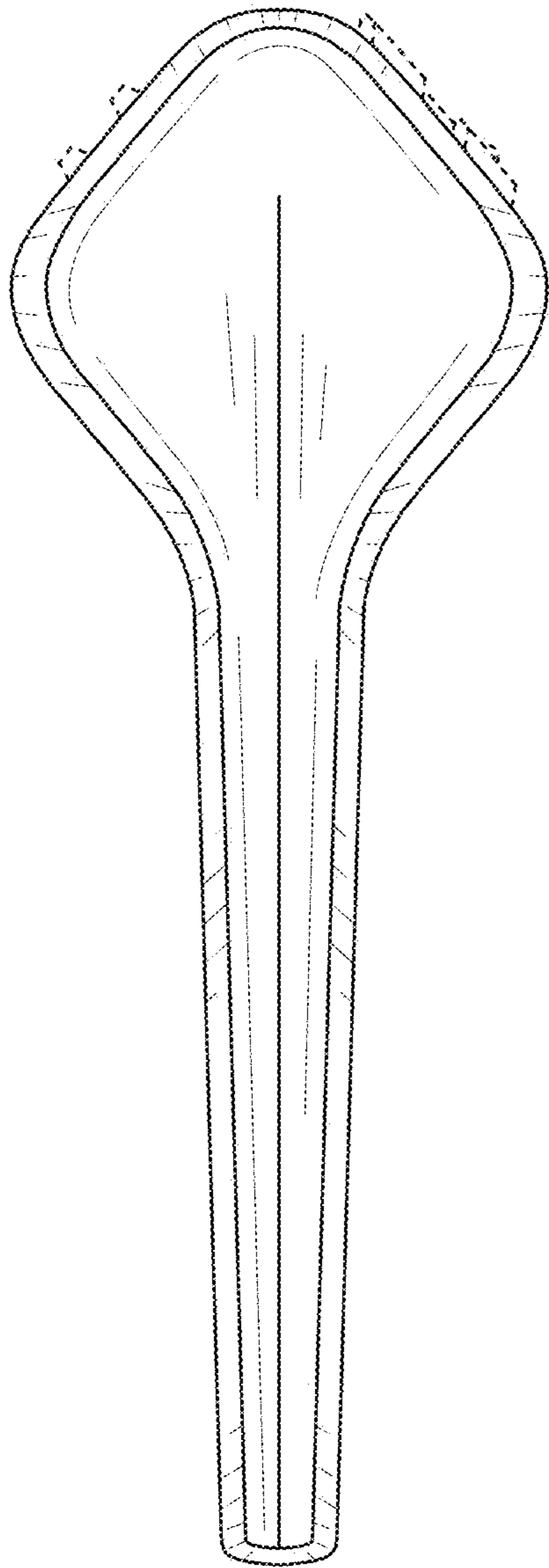


FIG. 6

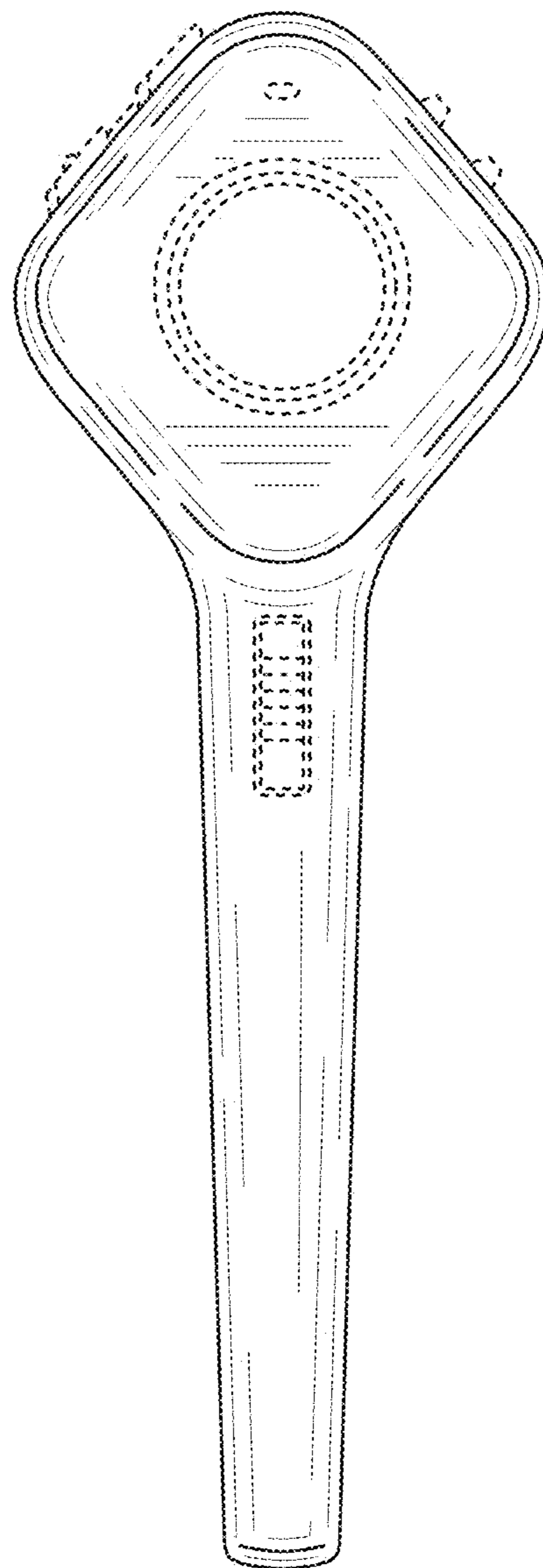


FIG. 7