



US00D730873S

(12) **United States Design Patent**  
**Petterson et al.**

(10) **Patent No.:** **US D730,873 S**  
(45) **Date of Patent:** **\*\* Jun. 2, 2015**

- (54) **IN-LINE AUDIO CONTROLLER**
- (71) Applicant: **X-1 Audio, Inc.**, San Diego, CA (US)
- (72) Inventors: **Carl Petterson**, San Diego, CA (US);  
**Peter Dirksing**, San Diego, CA (US)
- (73) Assignee: **X-1 Audio, Inc.**, San Diego, CA (US)
- (\*\*) Term: **14 Years**
- (21) Appl. No.: **29/448,249**
- (22) Filed: **Mar. 11, 2013**
- (51) **LOC (10) Cl.** ..... **14-03**
- (52) **U.S. Cl.**  
USPC ..... **D14/218**
- (58) **Field of Classification Search**  
USPC ..... D13/168; D14/217, 218, 205, 206, 455;  
D21/566; 345/169; 348/14.05, 114,  
348/211.99, 734; 455/92, 95, 128,  
455/151.1-151.4, 352, 355  
See application file for complete search history.

- D530,680 S \* 10/2006 Fox et al. .... D13/168
- D571,737 S \* 6/2008 Koury et al. .... D13/168
- D614,167 S \* 4/2010 Brickstad ..... D14/205
- D614,168 S \* 4/2010 Rogers et al. .... D14/206
- D633,447 S \* 3/2011 Schaal et al. .... D13/168

\* cited by examiner

*Primary Examiner* — Stella Reid

*Assistant Examiner* — Khawaja Anwar

(74) *Attorney, Agent, or Firm* — Knobbe, Martens, Olson & Bear LLP

(57) **CLAIM**

The ornamental design for an in-line audio controller, as shown and described.

**DESCRIPTION**

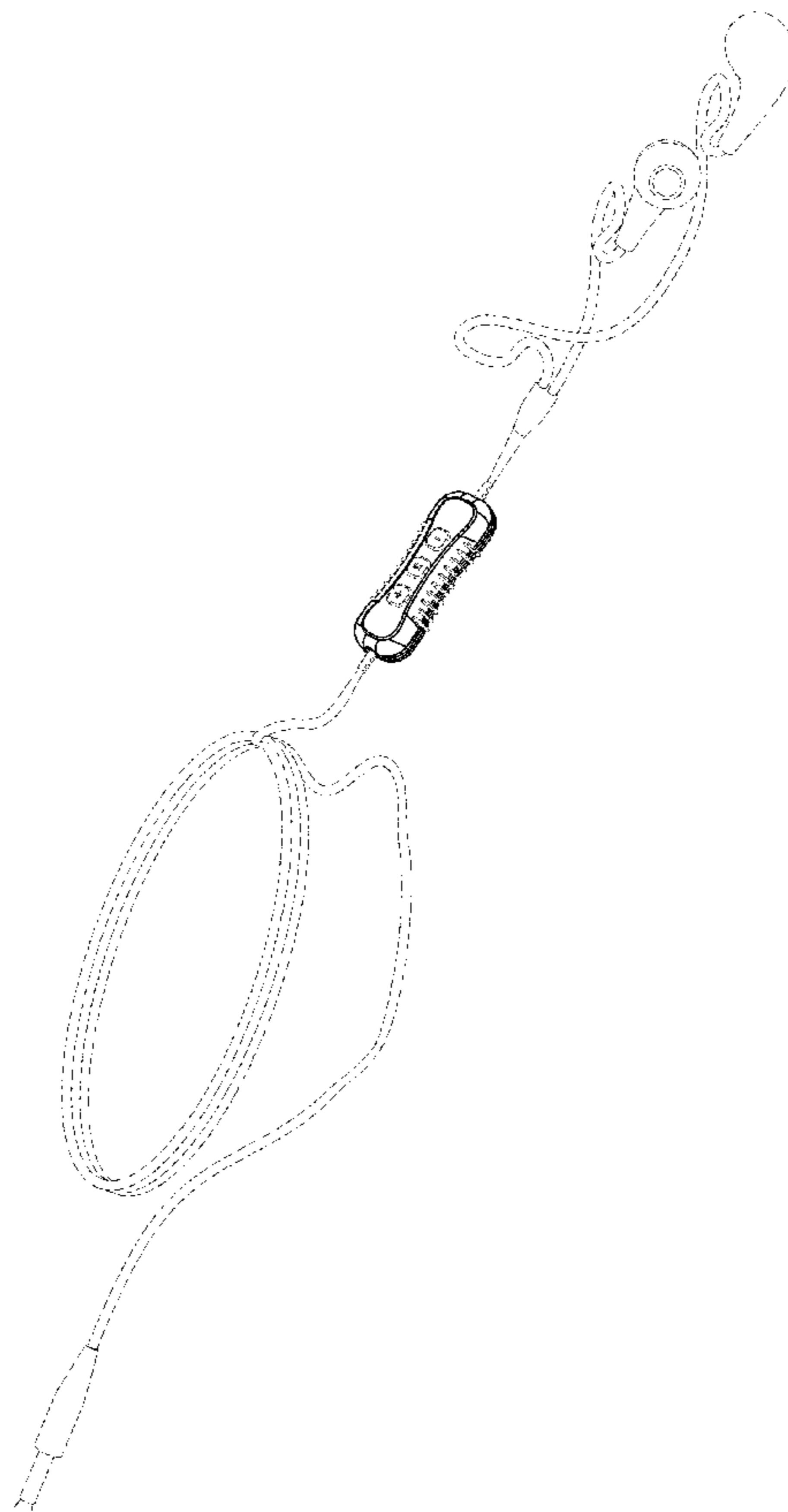
FIG. 1 is a perspective view of an in-line audio controller, showing our new design;  
 FIG. 2 is a top view thereof;  
 FIG. 3 is a bottom view thereof;  
 FIG. 4 is a left side view thereof;  
 FIG. 5 is a right side view thereof;  
 FIG. 6 is a top side view thereof; and,  
 FIG. 7 is a bottom side view thereof.  
 The broken lines in the drawings show unclaimed subject matter only and form no part of the claimed design.

(56) **References Cited**

U.S. PATENT DOCUMENTS

- D326,655 S \* 6/1992 Iribe ..... D14/192
- D334,043 S \* 3/1993 Taniguchi et al. .... D14/218

**1 Claim, 6 Drawing Sheets**



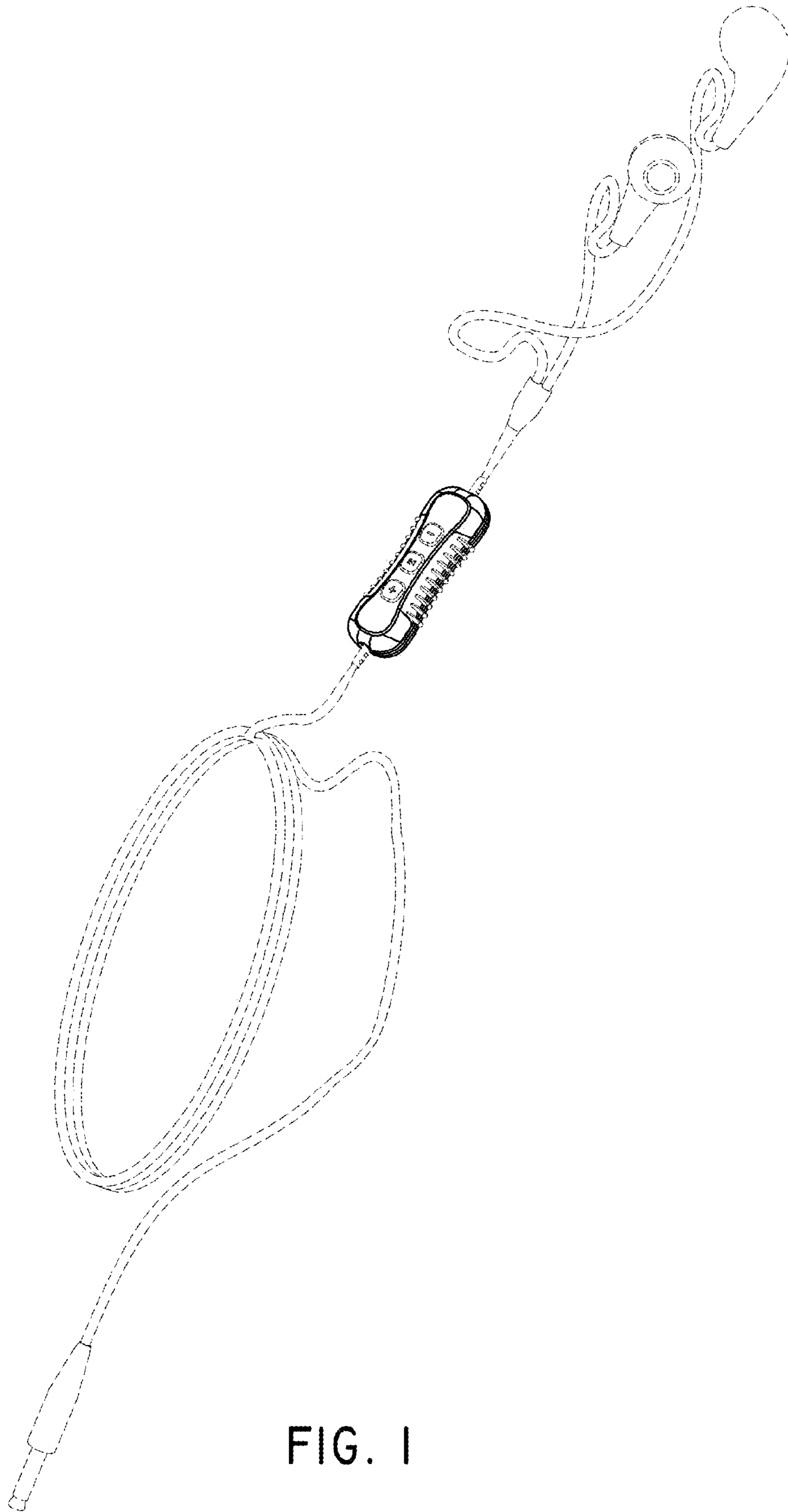


FIG. 1

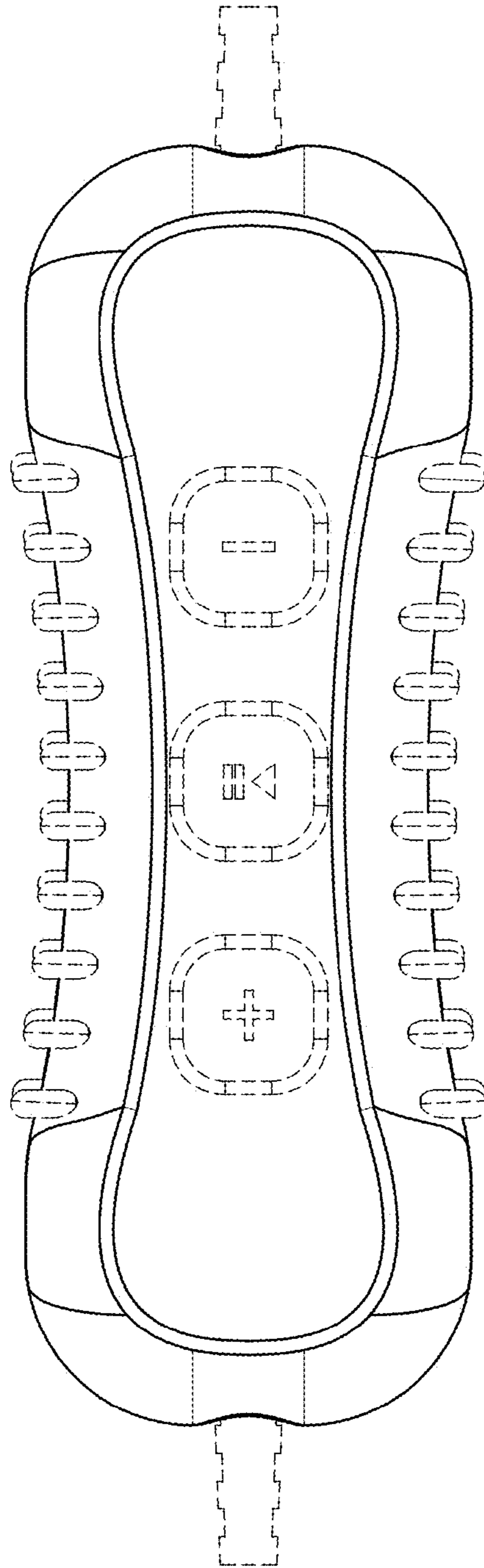


FIG. 2

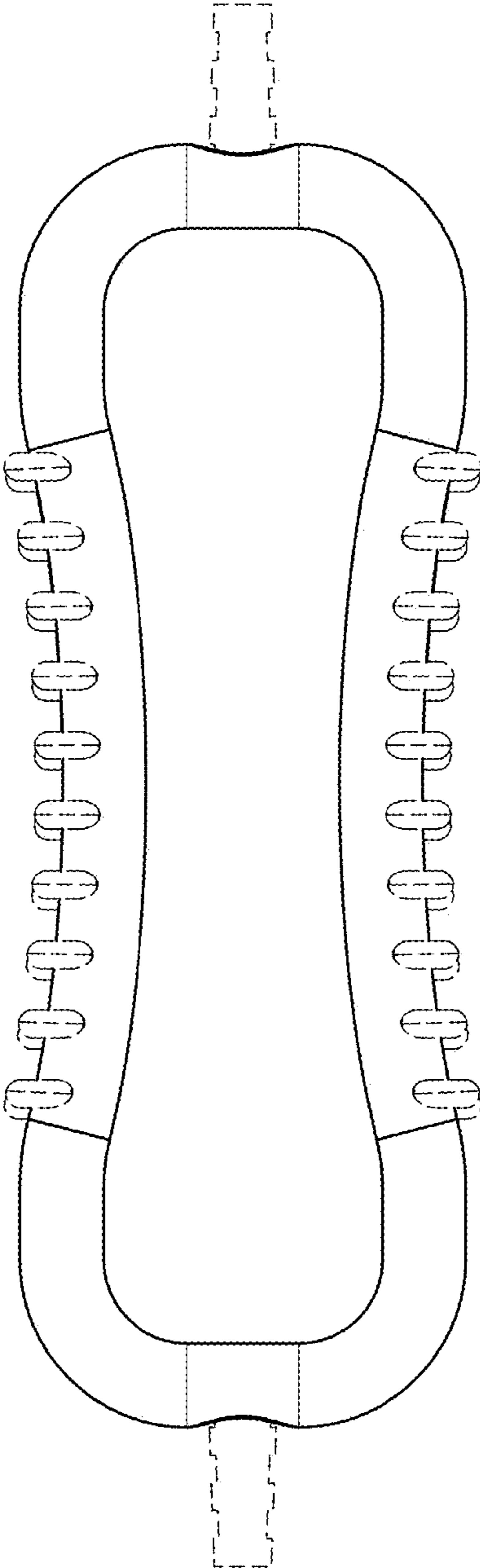


FIG. 3

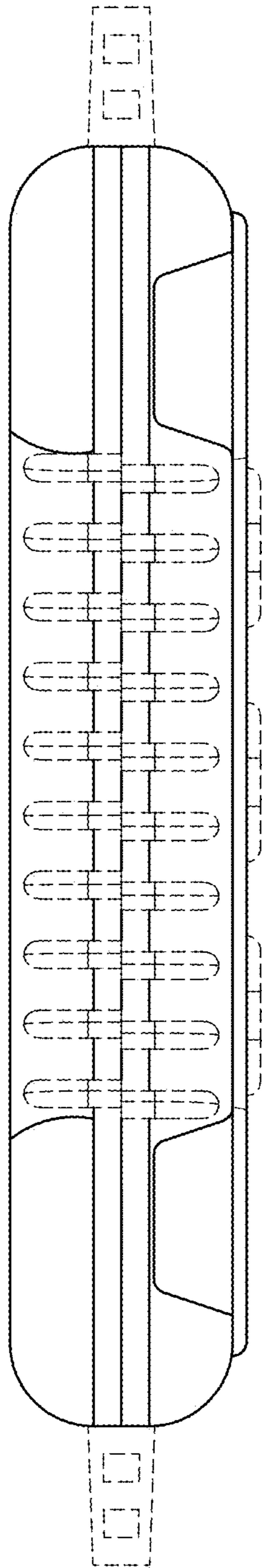


FIG. 4

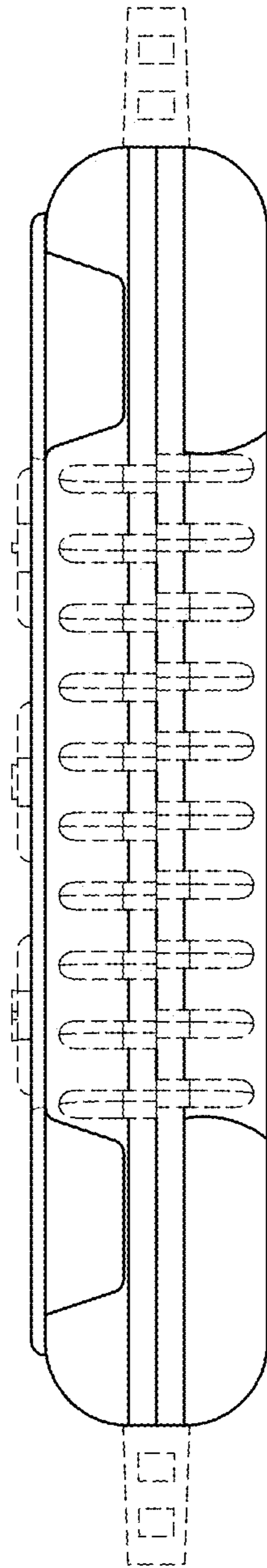


FIG. 5

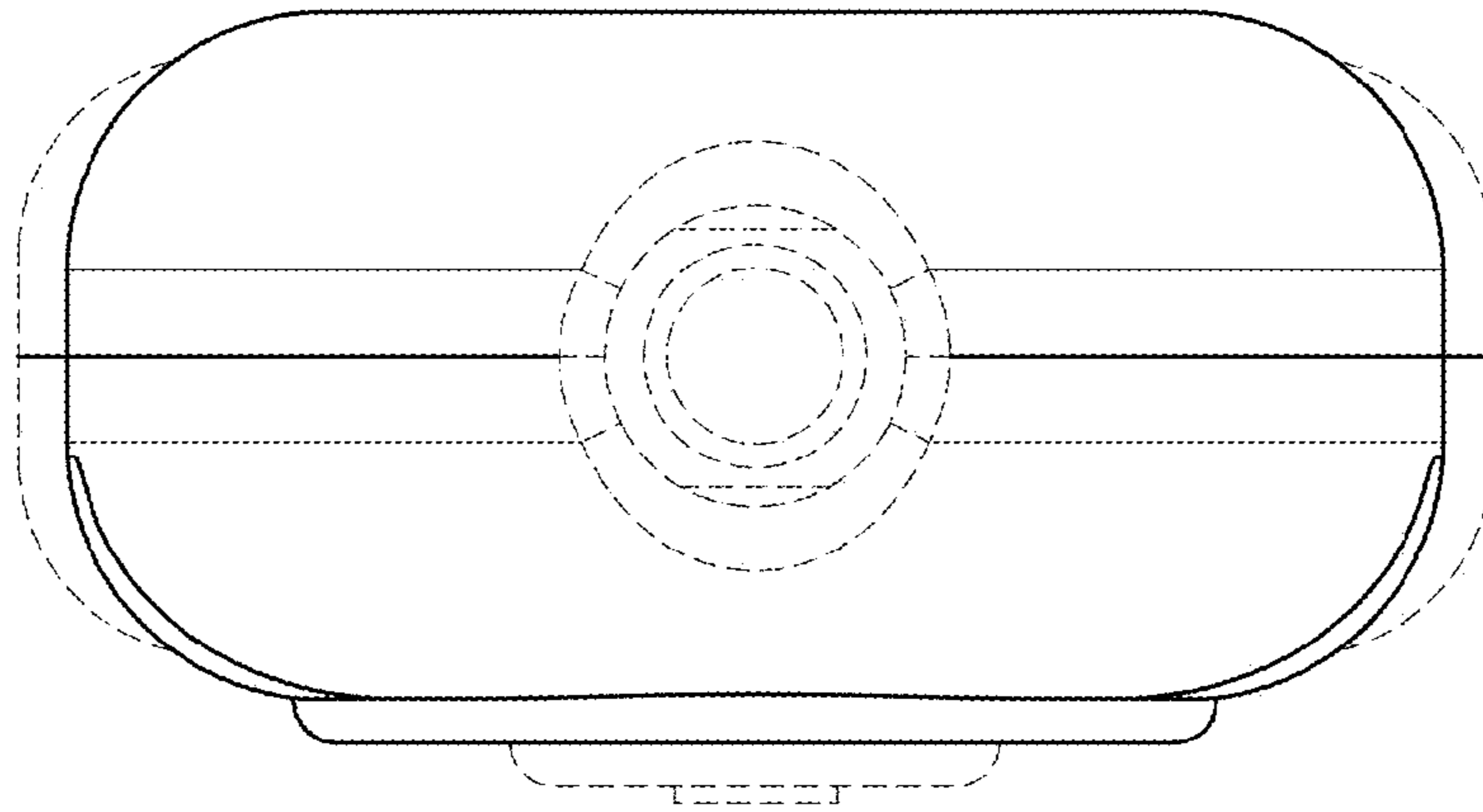


FIG. 6

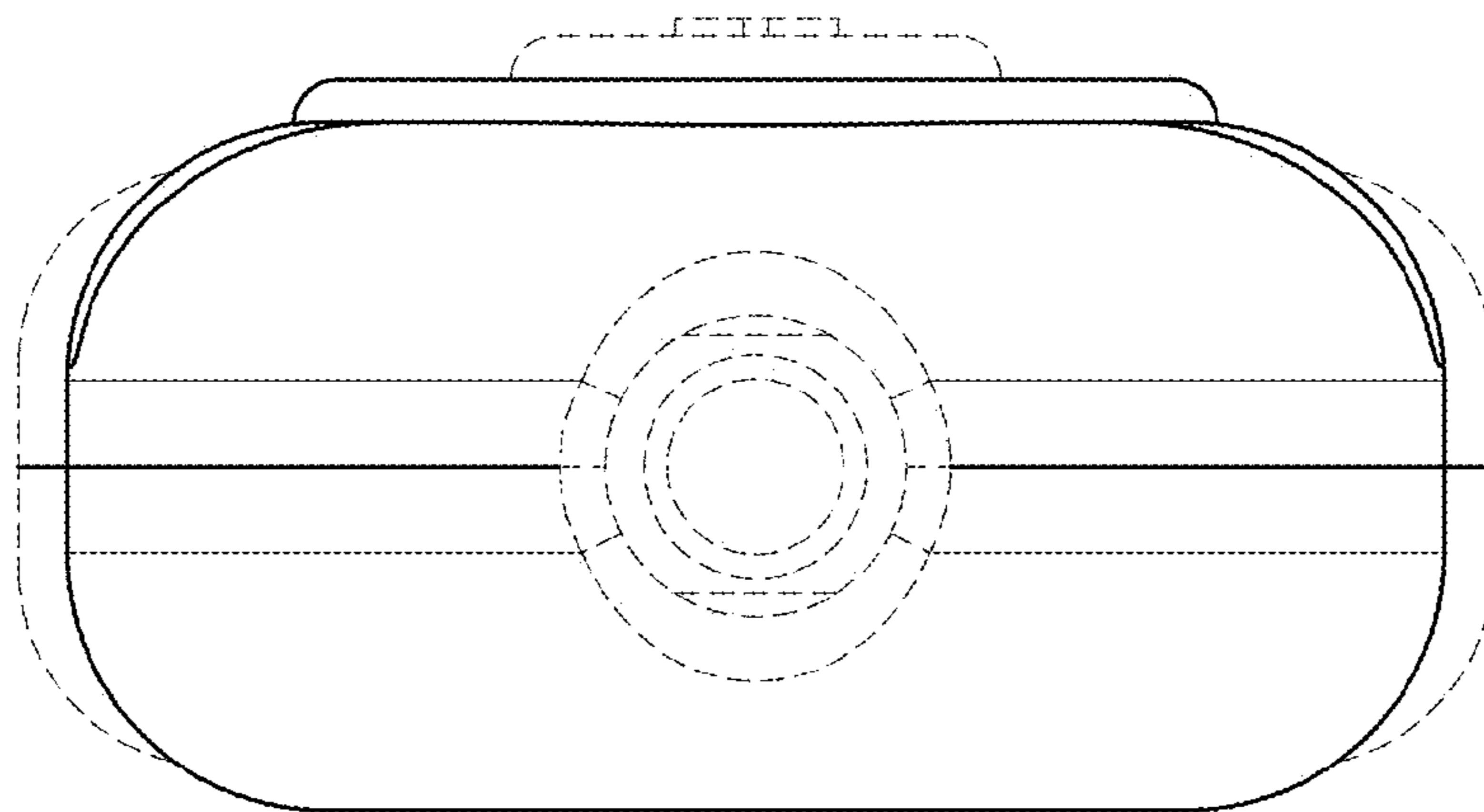


FIG. 7

UNITED STATES PATENT AND TRADEMARK OFFICE  
**CERTIFICATE OF CORRECTION**

PATENT NO. : D730,873 S  
APPLICATION NO. : 29/448249  
DATED : June 2, 2015  
INVENTOR(S) : Carl Pettersen and Peter Dirksing

Page 1 of 1

It is certified that error appears in the above-identified patent and that said Letters Patent is hereby corrected as shown below:

On the title page, item (12) and item (72) Inventors:, change "Carl Petterson" to --Carl Pettersen--.

Signed and Sealed this  
Eighth Day of March, 2016



Michelle K. Lee  
*Director of the United States Patent and Trademark Office*