



US00D730872S

(12) **United States Design Patent**  
**Wan**

(10) **Patent No.:** **US D730,872 S**  
(45) **Date of Patent:** **\*\* Jun. 2, 2015**

(54) **SHOWERHEAD AUDIO SPEAKER**

H04R 2499/15; H04S 3/00; H04S 7/30  
See application file for complete search history.

(71) Applicant: **AS IP Holdco, LLC**, Piscataway, NJ  
(US)

(56) **References Cited**

(72) Inventor: **Lee Chung Wan**, Kaiping (CN)

U.S. PATENT DOCUMENTS

(73) Assignee: **AS IP Holdco, LLC**, Piscataway, NJ  
(US)

D537,072 S *	2/2007	Kim et al.	.....	D14/215
D557,208 S *	12/2007	Solland	.....	D13/108
D635,552 S *	4/2011	Yokoyama	.....	D14/216
D645,352 S *	9/2011	Bore	.....	D9/504
D678,468 S *	3/2013	Hanna	.....	D23/229
D681,781 S *	5/2013	Cutler et al.	.....	D23/229
D707,794 S *	6/2014	Hanna	.....	D23/229
D717,770 S *	11/2014	Yamamoto	.....	D14/216
D719,240 S *	12/2014	Hanna et al.	.....	D23/229

(\*\*) Term: **14 Years**

(21) Appl. No.: **29/485,317**

\* cited by examiner

(22) Filed: **Mar. 18, 2014**

(51) **LOC (10) Cl.** ..... **14-03**

*Primary Examiner* — Keli L Hill

(52) **U.S. Cl.**

(74) *Attorney, Agent, or Firm* — Kramer Levin Naftalis & Frankel LLP

USPC ..... **D14/216; D23/229**

(58) **Field of Classification Search**

USPC ..... D14/167, 168, 170–172, 188, 194–196,  
D14/204, 207, 209.1, 210–216, 219, 221,  
D14/222, 224, 496; 181/143, 144, 147, 148,  
181/150, 153, 157, 198, 199; 381/300–303,  
381/306, 332, 333, 336, 345, 361–364,  
381/386–388; 369/6–12; D23/213, 223,  
D23/229, 230

(57) **CLAIM**

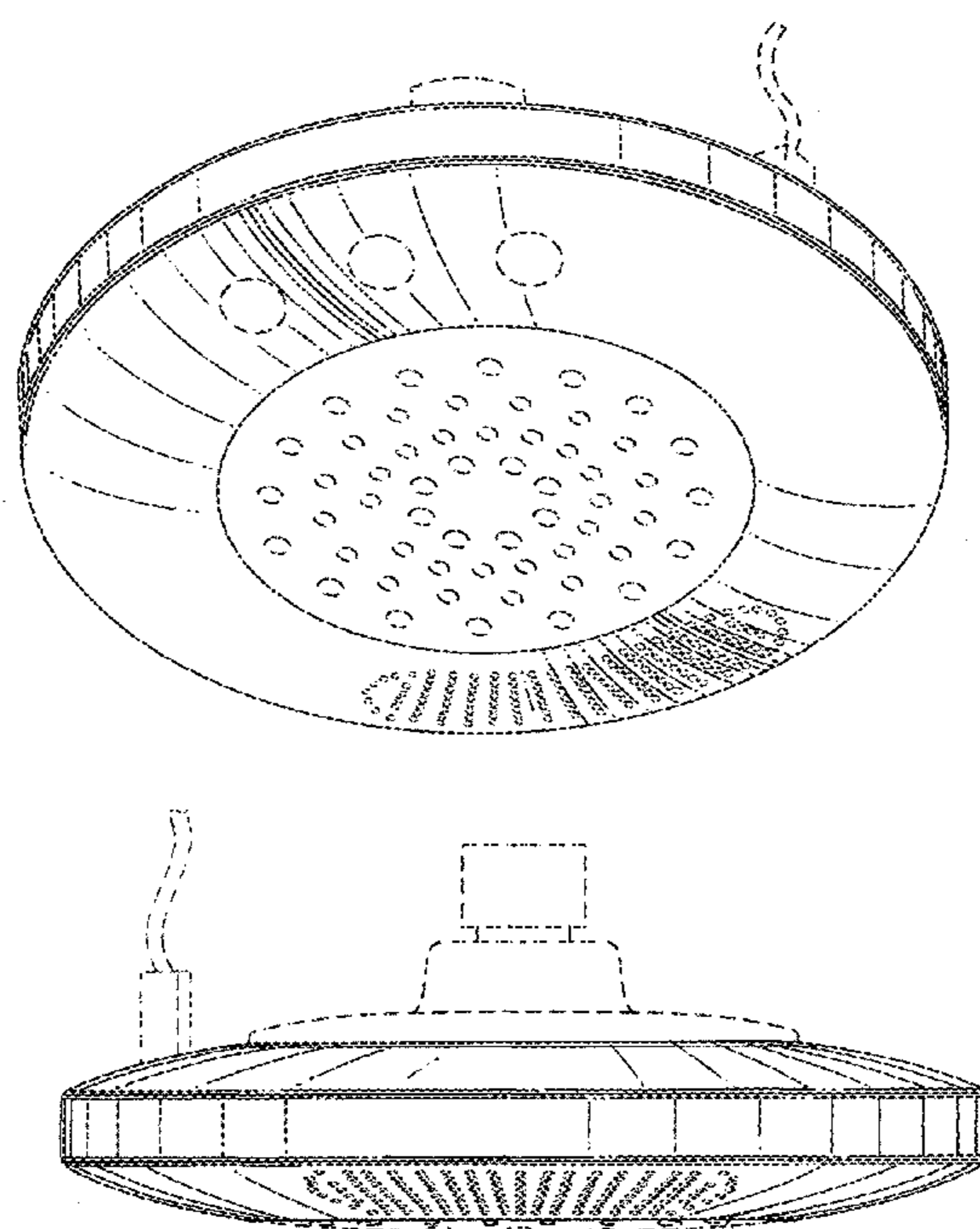
The ornamental design for a showerhead audio speaker, as shown and described.

CPC .... B60R 11/0217; G06F 1/1688; H04M 1/03;  
H04M 1/035; H04R 1/02; H04R 1/06; H04R  
1/021; H04R 1/025; H04R 1/026; H04R  
1/028; H04R 1/105; H04R 1/323; H04R  
1/403; H04R 1/2803; H04R 1/2834; H04R  
5/02; H04R 7/20; H04R 9/06; H04R 9/025;  
H04R 2201/021; H04R 2400/00; H04R  
2400/07; H04R 2499/11; H04R 2499/13;

**DESCRIPTION**

FIG. 1 is a front, right side and bottom perspective view of a showerhead audio speaker showing the new design; FIG. 2 is a top plan view thereof; FIG. 3 is a front elevational view thereof; FIG. 4 is a rear elevational view thereof; and, FIG. 5 is a bottom plan view thereof. The features shown in broken lines form no part of the claimed design.

**1 Claim, 5 Drawing Sheets**



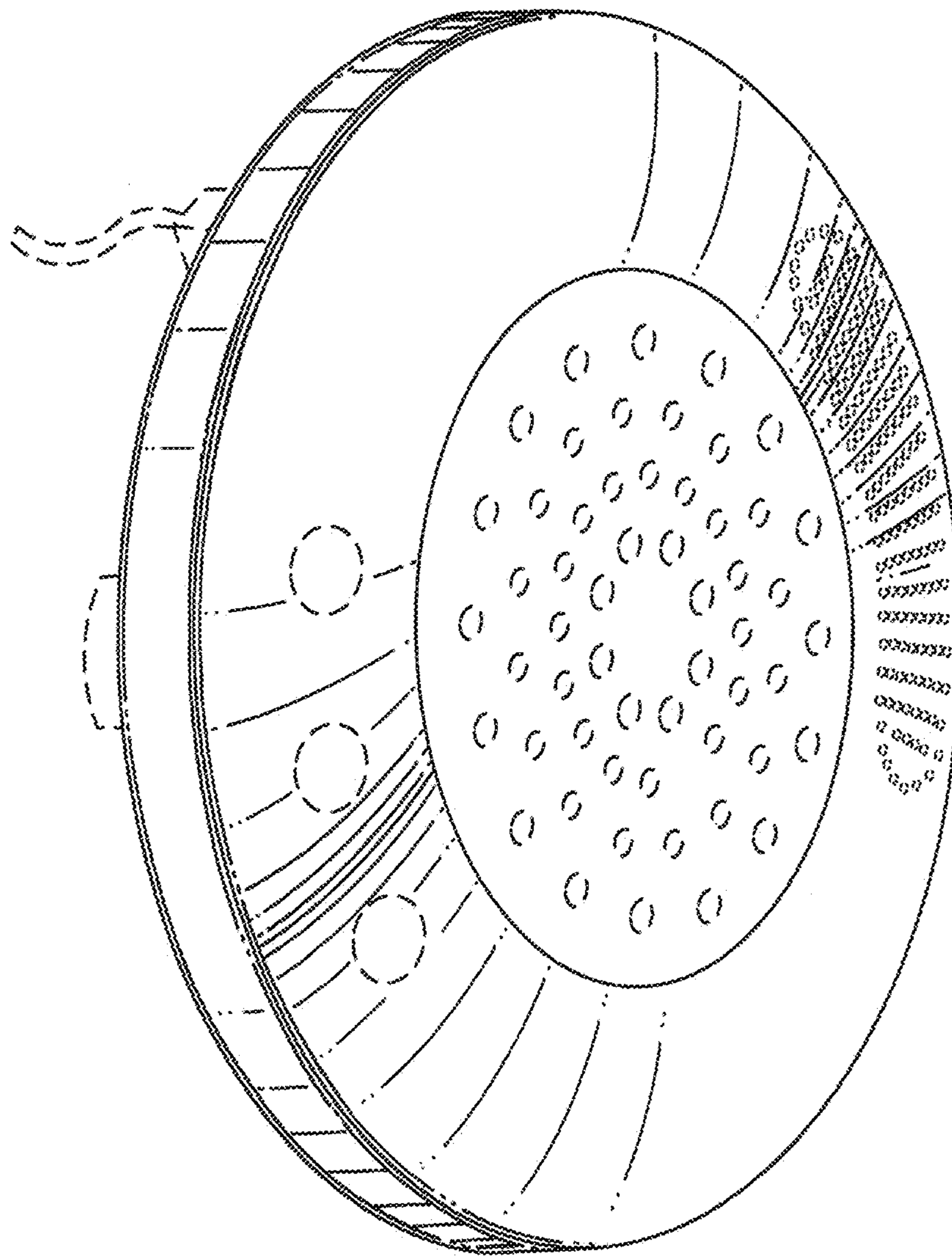


FIG. 1

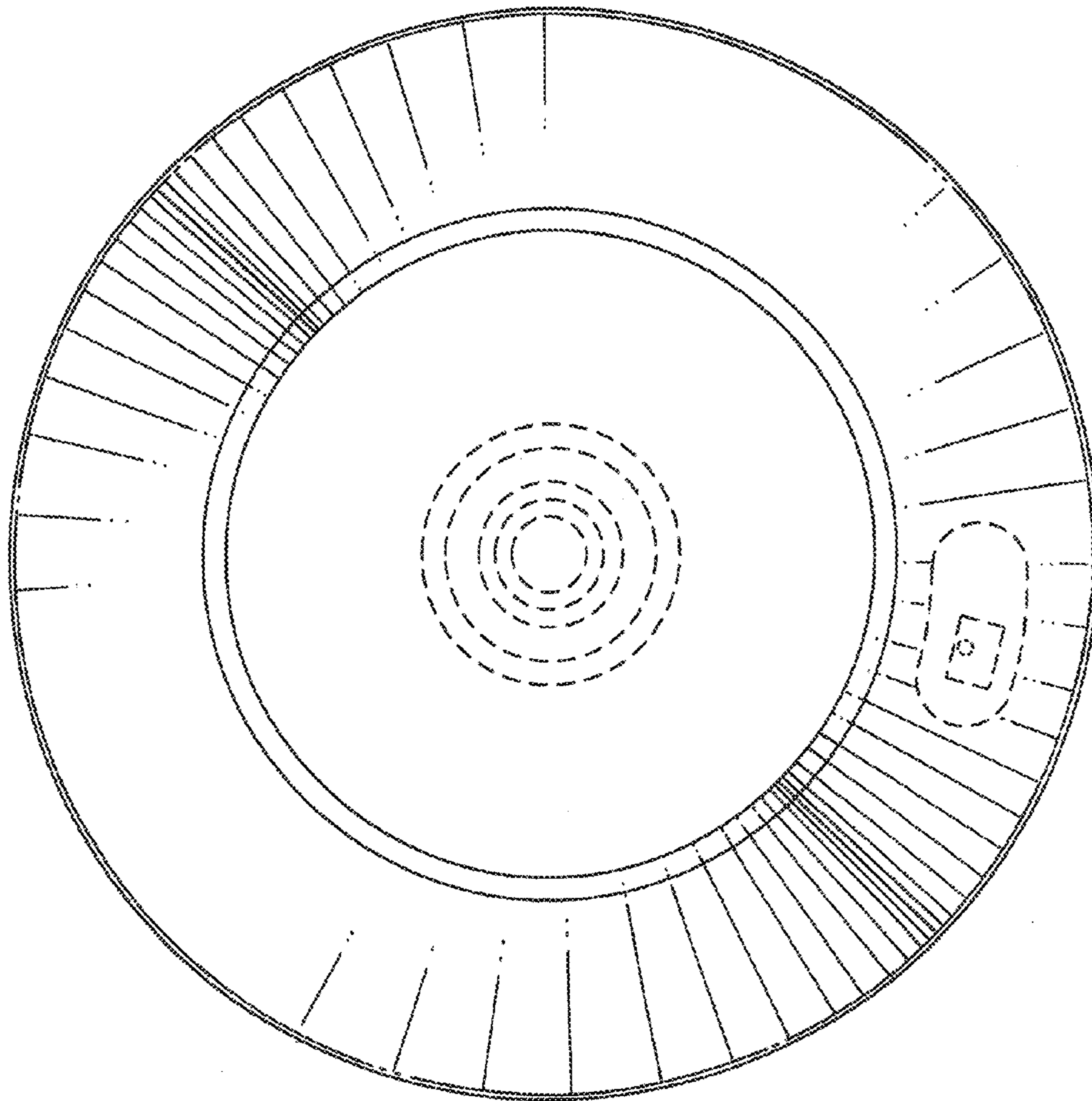


FIG. 2

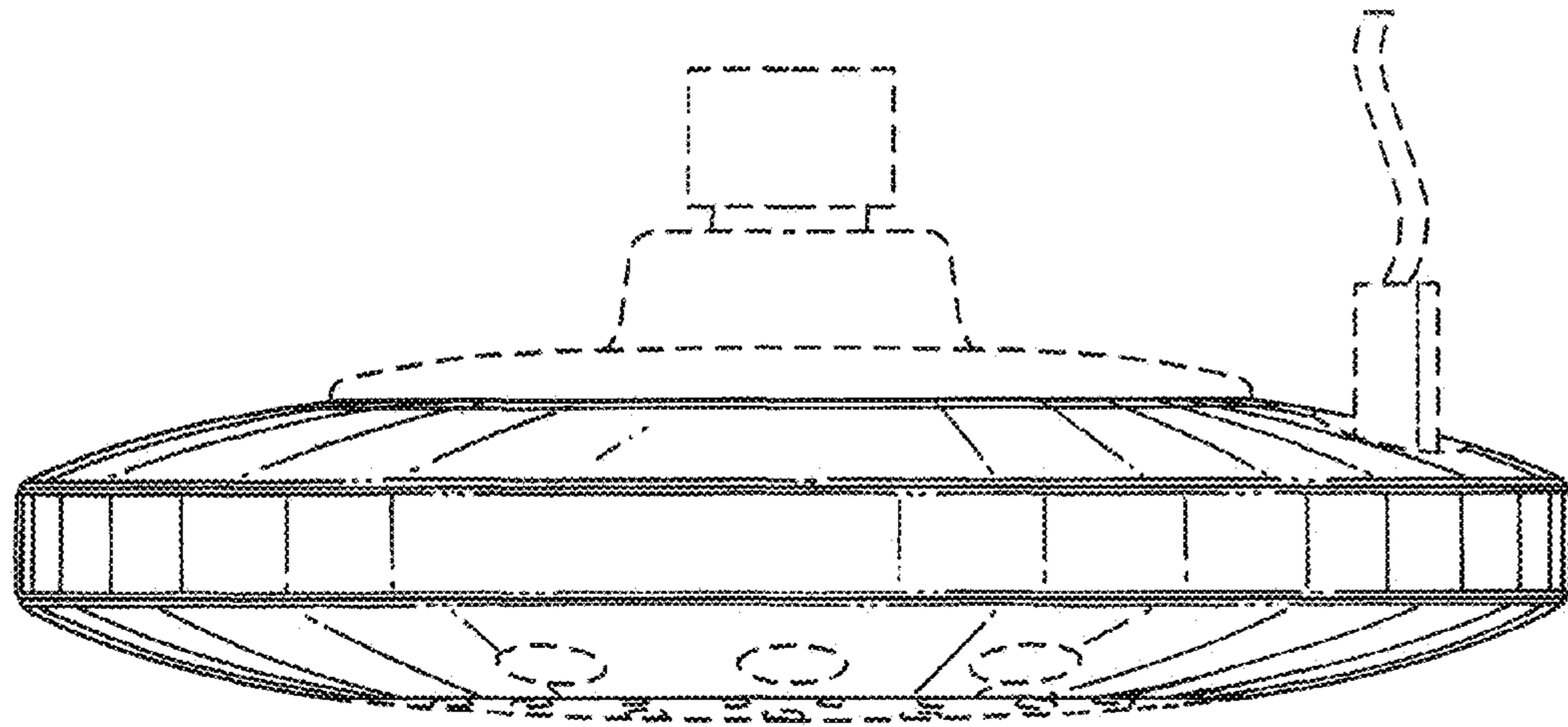


FIG. 3

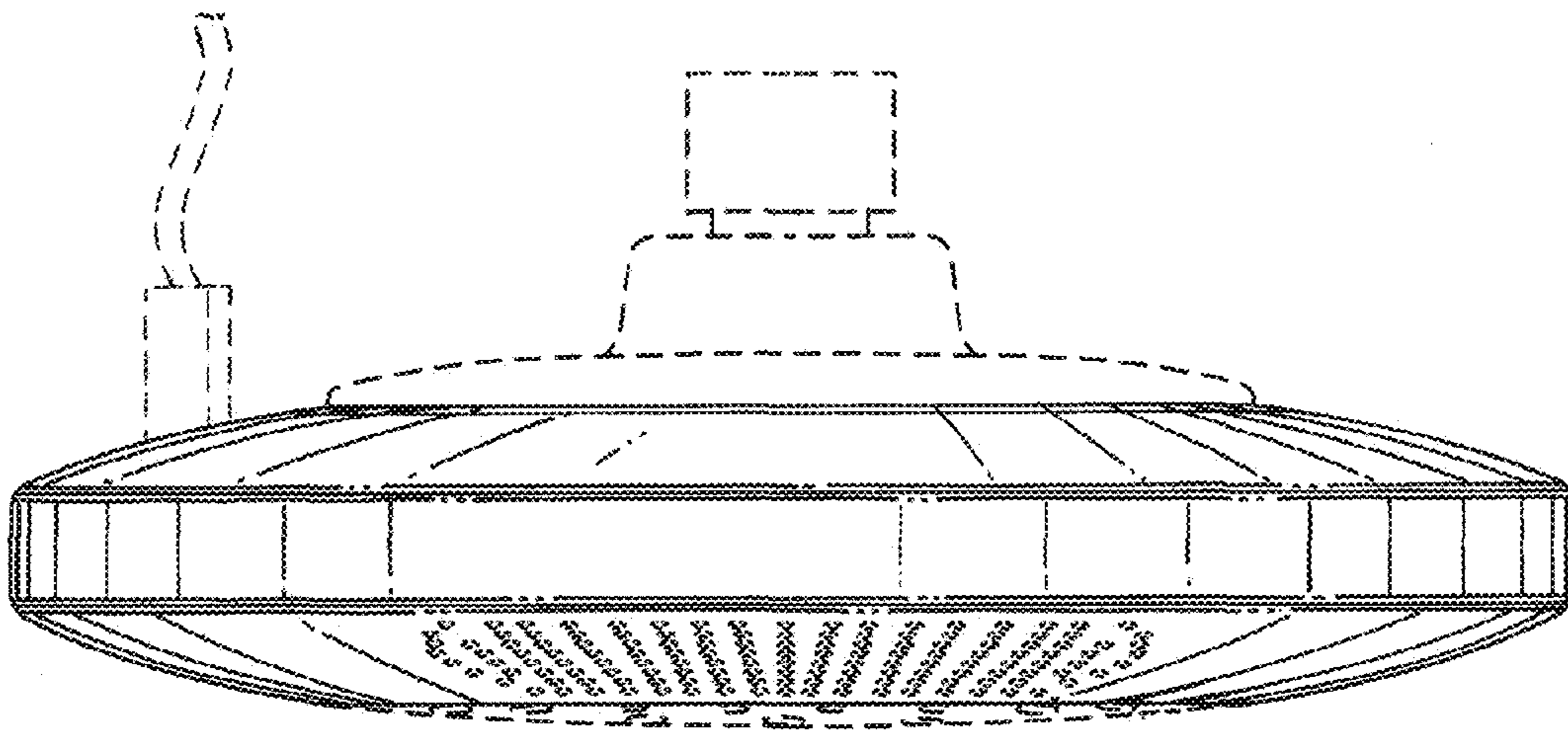


FIG. 4

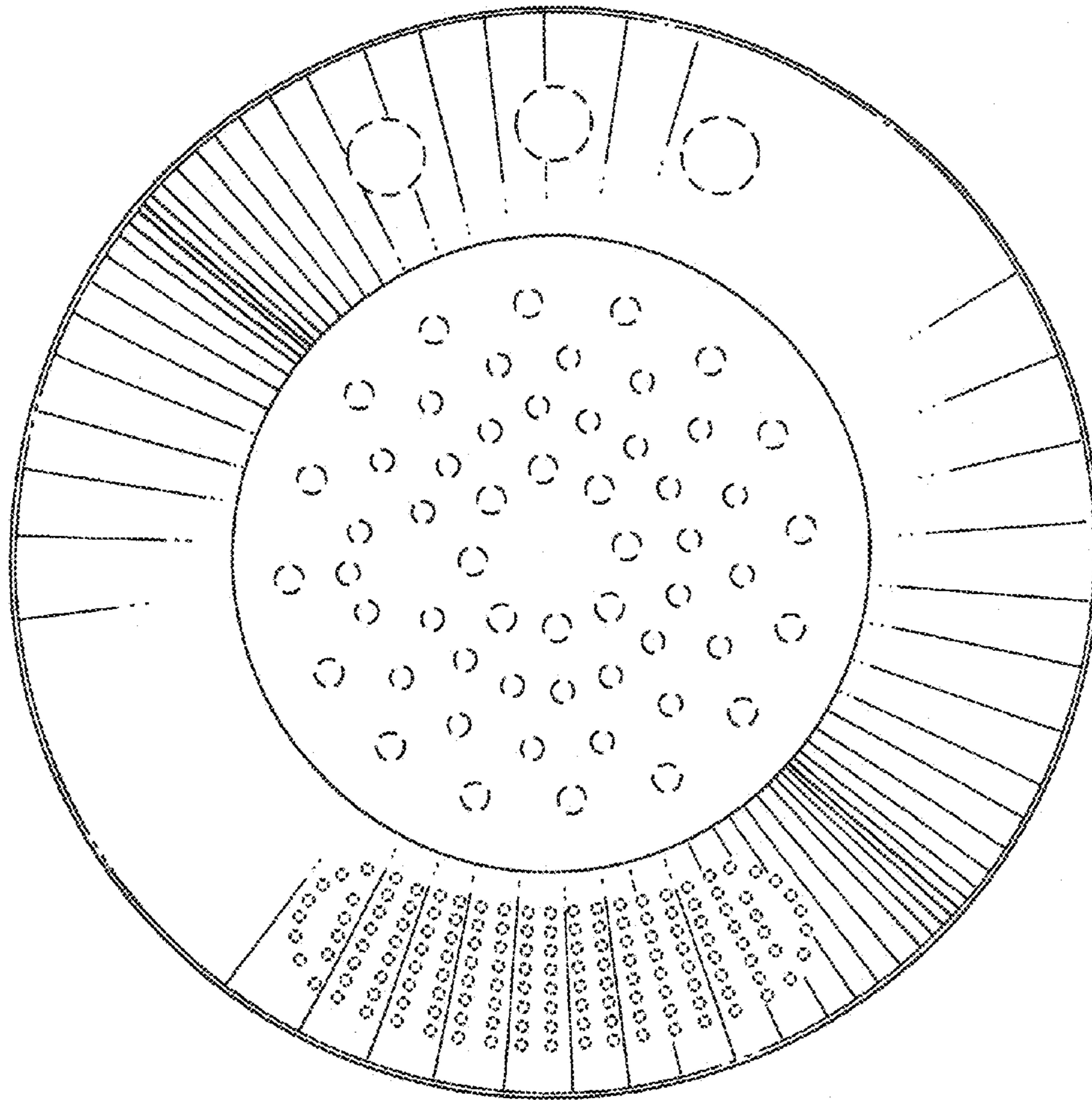


FIG. 5