



US00D730868S

(12) **United States Design Patent**
Birger

(10) **Patent No.:** **US D730,868 S**

(45) **Date of Patent:** **** Jun. 2, 2015**

(54) **HEADSET**

(71) Applicant: **Johan Birger**, Malmö (SE)

(72) Inventor: **Johan Birger**, Malmö (SE)

(73) Assignee: **GN Netcom, A/S** (DK)

(**) Term: **14 Years**

(21) Appl. No.: **29/478,175**

(22) Filed: **Jan. 1, 2014**

(30) **Foreign Application Priority Data**

Jul. 3, 2013 (EM) 002267419-0001

(51) **LOC (10) Cl.** **14-01**

(52) **U.S. Cl.**
USPC **D14/206**

(58) **Field of Classification Search**
USPC D14/206, 205, 223, 225; 181/129, 130,
181/135; 379/430, 431; 381/380, 381, 375;
455/90.3, 575.1

CPC H04R 1/10
See application file for complete search history.

(56) **References Cited**

U.S. PATENT DOCUMENTS

3,261,156	A *	7/1966	Kunzle et al.	57/285
D439,890	S *	4/2001	Skulley et al.	D14/223
D443,871	S *	6/2001	Hofstede et al.	D14/206
D451,907	S *	12/2001	Amae et al.	D14/223
D455,417	S *	4/2002	Bey et al.	D14/223
D455,732	S *	4/2002	Skulley et al.	D14/223
D464,943	S *	10/2002	Lai	D14/206
D478,574	S *	8/2003	Ming	D14/223
D478,901	S *	8/2003	Rath et al.	D14/223

D480,073	S *	9/2003	Jensen et al.	D14/240
D480,711	S *	10/2003	Kuan	D14/223
D485,549	S *	1/2004	Ma et al.	D14/223
D487,078	S *	2/2004	Chen	D14/223
D494,569	S *	8/2004	Ma	D14/223
D494,570	S *	8/2004	Ma	D14/223
D497,613	S *	10/2004	Gwee	D14/223
D498,750	S *	11/2004	Ma	D14/223
6,819,762	B2 *	11/2004	Jones et al.	379/430
D506,994	S *	7/2005	Olson et al.	D14/223
D508,485	S *	8/2005	Katsumata	D14/223
D515,074	S *	2/2006	Jacobson et al.	D14/225
D518,816	S *	4/2006	Naito et al.	D14/205
D524,795	S *	7/2006	Cohen et al.	D14/206
7,106,877	B1 *	9/2006	Linville	381/381
D555,153	S *	11/2007	Wilson et al.	D14/223
D604,718	S *	11/2009	Paterson	D14/206
7,925,037	B2 *	4/2011	Te Riet	381/381
8,605,934	B2 *	12/2013	Hagberg et al.	381/375
2004/0190745	A1 *	9/2004	Chen	381/381

* cited by examiner

Primary Examiner — Paula Greene

(74) *Attorney, Agent, or Firm* — Altera Law Group, LLC

(57) **CLAIM**

The ornamental design for a headset, as shown and described.

DESCRIPTION

FIG. 1 is a perspective view of the headset

FIG. 2 is a top view thereof.

FIG. 3 is a bottom view thereof.

FIG. 4 is a side view thereof.

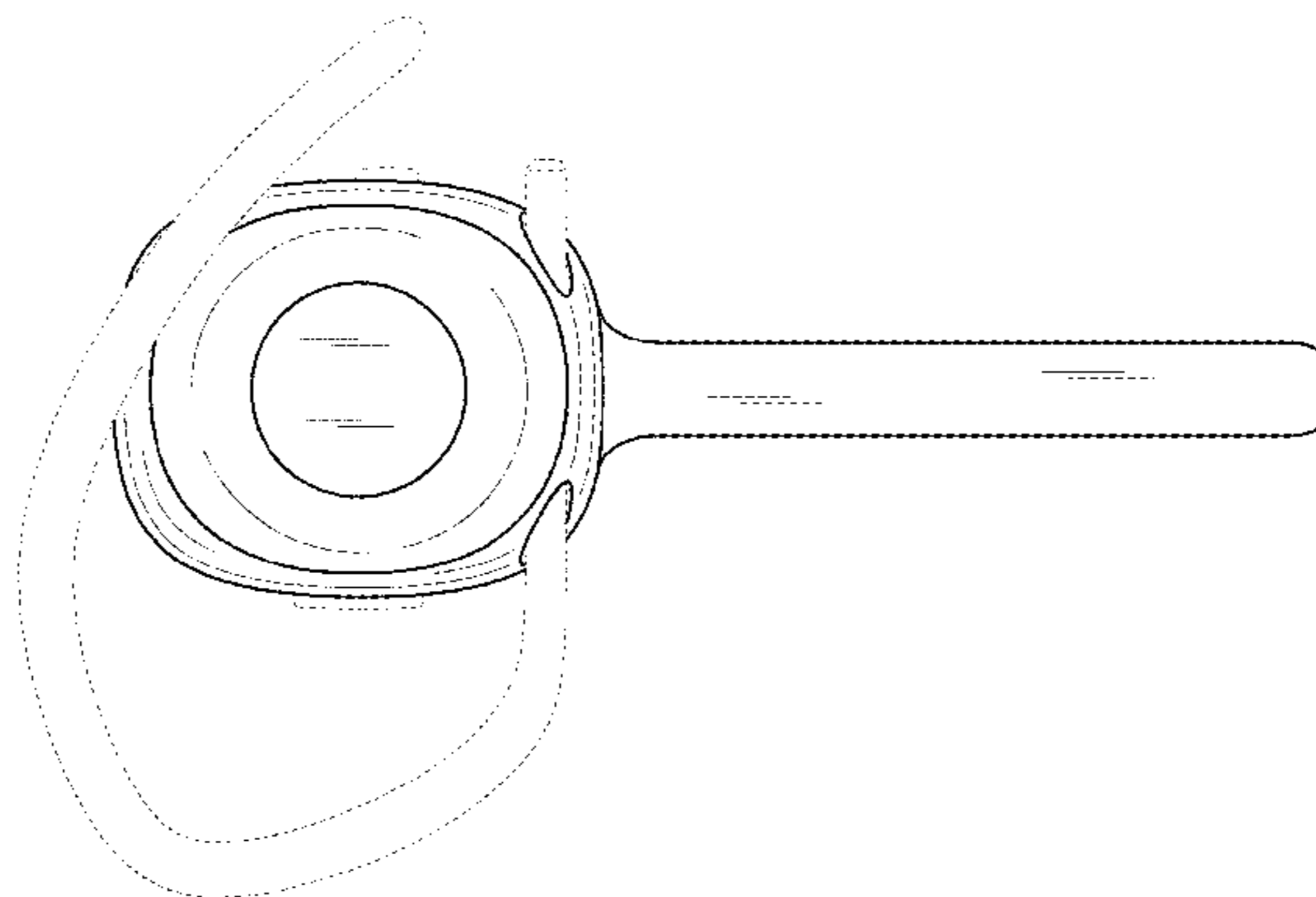
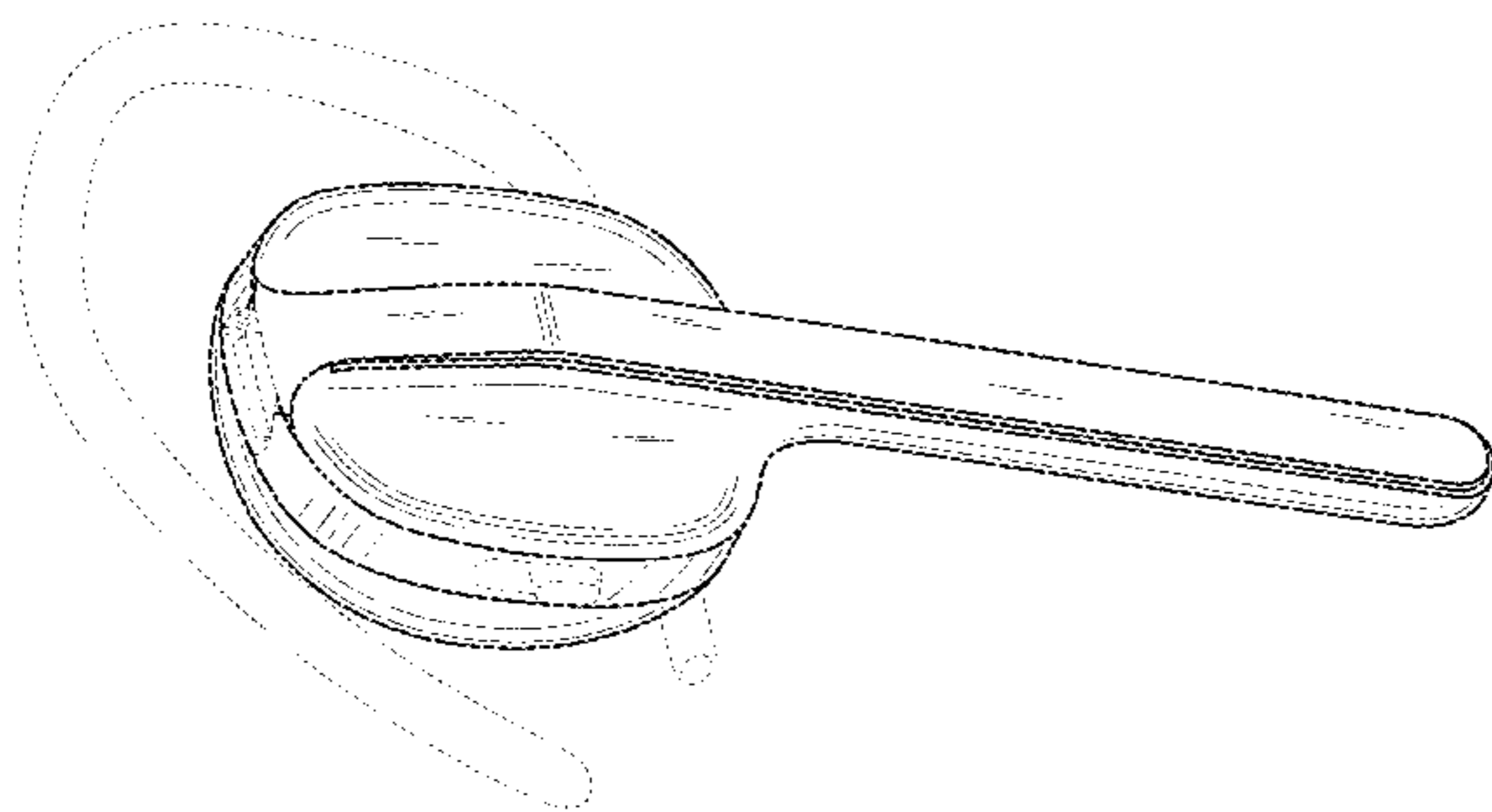
FIG. 5 is the other side view thereof.

FIG. 6 is a back view thereof; and,

FIG. 7 is a front view thereof.

The features shown in broken lines depict environmental subject matter only and form no part of the claimed design.

1 Claim, 5 Drawing Sheets



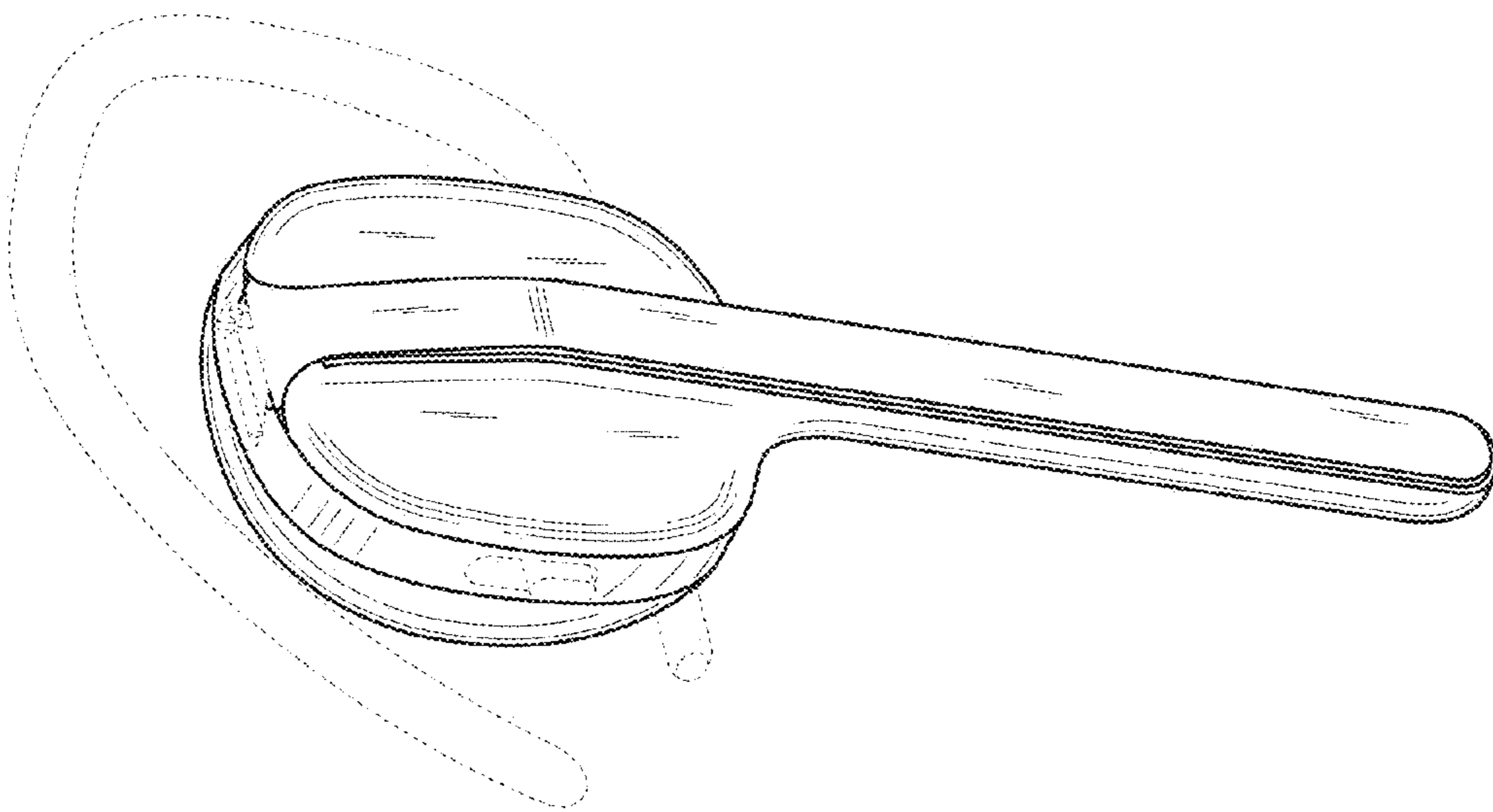


Fig. 1

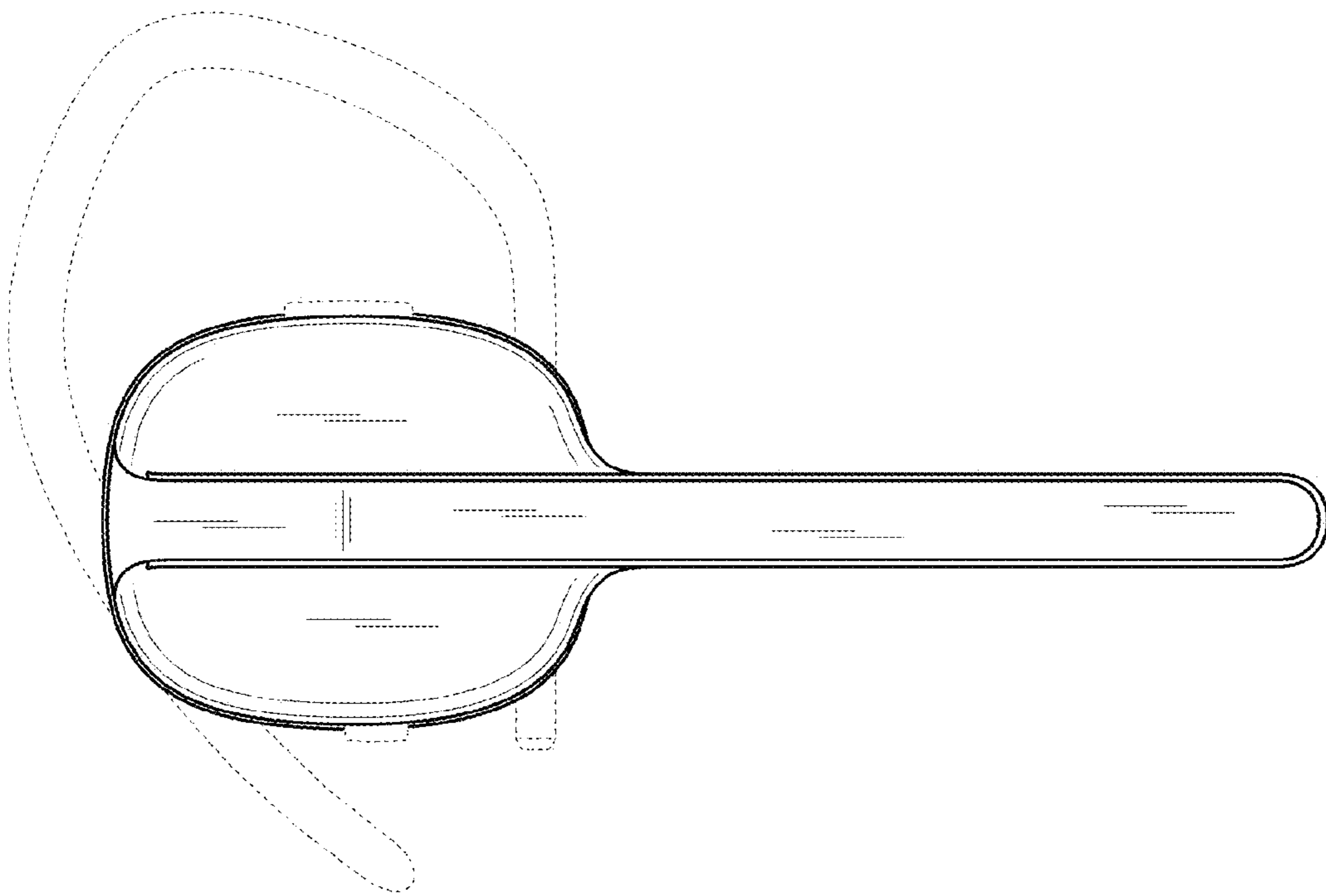


Fig. 2

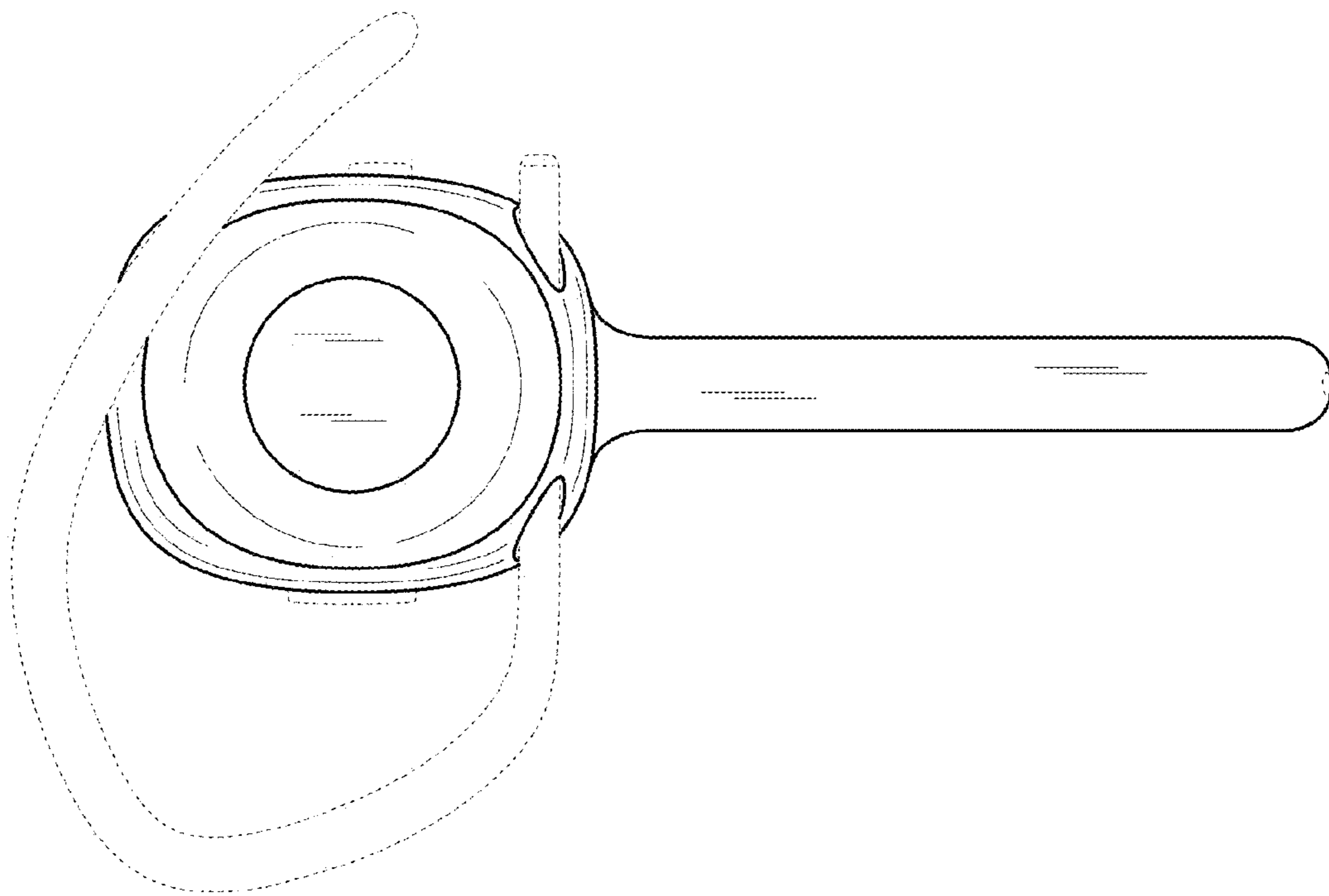


Fig. 3

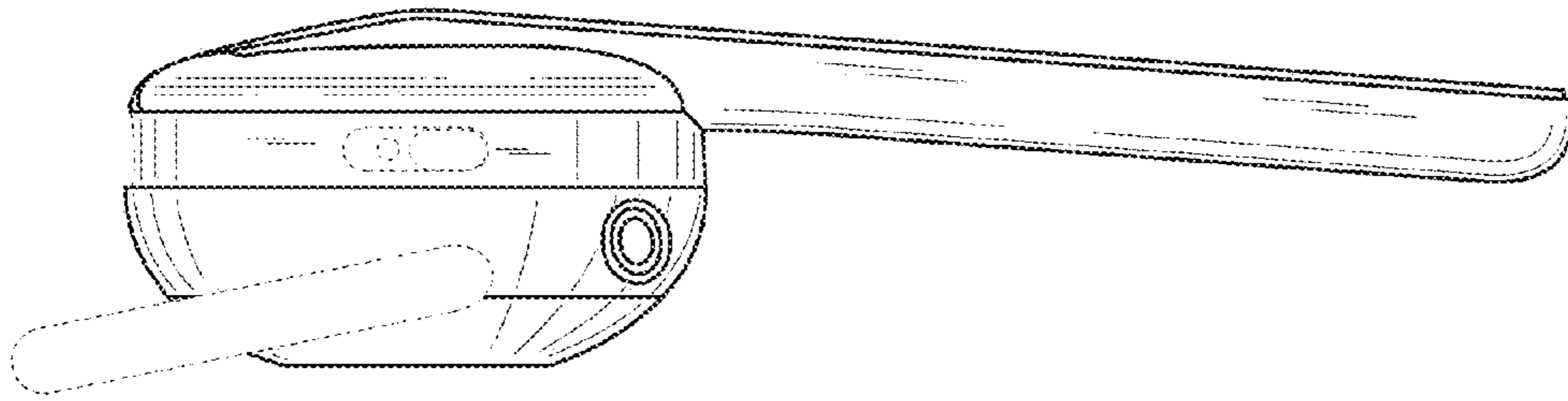


Fig. 4

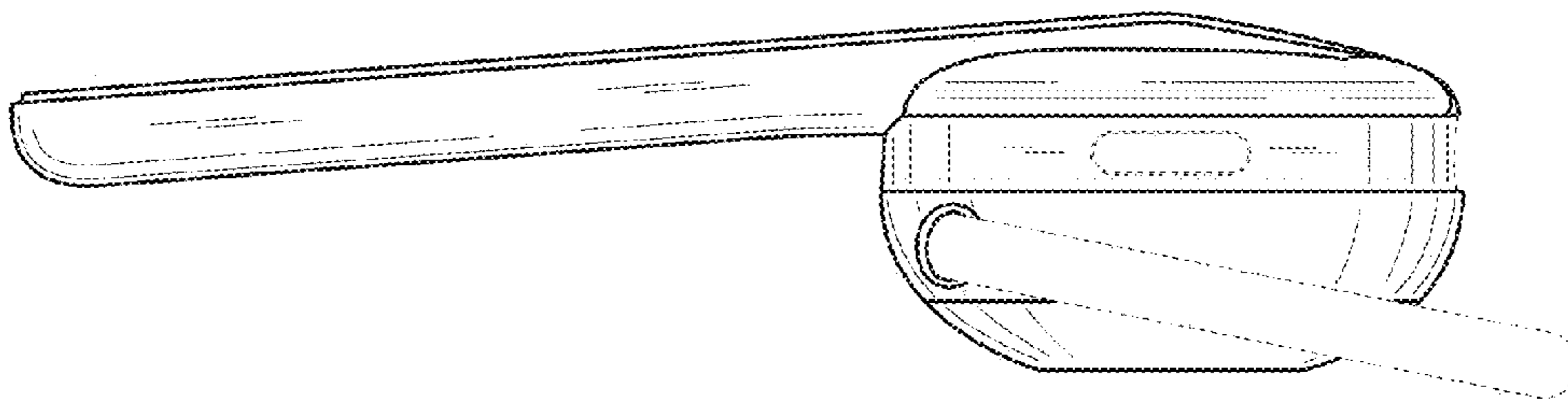


Fig. 5

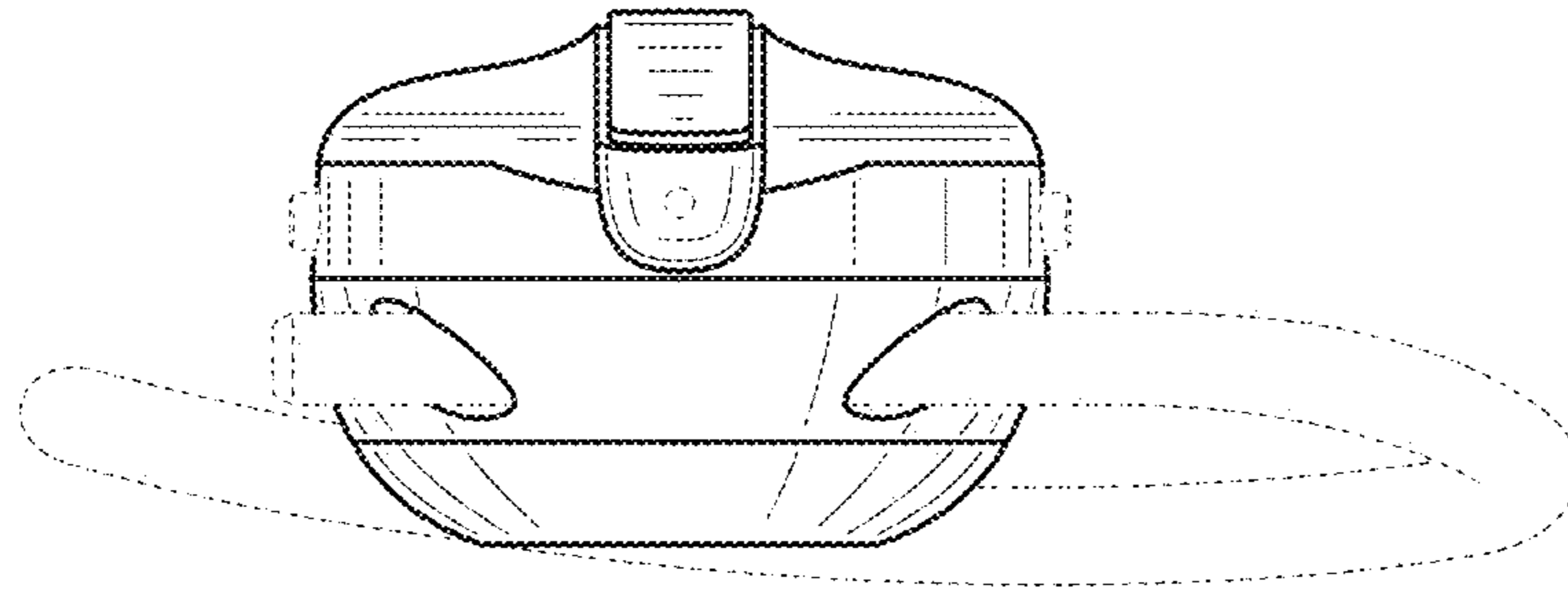


Fig. 6

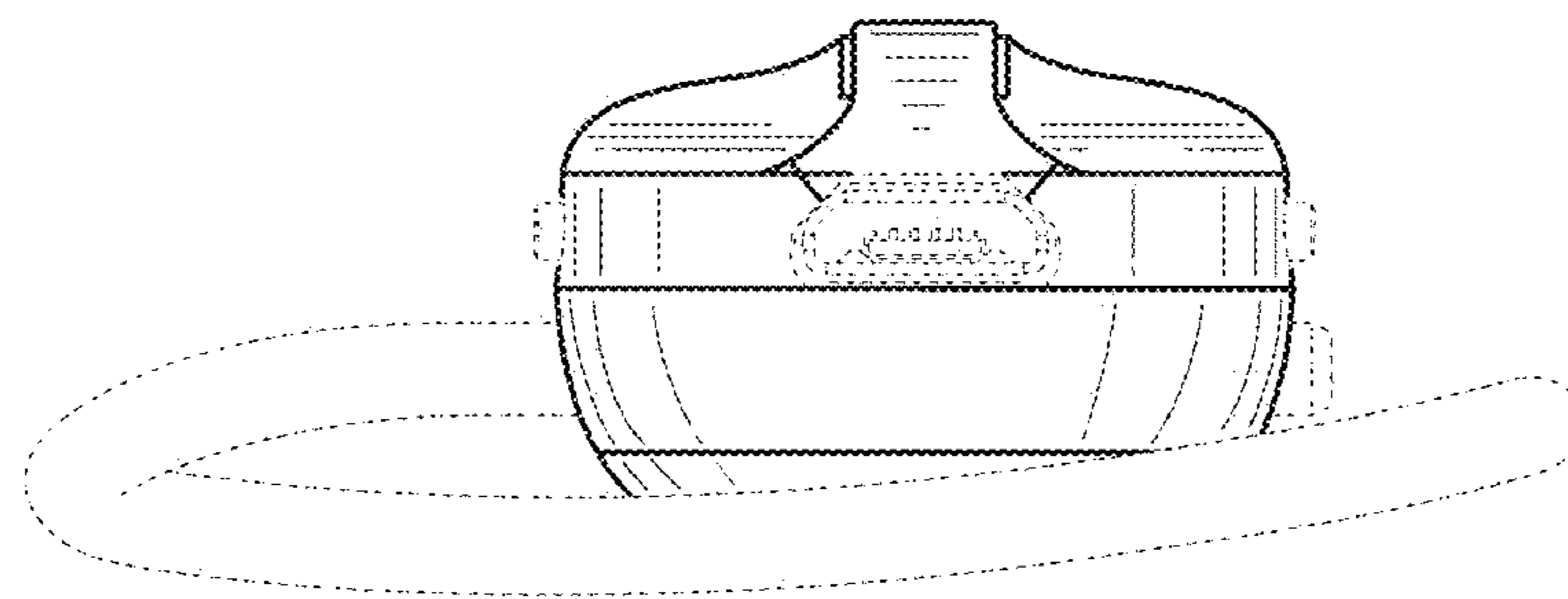


Fig. 7