



US00D730866S

(12) **United States Design Patent**
Aihsan et al.

(10) **Patent No.:** **US D730,866 S**
(45) **Date of Patent:** **** Jun. 2, 2015**

- (54) **PORTABLE RADIO**
- (71) Applicant: **MOTOROLA SOLUTIONS, INC.**, Schaumburg, IL (US)
- (72) Inventors: **Mohd Wardi Iswali Aihsan**, Kedah Darul Aman (MY); **Lee Huang Ng**, Pinang (MY); **Michael J. Page**, Miami, FL (US); **Scott H. Richards**, Plantation, FL (US)
- (73) Assignee: **Motorola Solutions, Inc.**, Schaumburg, IL (US)
- (**) Term: **14 Years**
- (21) Appl. No.: **29/485,686**
- (22) Filed: **Mar. 21, 2014**
- (51) **LOC (10) Cl.** **14-03**
- (52) **U.S. Cl.**
USPC **D14/188; D14/496**
- (58) **Field of Classification Search**
USPC D14/188, 191, 192, 194, 196, 197, D14/203.1, 203.3, 496, 137, 138 R, 155, D14/160, 168, 169; 455/344-351, 92, 95; 369/6-12
CPC H04R 1/02; H04R 1/023; H04R 1/028; H04R 27/00; G06F 3/00
See application file for complete search history.

6,256,481 B1 *	7/2001	Jeong et al.	455/575.3
6,917,517 B1 *	7/2005	Iida	455/347
D526,993 S *	8/2006	Richards et al.	D14/188
D540,298 S *	4/2007	Amid-Hozour	D14/188
D542,266 S *	5/2007	Amid-Hozour	D14/188
D557,252 S *	12/2007	Obata	D14/197
D571,353 S *	6/2008	Fukutake	D14/198

* cited by examiner

Primary Examiner — Prabhakar Deshmukh
(74) *Attorney, Agent, or Firm* — Barbara R. Doutre

(57) **CLAIM**
The ornamental design for a portable radio, as shown and described.

DESCRIPTION

FIG. 1 is a front perspective view of a portable radio showing our new design;
 FIG. 2 is a rear perspective view thereof;
 FIG. 3 is a front elevational view thereof;
 FIG. 4 is a left side elevational view thereof;
 FIG. 5 is a right side elevational view thereof;
 FIG. 6 is a rear elevational view thereof;
 FIG. 7 is a top plan view thereof;
 FIG. 8 is a bottom plan view thereof;
 FIG. 9 is a front perspective view of a second embodiment of a portable radio;
 FIG. 10 is a rear perspective view of FIG. 9;
 FIG. 11 is a front elevational view of FIG. 9;
 FIG. 12 is a left side elevational view of FIG. 9;
 FIG. 13 is a right side elevational view of FIG. 9;
 FIG. 14 is a rear elevational view of FIG. 9;
 FIG. 15 is a top plan view of FIG. 9; and,
 FIG. 16 is a bottom plan view of FIG. 9.
 The broken lines indicate unclaimed portions and form no part of the claimed design.

1 Claim, 12 Drawing Sheets

- (56) **References Cited**
U.S. PATENT DOCUMENTS
4,119,813 A * 10/1978 Sato 369/11
4,199,724 A * 4/1980 Kondo 369/11
5,055,986 A * 10/1991 Johnson 362/253
D351,169 S * 10/1994 Leung D14/188

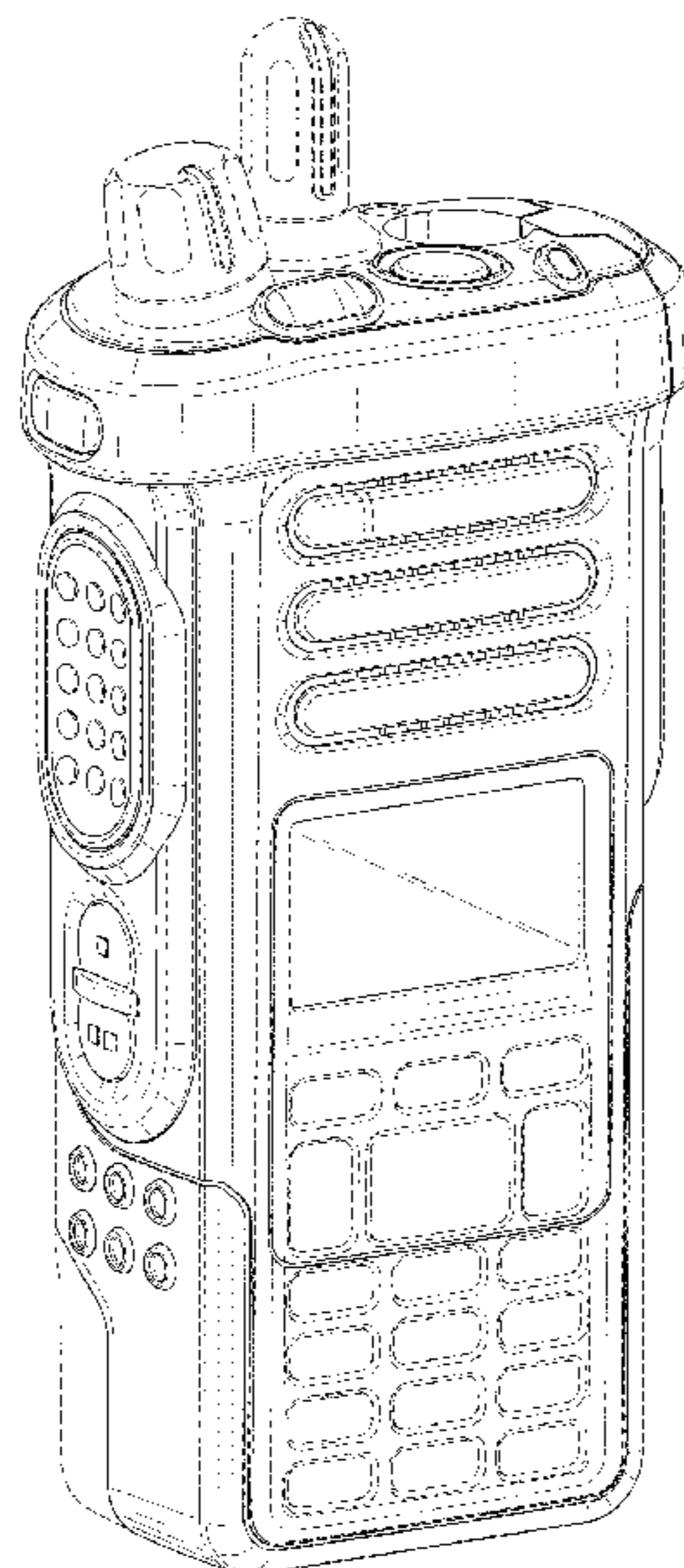


FIG. 1

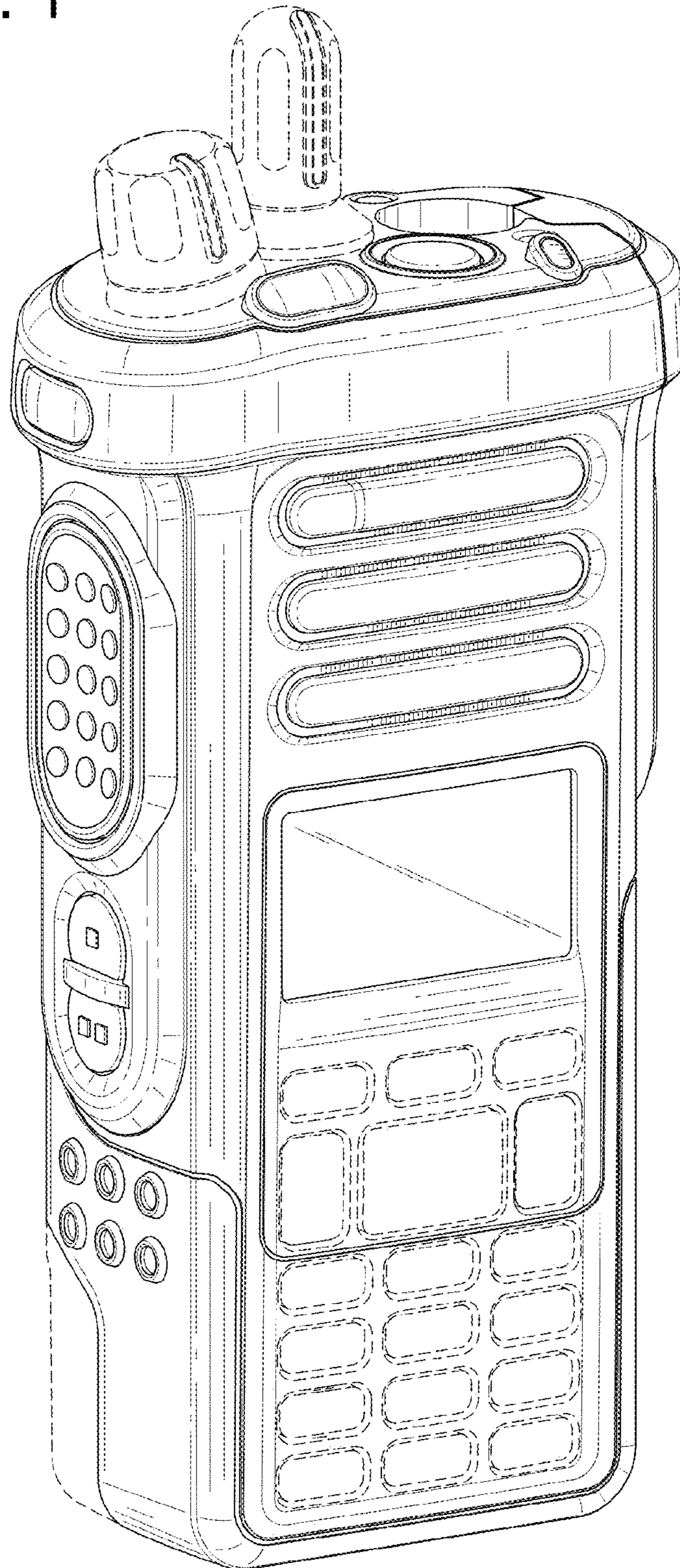


FIG. 2

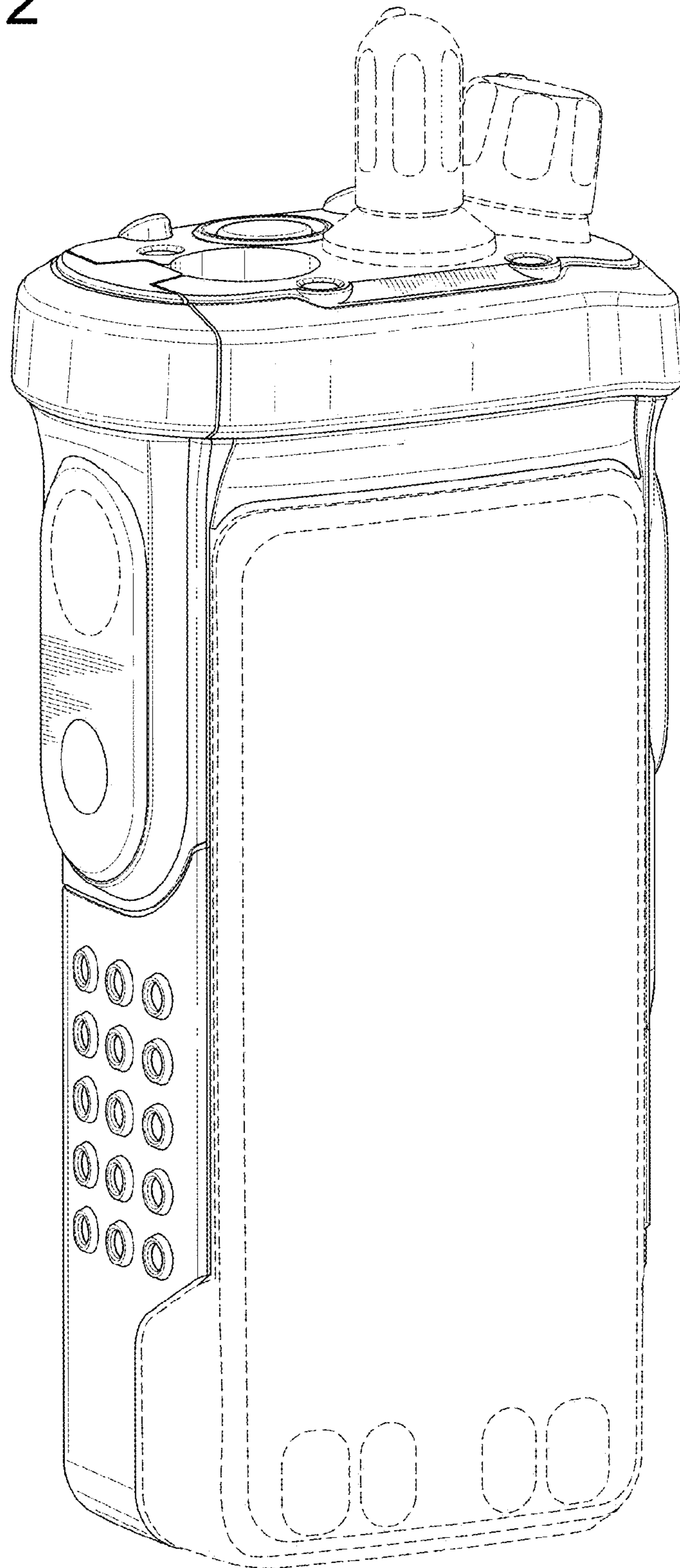


FIG. 3

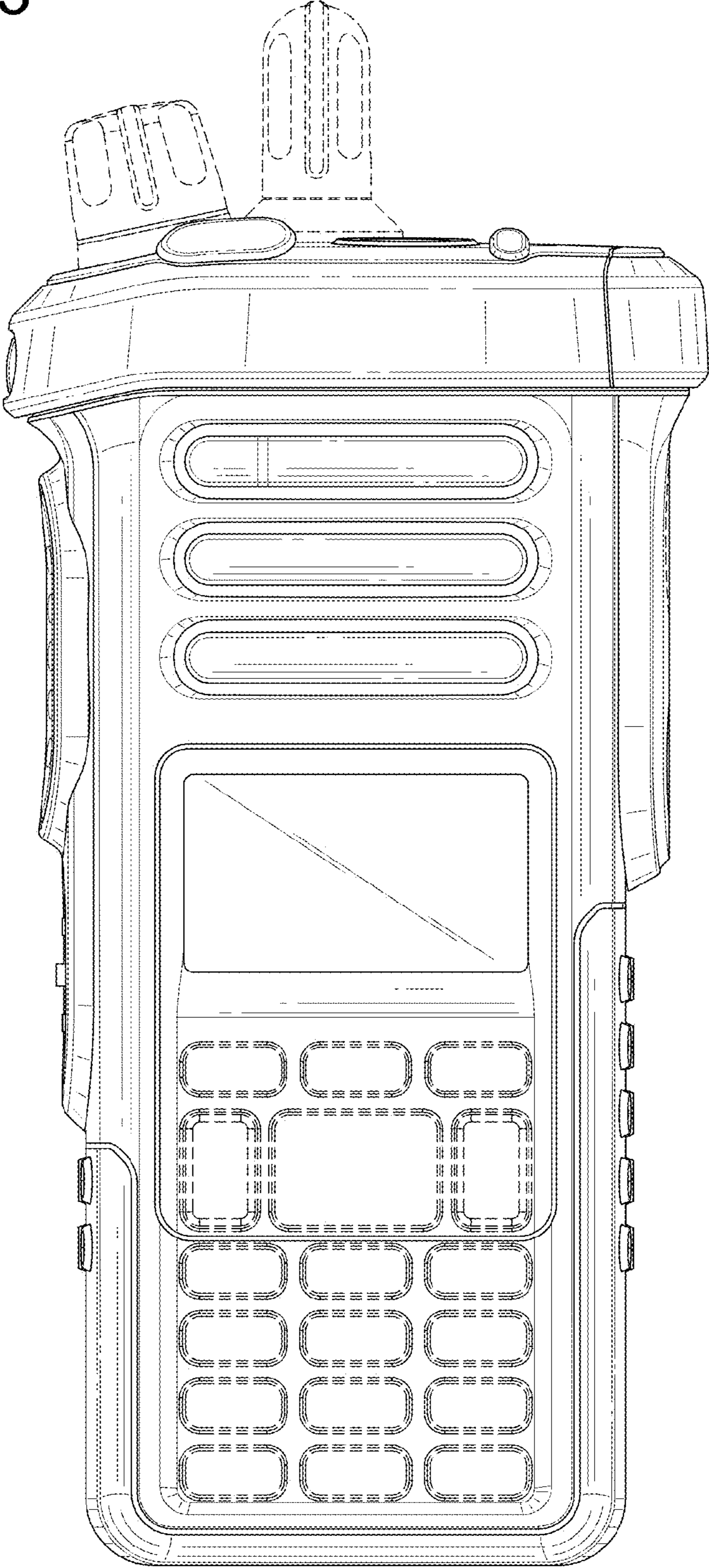


FIG. 4

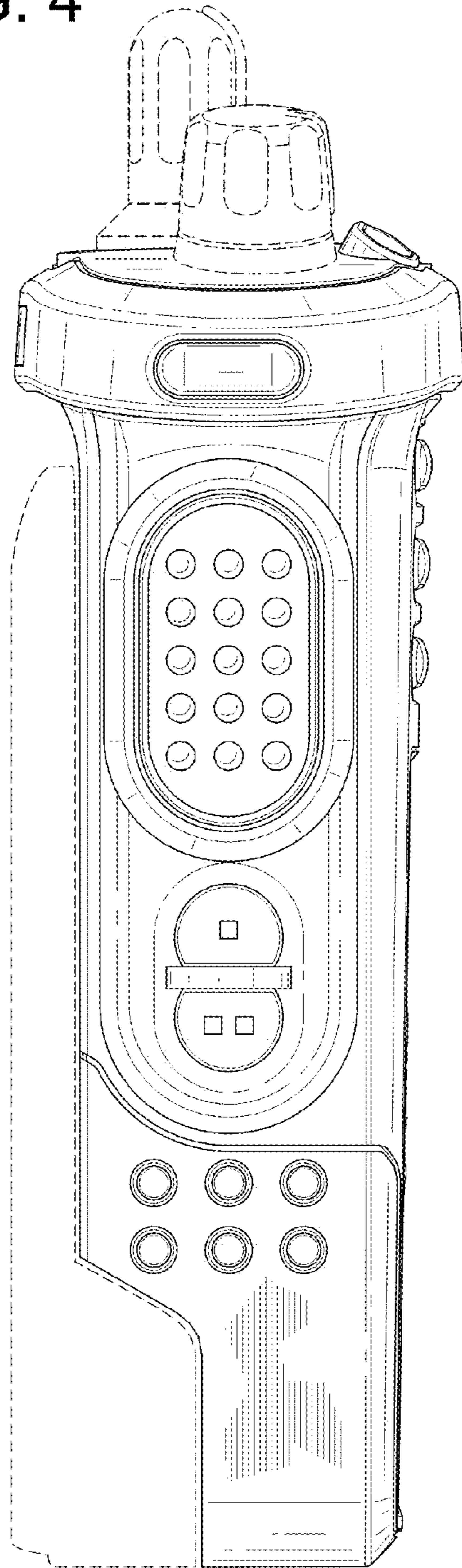


FIG. 5

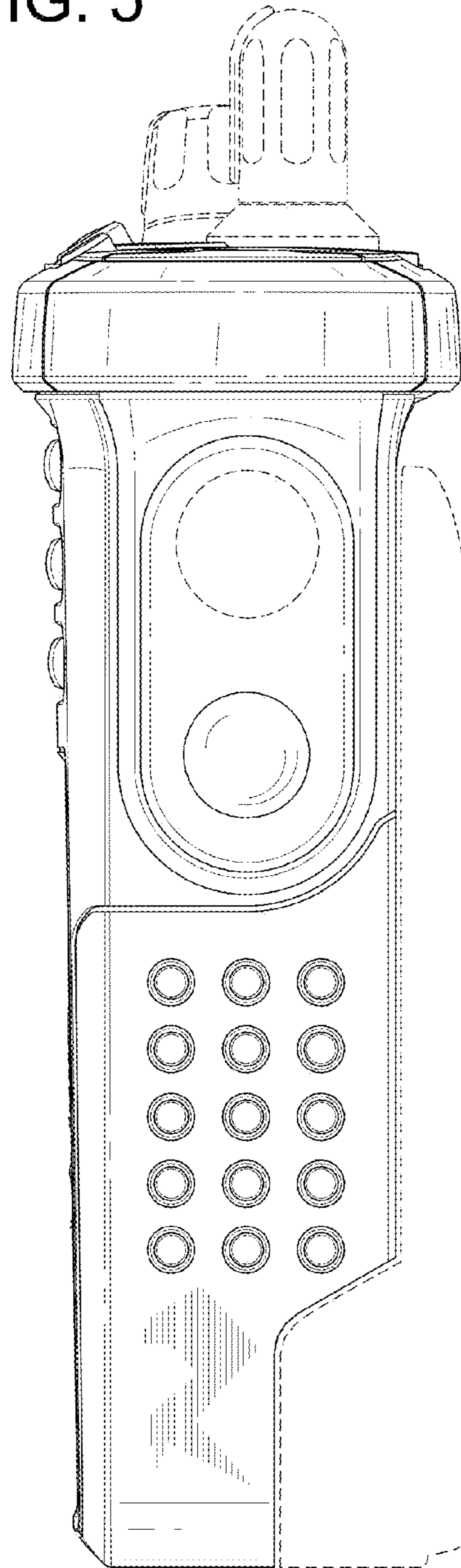


FIG. 6

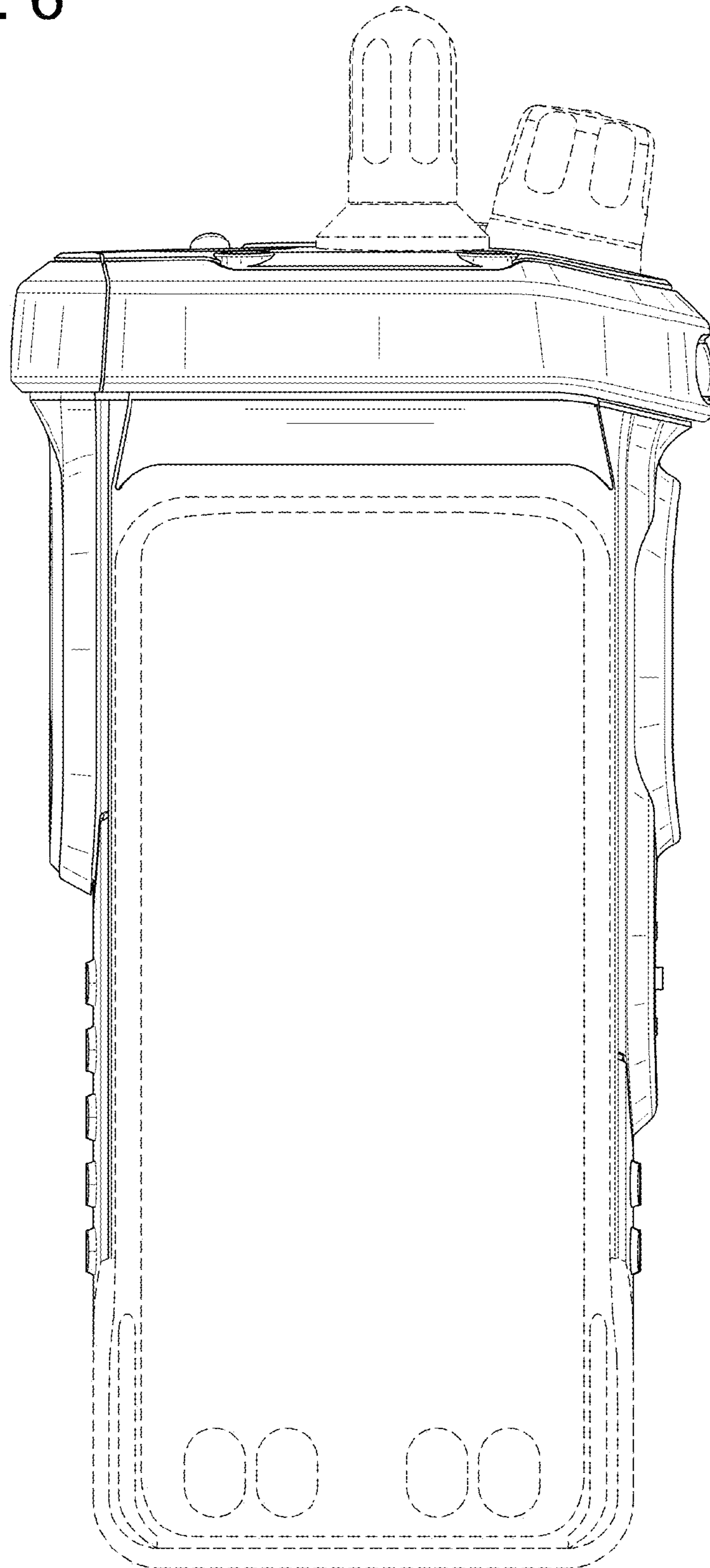


FIG. 7

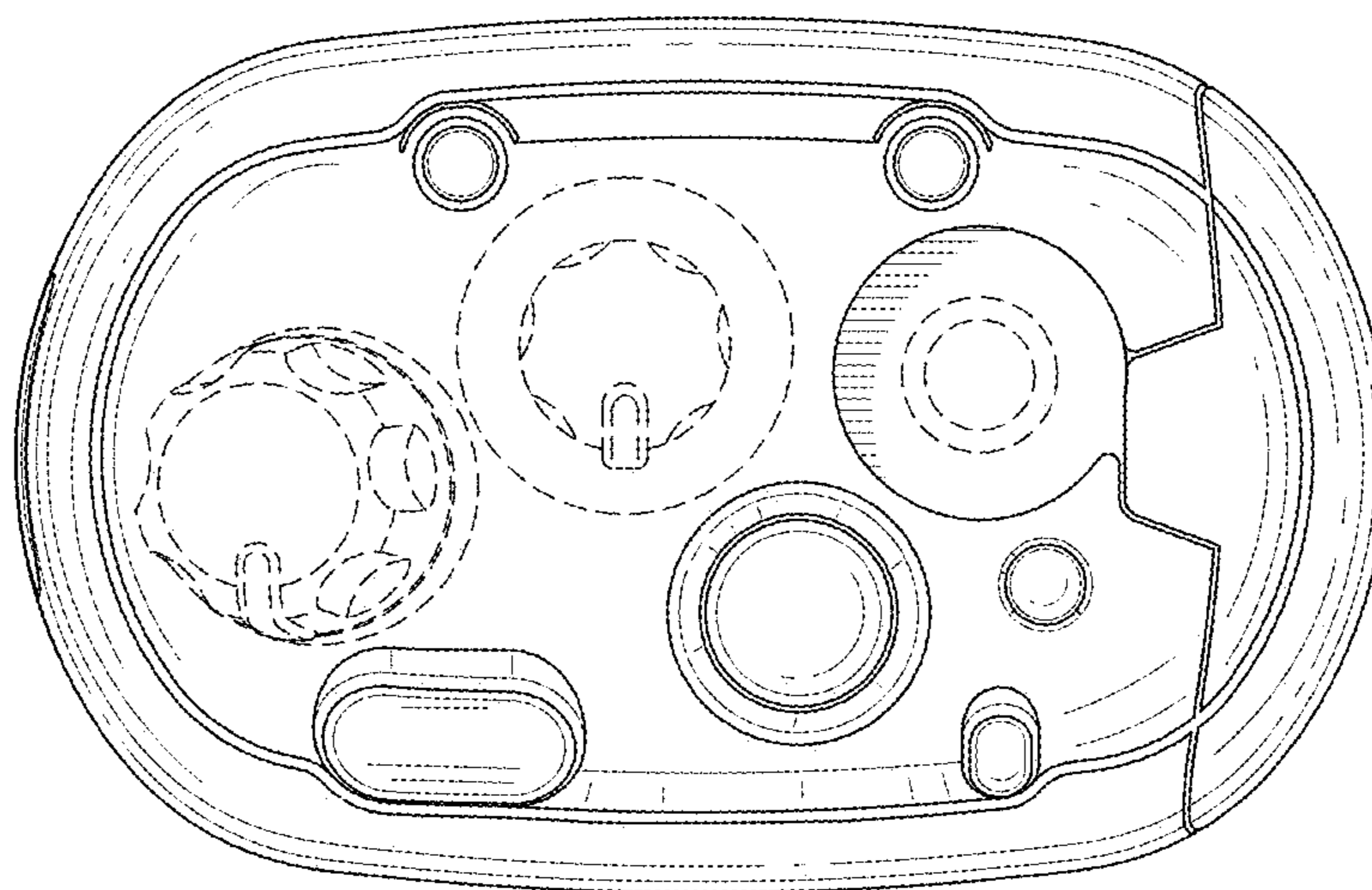


FIG. 8

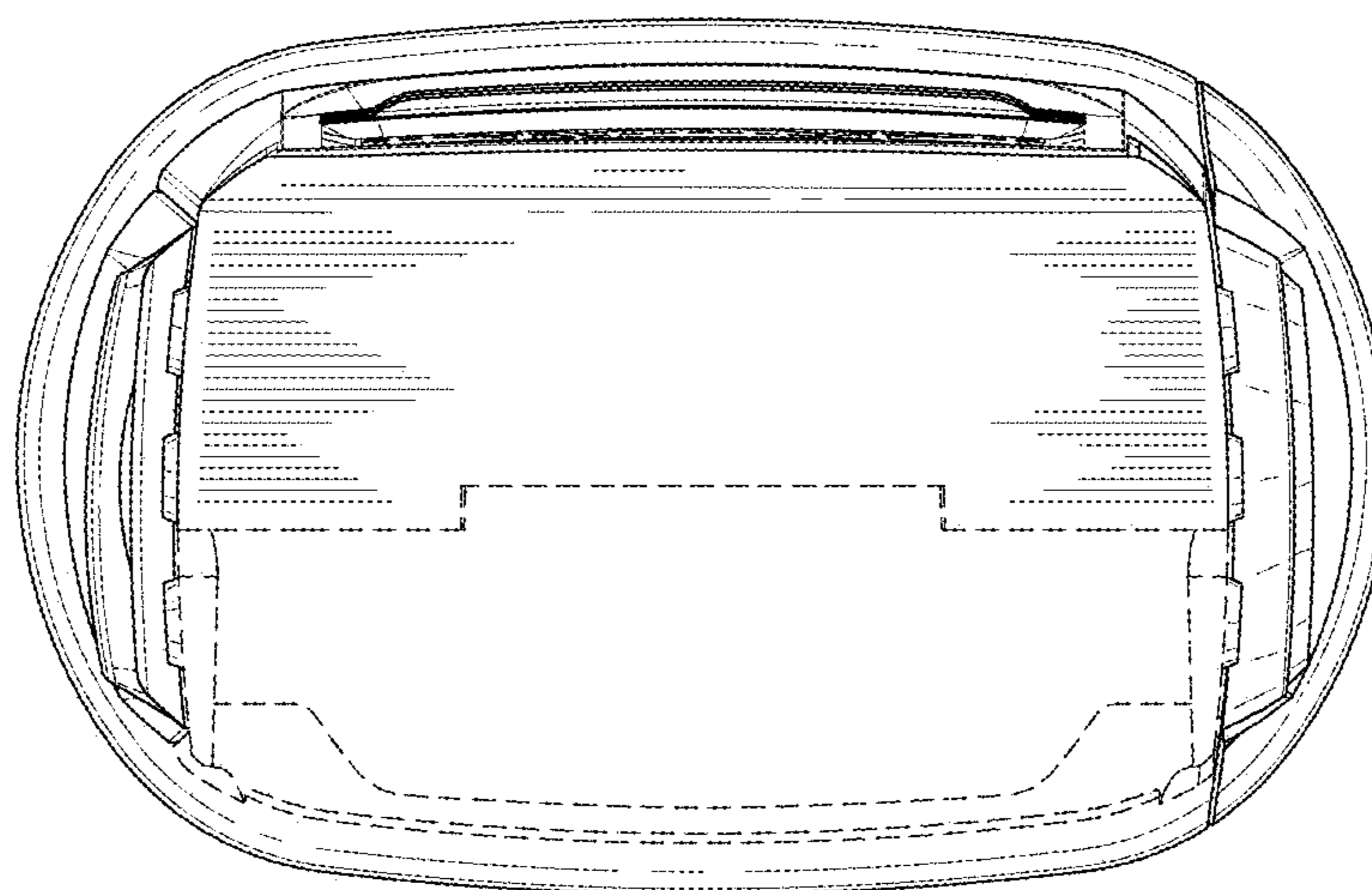


FIG. 9

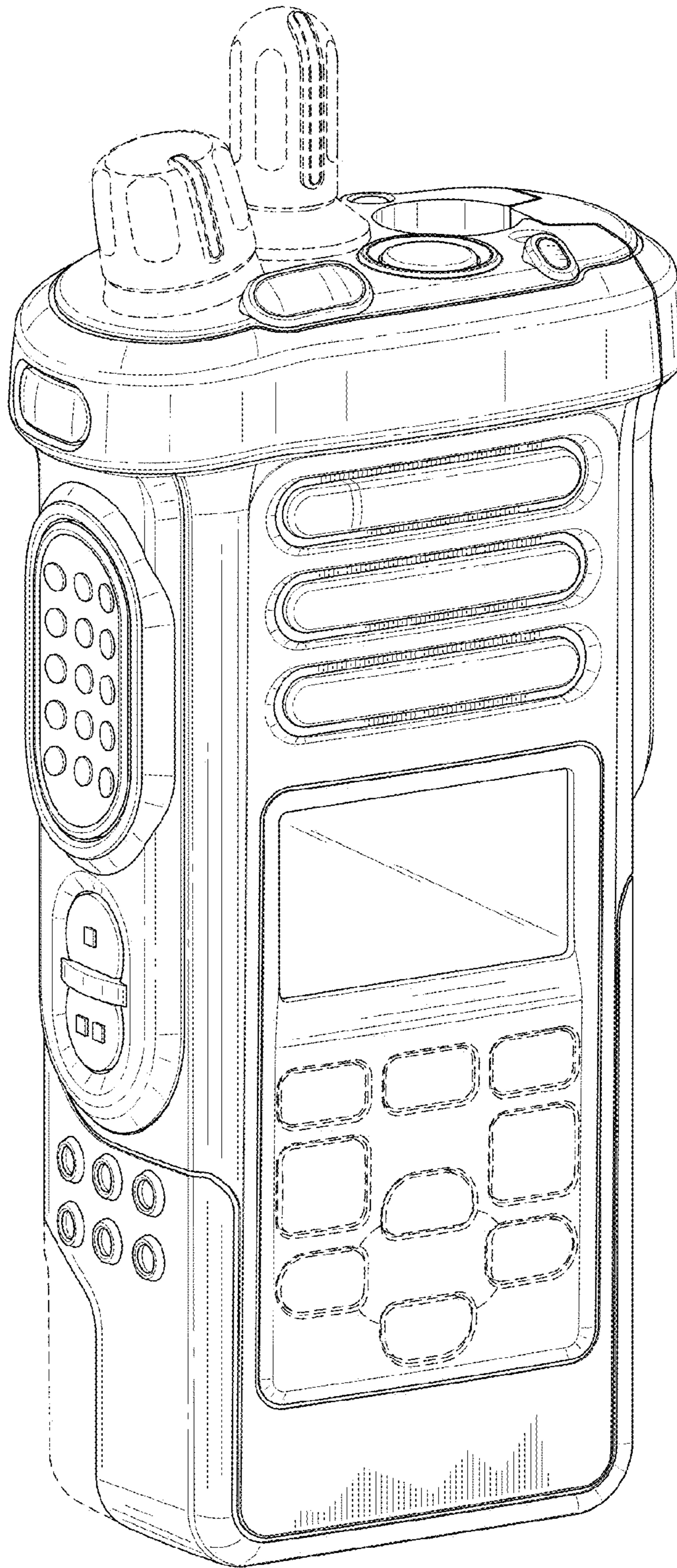


FIG. 10

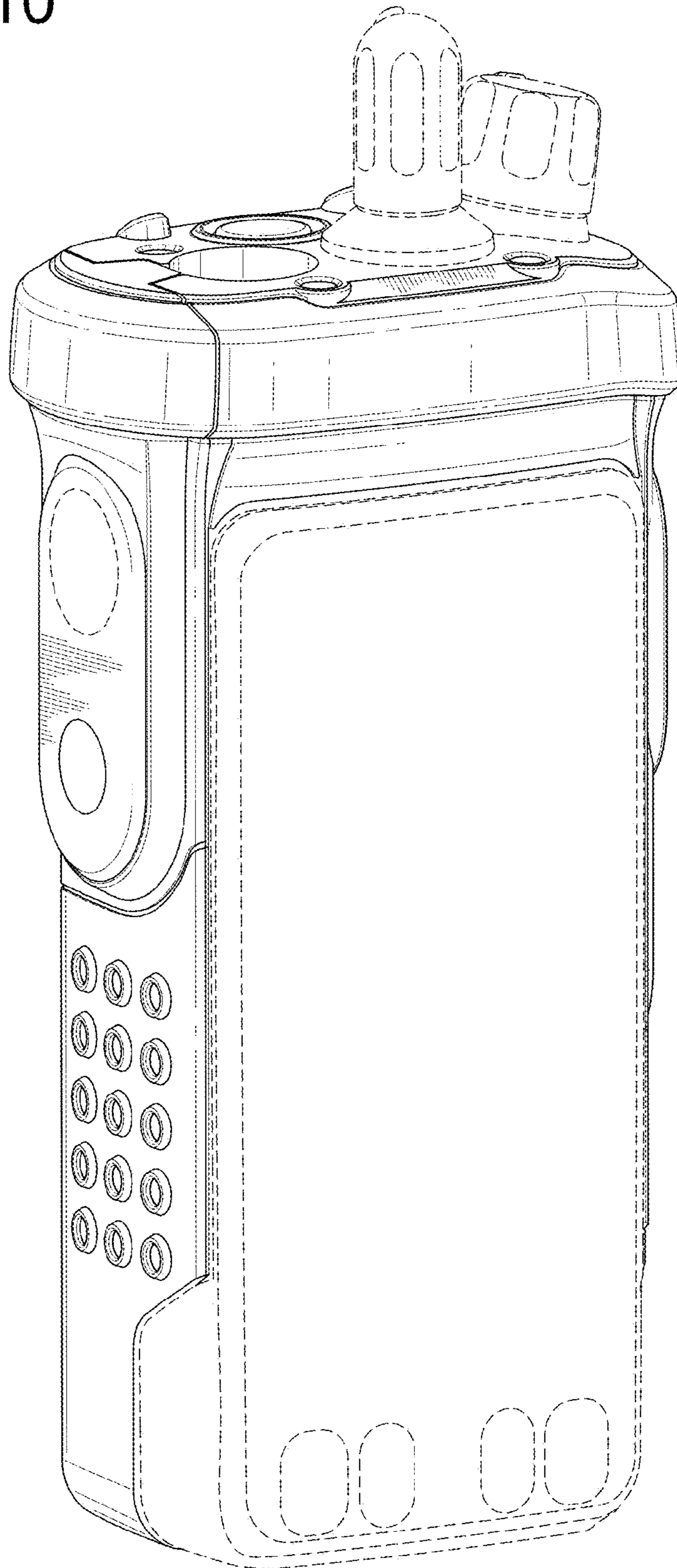


FIG. 11

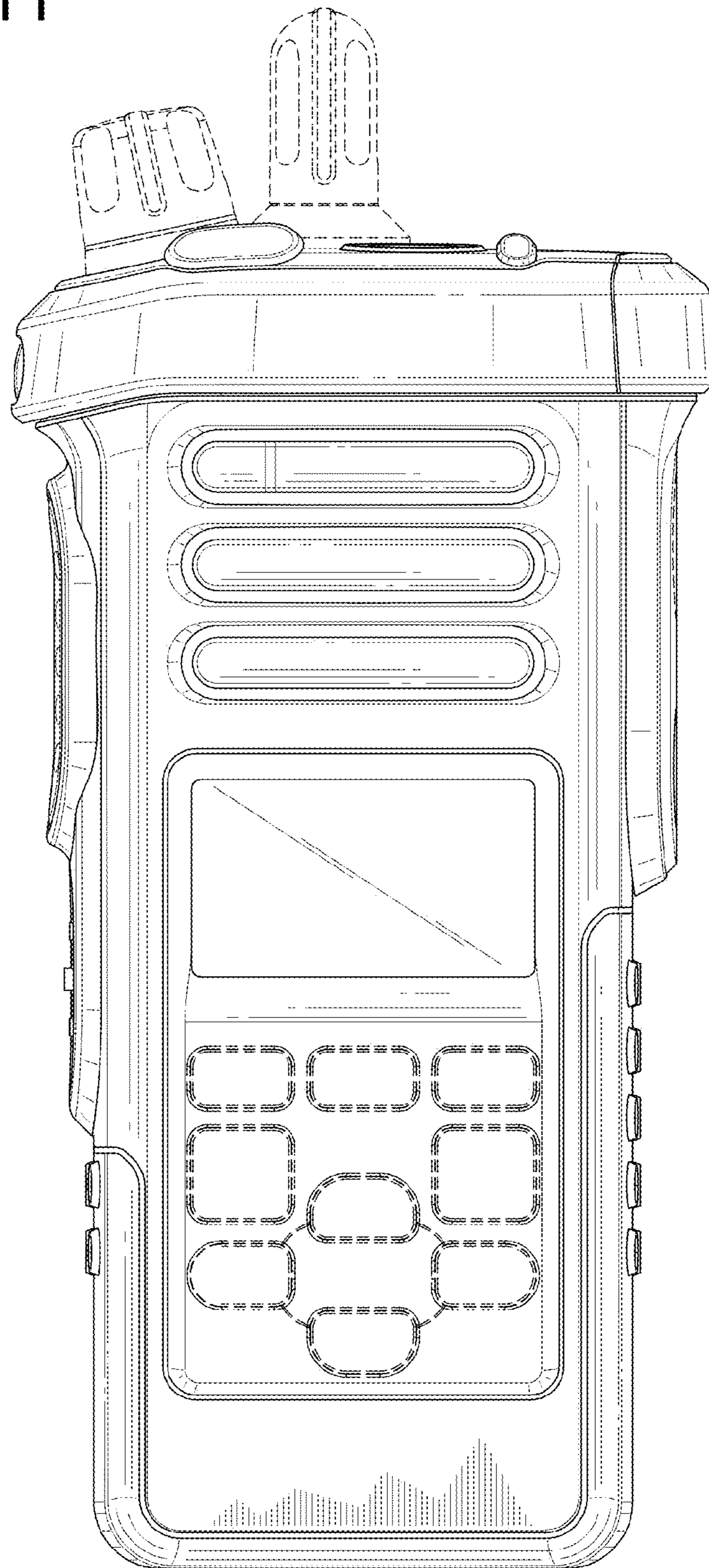


FIG. 12

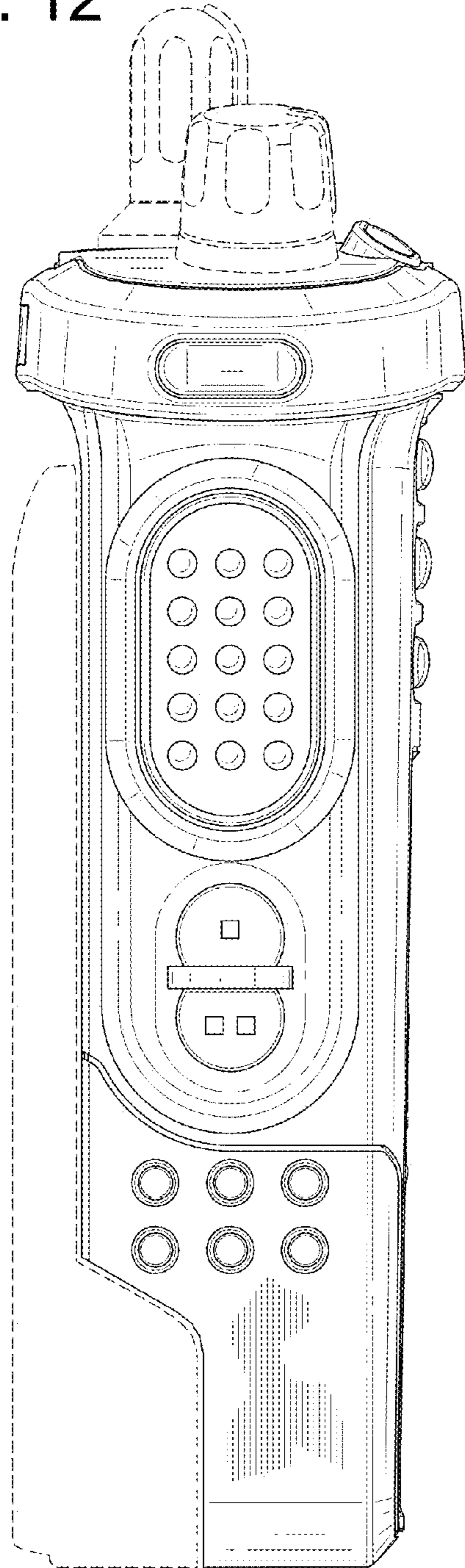


FIG. 13

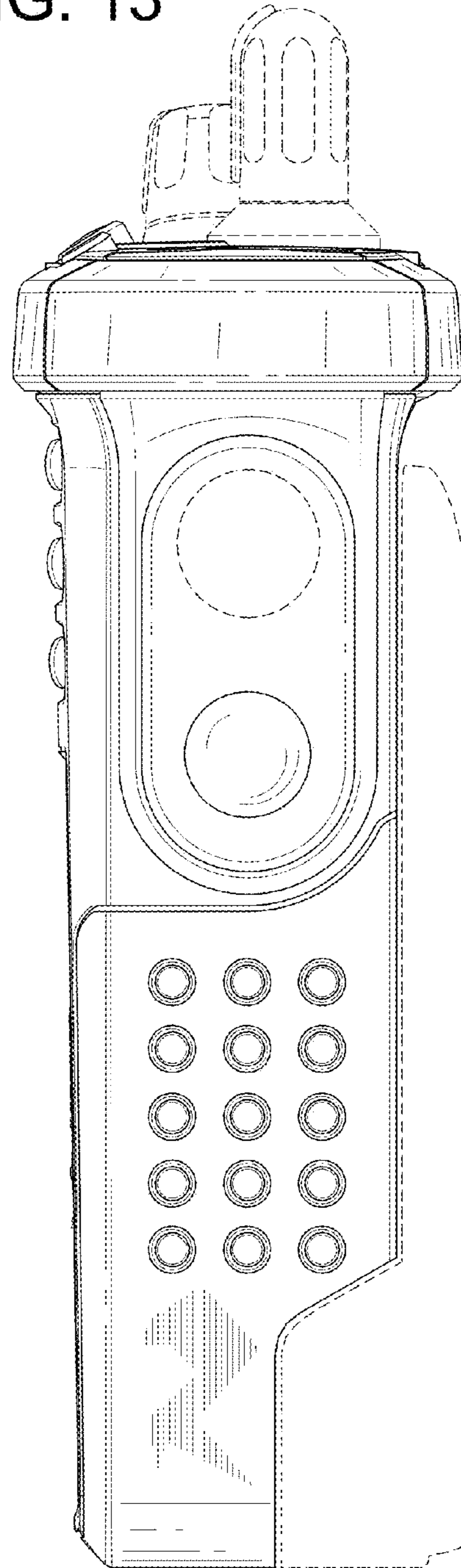


FIG. 14

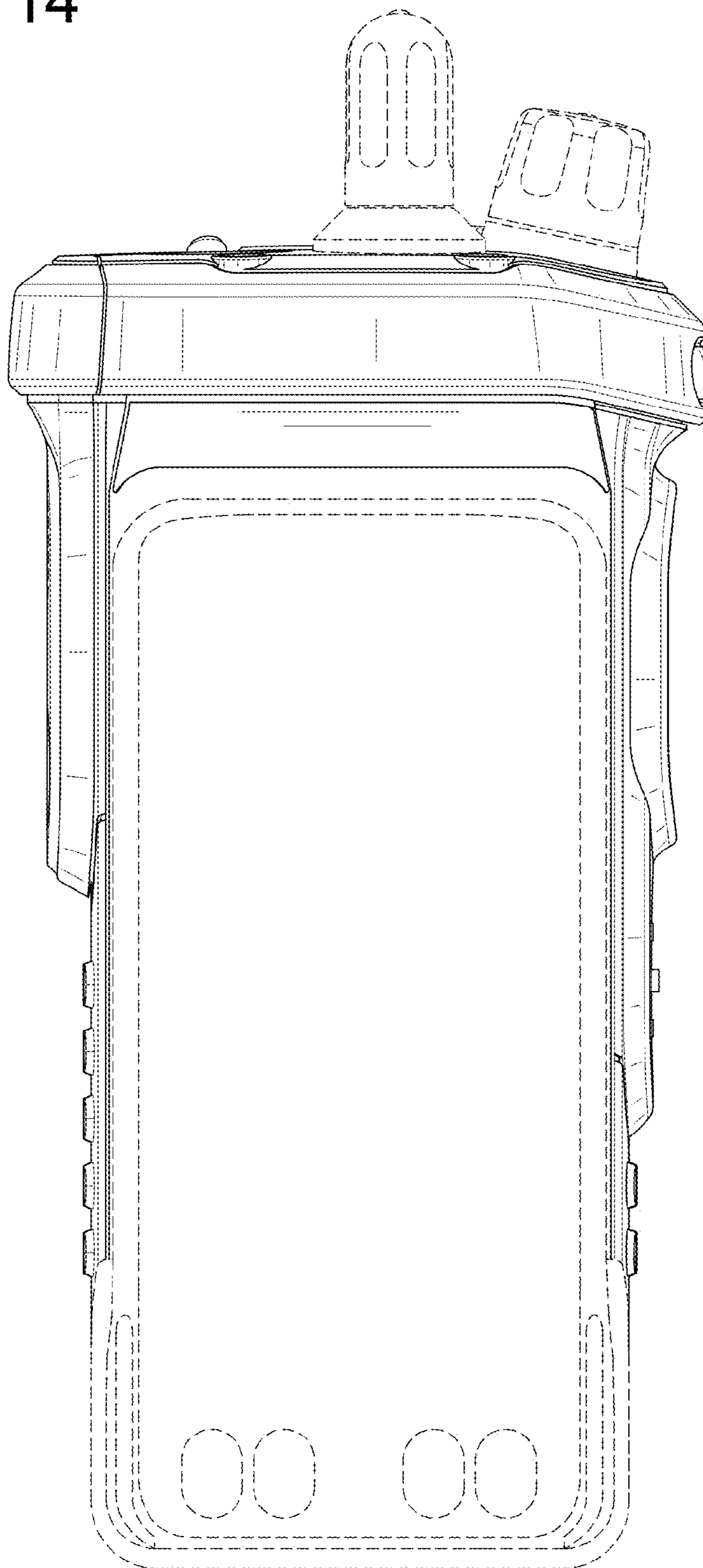


FIG. 15

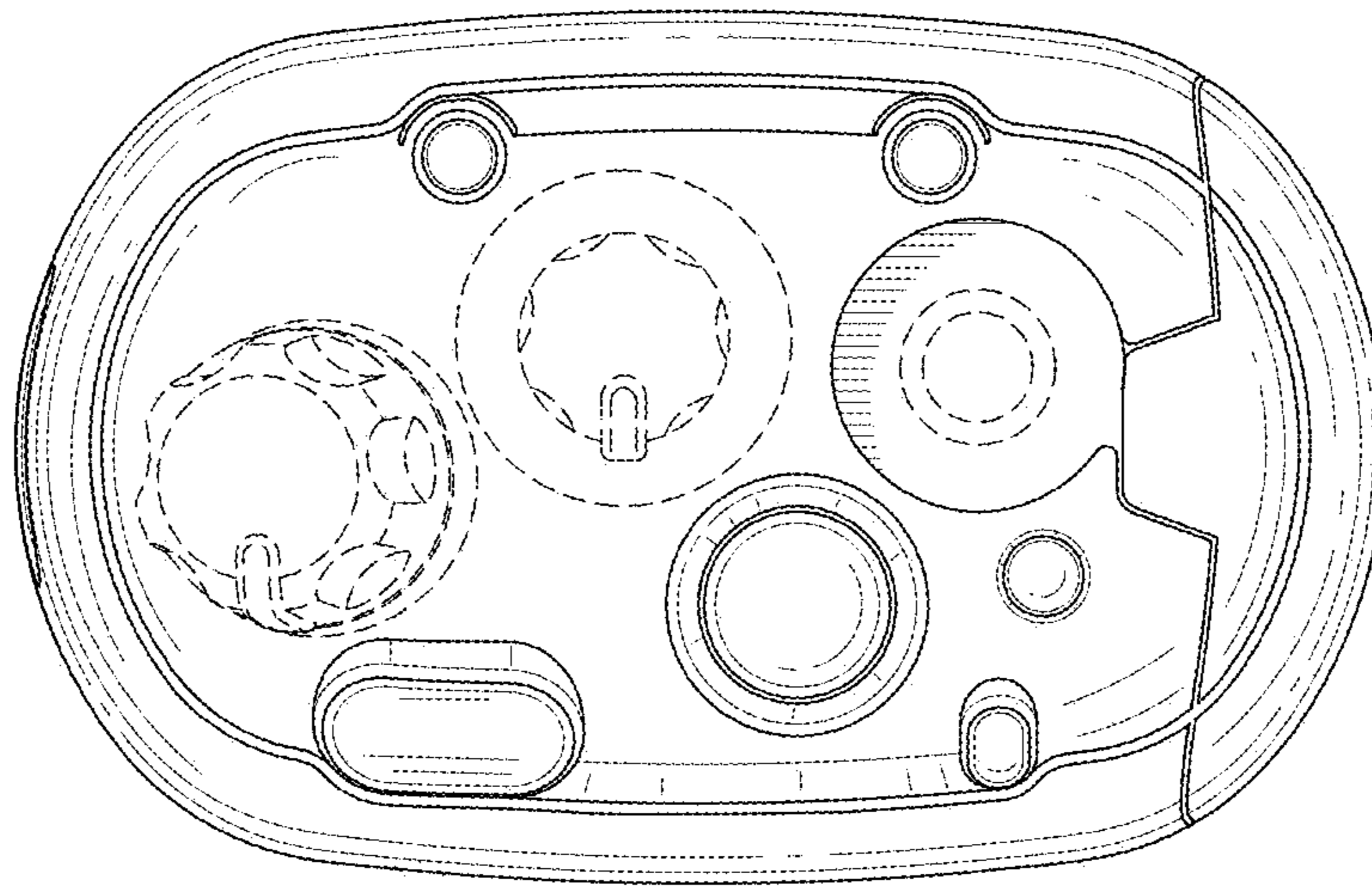


FIG. 16

