

US00D730865S

(12) **United States Design Patent**  
**Holzer**

(10) **Patent No.:** **US D730,865 S**  
(45) **Date of Patent:** **\*\* Jun. 2, 2015**

(54) **BLUETOOTH STEREO CLOCK RADIO**

(71) Applicant: **Eric Holzer**, Piscataway, NJ (US)

(72) Inventor: **Eric Holzer**, Piscataway, NJ (US)

(73) Assignee: **SDI TECHNOLOGIES, INC.**, Rahway, NJ (US)

(\*\*) Term: **14 Years**

(21) Appl. No.: **29/493,600**

(22) Filed: **Jun. 11, 2014**

(51) **LOC (10) Cl.** ..... **14-01**

(52) **U.S. Cl.**  
USPC ..... **D14/171**

(58) **Field of Classification Search**  
USPC ..... D14/496, 498-511, 157, 168-171,  
D14/188-198, 203.1-203.7; 312/7.1;  
369/6-12; 370/342-344;  
455/90.1-90.3, 344-355  
CPC ..... H04B 1/06; H04B 1/08; H04B 1/086;  
H04M 1/04; H04M 1/21; H04W 4/02; H04W  
4/06  
See application file for complete search history.

(56) **References Cited**

**U.S. PATENT DOCUMENTS**

D510,347 S	*	10/2005	Martin	.....	D14/299
D563,386 S	*	3/2008	Foster	.....	D14/214
D577,709 S	*	9/2008	Skurdal	.....	D14/171
D586,327 S	*	2/2009	Shimizu	.....	D14/188
D622,258 S	*	8/2010	Joseph	.....	D14/171

D642,154 S	*	7/2011	Poandl	.....	D14/171
D656,919 S	*	4/2012	Skurdal	.....	D14/171
D666,577 S	*	9/2012	Skurdal	.....	D14/171
D671,521 S	*	11/2012	Song et al.	.....	D14/168
D676,413 S	*	2/2013	Poandl	.....	D14/171
D695,705 S	*	12/2013	Shimizu et al.	.....	D14/172

**OTHER PUBLICATIONS**

U.S. Appl. No. 29/467,205, filed Sep. 2013, Poandl.

\* cited by examiner

*Primary Examiner* — Sandra Morris

(74) *Attorney, Agent, or Firm* — Ostrolenk Faber LLP

(57) **CLAIM**

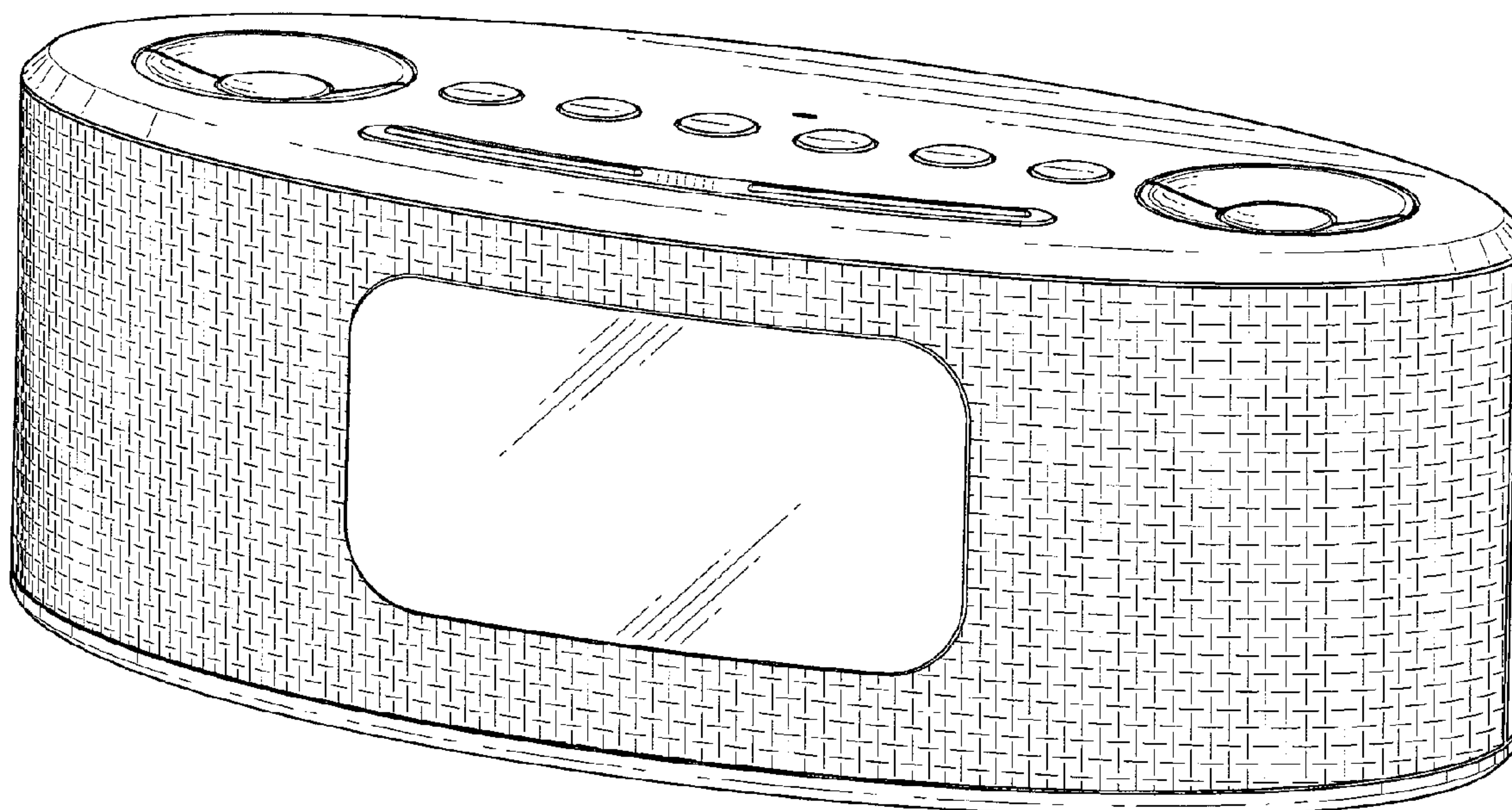
The ornamental design for a Bluetooth stereo clock radio, as shown and described.

**DESCRIPTION**

FIG. 1 is a top, front, perspective view of a Bluetooth stereo clock radio showing my new design; FIG. 2 is a front view thereof; FIG. 3 is a rear view thereof; FIG. 4 is a top view thereof; FIG. 5 is a bottom view thereof; FIG. 6 is a side view thereof, the opposite side view being a mirror image; FIG. 7 is a cross-sectional view thereof along line 7-7 in FIG. 4; and, FIG. 8 is a cross-sectional view thereof along line 8-8 in FIG. 3.

The broken lines in the drawings illustrate environmental material that forms no part of the claimed design.

**1 Claim, 8 Drawing Sheets**



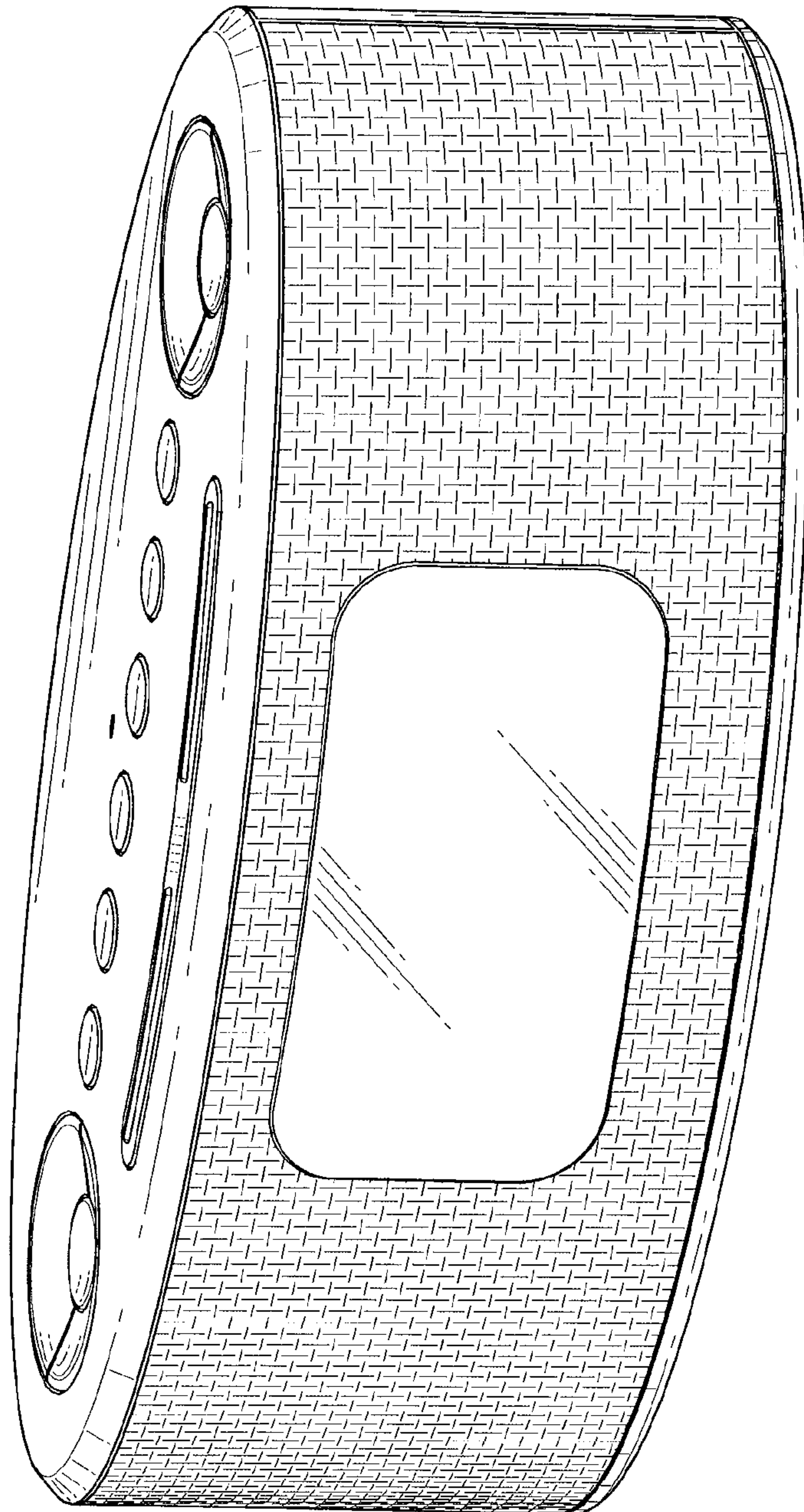


FIG. 1

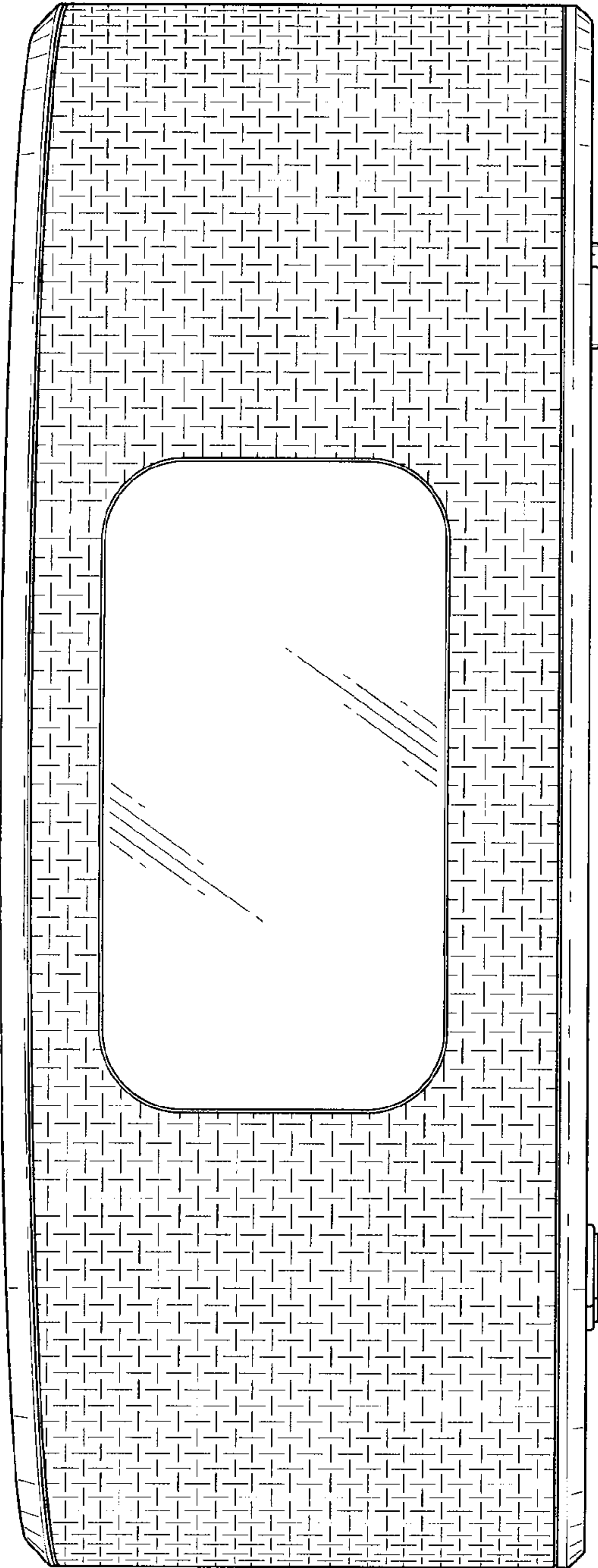


FIG. 2

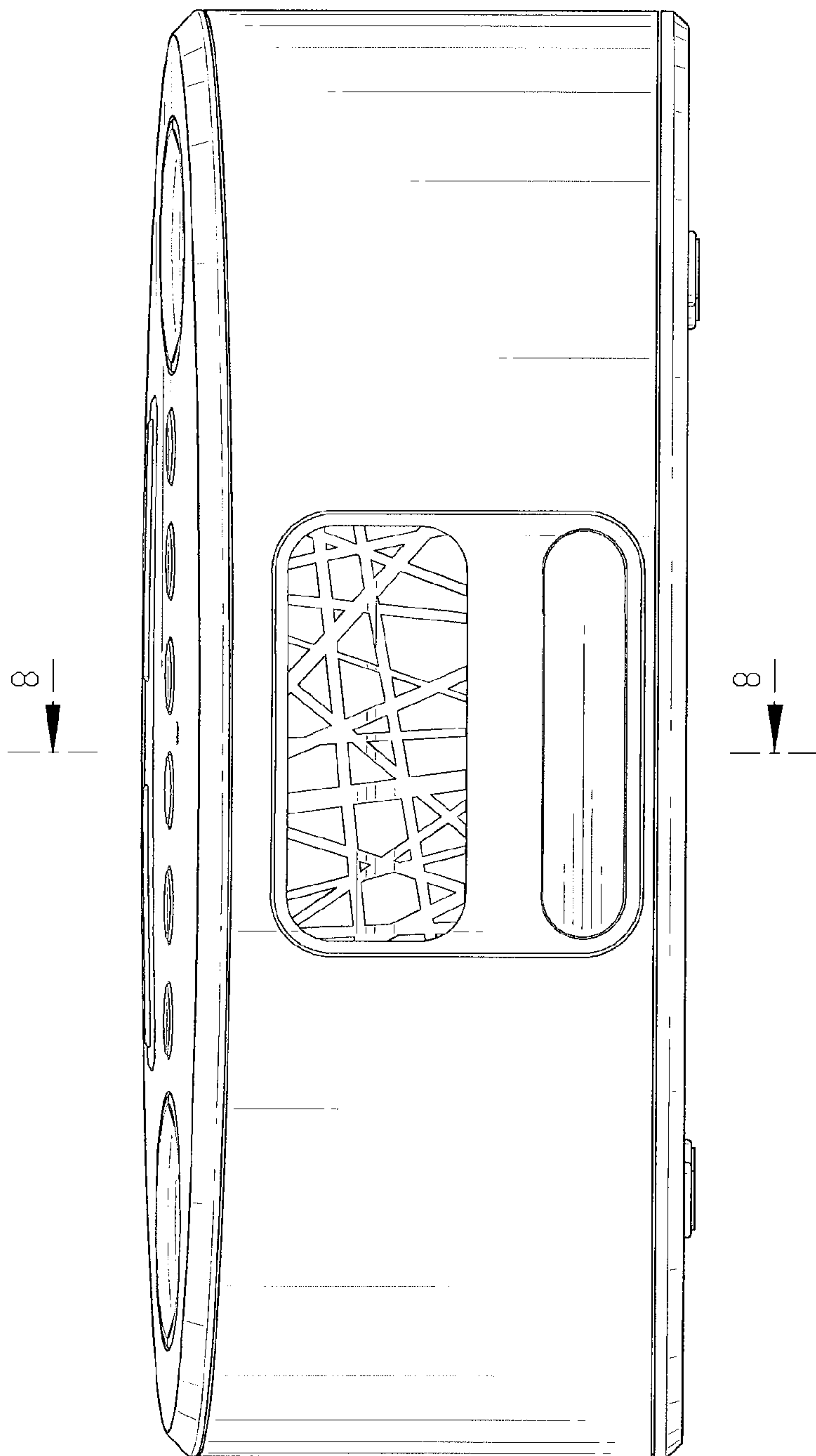


FIG. 3



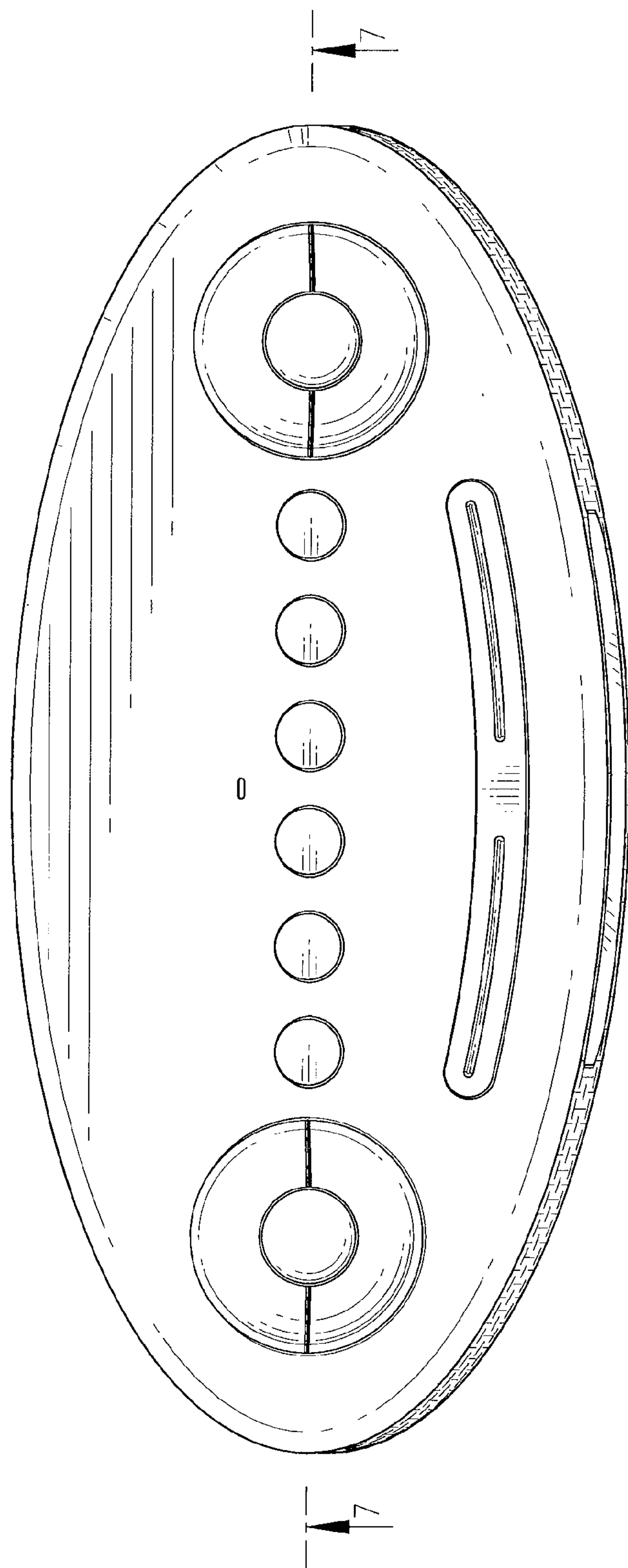


FIG. 4

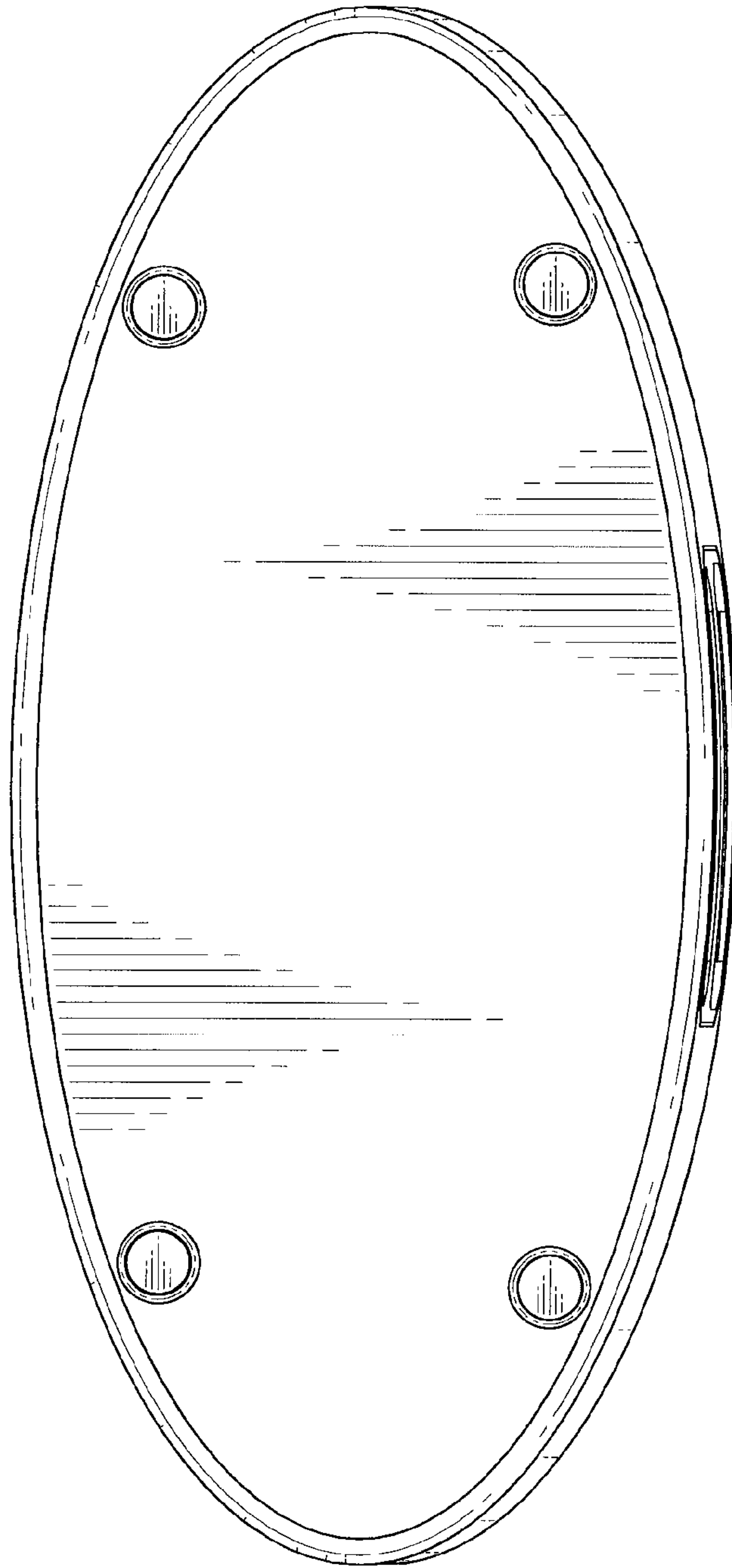


FIG. 5

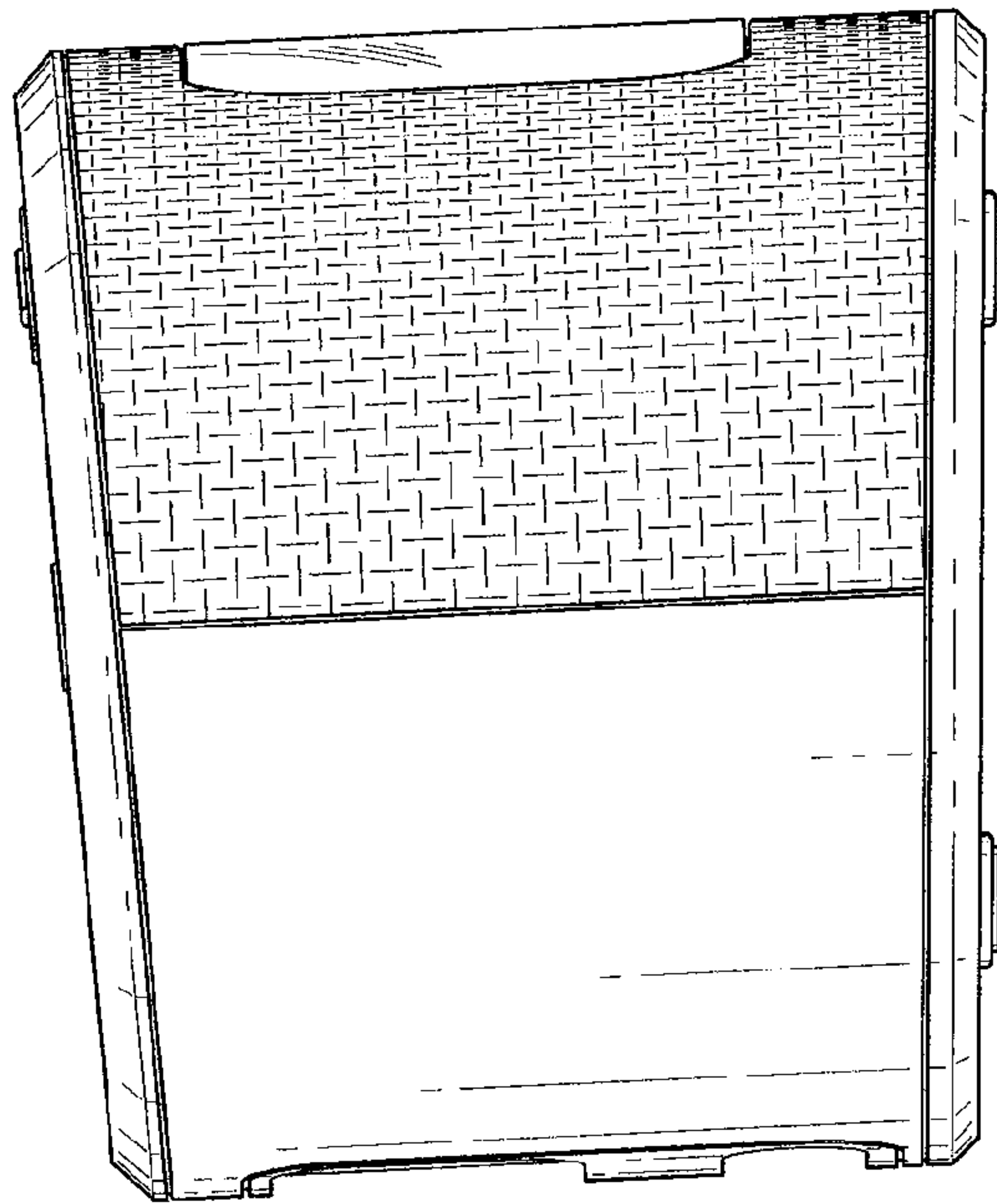


FIG. 6

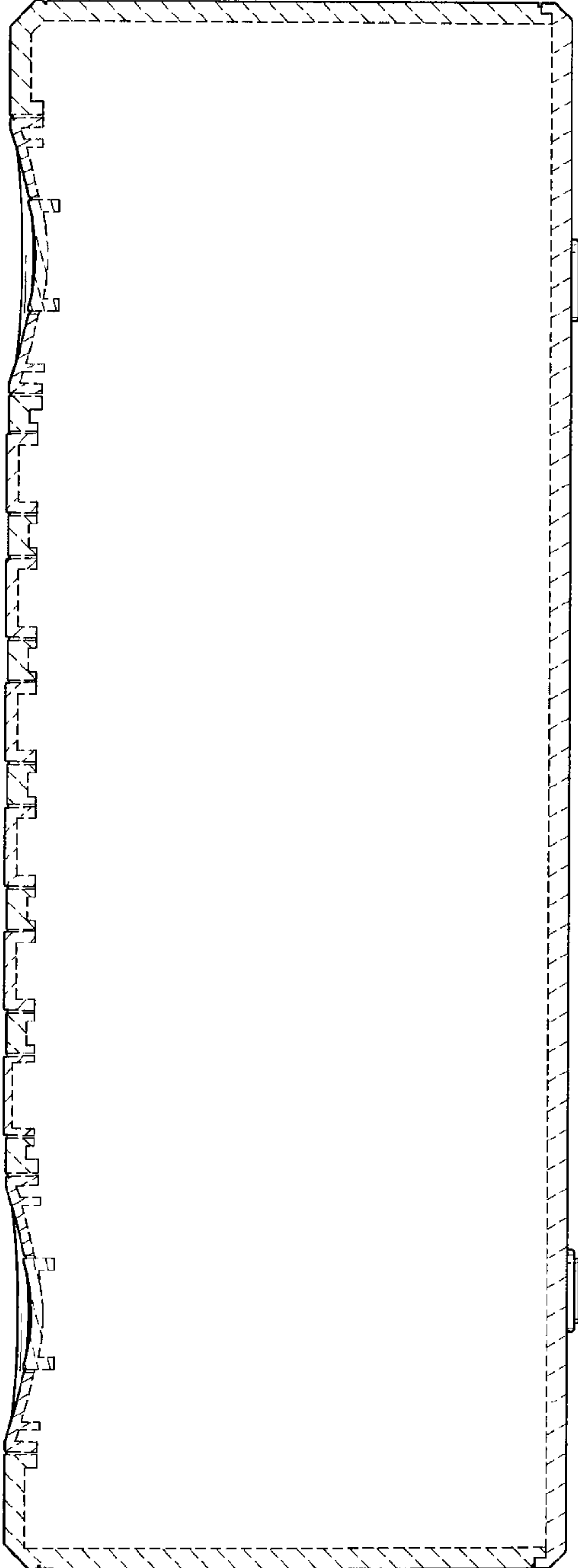


FIG. 7



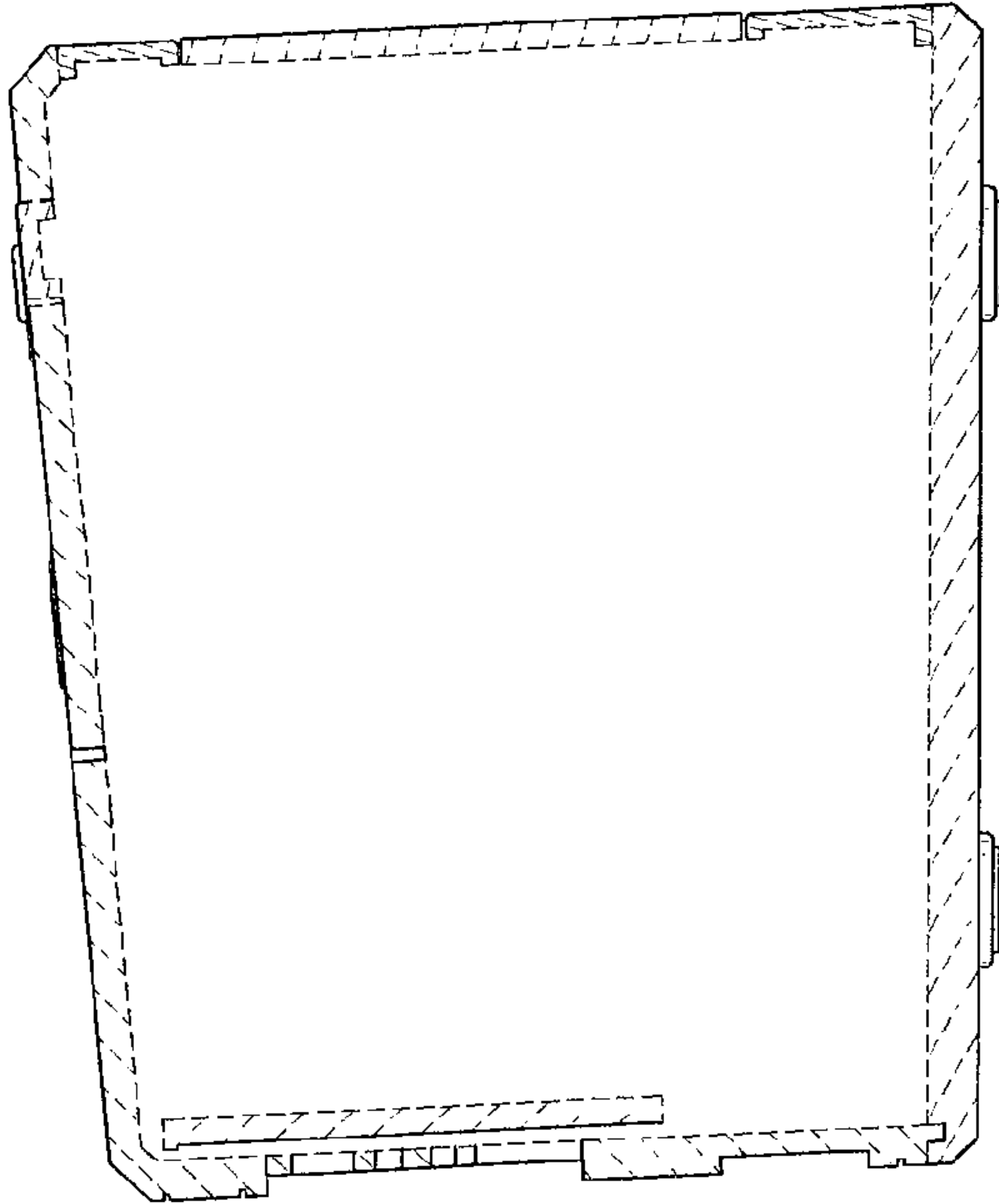


FIG. 8