



US00D730864S

(12) **United States Design Patent**  
**Stewart**

(10) **Patent No.:** **US D730,864 S**  
(45) **Date of Patent:** **\*\* Jun. 2, 2015**

(54) **REMOTE CONTROL ENTERTAINMENT TOY TRUCK**

(76) Inventor: **Vincent Leslie Stewart, Miami, FL (US)**

(\*\*) Term: **14 Years**

(21) Appl. No.: **29/413,824**

(22) Filed: **Feb. 21, 2012**

(51) **LOC (10) Cl.** ..... **14-03**

(52) **U.S. Cl.**  
USPC ..... **D14/168; D14/207; D21/552**

(58) **Field of Classification Search**  
USPC ..... D14/131, 167, 168, 170-172, 176, 188, D14/189, 194-196, 204, 207, 213-215, D14/221; 181/143, 144, 147, 148, 150, 153, 181/157, 198, 199; 381/300-303, 306, 332, 381/333, 336, 345, 361-364, 386-388; 369/6-12; 455/90.1-90.3, 344-355; D21/483, 533, 548, 552, 560

CPC .... B60R 11/0217; G06F 1/1688; H04M 1/03; H04M 1/035; H04N 5/642; H04N 21/4852; H04R 1/02; H04R 1/06; H04R 1/021; H04R 1/025; H04R 1/026; H04R 1/028; H04R 1/105; H04R 1/323; H04R 10/403; H04R 1/2803; H04R 1/2834; H04R 5/02; H04R 7/20; H04R 9/06; H04R 9/025; H04R 2201/021; H04R 2400/00; H04R 2400/07; H04R 2499/11; H04R 2499/13; H04R 2499/15; H04S 3/00; H04S 7/30

See application file for complete search history.

(56) **References Cited**

**U.S. PATENT DOCUMENTS**

D175,742 S \* 10/1955 Ruiz et al. .... D6/388  
D350,284 S \* 9/1994 Ran ..... D9/676  
D371,959 S \* 7/1996 Hupp ..... D9/676  
D388,952 S \* 1/1998 Rosell, Jr. .... D3/203.6

D410,506 S \* 6/1999 Lam ..... D21/552  
D445,465 S \* 7/2001 Ma ..... D21/552  
D445,466 S \* 7/2001 Ma ..... D21/552  
D464,639 S \* 10/2002 White ..... D14/207  
D487,887 S \* 3/2004 Hutchinson ..... D14/508  
D550,787 S \* 9/2007 Stewart ..... D21/552  
D601,128 S \* 9/2009 Willis ..... D14/217  
D603,838 S \* 11/2009 Willis ..... D14/217  
D603,839 S \* 11/2009 Willis ..... D14/217  
D614,169 S \* 4/2010 Jiang et al. .... D14/209.1

\* cited by examiner

*Primary Examiner* — Keli L Hill

(74) *Attorney, Agent, or Firm* — Melvin K. Silverman

(57) **CLAIM**

The ornamental design for remote control entertainment toy truck, as shown and described.

**DESCRIPTION**

FIG. 1 is a side elevation view of a remote control entertainment toy truck, embodying my new design, shown with the cover in a closed position;

FIG. 2 is an alternate elevation view thereof, showing the same side seen in FIG. 1 with the cover removed;

FIG. 3 is an additional alternate elevational view thereof, showing the same side seen in FIG. 1 with the cover removed and the speakers in an alternate position outside the toy truck body;

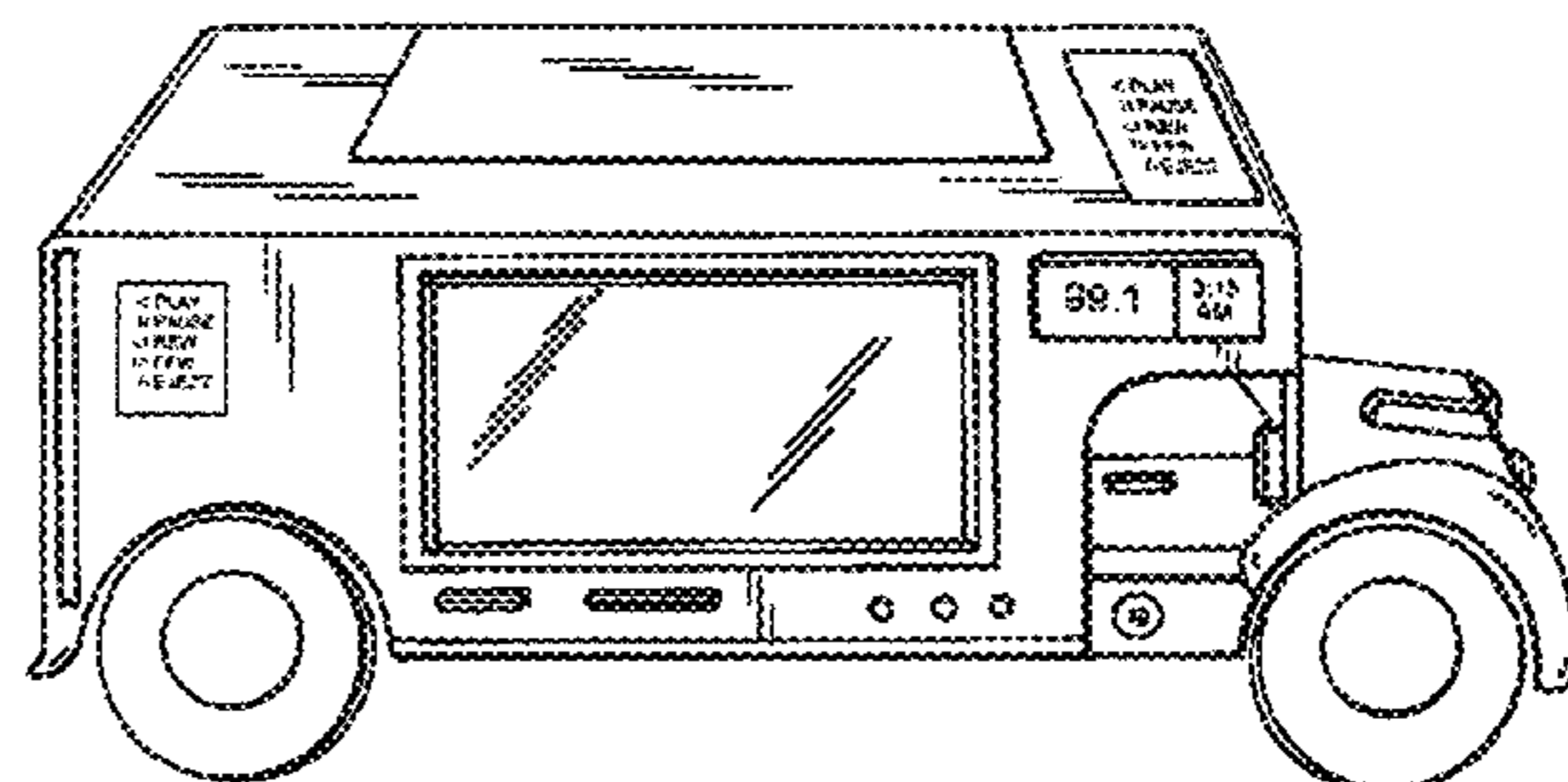
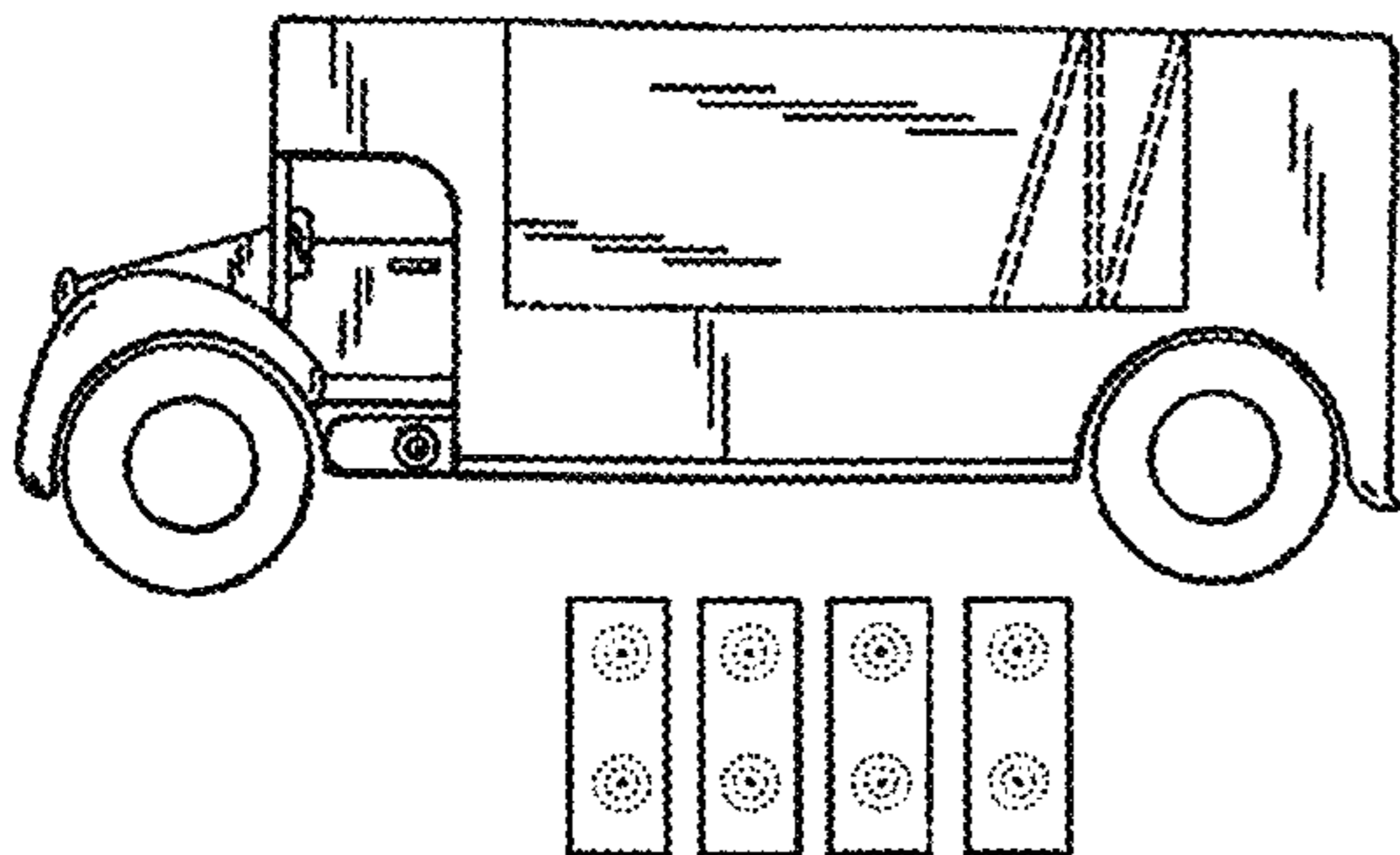
FIG. 4 is a top, front and side perspective view thereof, showing the opposite side of that seen in FIGS. 1-3;

FIG. 5 is a side elevation view of FIG. 4;

FIG. 6 is an alternate top, front and side perspective view thereof, showing the side seen in FIGS. 1-3, with the cover in an alternate position; and,

FIG. 7 is a top plan view thereof, shown with the cover closed. The broken lines shown are included for purposes of illustrating portions of the remote control entertainment toy truck that form no part of the claim.

**1 Claim, 4 Drawing Sheets**



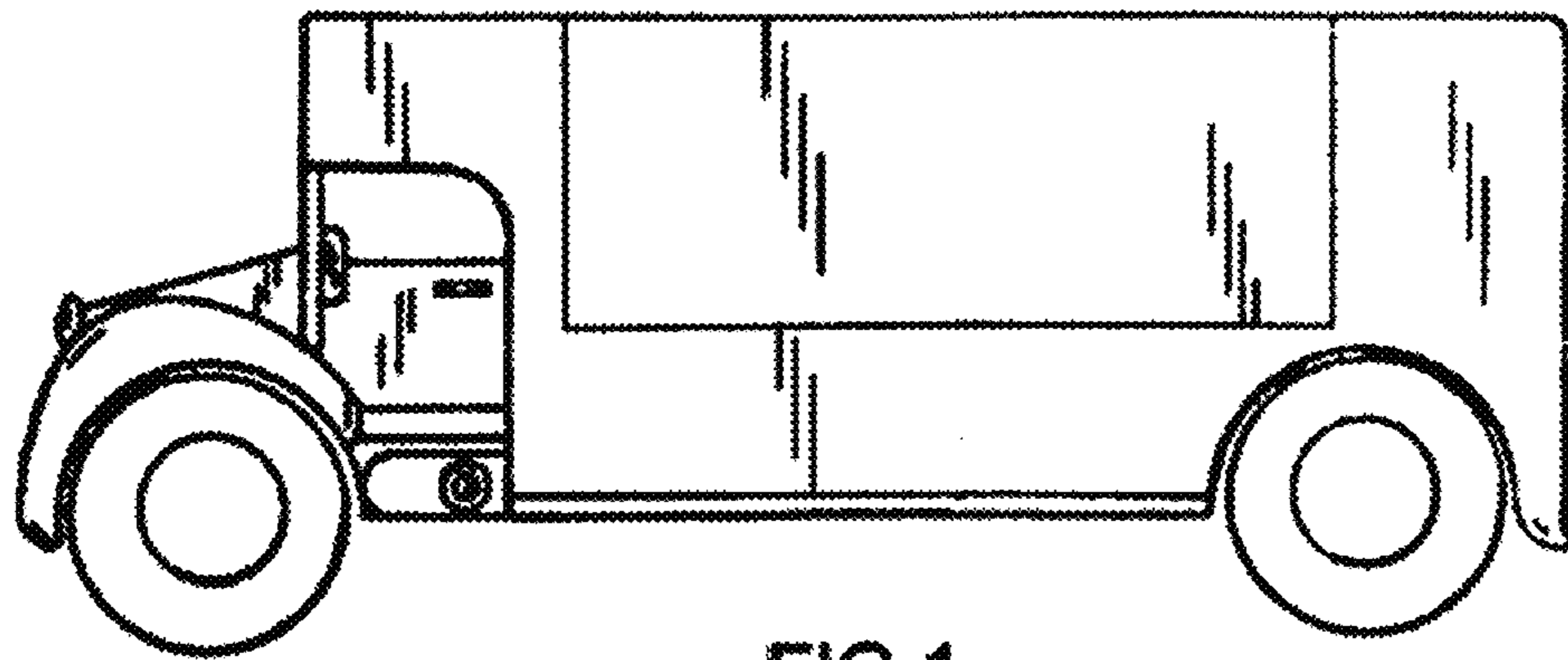


FIG.1

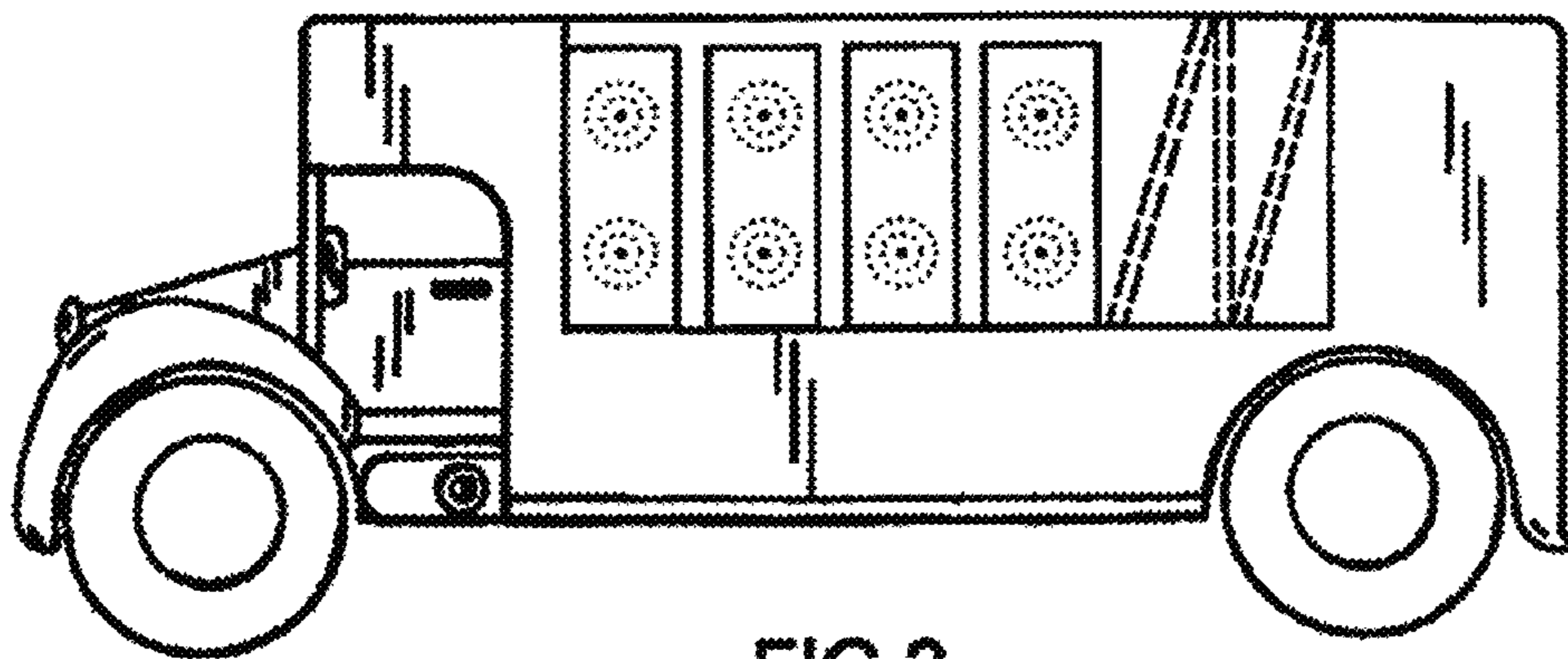
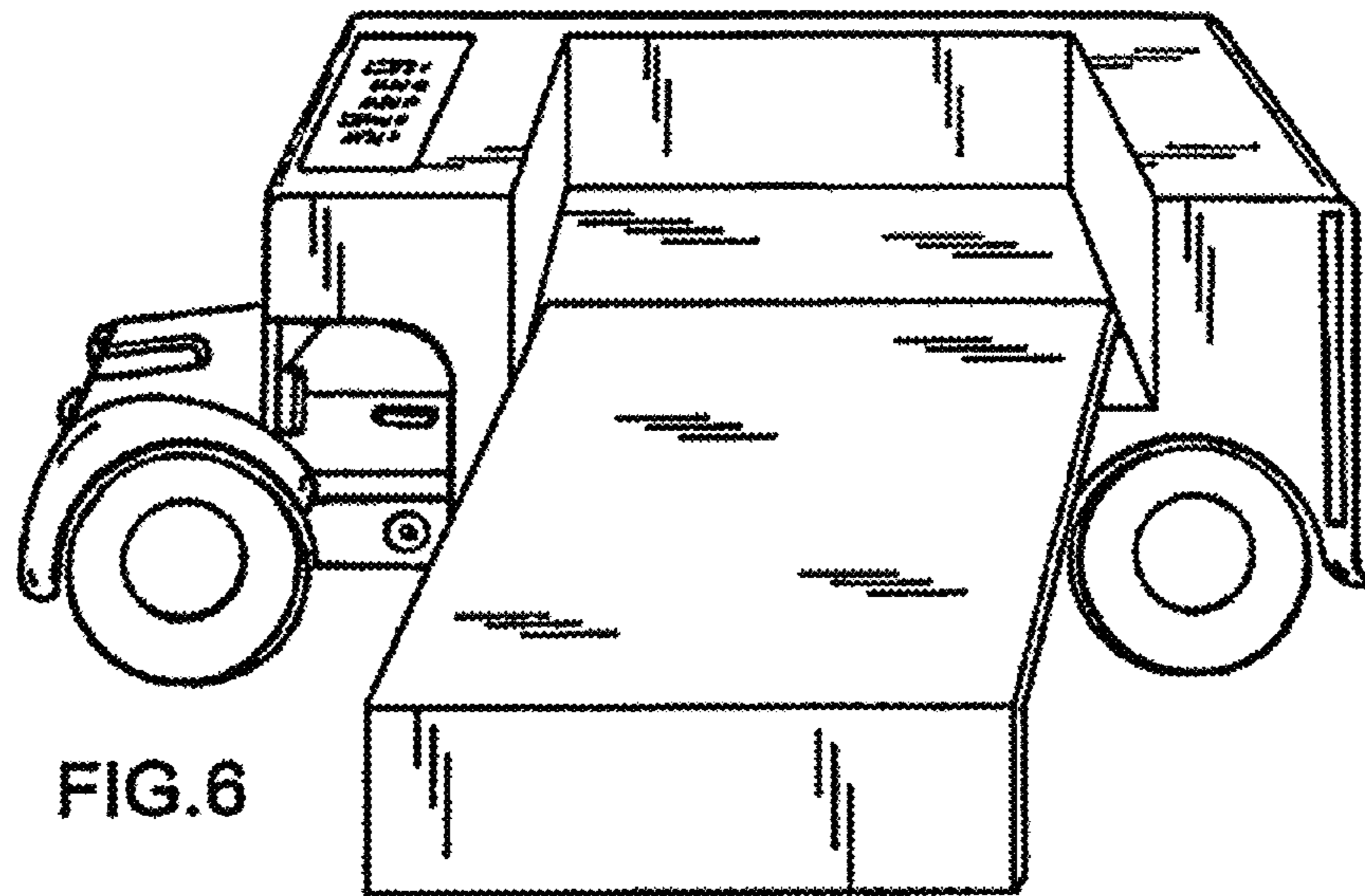
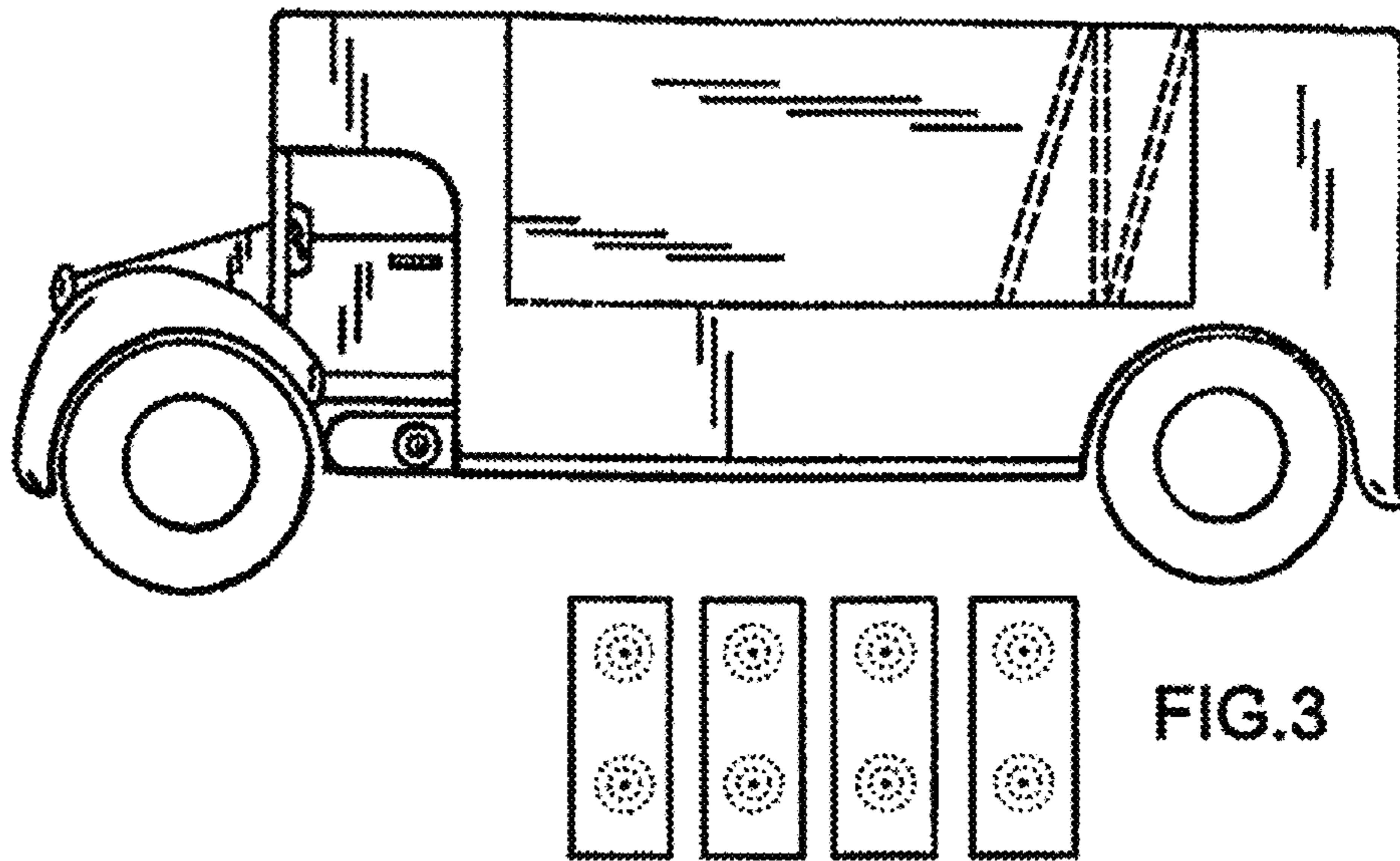


FIG.2





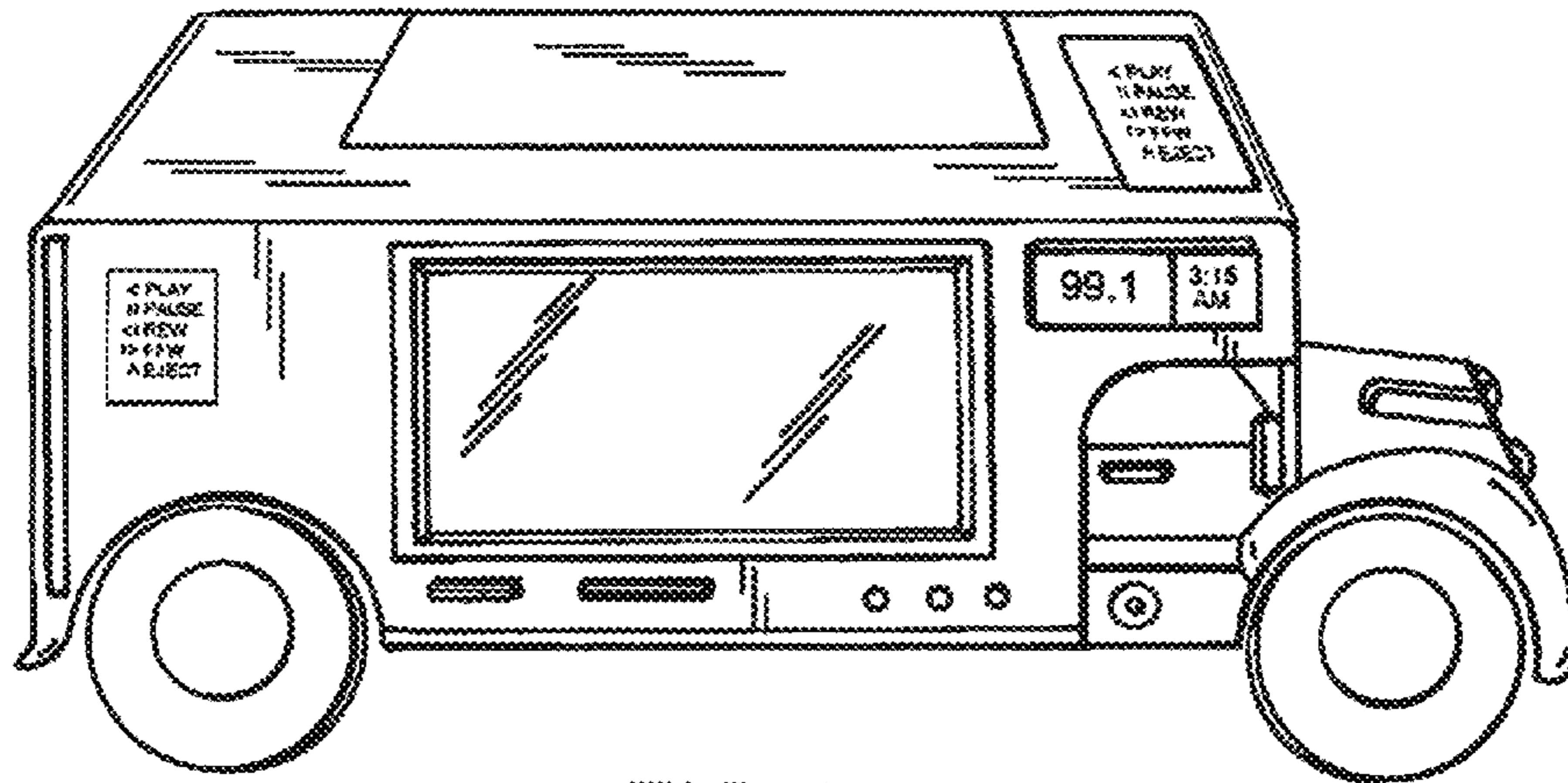


FIG. 4

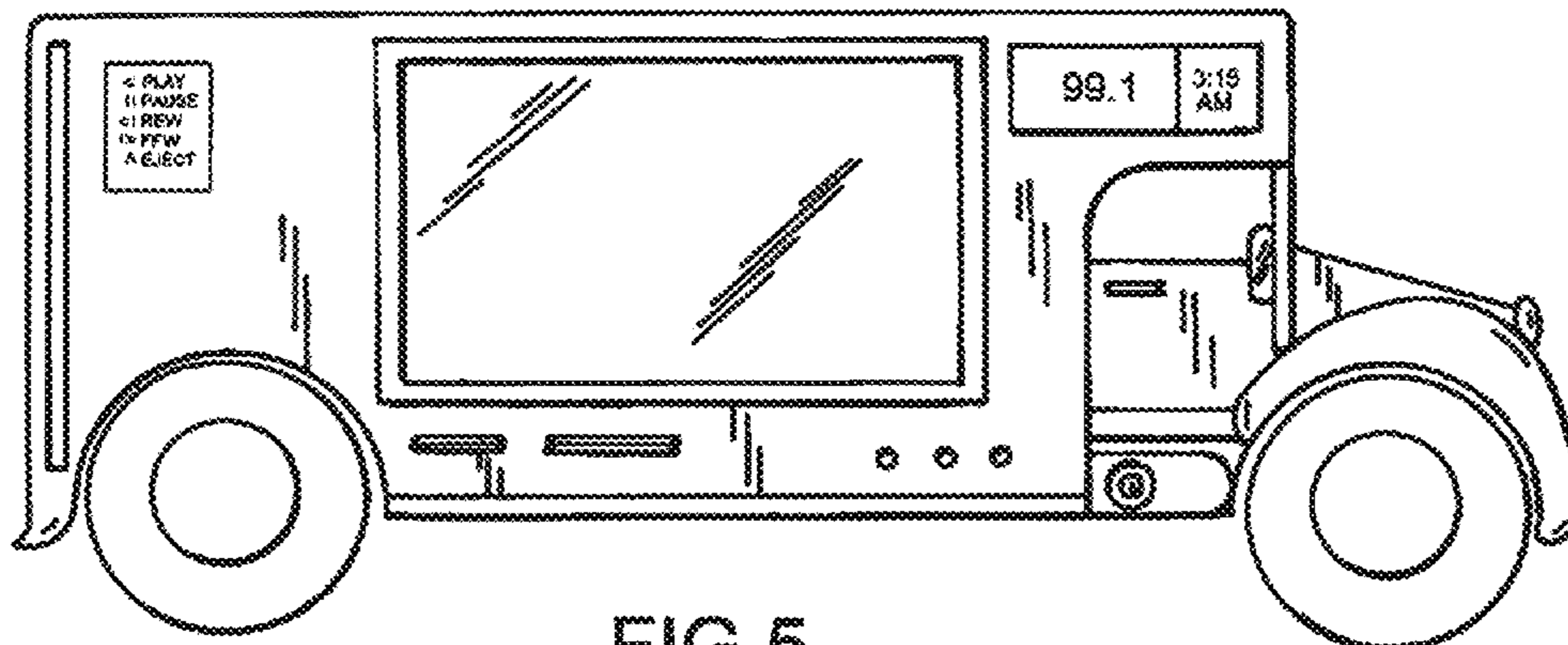


FIG. 5

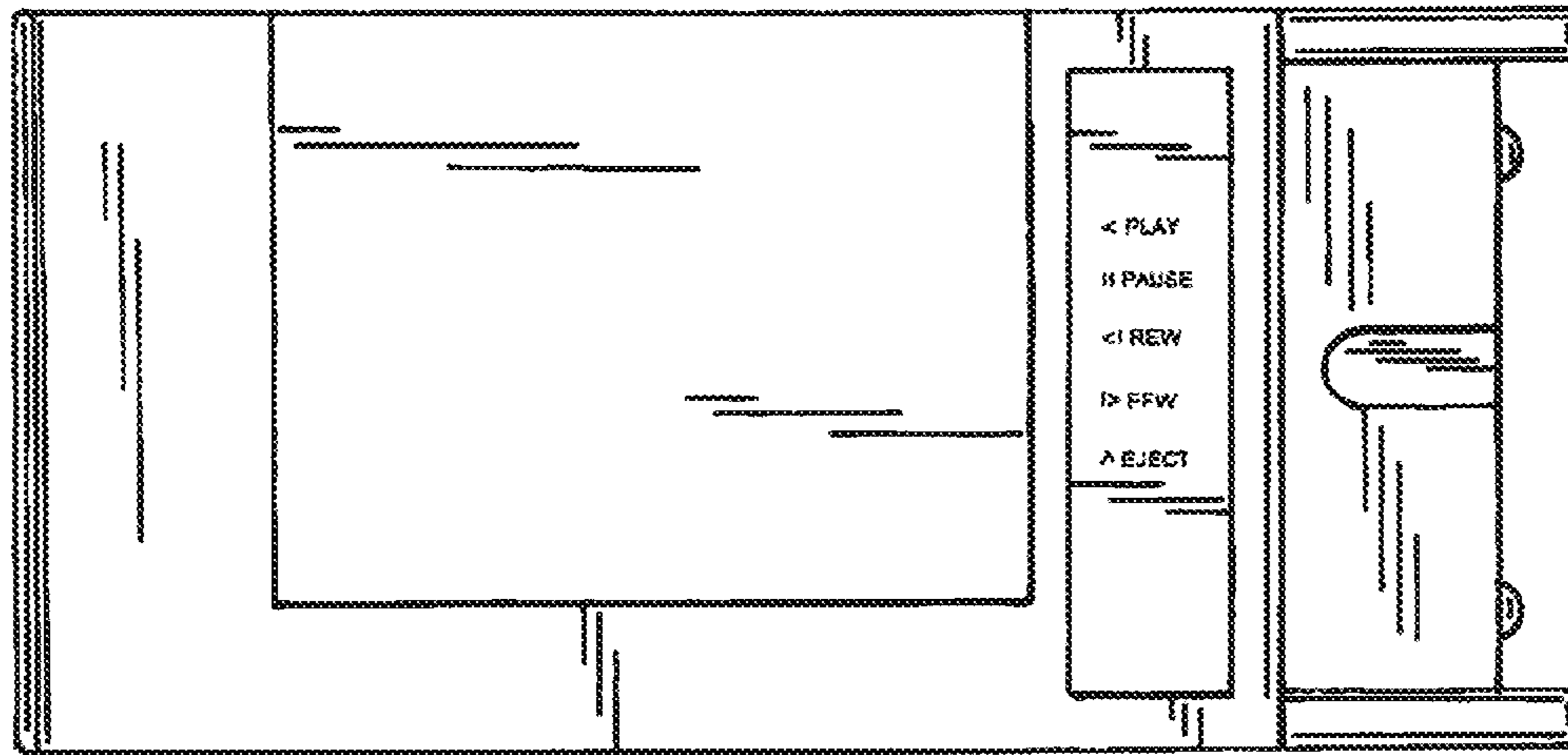


FIG. 7