



US00D730855S

(12) **United States Design Patent**
Kim et al.

(10) **Patent No.:** **US D730,855 S**
(45) **Date of Patent:** **** Jun. 2, 2015**

(54) **TELEVISION RECEIVER**

(56) **References Cited**

(71) Applicant: **LG Electronics Inc.**, Seoul (KR)

U.S. PATENT DOCUMENTS

(72) Inventors: **Taeho Kim**, Seoul (KR); **Junki Kim**, Seoul (KR); **Yoonkyeong Lee**, Seoul (KR)

| | | | | |
|--------------|---------|------------|-------|---------|
| D548,206 S * | 8/2007 | Han | | D14/126 |
| D581,378 S * | 11/2008 | Chiu | | D14/126 |
| D649,950 S * | 12/2011 | Chiu | | D14/126 |
| D680,979 S * | 4/2013 | Chen | | D14/126 |
| D720,316 S * | 12/2014 | Huh et al. | | D14/126 |
| D724,042 S * | 3/2015 | Chang | | D14/126 |

(73) Assignee: **LG Electronics Inc.**, Seoul (KR)

* cited by examiner

(**) Term: **14 Years**

Primary Examiner — Raphael Barkai

(21) Appl. No.: **29/460,458**

(74) *Attorney, Agent, or Firm* — Morgan, Lewis & Bockius LLP

(22) Filed: **Jul. 11, 2013**

(57) **CLAIM**

The ornamental design for a television receiver, as shown and described.

(30) **Foreign Application Priority Data**

DESCRIPTION

Jan. 11, 2013 (KR) 30-2013-0001929

(51) **LOC (10) Cl.** **14-03**

FIG. 1 is a perspective view of a television receiver showing our new design;

(52) **U.S. Cl.**

FIG. 2 is a front view thereof;

USPC **D14/126**

FIG. 3 is a rear view thereof;

(58) **Field of Classification Search**

USPC D14/125–134, 239, 371, 136, 374–377,
D14/440, 450, 448, 336, 342, 159; 312/7.2;
348/836, 838, 180, 184, 325, 739;
248/917–924, 465; 345/104, 133, 156,
345/168, 87, 173; D21/329, 515, 577, 622,
D21/333, 433, 448, 452, 450, 331, 505;
D10/15, 26; 446/484, 175, 356;
D6/477, 479, 300; D24/185; D34/14
CPC ... G06F 1/1601; G06F 1/1643; H05K 5/0004;
H05K 5/0017; H05K 5/02; H05K 5/0217

FIG. 4 is a left side view thereof where the right side view is a mirror image;

FIG. 5 is a top plan view thereof;

FIG. 6 is a bottom plan view thereof;

FIG. 7 is a rear perspective view thereof; and,

FIG. 8 is an enlarged view taken along line 1-1'/2-2'/3-3'/4-4' of FIG. 4.

The dashed broken lines are for illustrative purposes only and form no part of the claimed design. The dash-dot broken lines define the bounds of the claimed design and form no part thereof.

See application file for complete search history.

1 Claim, 7 Drawing Sheets

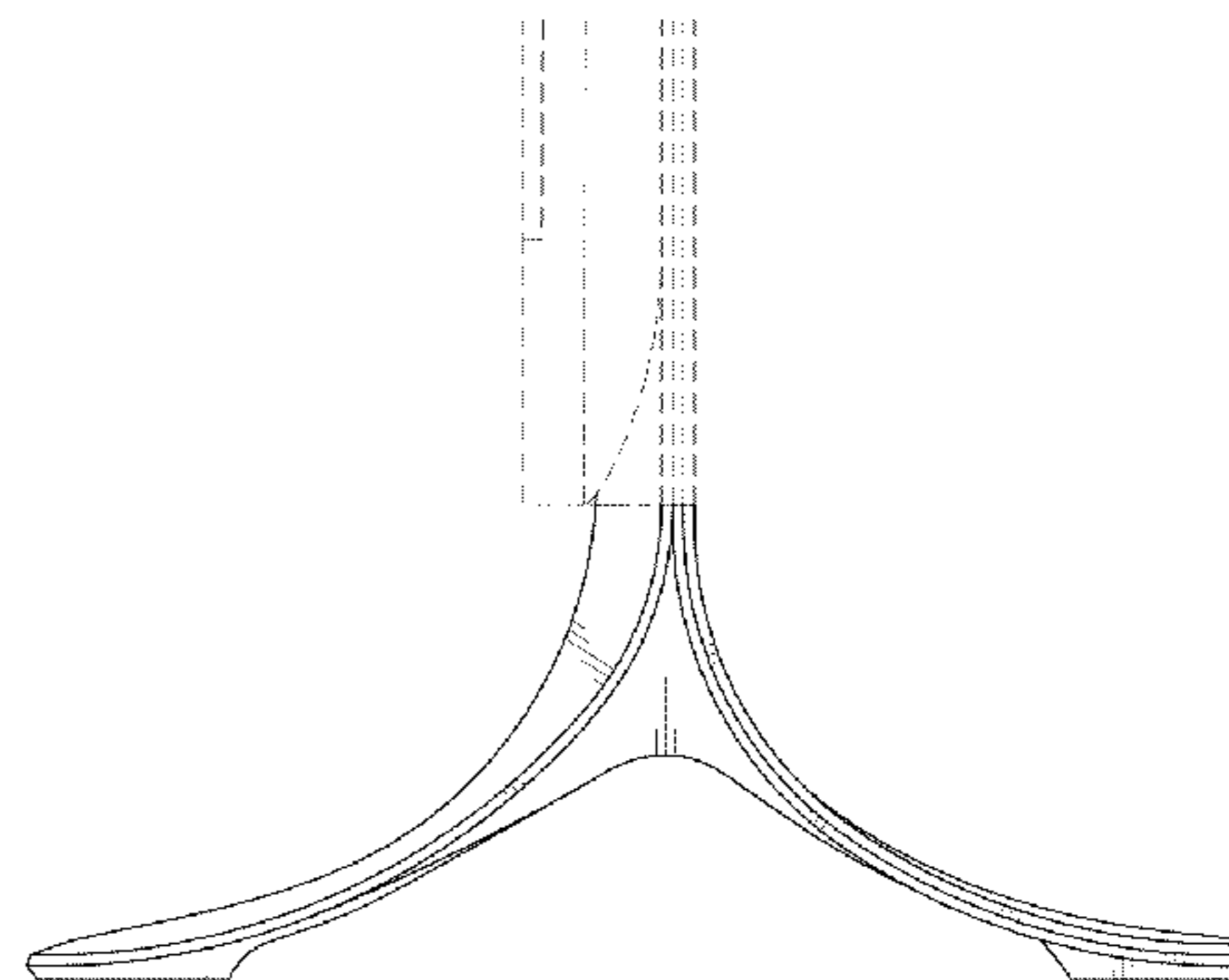
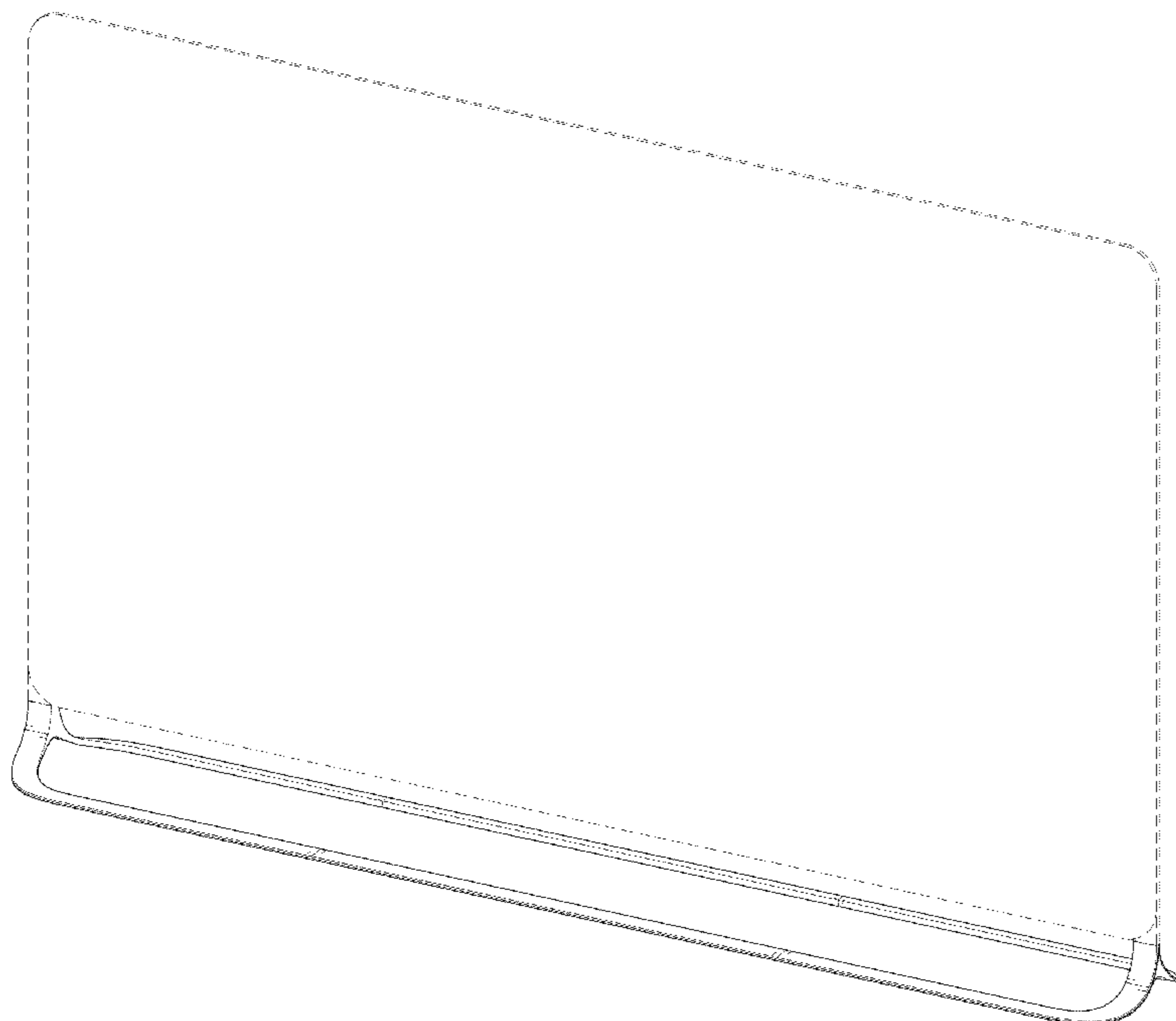


FIG. 1

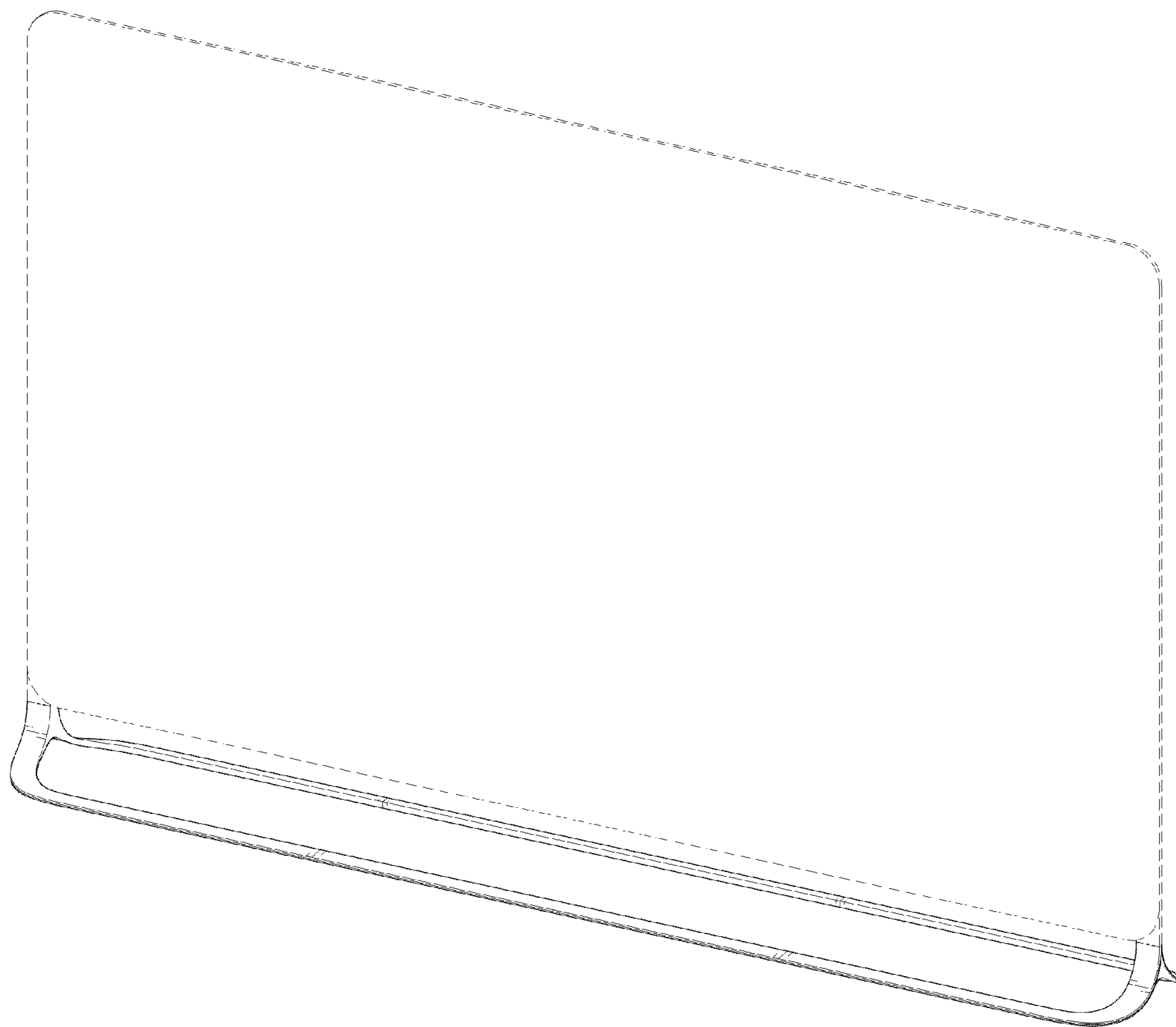


FIG. 2

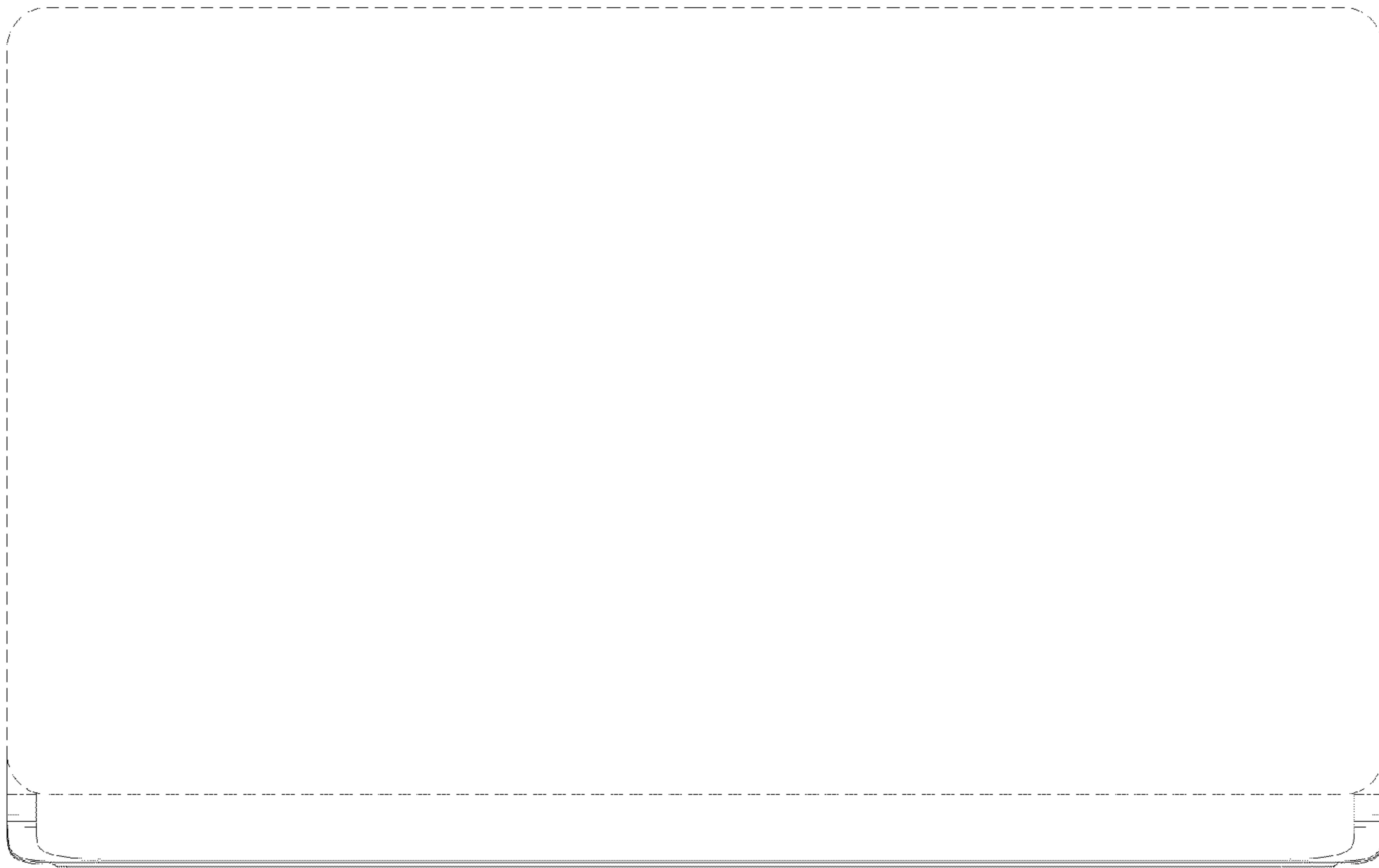


FIG. 3

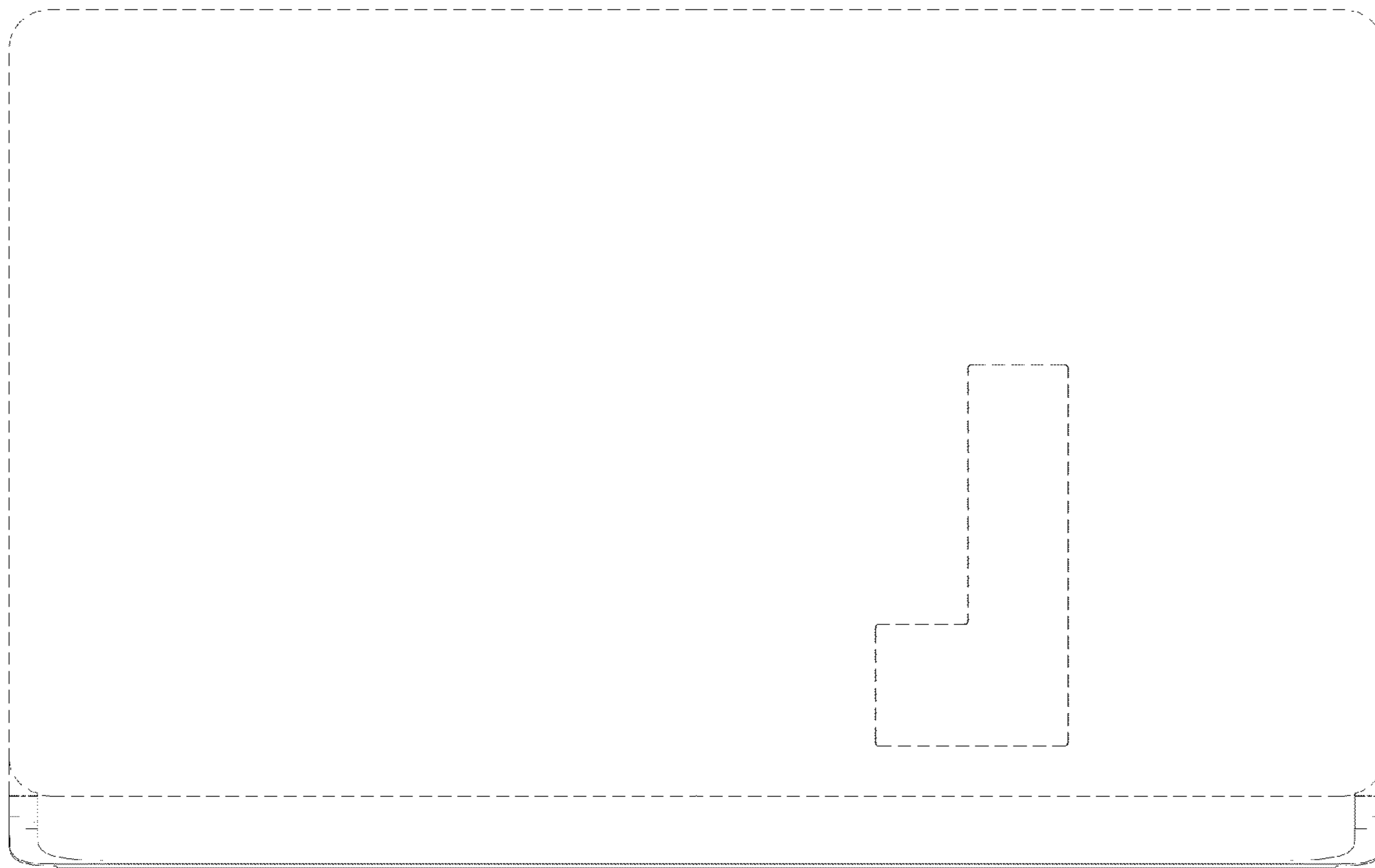


FIG. 4

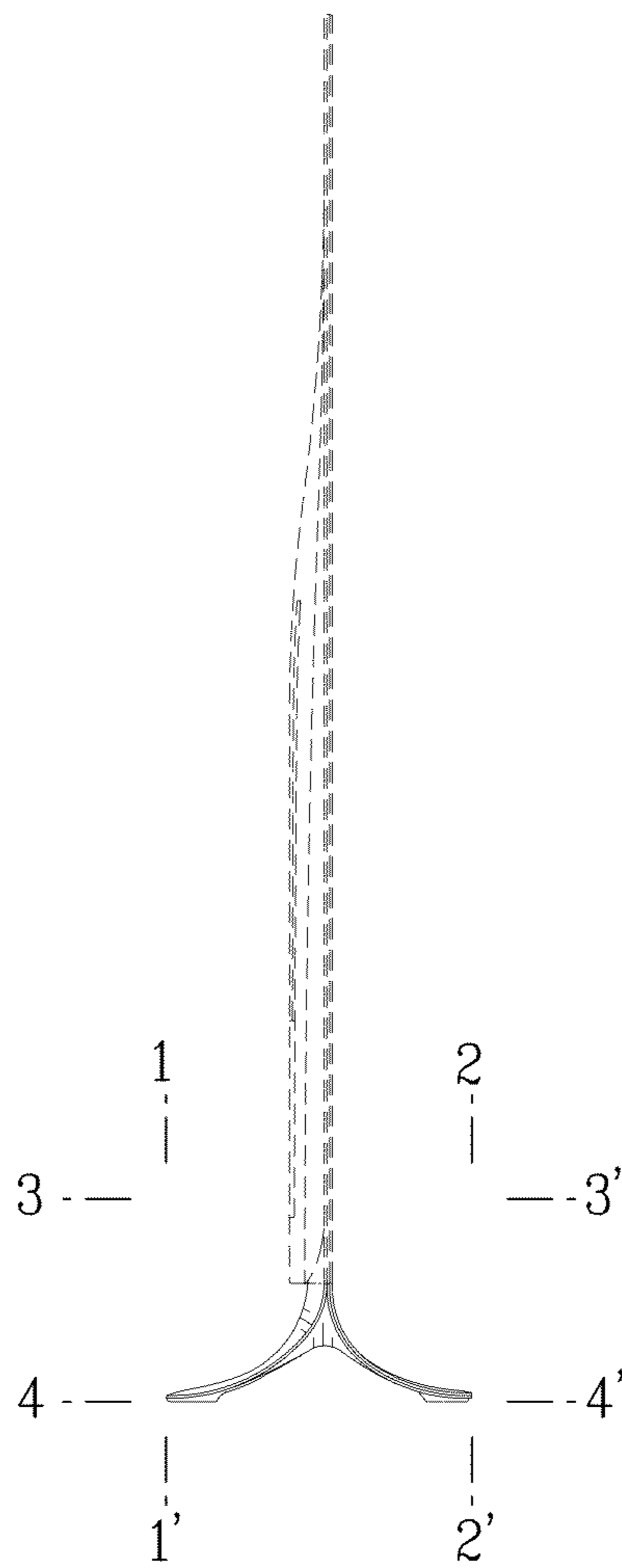


FIG. 5

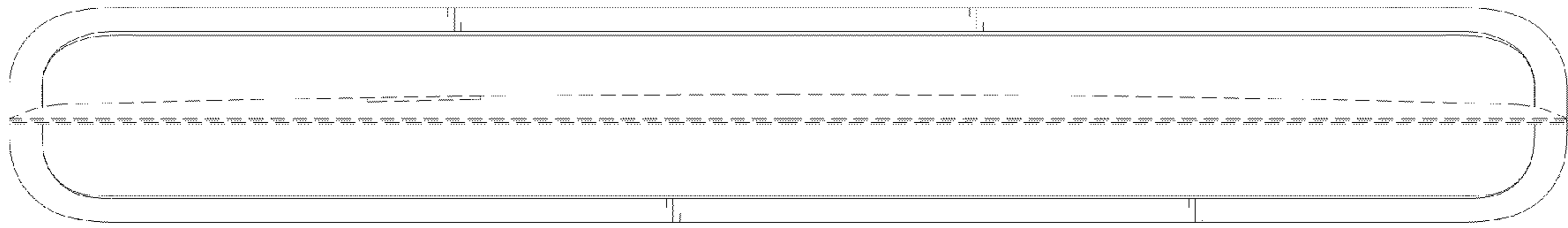


FIG. 6

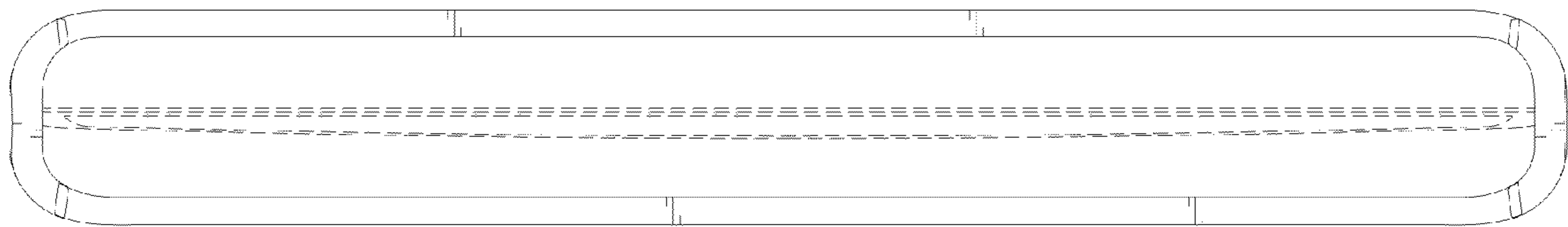


FIG. 7

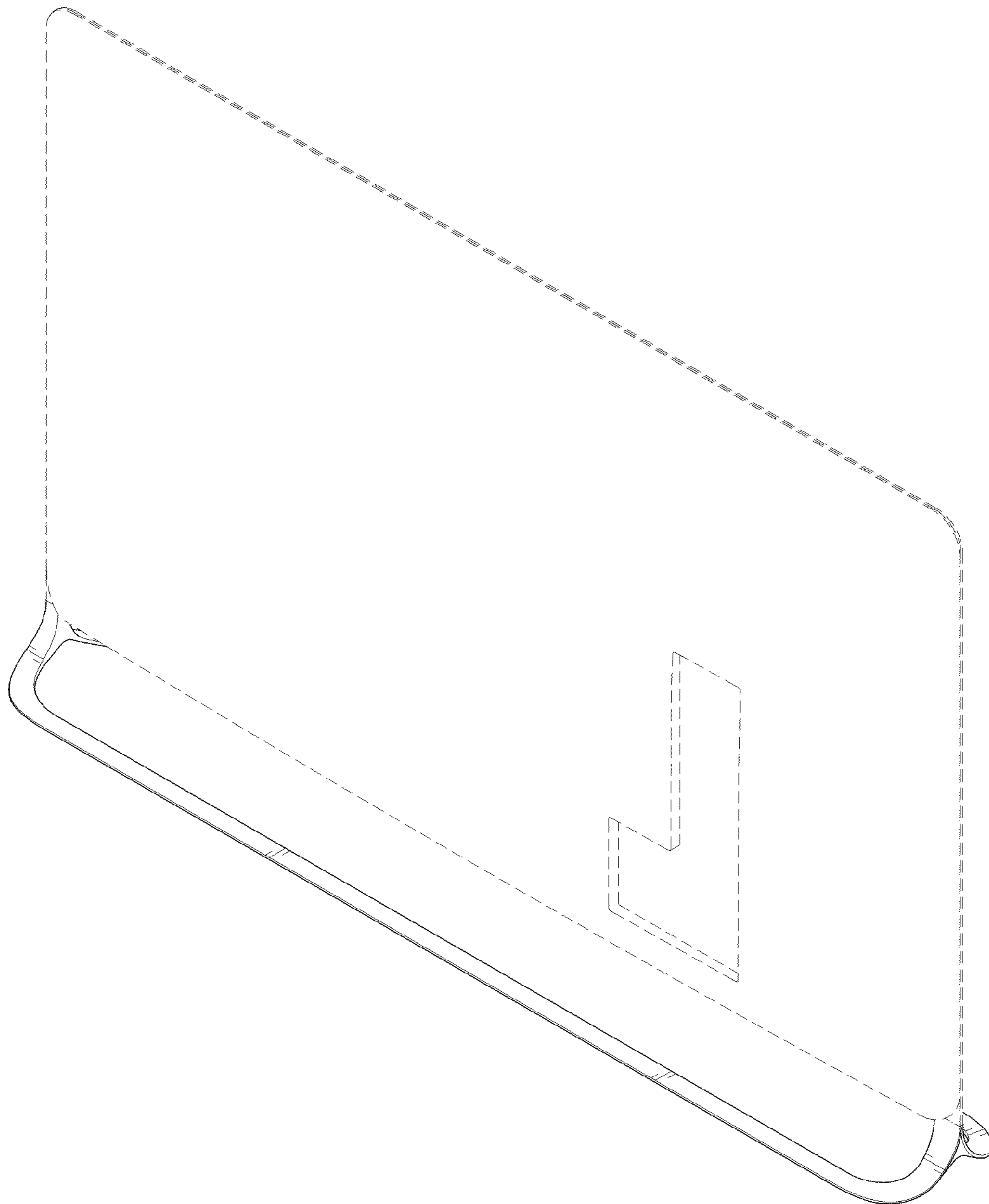


FIG. 8

