



US00D730853S

(12) **United States Design Patent**
Choi et al.

(10) **Patent No.:** **US D730,853 S**
(45) **Date of Patent:** **** Jun. 2, 2015**

(54) **MONITOR**

(56) **References Cited**

(71) Applicant: **Samsung Electronics Co., Ltd.**,
Suwon-si (KR)

U.S. PATENT DOCUMENTS

(72) Inventors: **Jin-Ho Choi**, Seoul (KR); **Diana Min-Sun Kang**, Seoul (KR)

1,370,279	A	*	3/1921	Burzynski	248/459
D650,764	S	*	12/2011	Chiu	D14/126
D673,158	S	*	12/2012	Yang et al.	D14/440
D679,279	S	*	4/2013	Yang et al.	D14/440
D694,245	S	*	11/2013	Sanz	D14/440
D703,626	S	*	4/2014	Hermansen	D14/126
2012/0194448	A1	*	8/2012	Rothkopf	345/173

(73) Assignee: **Samsung Electronics Co., Ltd.**,
Suwon-si (KR)

* cited by examiner

(**) Term: **14 Years**

Primary Examiner — Raphael Barkai

(21) Appl. No.: **29/457,611**

(74) *Attorney, Agent, or Firm* — NSIP Law

(22) Filed: **Jun. 11, 2013**

(57) **CLAIM**

The ornamental design for a monitor, as shown and described.

(30) **Foreign Application Priority Data**

DESCRIPTION

Dec. 12, 2012 (KR) 30-2012-0060026

(51) **LOC (10) Cl.** **14-03**

(52) **U.S. Cl.**

USPC **D14/126**

(58) **Field of Classification Search**

USPC D14/125-134, 239, 371, 136, 374-377,
D14/440, 450, 448, 336, 342, 159; 312/7.2;
348/836, 838, 180, 184, 325, 739;
248/917-924, 465; 345/104, 133, 156,
345/168, 87, 173; D21/329, 515, 577, 622,
D21/333, 433, 448, 452, 450, 331, 505;
D10/15, 26; 446/484, 175, 356;
D6/477, 479, 300; D24/185; D34/14
CPC ... G06F 1/1601; G06F 1/1643; H05K 5/0004;
H05K 5/0017; H05K 5/02; H05K 5/0217

See application file for complete search history.

FIG. 1 is a perspective view of a monitor, showing our new design;

FIG. 2 is a front view thereof;

FIG. 3 is a rear view thereof;

FIG. 4 is a left-side view thereof;

FIG. 5 is a right-side view thereof;

FIG. 6 is a top plan view thereof;

FIG. 7 is a bottom plan view thereof;

FIG. 8 is a rear perspective view thereof; and,

FIG. 9 is another right-side view thereof, showing another viewing position.

The broken lines are for environmental purposes only and form no part of the claimed design. The shade lines in the figures show contour and not surface ornamentation. The diagonal lines in FIGS. 1, 2, and 6 represent a reflective surface.

1 Claim, 6 Drawing Sheets

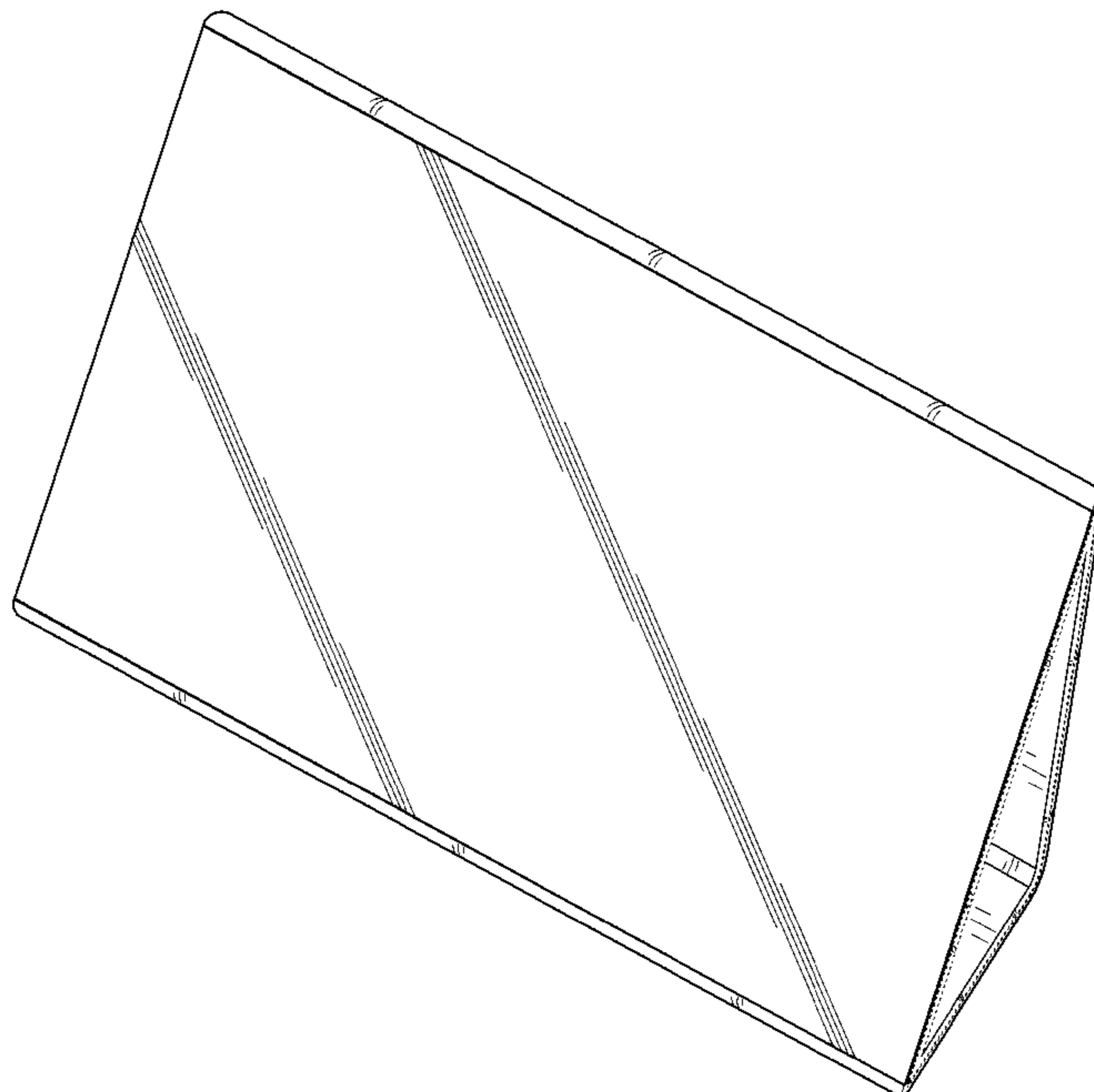


FIG. 1

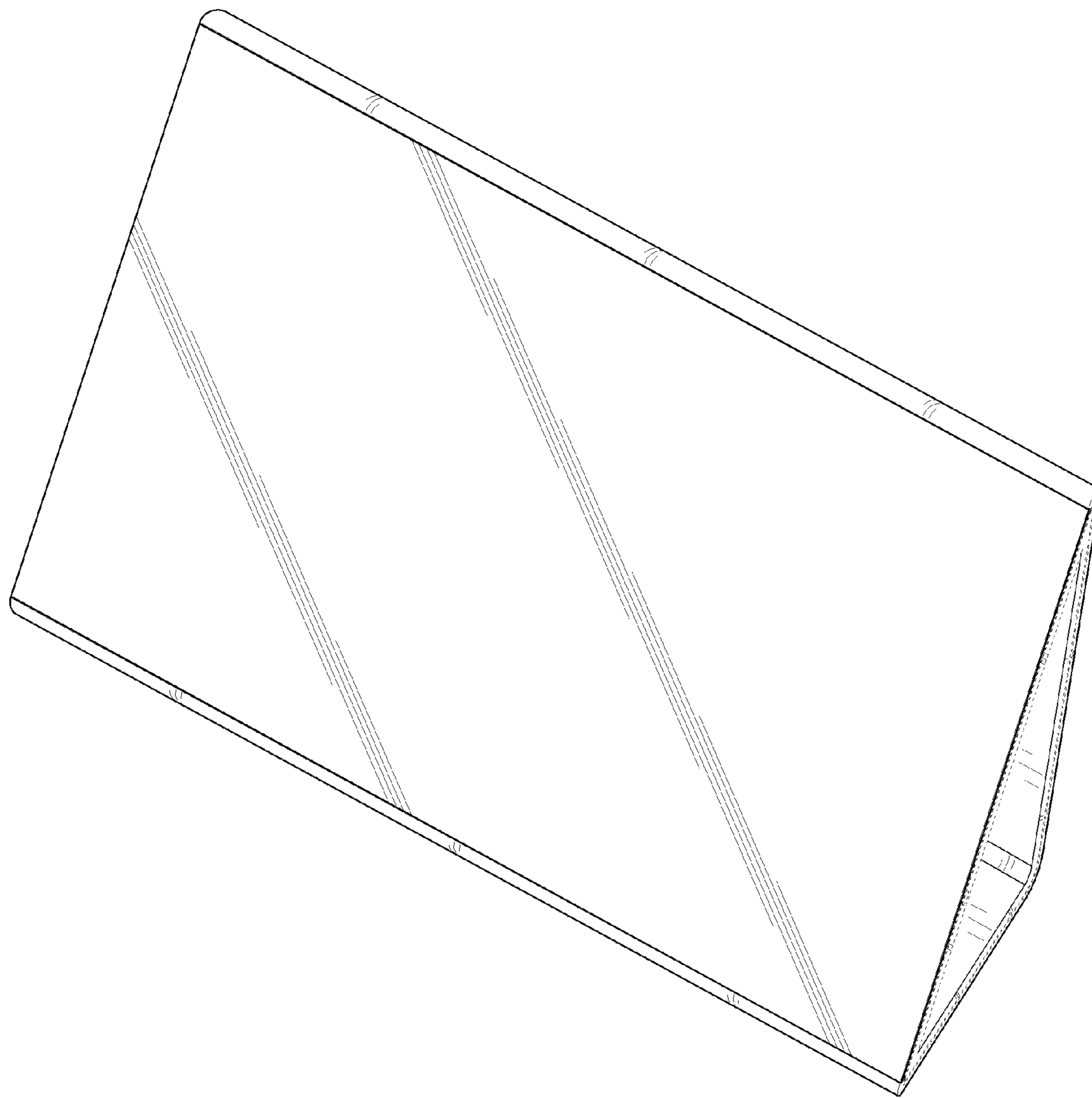


FIG. 2

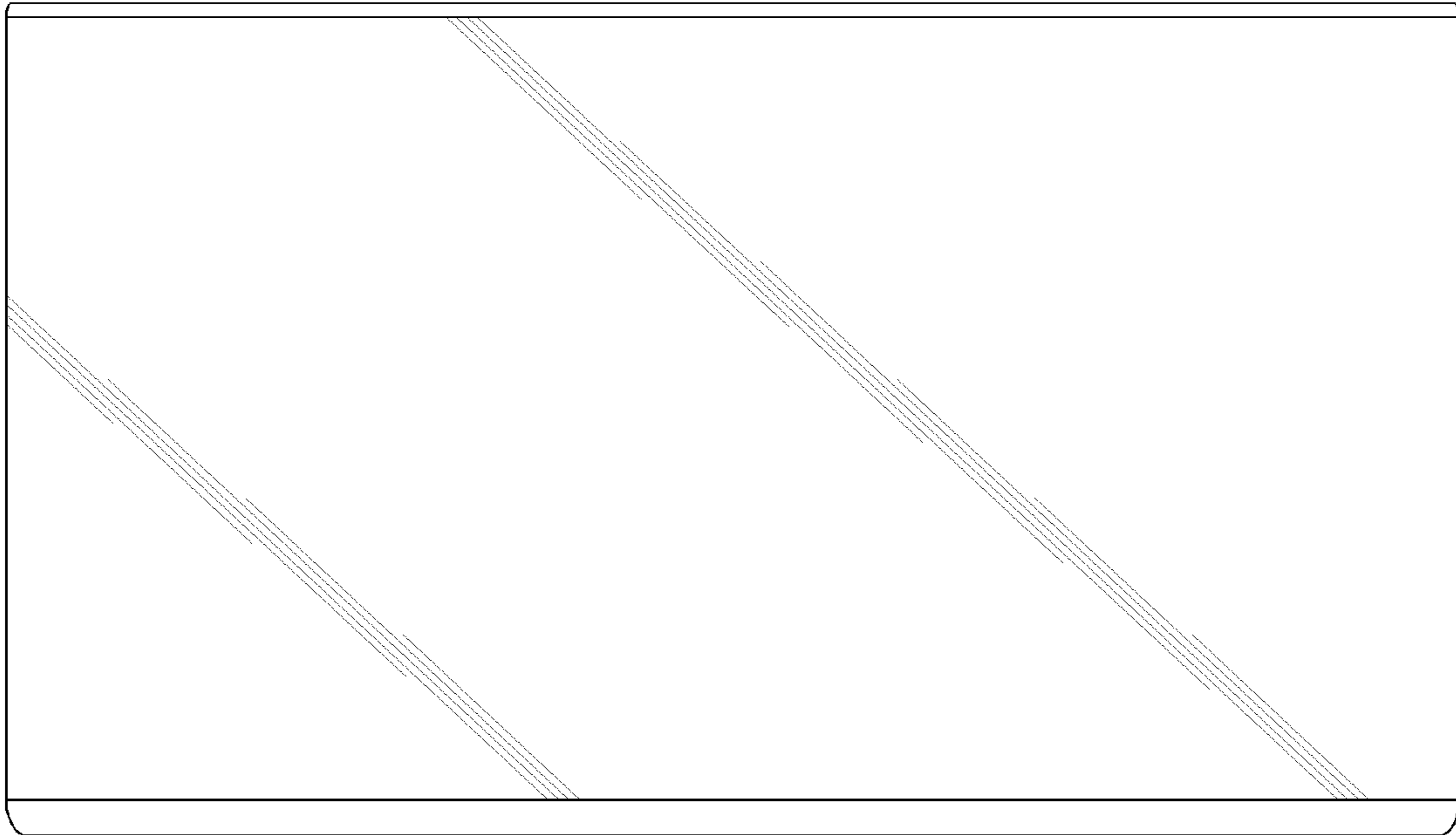


FIG. 3



FIG. 4

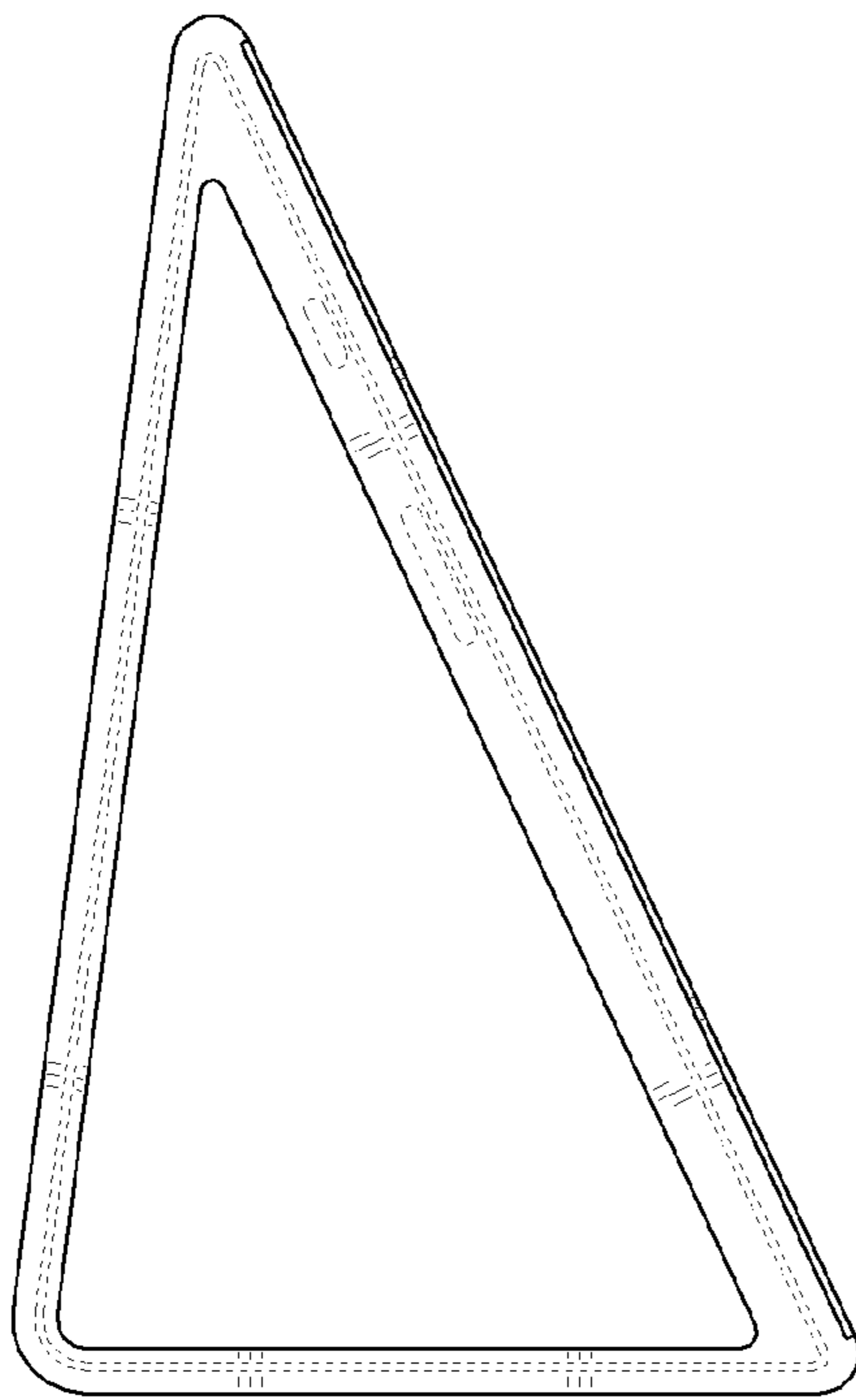


FIG. 5

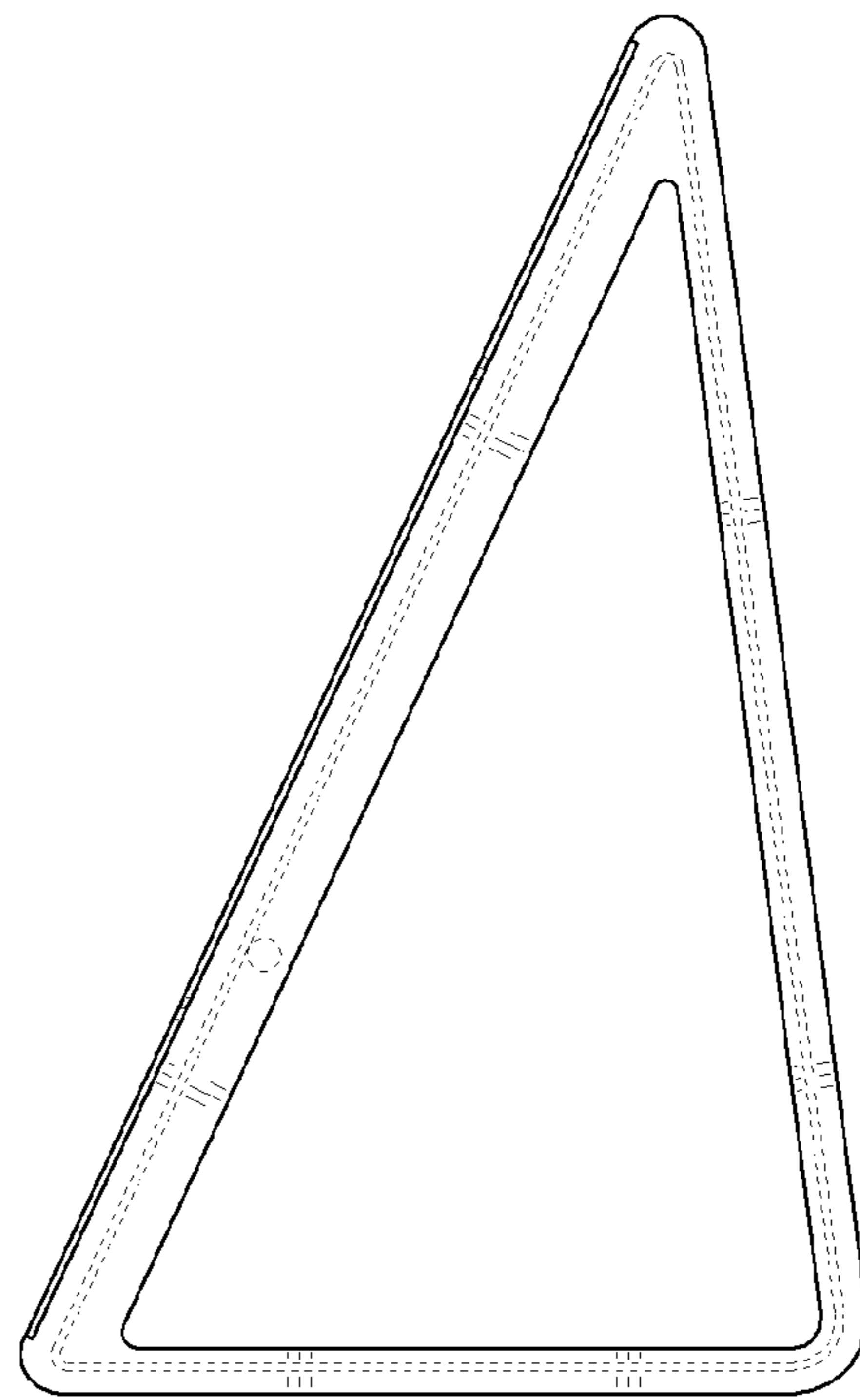


FIG. 6

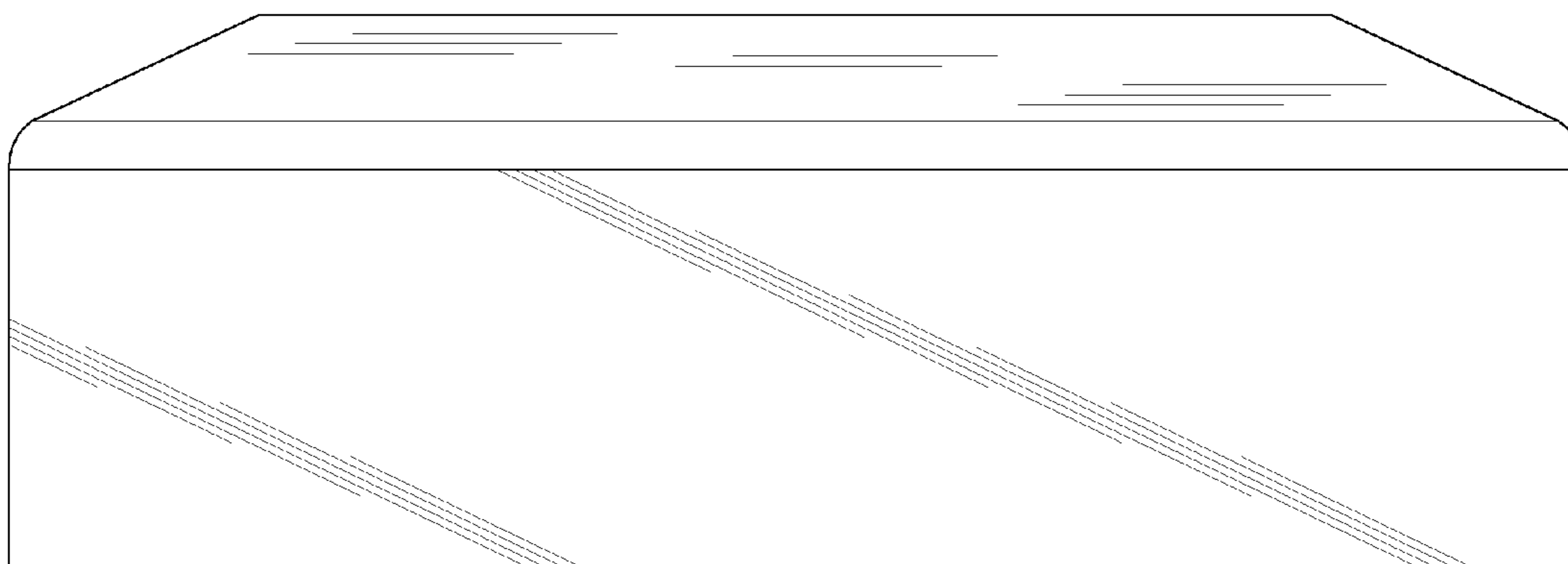


FIG. 7

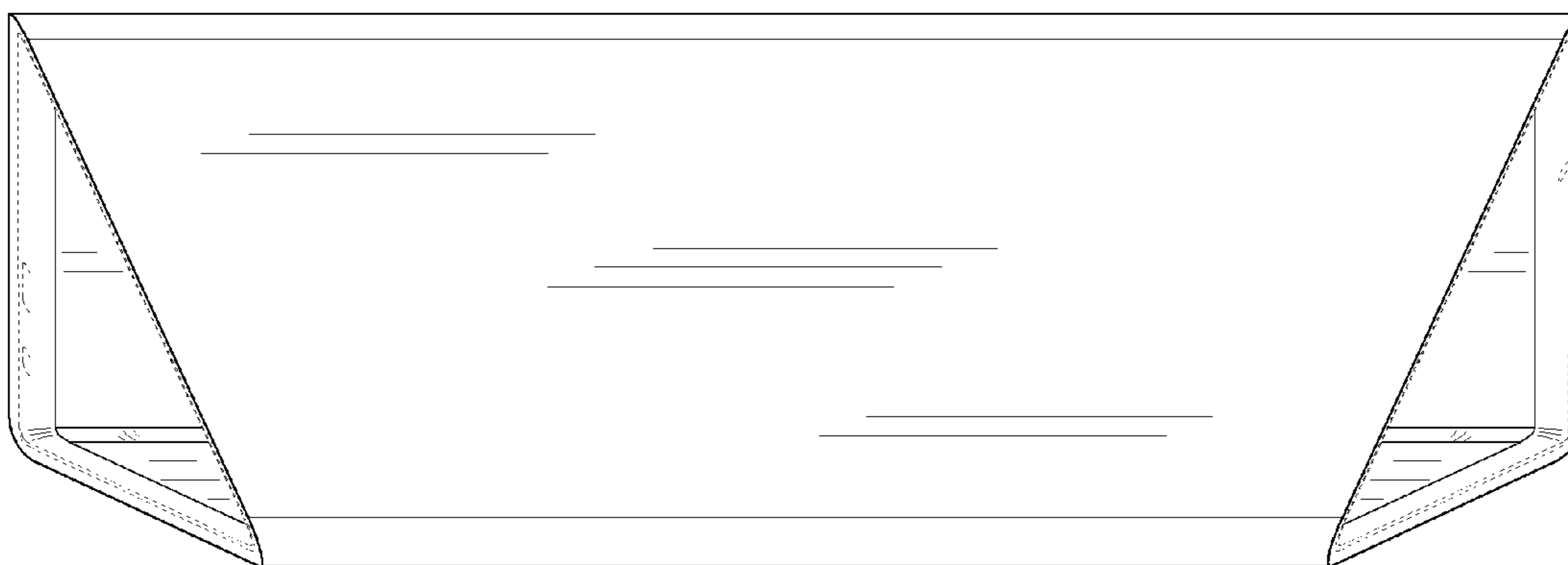


FIG. 8

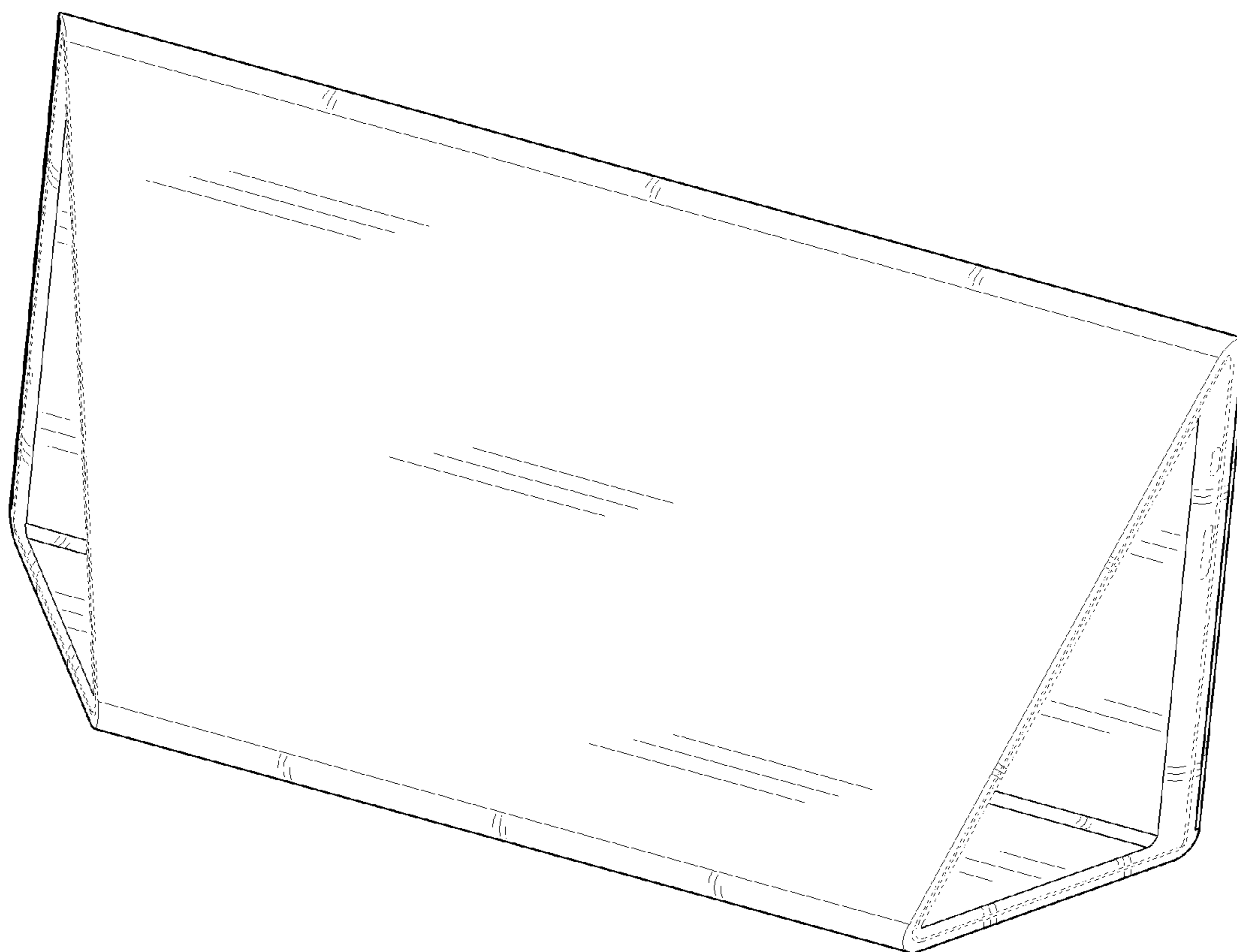


FIG. 9

