



US00D730852S

(12) **United States Design Patent**  
**Park et al.**

(10) **Patent No.:** **US D730,852 S**  
(45) **Date of Patent:** **\*\* Jun. 2, 2015**

(54) **DISPLAY PANEL**

(71) Applicant: **Samsung Electronics Co., Ltd.**,  
Suwon-Si, Gyeonggi-Do (KR)  
(72) Inventors: **Jungmi Park**, Seoul (KR); **Soon Danielle Yang**, Seoul (KR); **Kyung Ah Cho**, Seoul (KR); **Suyeon Son**, Seoul (KR)

(73) Assignee: **Samsung Electronics Co., Ltd.**,  
Gyeonggi-do (KR)

(\*\*) Term: **14 Years**

(21) Appl. No.: **29/455,171**

(22) Filed: **May 17, 2013**

(30) **Foreign Application Priority Data**

Dec. 13, 2012 (KR) ..... 30-2012-0060266

(51) **LOC (10) Cl.** ..... **14-03**

(52) **U.S. Cl.**  
USPC ..... **D14/126; D14/127**

(58) **Field of Classification Search**  
USPC ..... D14/125-134, 239, 371, 136, 374-377,  
D14/440, 450, 448, 336, 342, 159; 312/7.2;  
348/836, 838, 180, 184, 325, 739;  
248/917-924, 465; 345/104, 133, 156,  
345/168, 87, 173; D21/329, 515, 577, 622,  
D21/333, 433, 448, 452, 450, 331, 505;  
D10/15, 26; 446/484, 175, 356;  
D6/477, 479, 300; D24/185; D34/14  
CPC ... G06F 1/1601; G06F 1/1643; H05K 5/0004;  
H05K 5/0017; H05K 5/02; H05K 5/0217  
See application file for complete search history.

(56) **References Cited**

U.S. PATENT DOCUMENTS

D611,032	S	*	3/2010	Kim	.....	D14/188
D623,616	S	*	9/2010	Cho et al.	.....	D14/126
D627,749	S	*	11/2010	Mitsubishi	.....	D14/126
D640,215	S	*	6/2011	Hanson-Abbott	.....	D14/126
D656,473	S	*	3/2012	Laube et al.	.....	D14/126
D661,671	S	*	6/2012	Laube et al.	.....	D14/126
D680,088	S	*	4/2013	Park et al.	.....	D14/126

\* cited by examiner

*Primary Examiner* — Raphael Barkai

(74) *Attorney, Agent, or Firm* — Harness, Dickey & Pierce, P.L.C.

(57) **CLAIM**

The ornamental design for a display panel, as shown and described.

**DESCRIPTION**

FIG. 1 is the front/left-side/top perspective view of a display panel showing our new design;  
FIG. 2 is the front elevational view thereof;  
FIG. 3 is the rear elevational view thereof;  
FIG. 4 is the left-side elevational view thereof;  
FIG. 5 is the right-side elevational view thereof;  
FIG. 6 is the top-side plan view thereof;  
FIG. 7 is the bottom-side plan view thereof; and,  
FIG. 8 is the front/left-side/top perspective view of the display panel in use.

The surface treatment of the display panel shown in the figures forms no part of the claimed design, a display panel according to the claimed design may have any surface treatment.

The broken lines shown in the drawings represent unclaimed portions.

**1 Claim, 7 Drawing Sheets**

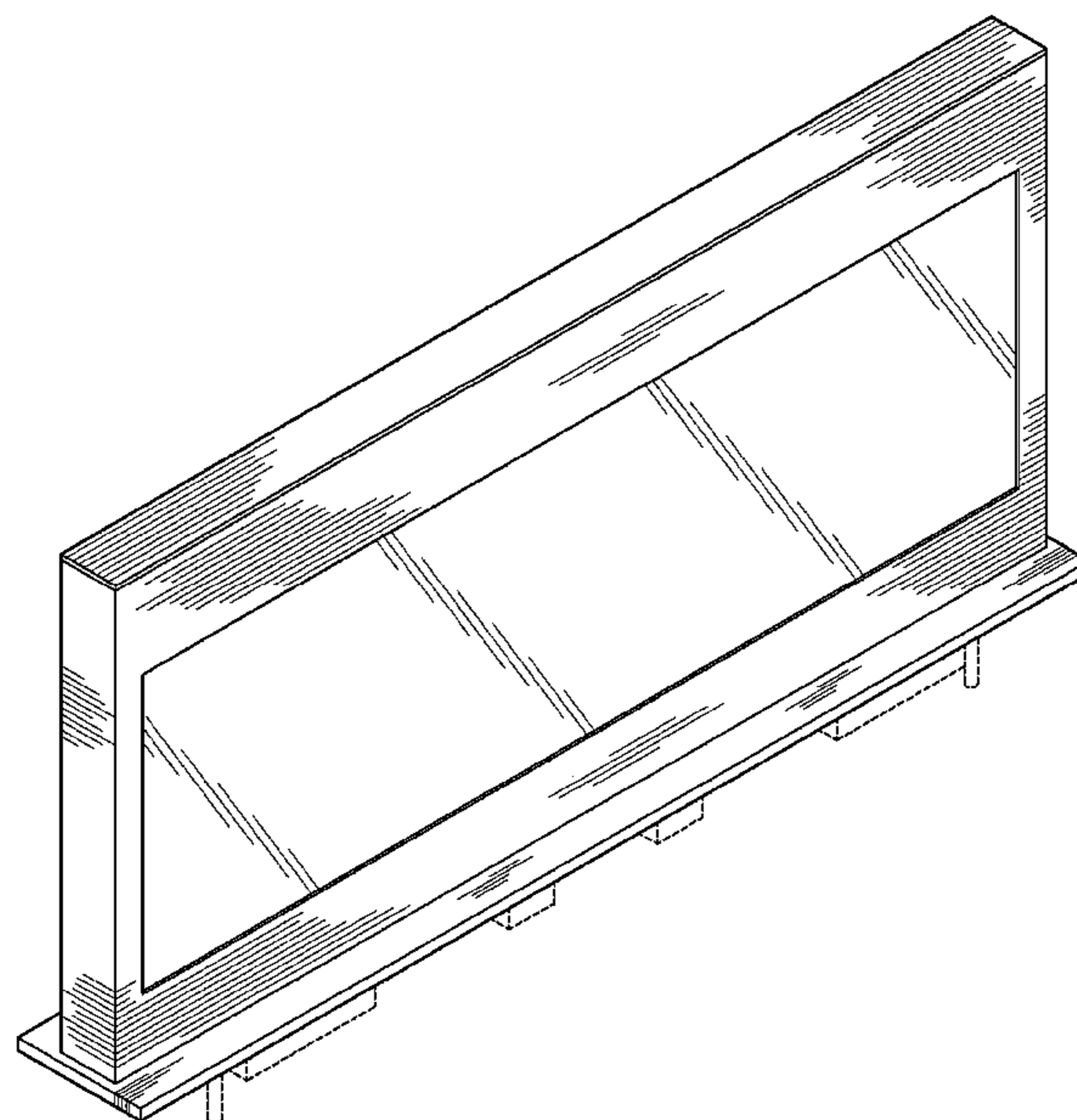


FIG. 1

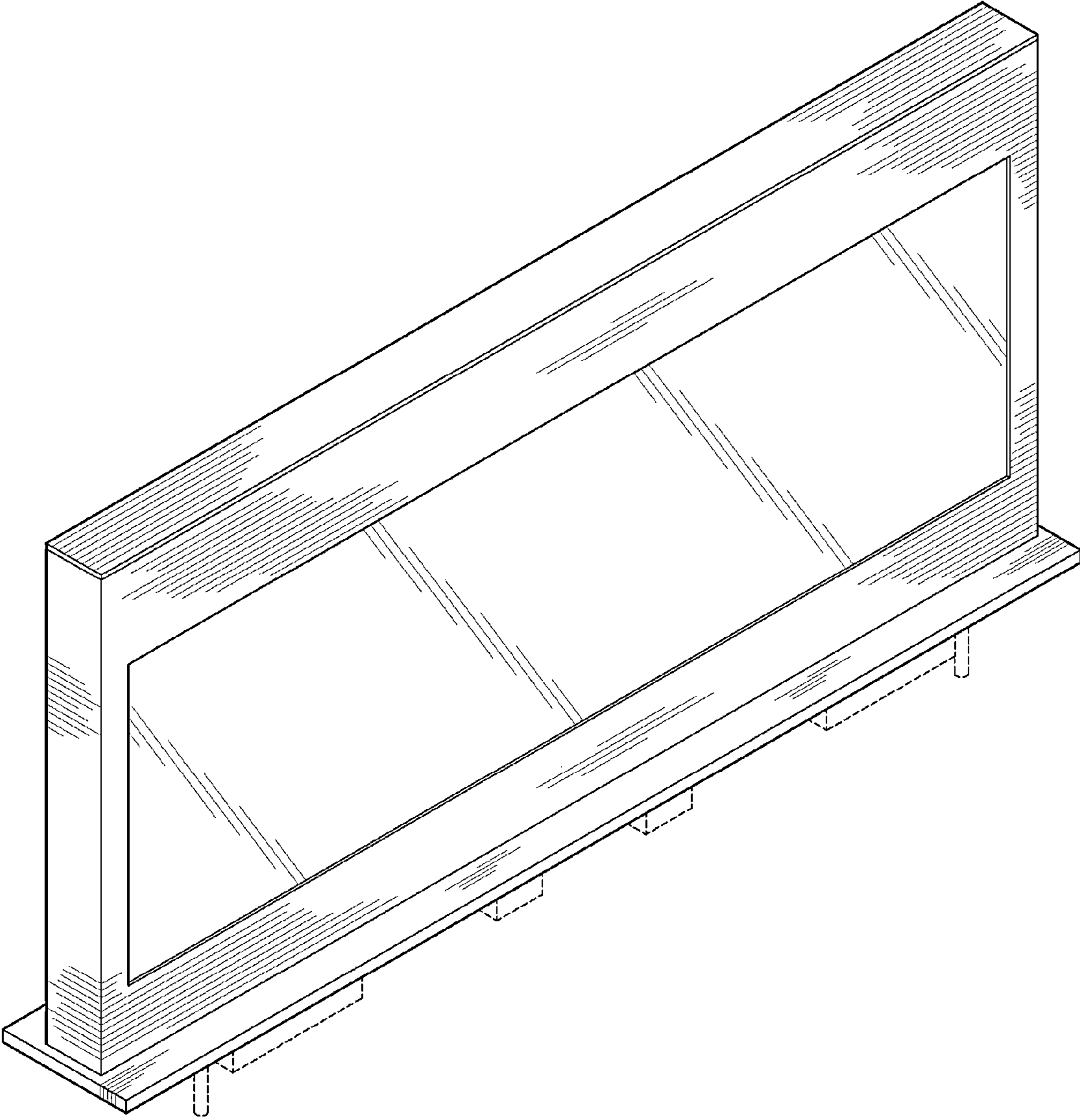


FIG. 2

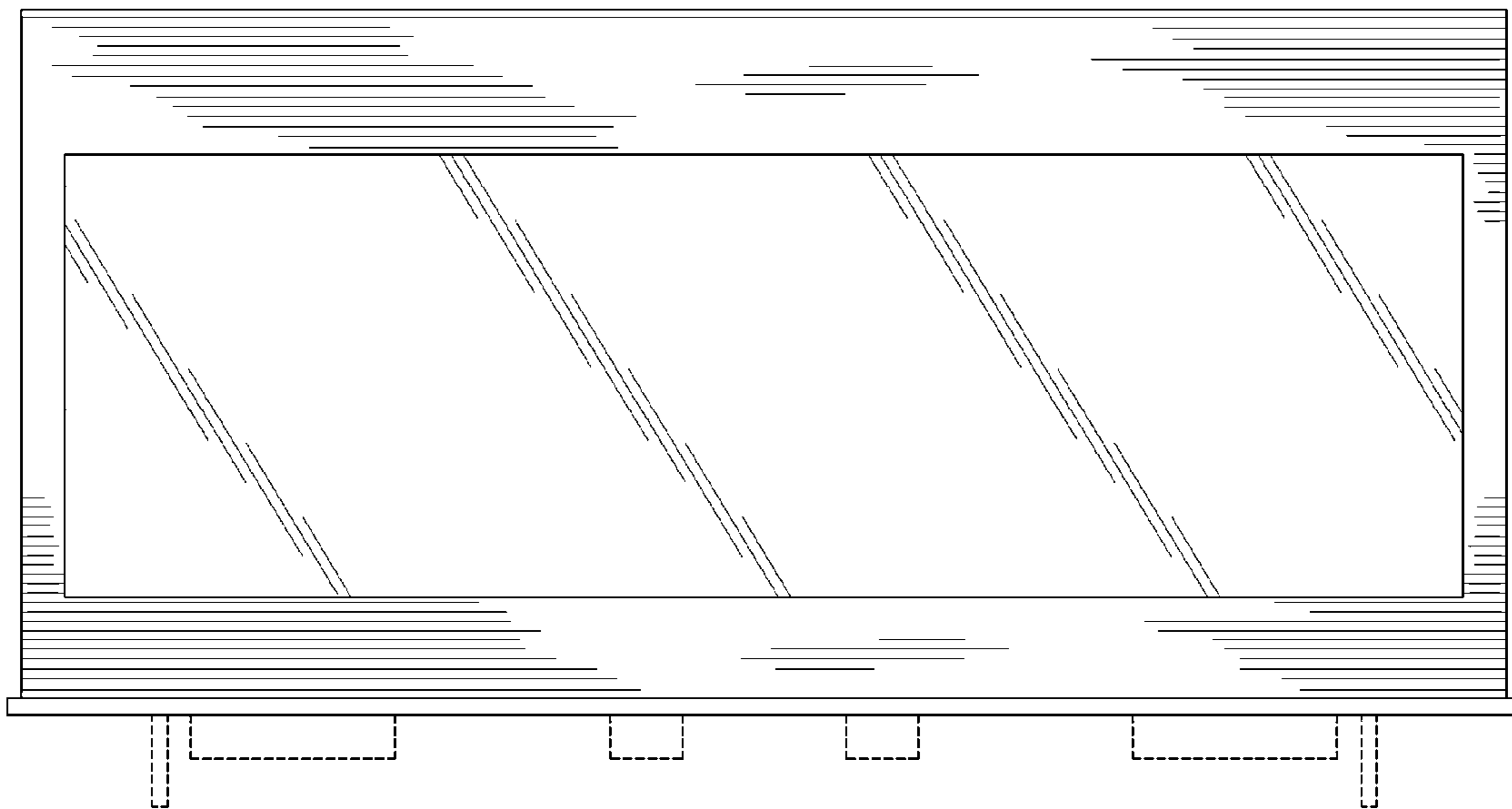


FIG. 3

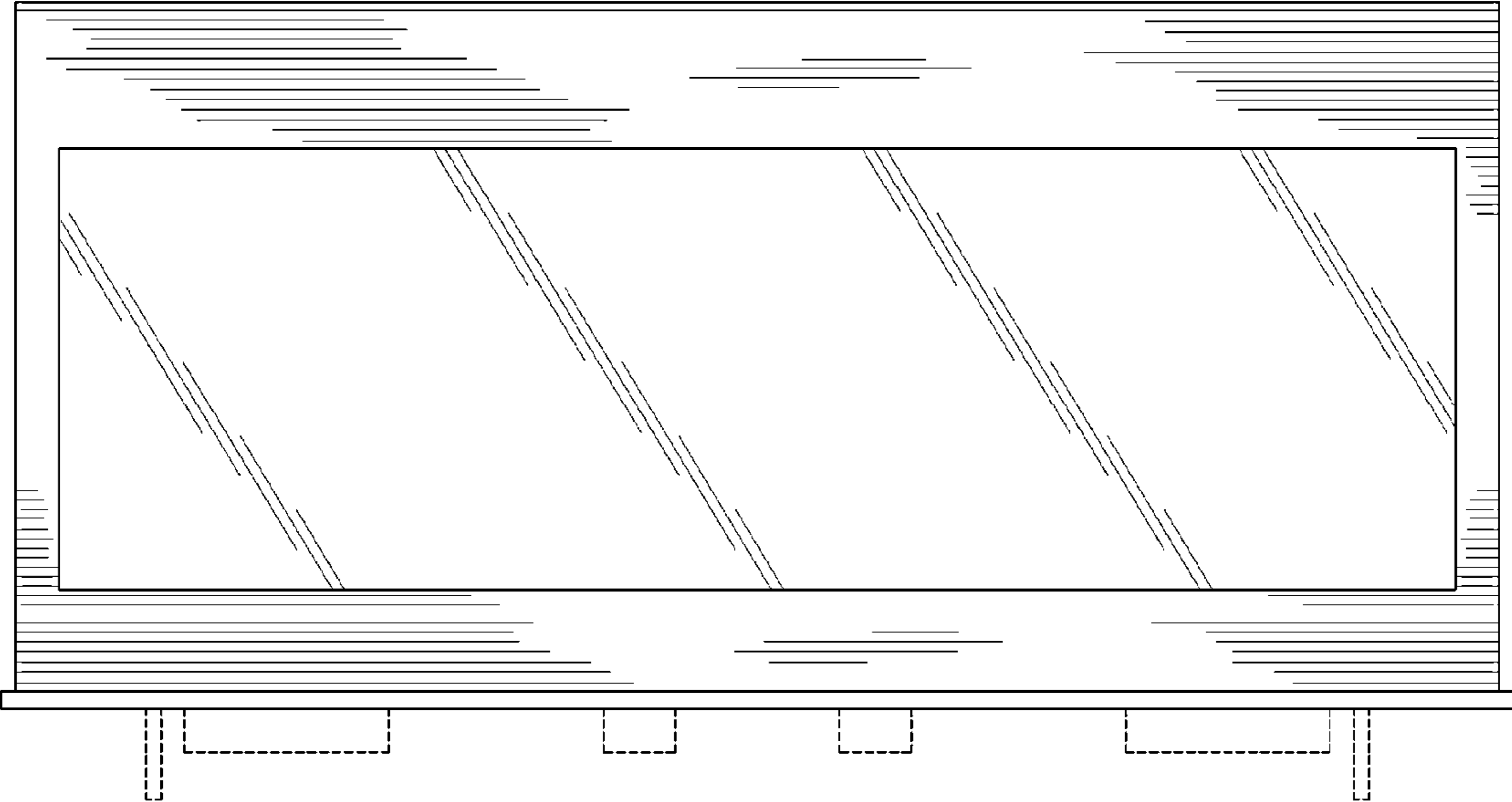


FIG. 4

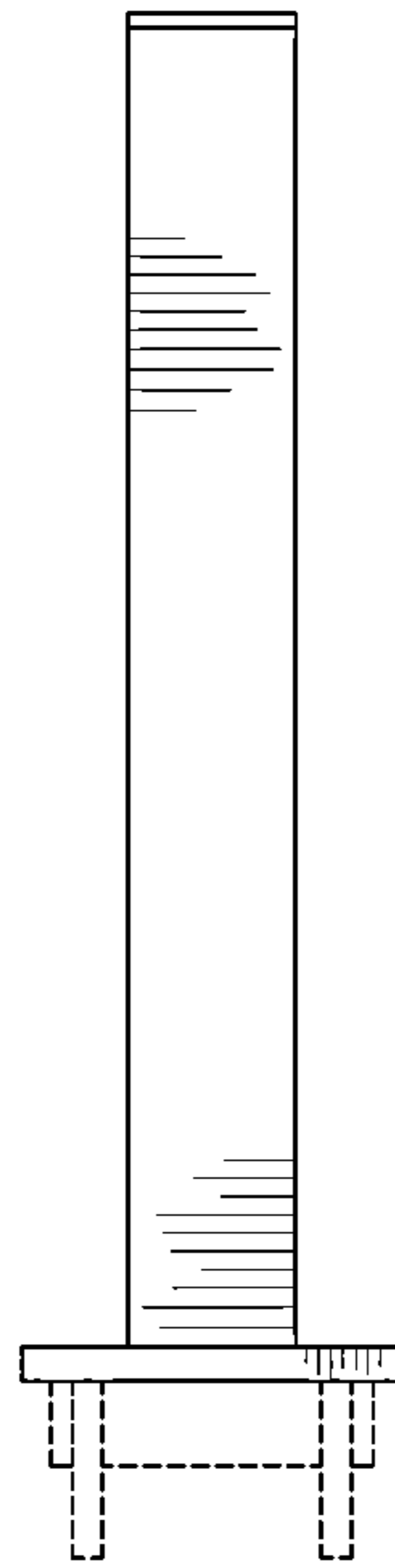


FIG. 5

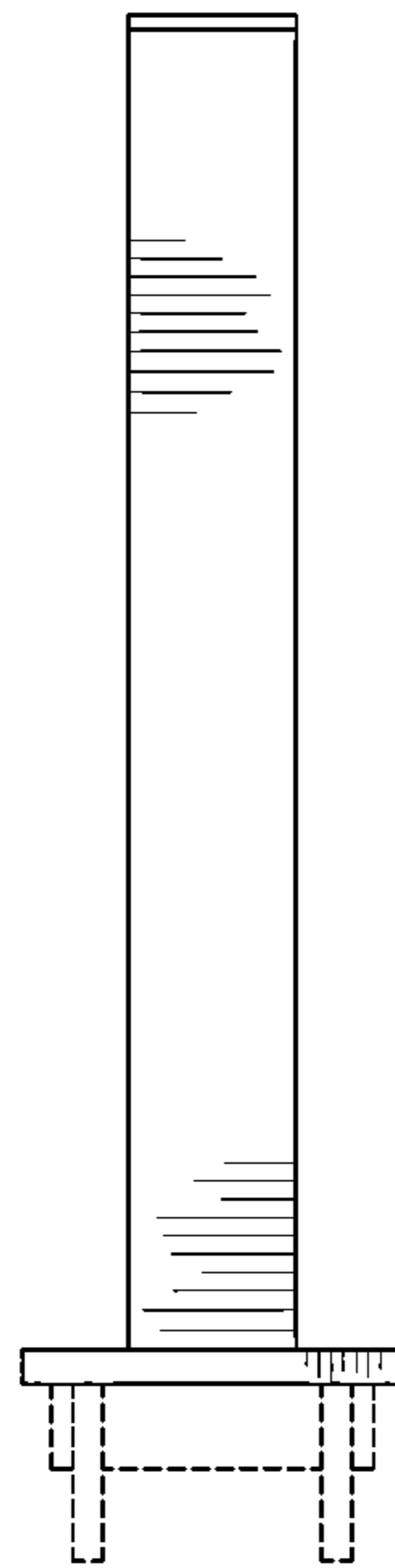


FIG. 6

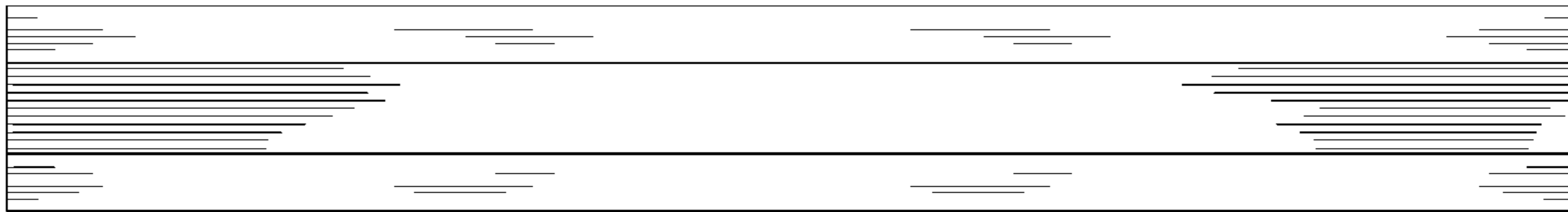


FIG. 7

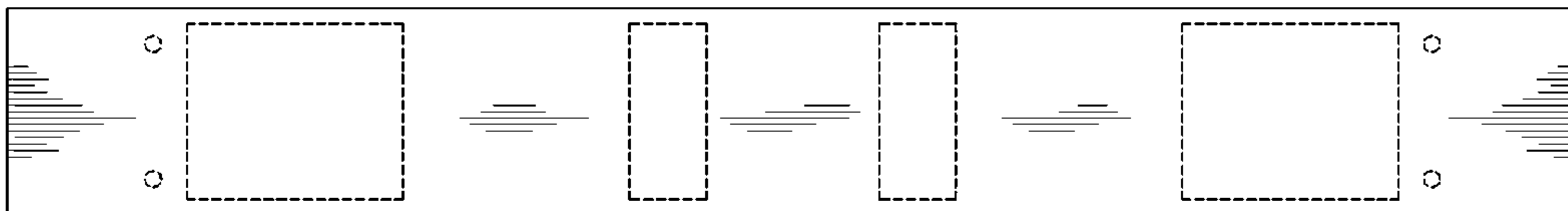


FIG. 8

