



US00D730846S

(12) **United States Design Patent**
Bjortuft et al.

(10) **Patent No.:** **US D730,846 S**
(45) **Date of Patent:** **** Jun. 2, 2015**

(54) **HOUSING FOR ELECTRICAL BREAKER**

(56) **References Cited**

(71) Applicants: **Tom-Rune Bjortuft**, Porsgrunn (NO); **Stanley Lohne**, Porsgrunn (NO); **Paal Kristian Skryten**, Skien (NO); **Stale Talmo**, Skien (NO); **John-Anders Tveten**, Porsgrunn (NO); **Richard Lauritzen**, Skien (NO)

U.S. PATENT DOCUMENTS

D592,594	S	*	5/2009	Stiff et al.	D13/110
D609,593	S	*	2/2010	Schenck et al.	D10/106.8
D667,572	S	*	9/2012	Yang	D26/2
D690,263	S	*	9/2013	Lohne et al.	D13/110
D690,264	S	*	9/2013	Lohne et al.	D13/110

(72) Inventors: **Tom-Rune Bjortuft**, Porsgrunn (NO); **Stanley Lohne**, Porsgrunn (NO); **Paal Kristian Skryten**, Skien (NO); **Stale Talmo**, Skien (NO); **John-Anders Tveten**, Porsgrunn (NO); **Richard Lauritzen**, Skien (NO)

* cited by examiner

Primary Examiner — Thomas Johannes

Assistant Examiner — Shawn T Gingrich

(74) *Attorney, Agent, or Firm* — St. Onge Steward Johnston & Reens LLC

(73) Assignee: **ABB Technology Ltd.** (CH)

(57) **CLAIM**

(**) Term: **14 Years**

The ornamental design for a housing for electrical breaker, as shown and described.

(21) Appl. No.: **29/485,002**

DESCRIPTION

(22) Filed: **Mar. 14, 2014**

(30) **Foreign Application Priority Data**

Sep. 16, 2013 (EM) 002309815-0001
Sep. 16, 2013 (EM) 002309815-0002

(51) **LOC (10) Cl.** **13-03**

(52) **U.S. Cl.**
USPC **D13/160**

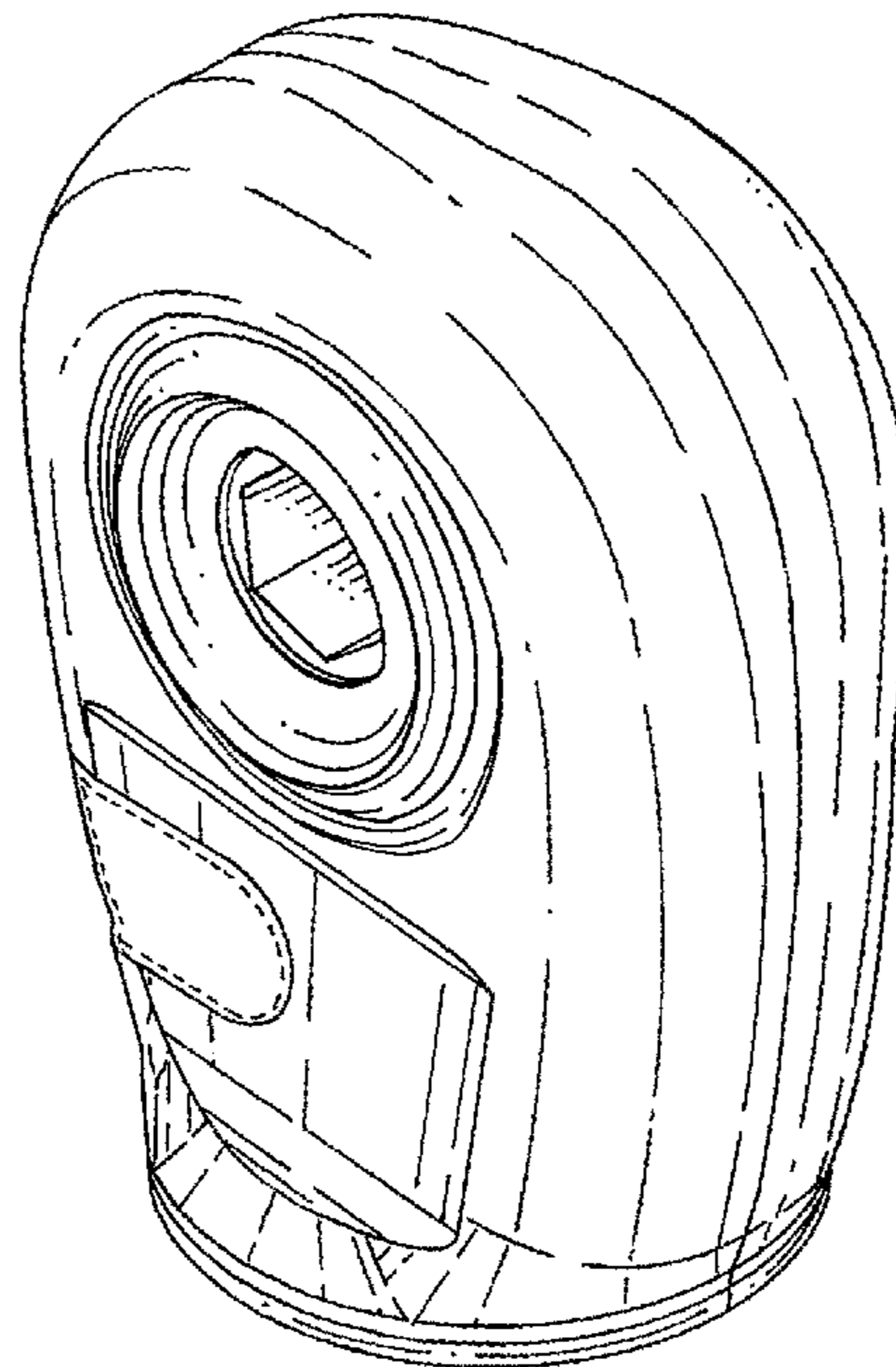
(58) **Field of Classification Search**
USPC D13/110, 113, 158-161, 182, 184, 199;
D15/145, 199; 307/112, 139, 150;
D26/2; D10/106.8; 310/10

FIG. 1 is a front right side isometric view of a housing for electrical breaker in accordance with the new design;
FIG. 2 is a right side elevation view thereof;
FIG. 3 is a left side elevation view thereof;
FIG. 4 is a front elevation view thereof;
FIG. 5 is a rear elevation view thereof;
FIG. 6 is a top plan view thereof; and,
FIG. 7 is a bottom plan view thereof.

The broken line portion of the figure drawings is included to show unclaimed subject matter only and forms no part of the claimed design.

See application file for complete search history.

1 Claim, 6 Drawing Sheets



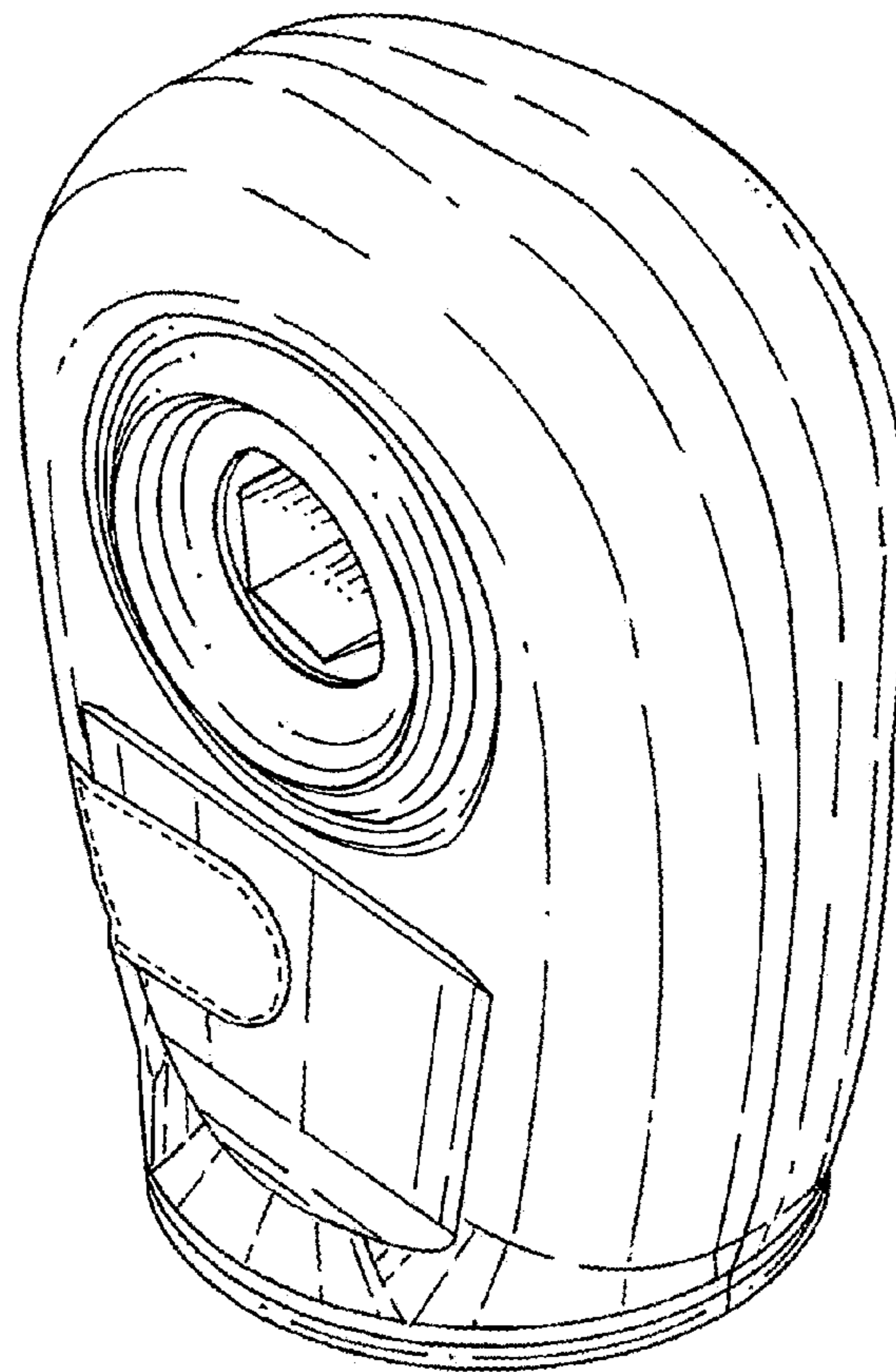


FIG. 1

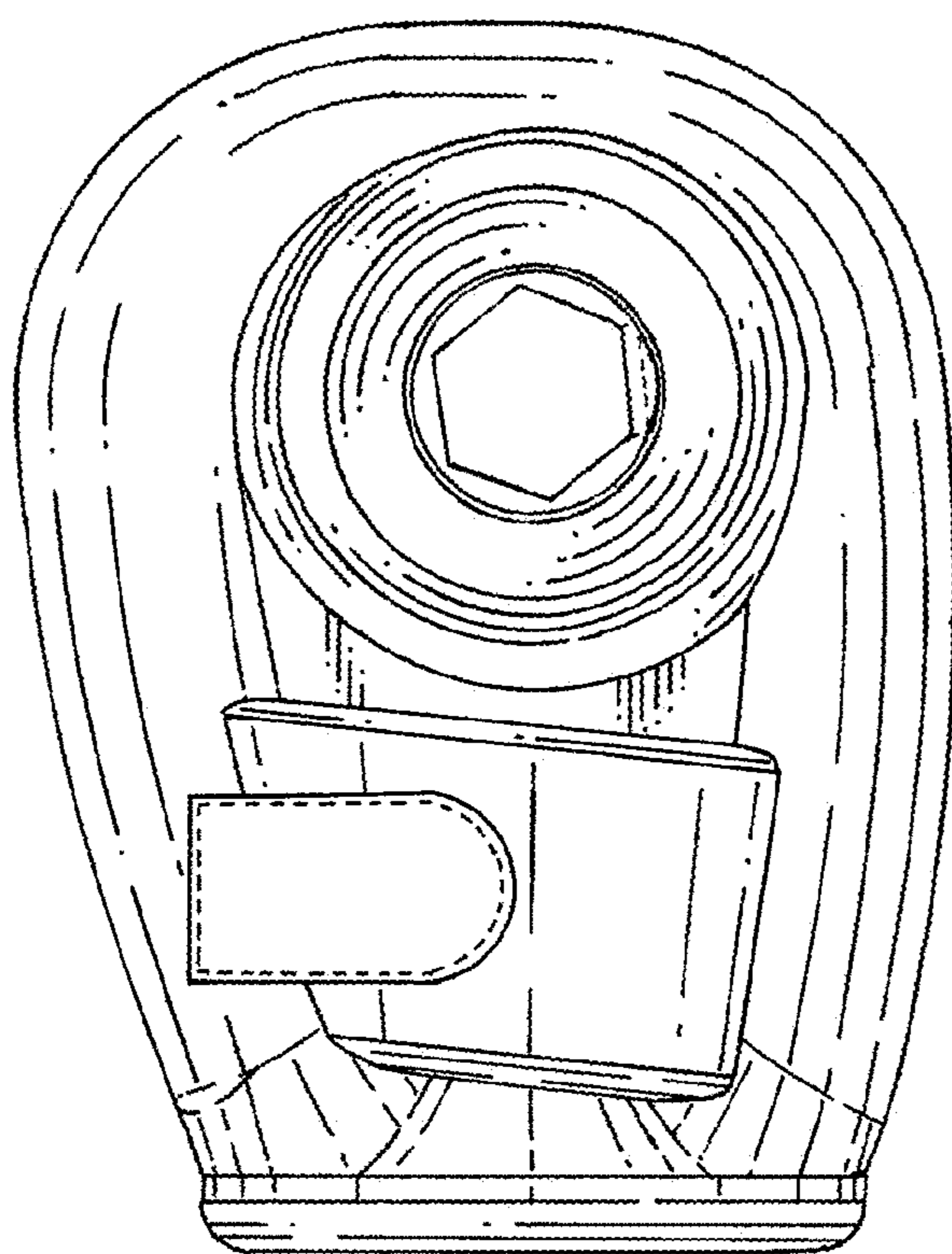


FIG. 2

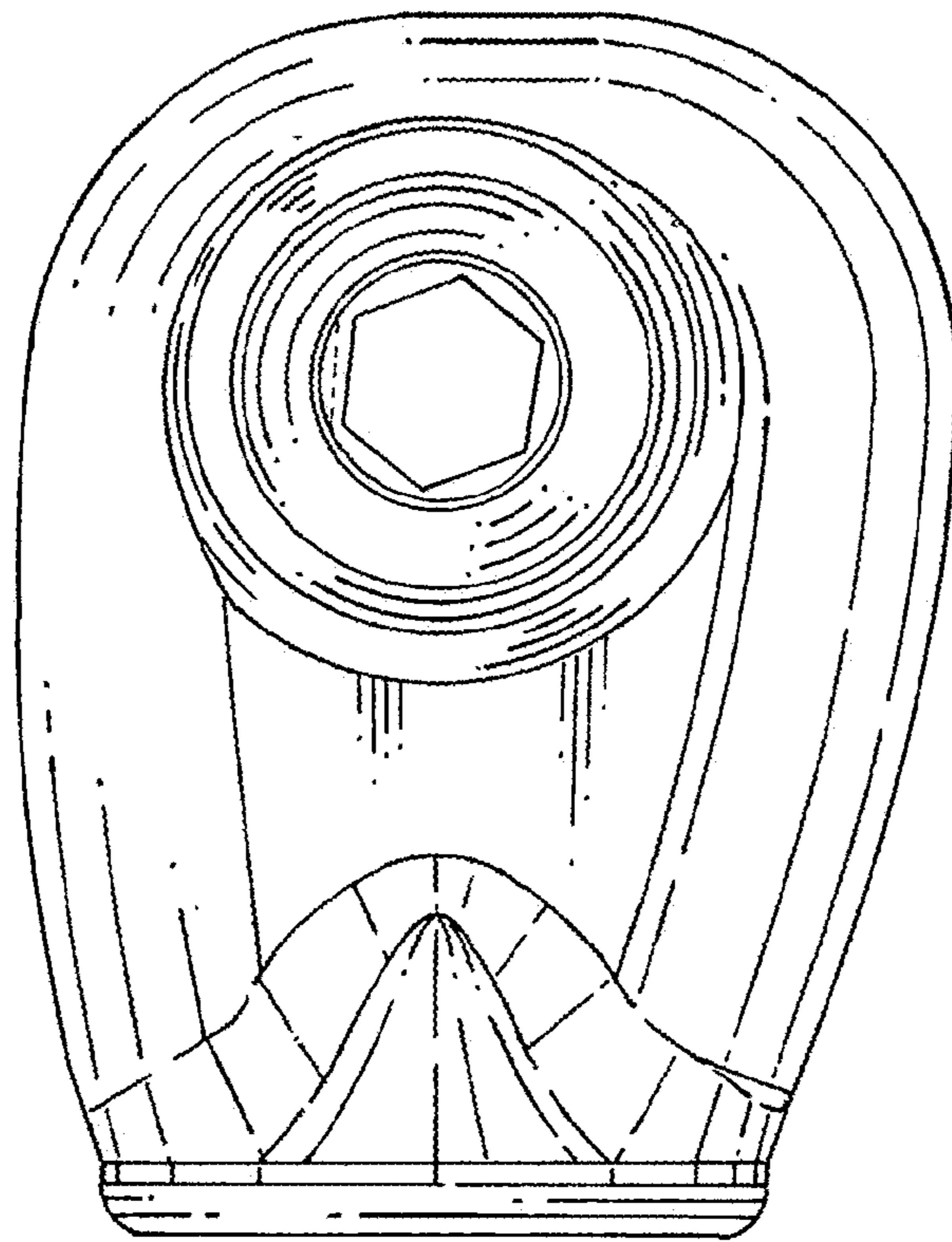


FIG. 3

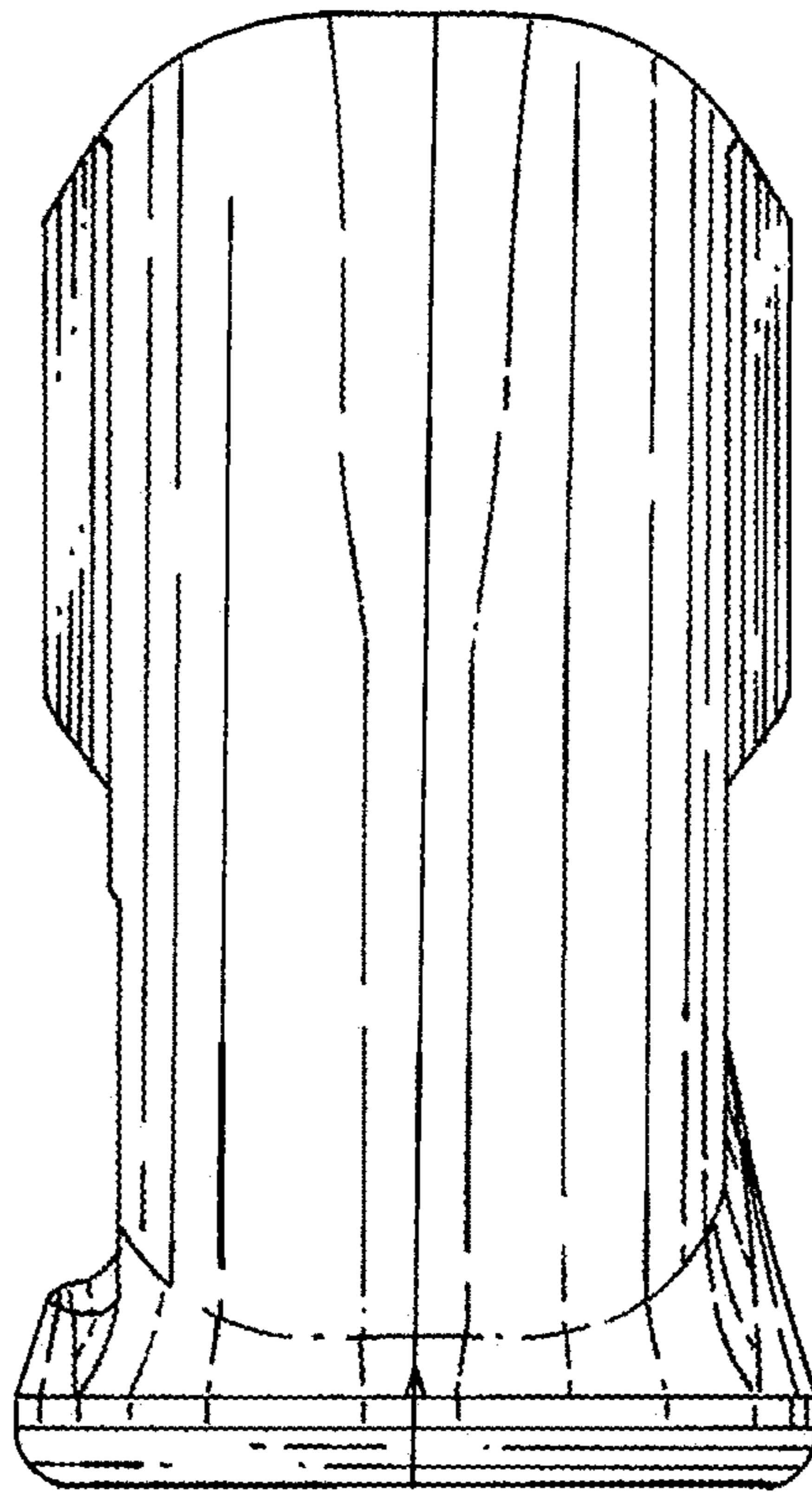


FIG. 4

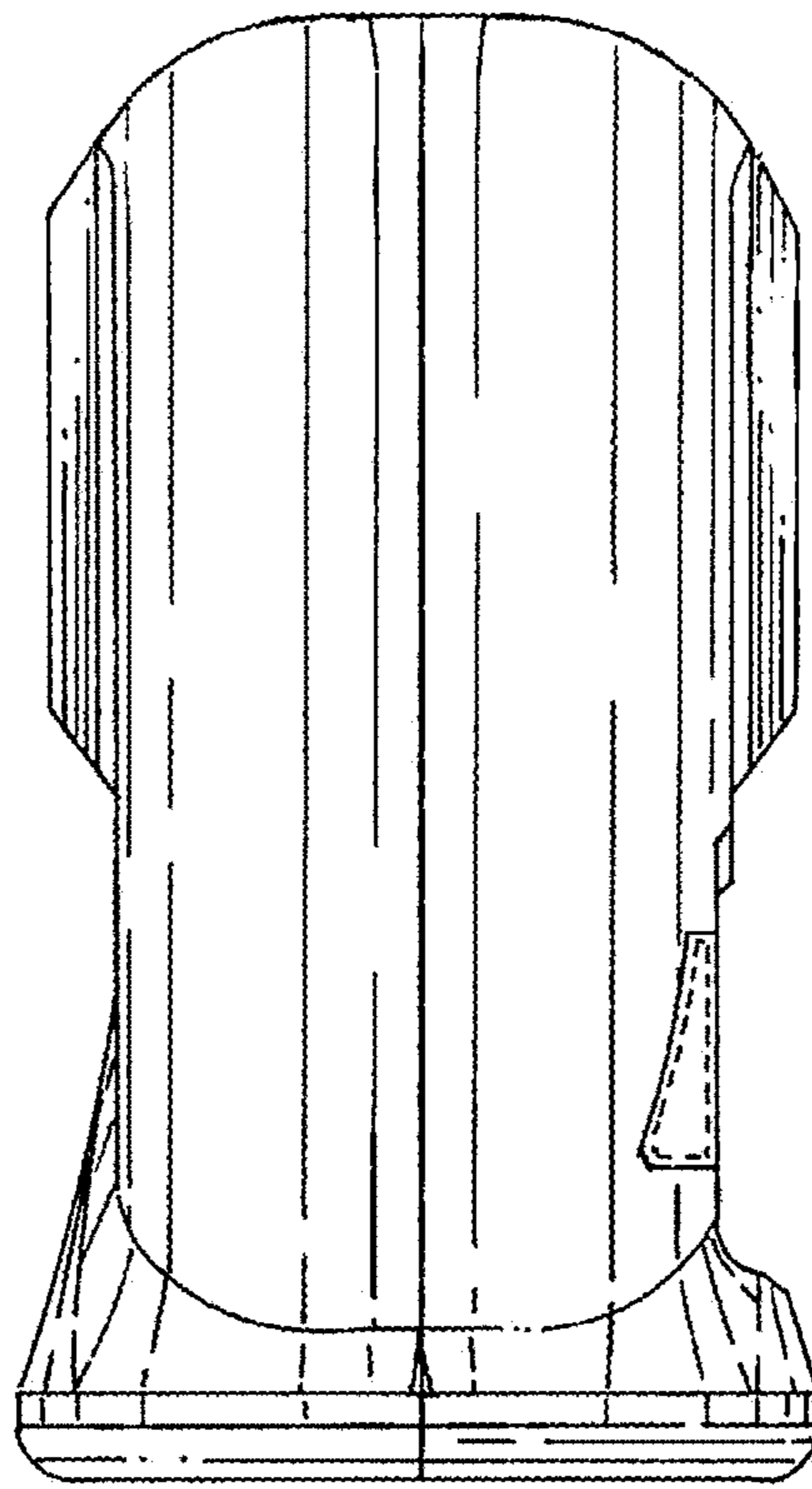


FIG. 5

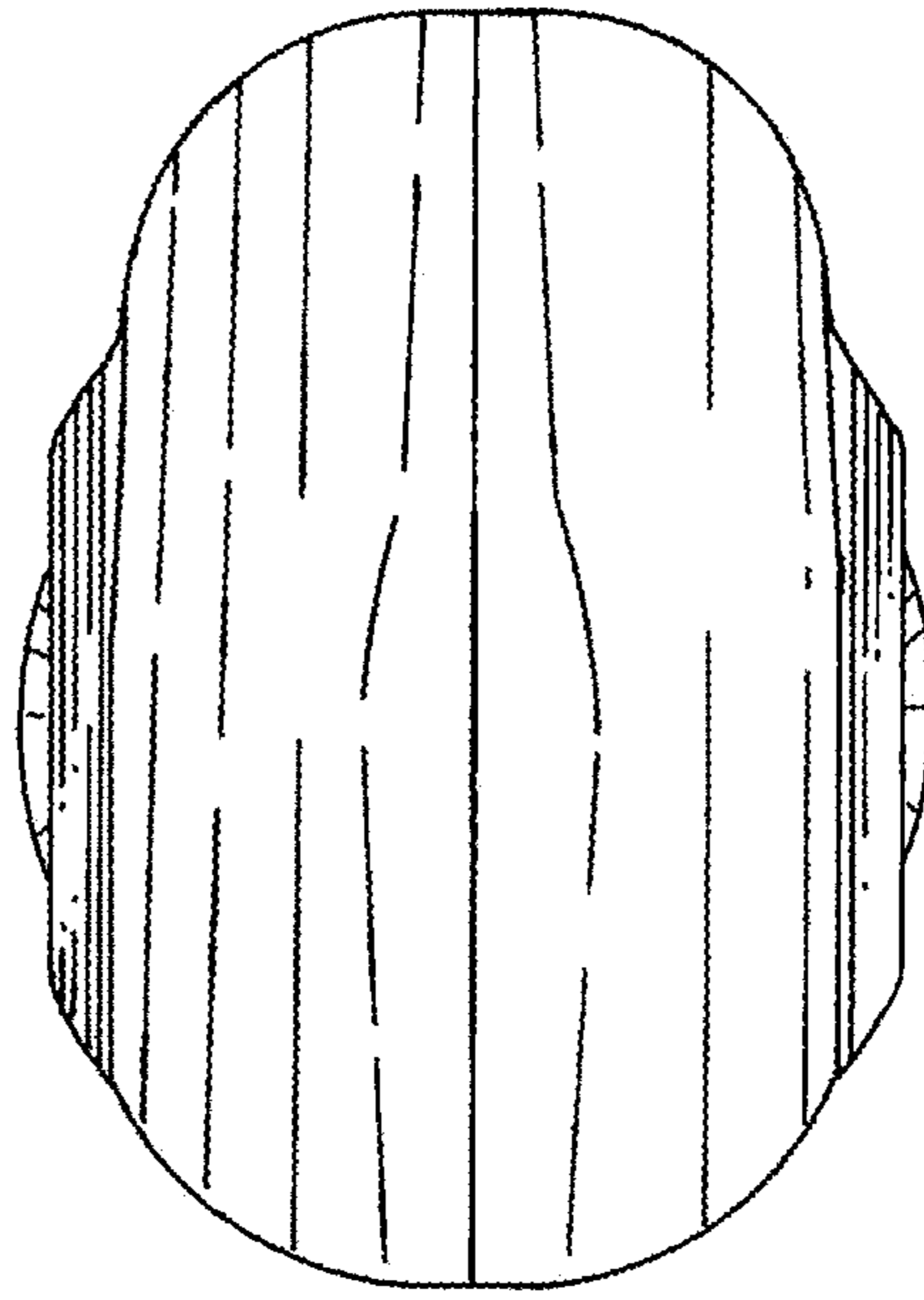


FIG. 6

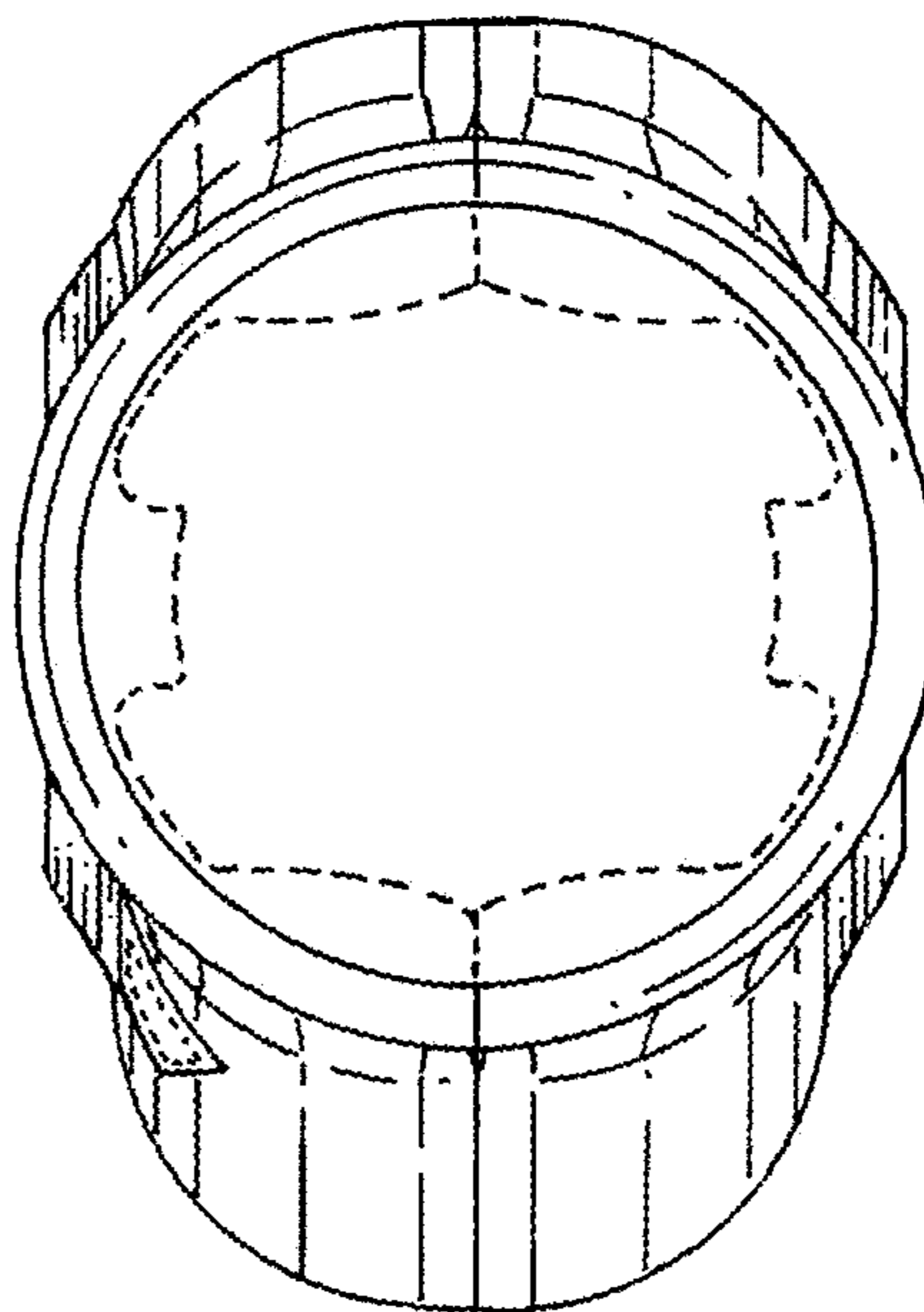


FIG. 7