



US00D730844S

(12) **United States Design Patent**
McClung et al.

(10) **Patent No.:** **US D730,844 S**

(45) **Date of Patent:** **** Jun. 2, 2015**

(54) **ACTUATOR FOR PL CIRCUIT BREAKER**

(71) Applicant: **MarTek Limited**, Charleston, WV (US)

(72) Inventors: **Charles M. McClung**, Elkview, WV (US); **Russell R. Safreed, III**, St. Albans, WV (US)

(73) Assignee: **MARTEK LIMITED**, Charleston, WV (US)

(**) Term: **14 Years**

(21) Appl. No.: **29/466,335**

(22) Filed: **Sep. 6, 2013**

(51) **LOC (10) Cl.** **13-03**

(52) **U.S. Cl.**
USPC **D13/158; D13/178**

(58) **Field of Classification Search**
USPC D13/158, 160, 162, 174, 178;
200/50.24, 330, 331, 329, 332.1; 335/6
See application file for complete search history.

(56) **References Cited**

U.S. PATENT DOCUMENTS

3,893,050	A *	7/1975	Salvati et al.	335/1
3,983,460	A *	9/1976	Kuhn et al.	361/626
5,857,563	A *	1/1999	Helmer et al.	200/332.1
7,623,011	B2 *	11/2009	Rowe et al.	335/6
D678,216	S *	3/2013	Noisette et al.	D13/160
8,456,259	B2 *	6/2013	Safreed et al.	335/6

2009/0301851	A1 *	12/2009	Morris et al.	200/331
2012/0024677	A1 *	2/2012	Safreed et al.	200/50.24
2014/0209443	A1 *	7/2014	McClung et al.	200/331

* cited by examiner

Primary Examiner — Selina Sikder

(74) *Attorney, Agent, or Firm* — Thomas | Horstemeyer, LLP

(57) **CLAIM**

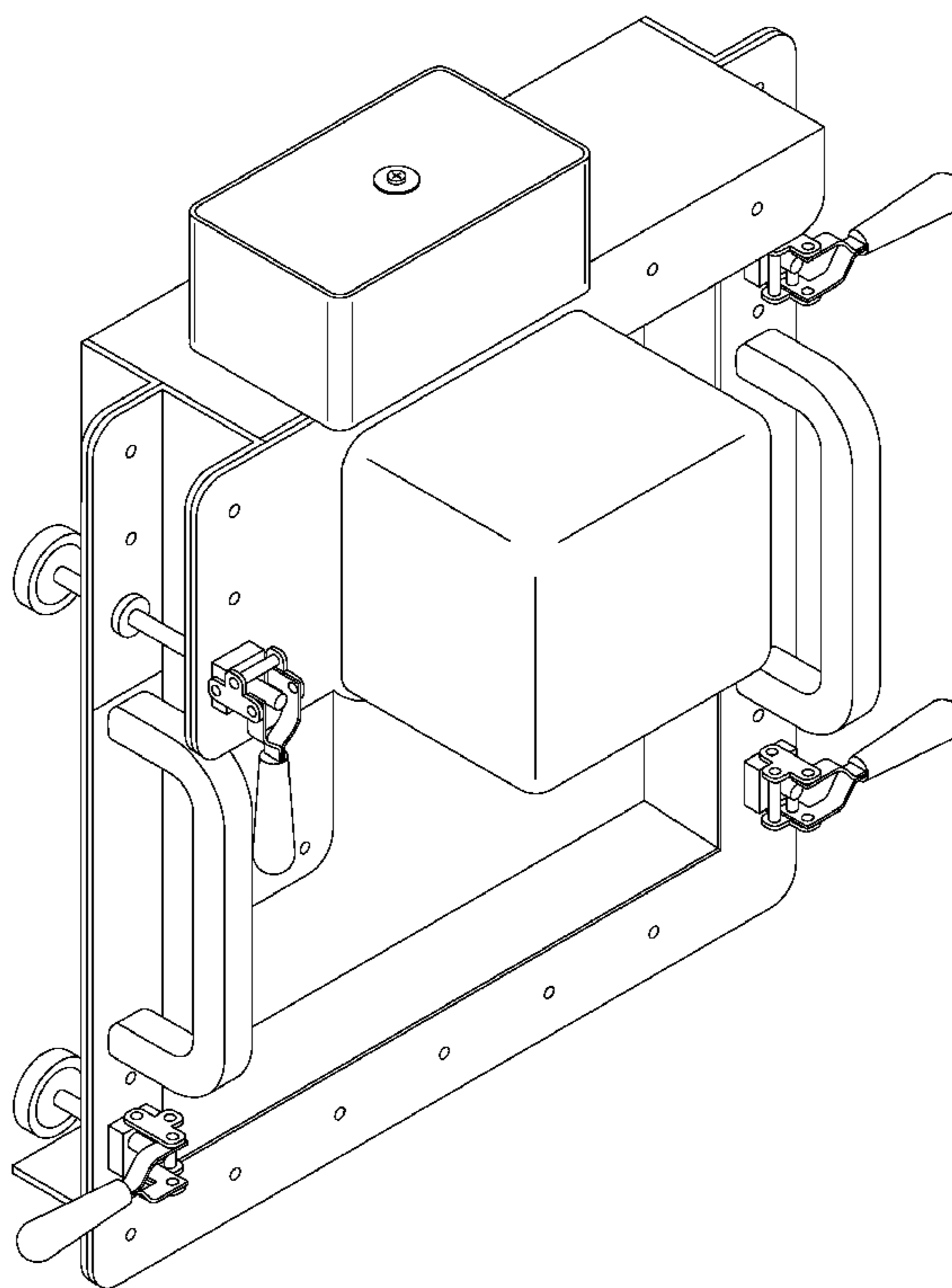
The ornamental design of an actuator for PL circuit breaker, as shown and described.

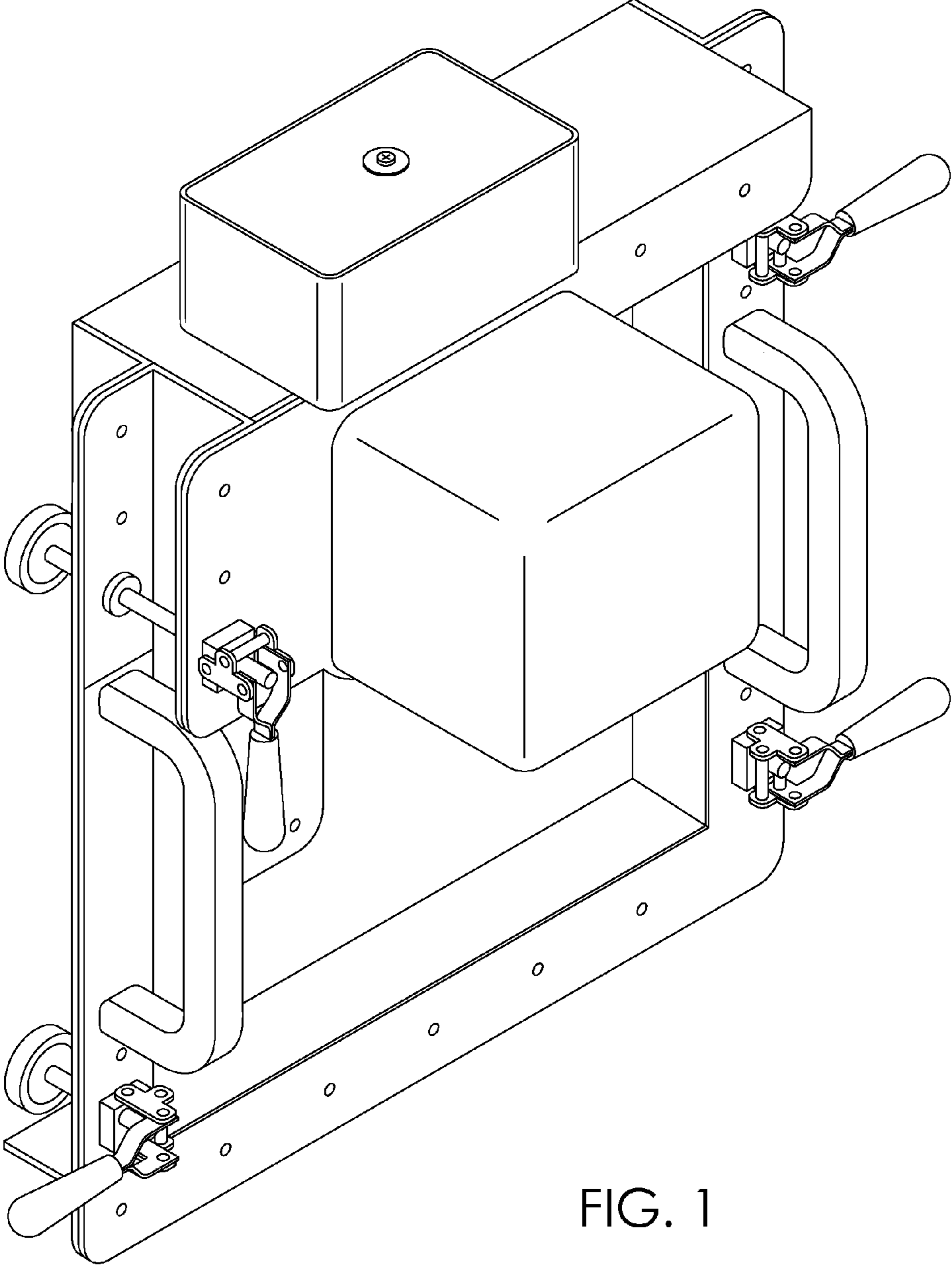
DESCRIPTION

FIG. 1 is a perspective view showing the front of our new actuator for PL circuit breaker;
FIG. 2 is a perspective view showing the back thereof;
FIG. 3 is a front view thereof;
FIG. 4 is a back view thereof;
FIG. 5 is a left side view thereof;
FIG. 6 is a right side view thereof;
FIG. 7 is a top view thereof;
FIG. 8 is the bottom view thereof; and,
FIG. 9 is a perspective placement view, showing placement of the actuator on a PL circuit breaker.

The broken lines shown FIGS. 4 and 9 views is for the purpose of illustrating environmental structure and forms no part of the claimed design.

1 Claim, 7 Drawing Sheets





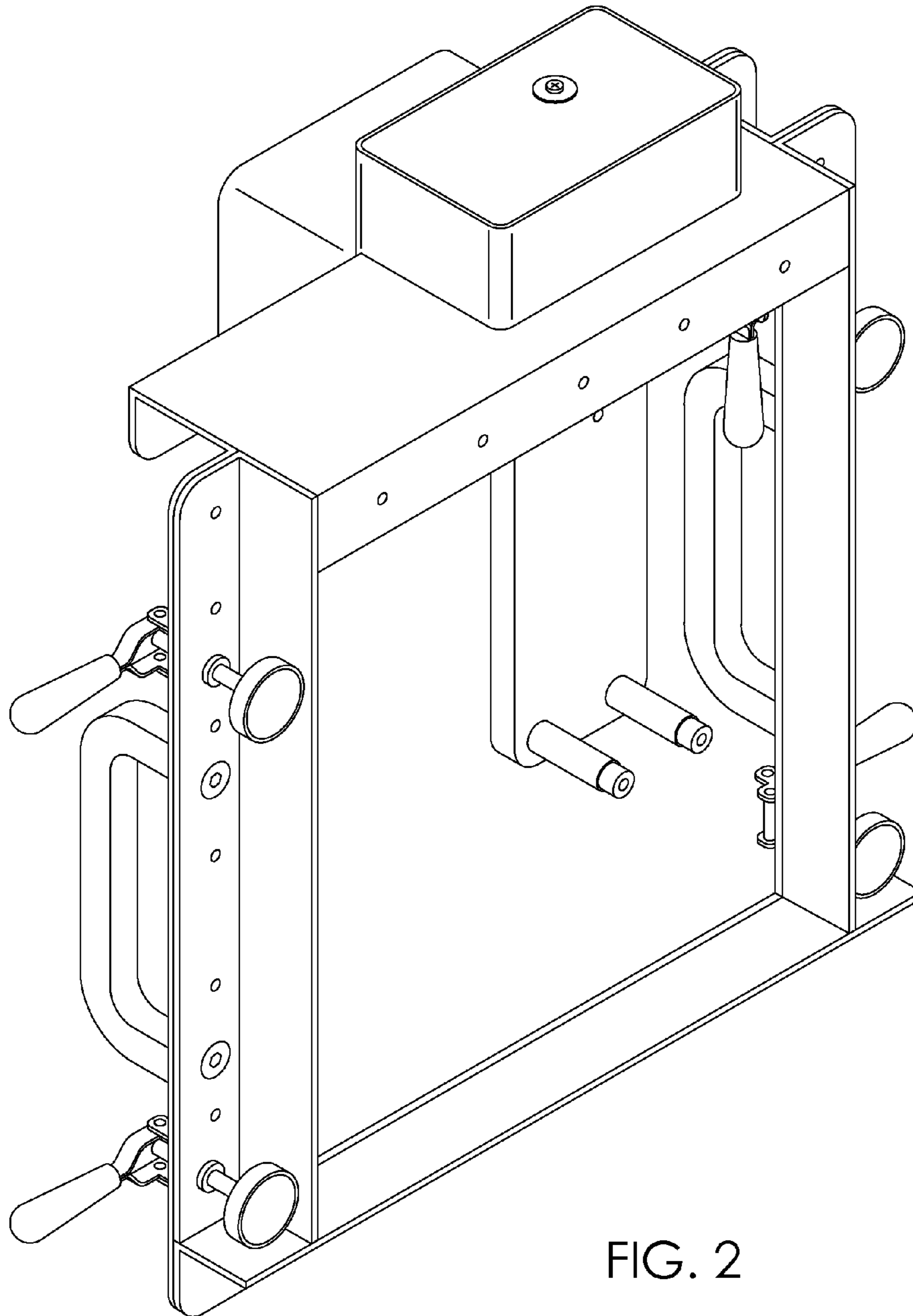


FIG. 2

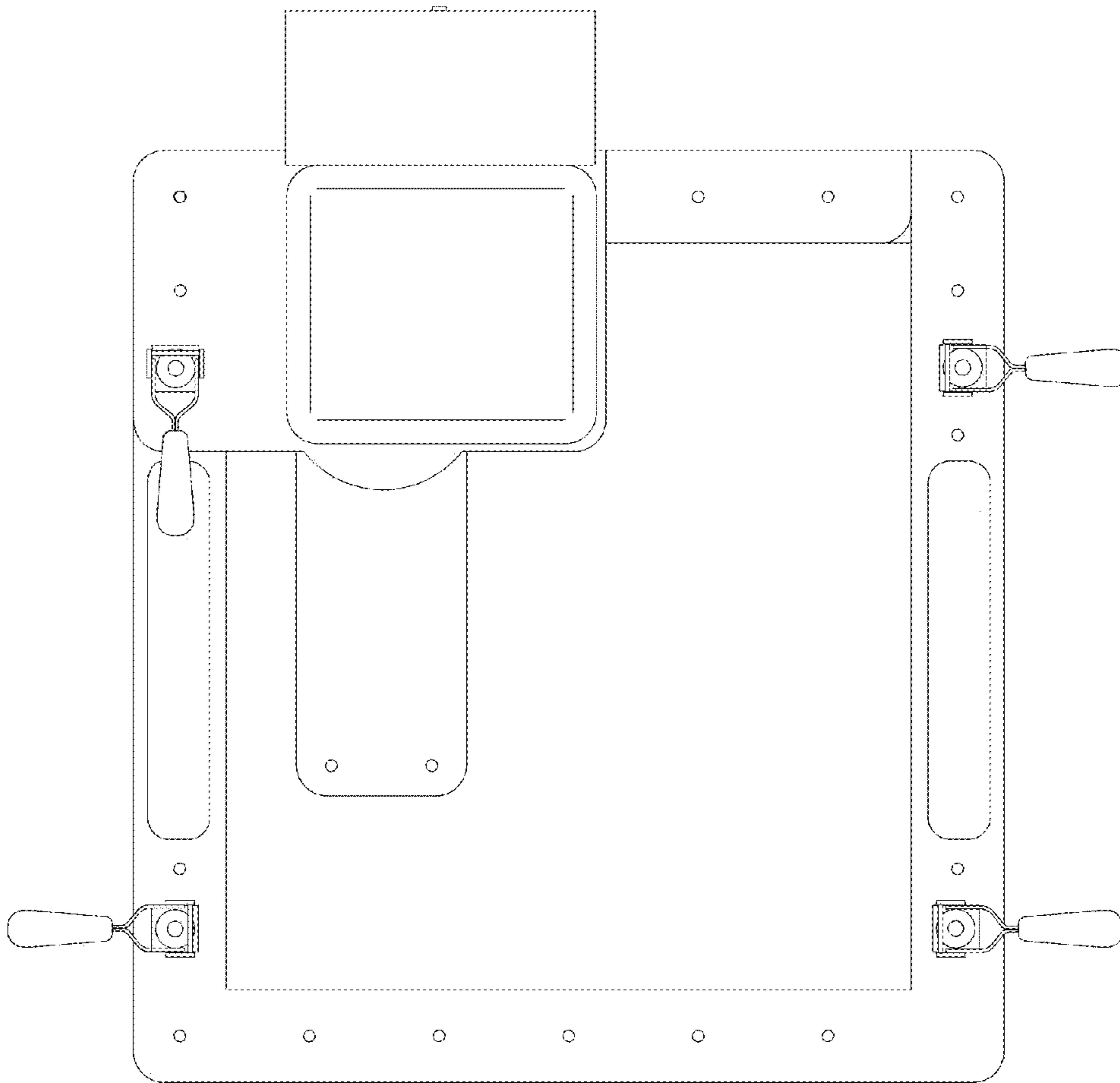


FIG. 3

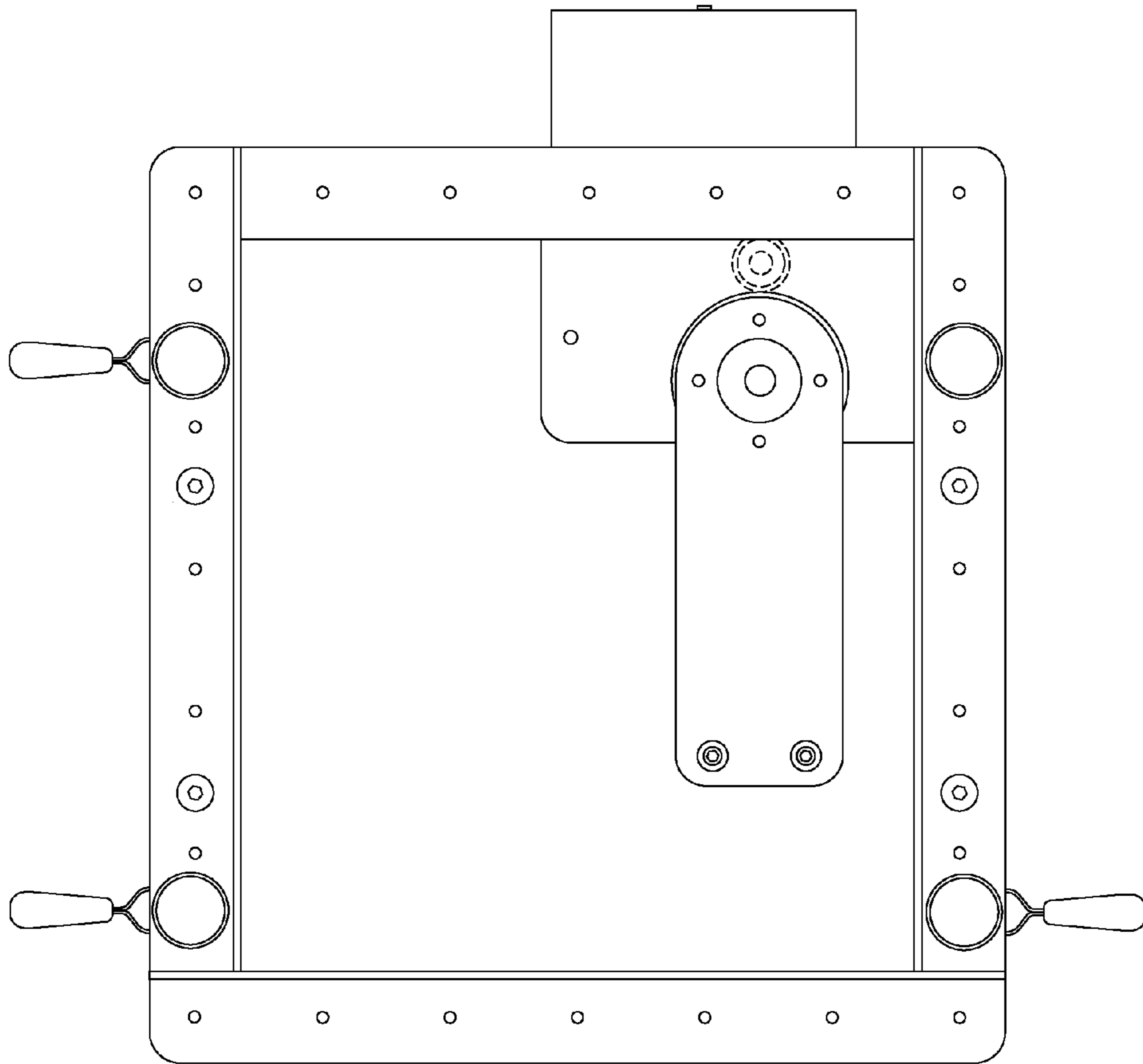


FIG. 4

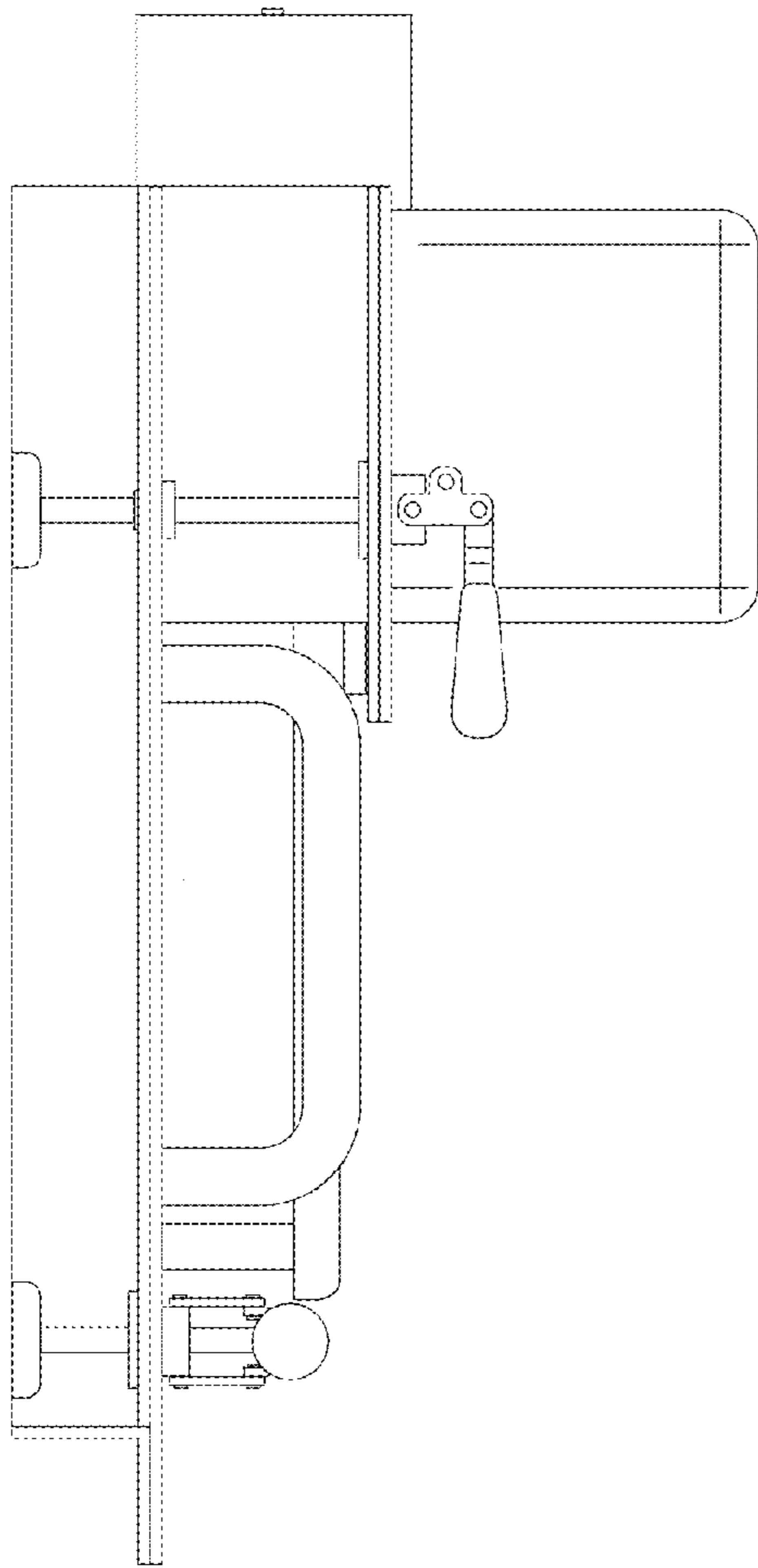


FIG. 5

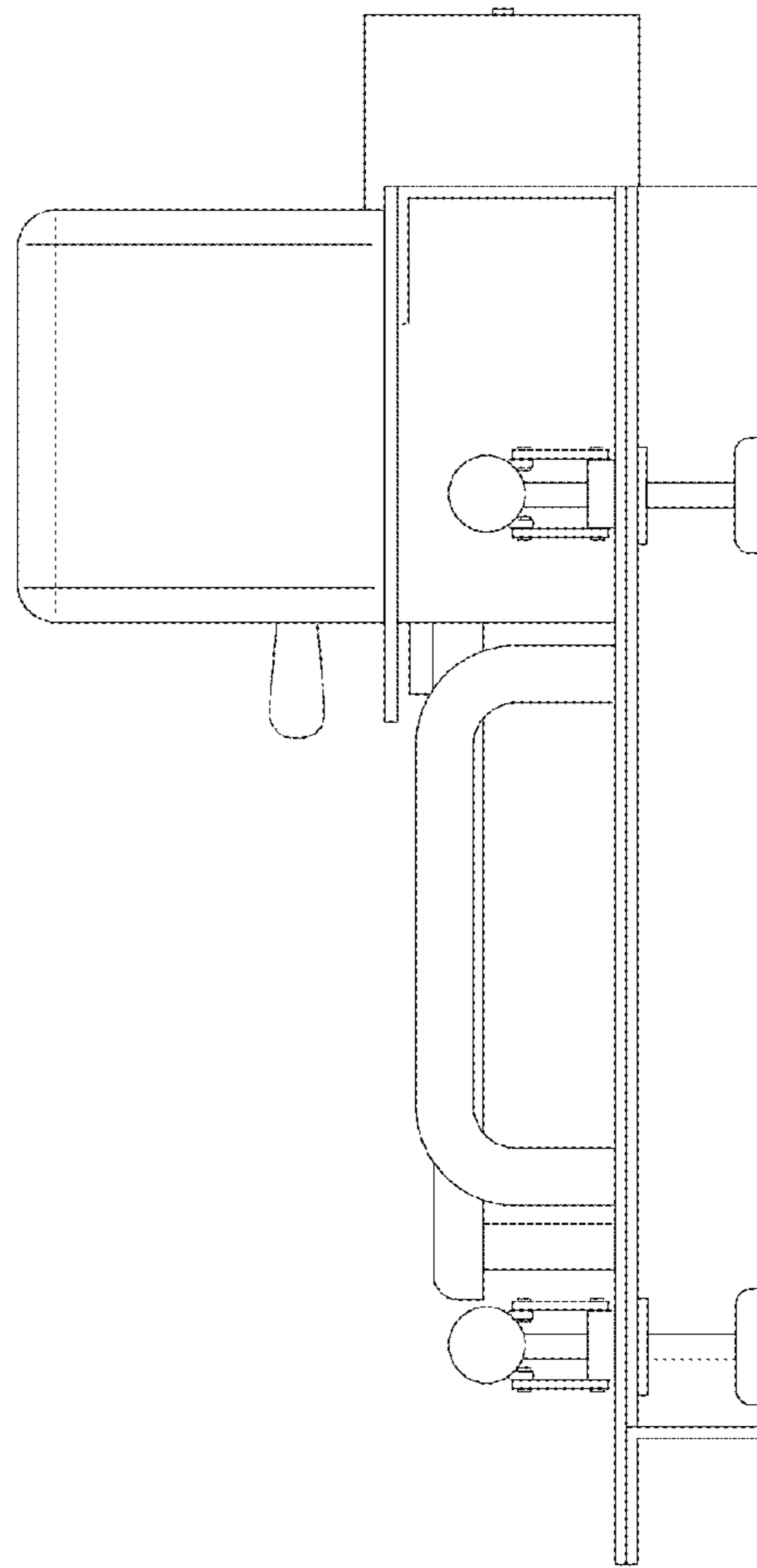


FIG. 6

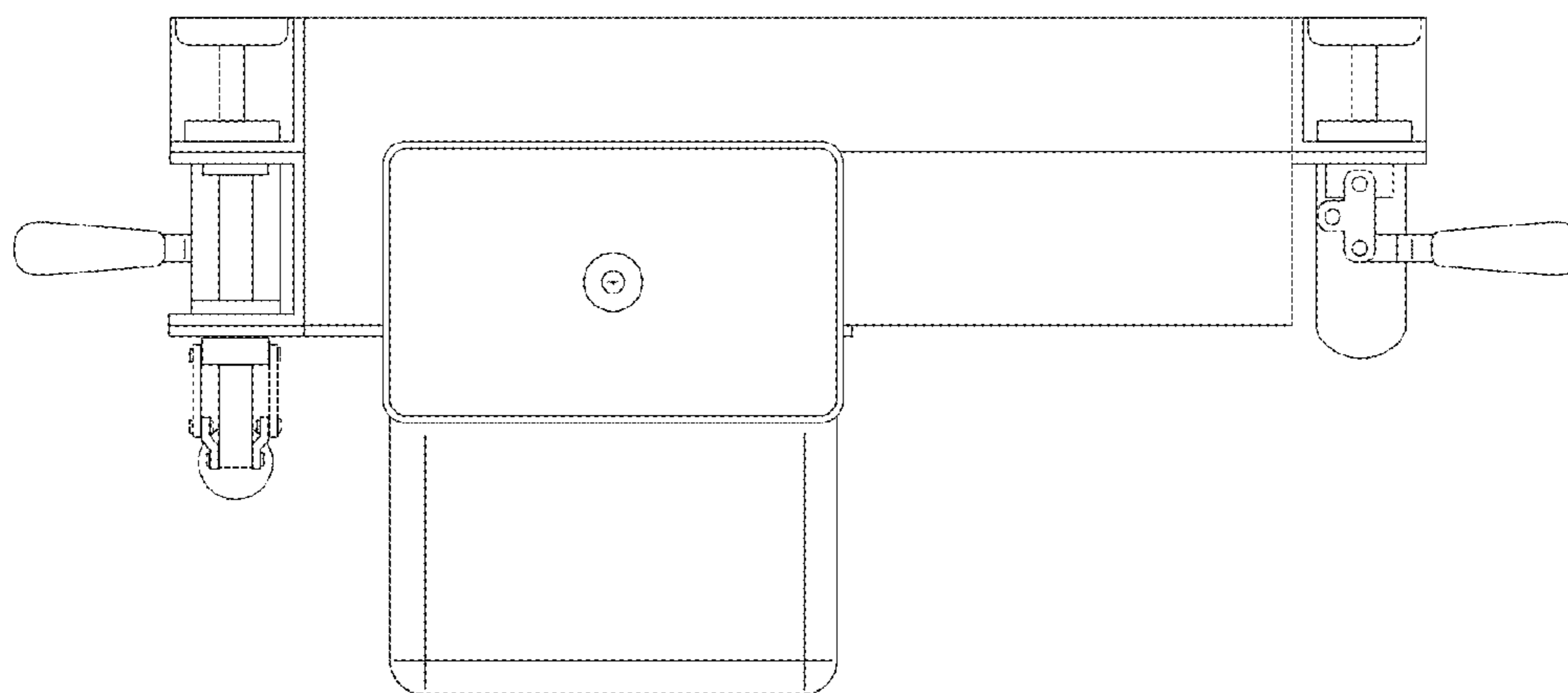


FIG. 7

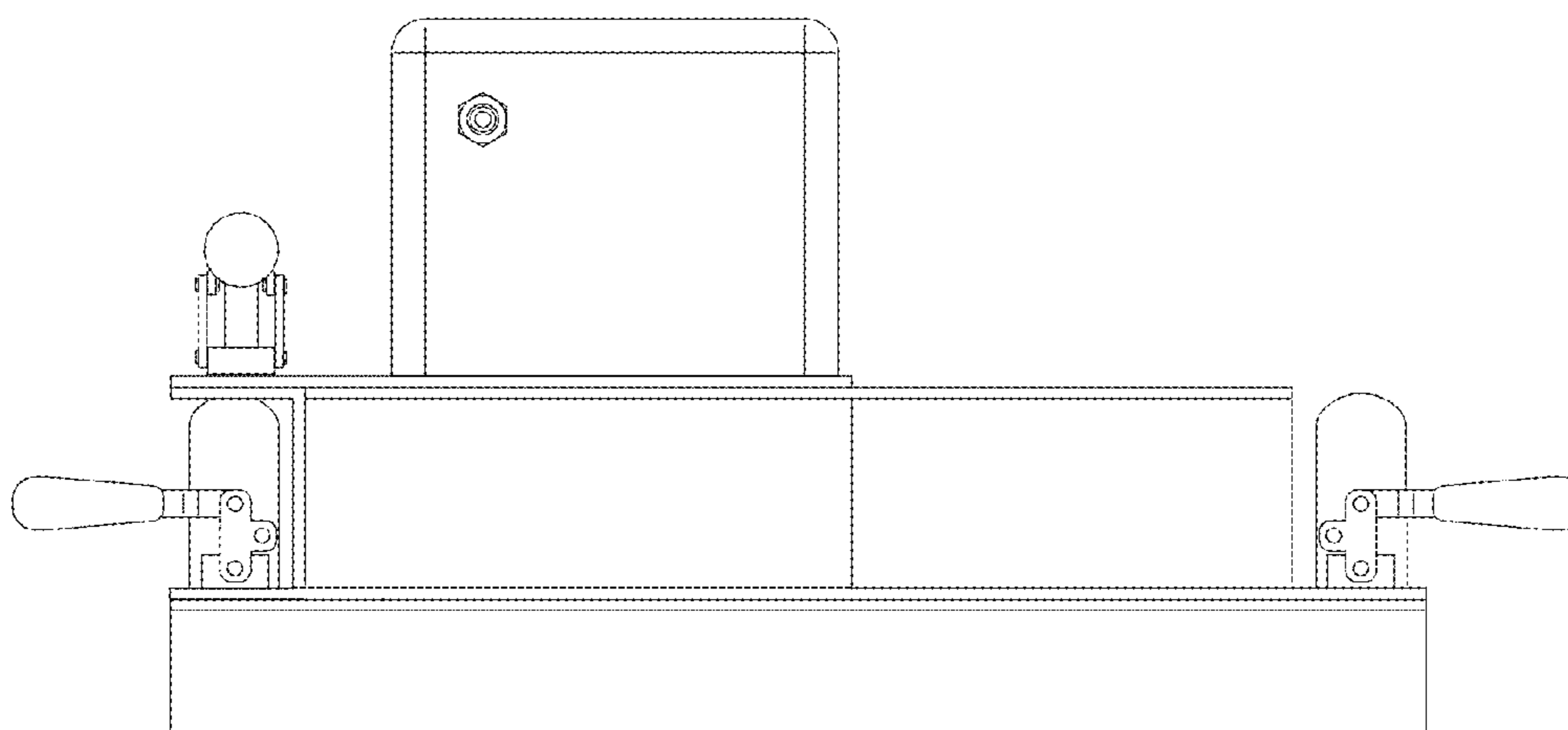


FIG. 8

