



US00D730843S

(12) **United States Design Patent**
Yumoto

(10) **Patent No.:** **US D730,843 S**
(45) **Date of Patent:** **** Jun. 2, 2015**

(54) **LIMIT SWITCH**

(71) Applicant: **TLV Co., Ltd.**, Kakogawa-shi (JP)

(72) Inventor: **Hideaki Yumoto**, Kakogawa (JP)

(73) Assignee: **TLV Co., Ltd.** (JP)

(**) Term: **14 Years**

(21) Appl. No.: **29/450,936**

(22) Filed: **Mar. 26, 2013**

(30) **Foreign Application Priority Data**

Sep. 26, 2012 (JP) 2012-023378

(51) **LOC (10) Cl.** **13-03**

(52) **U.S. Cl.**
USPC **D13/158**

(58) **Field of Classification Search**
USPC D13/101, 110, 123, 133, 158-161, 182,
D13/184, 199; D15/145, 199; D26/2;
D10/106.8; 307/112, 139, 150; 361/42;
310/10

See application file for complete search history.

(56) **References Cited**

U.S. PATENT DOCUMENTS

D532,752 S *	11/2006	McCord et al.	D13/158
D551,182 S *	9/2007	Furukawa et al.	D10/101
D558,147 S *	12/2007	Ruemenapp	D13/158
D583,332 S *	12/2008	Shang	D13/158
7,888,611 B2 *	2/2011	Lin	200/47
D692,394 S *	10/2013	Takahashi et al.	D13/158
D692,395 S *	10/2013	Takahashi et al.	D13/158

* cited by examiner

Primary Examiner — Thomas Johannes

Assistant Examiner — Shawn T Gingrich

(74) *Attorney, Agent, or Firm* — The Webb Law Firm

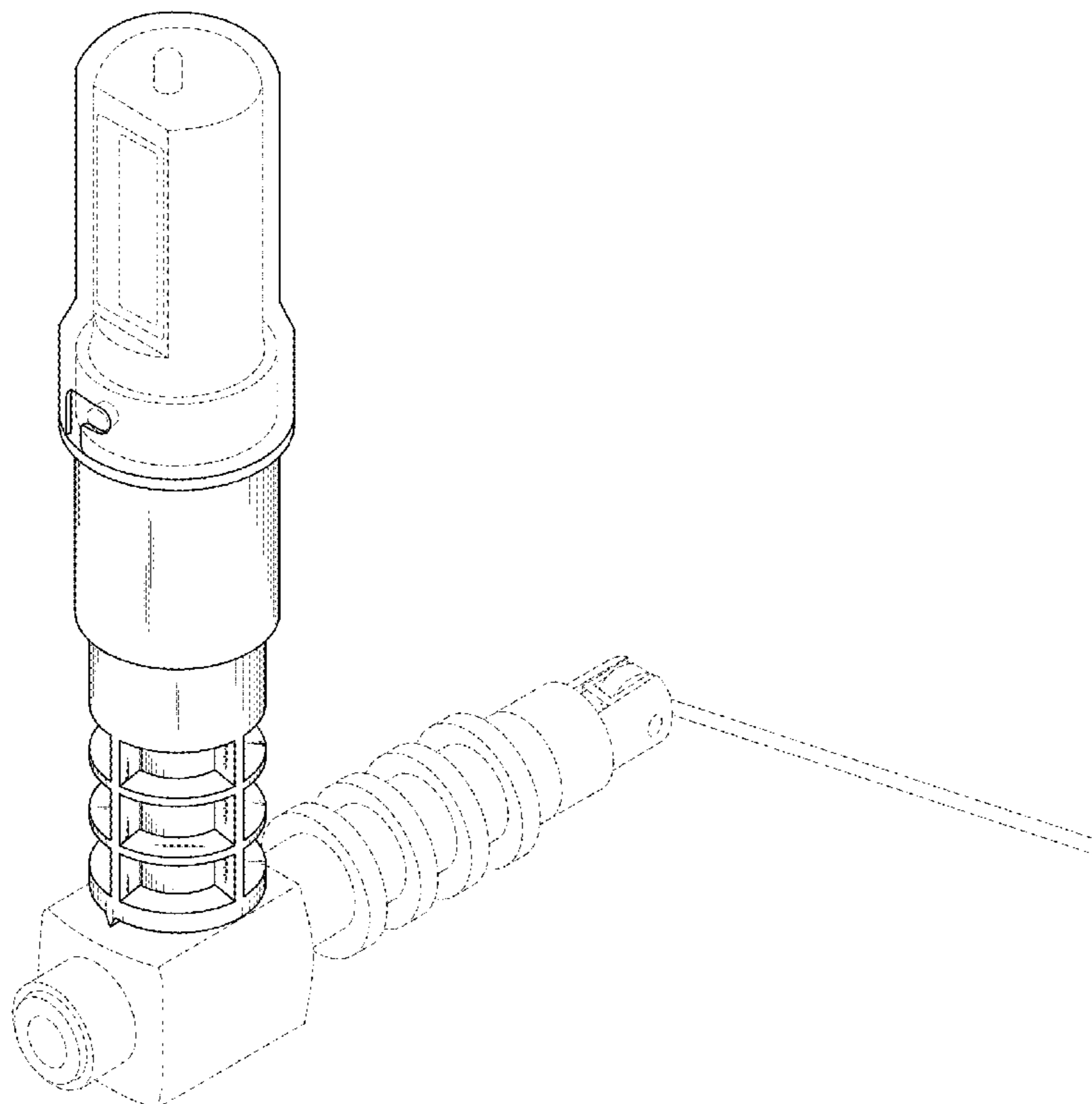
(57) **CLAIM**

The ornamental design for a limit switch, as shown and described.

DESCRIPTION

FIG. 1 is a front view of a limit switch showing my new design;
FIG. 2 is a rear view thereof;
FIG. 3 is a left side view thereof;
FIG. 4 is a right side view thereof;
FIG. 5 is a top view thereof;
FIG. 6 is a bottom view thereof; and,
FIG. 7 is a perspective view thereof.
The portions of the limit switch shown in broken lines form no part of the claimed design.

1 Claim, 5 Drawing Sheets



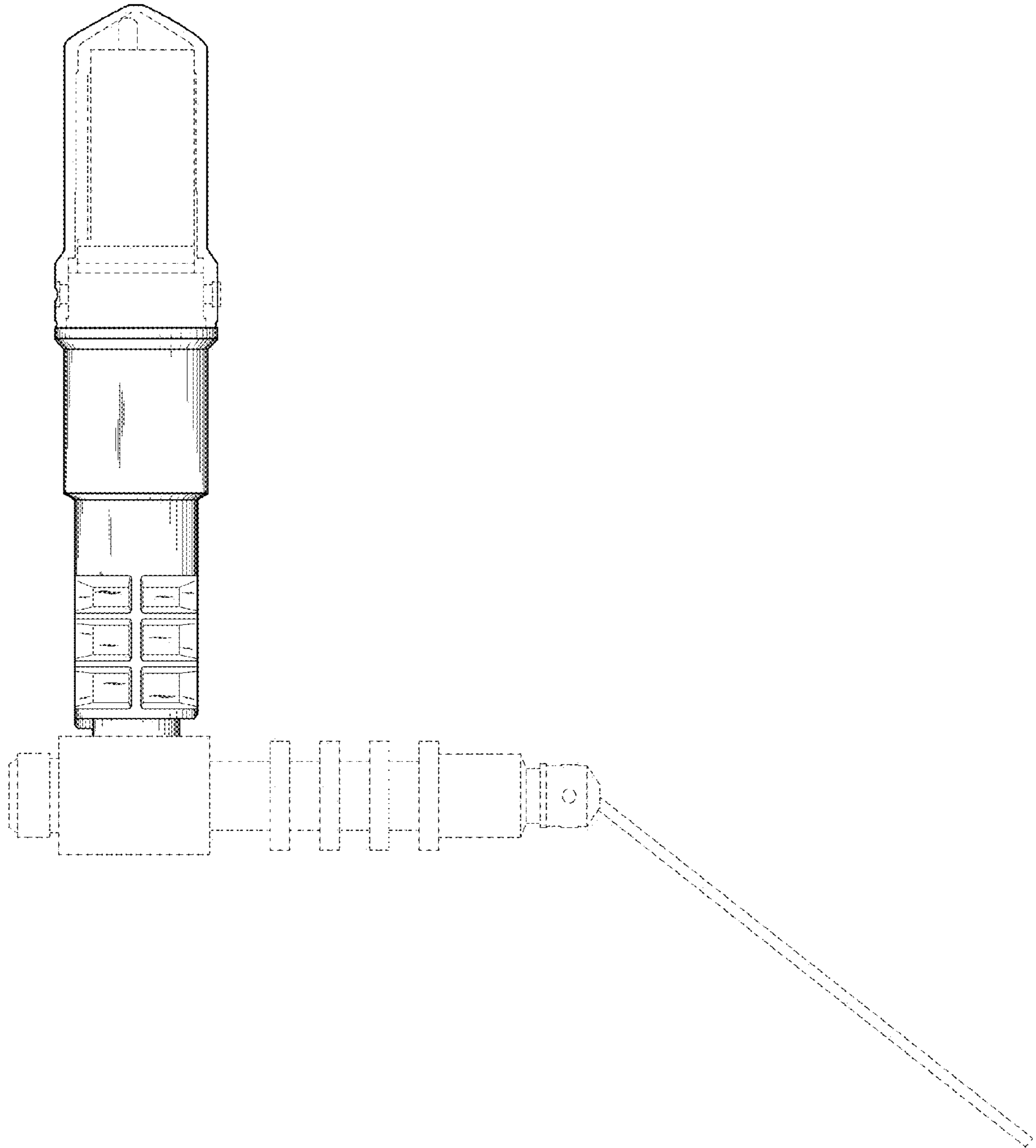


FIG. 1

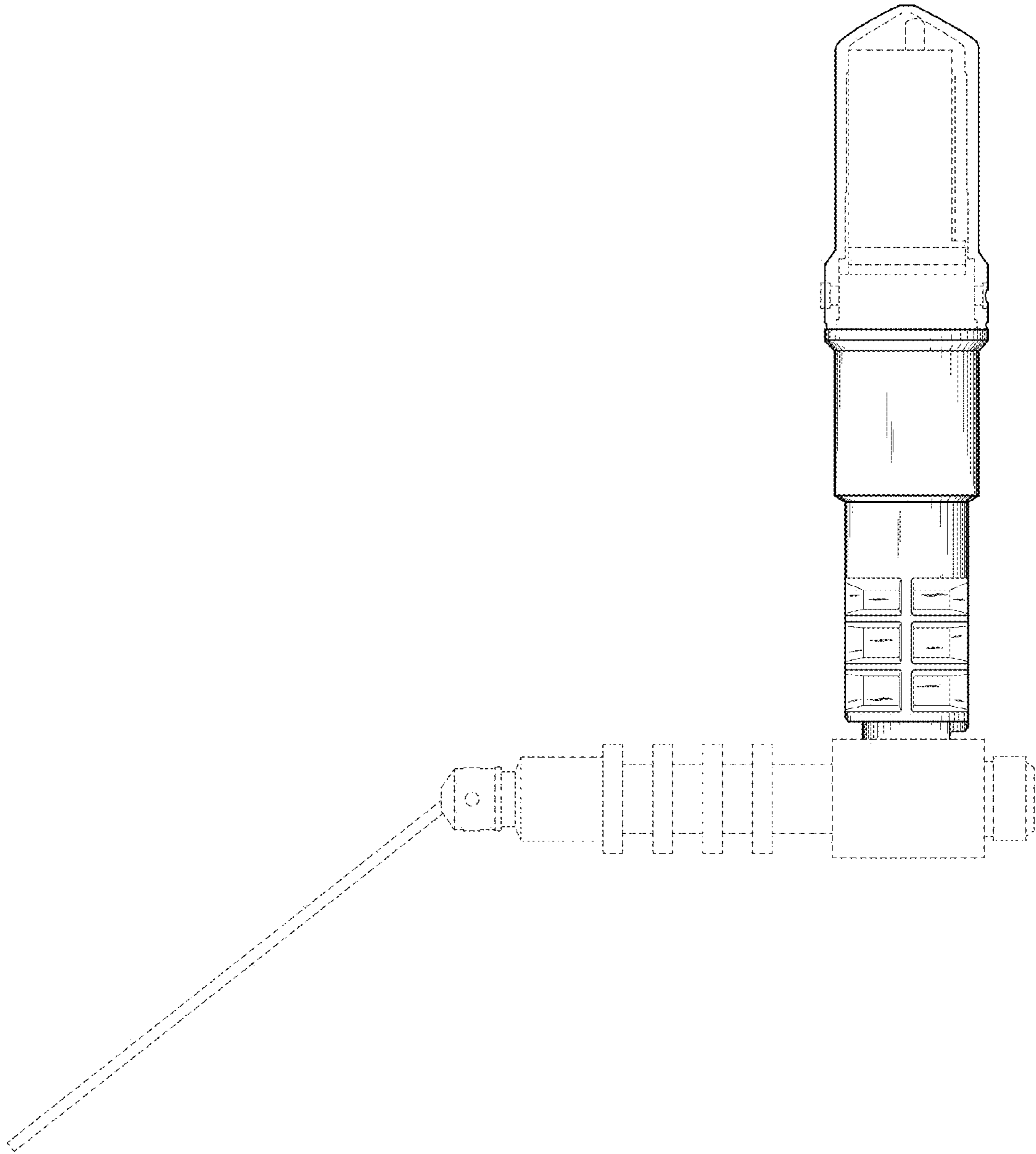


FIG. 2

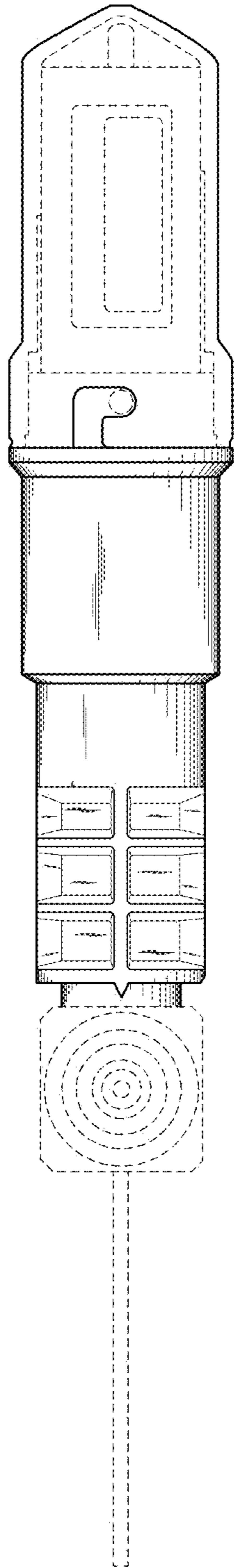


FIG. 3

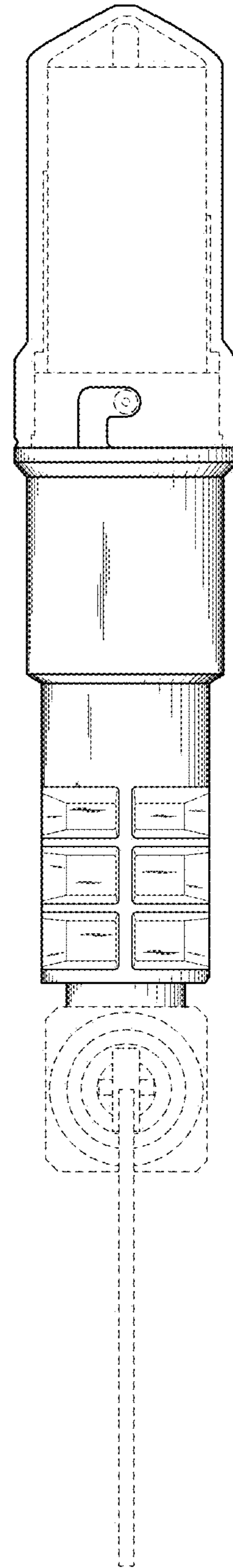


FIG. 4

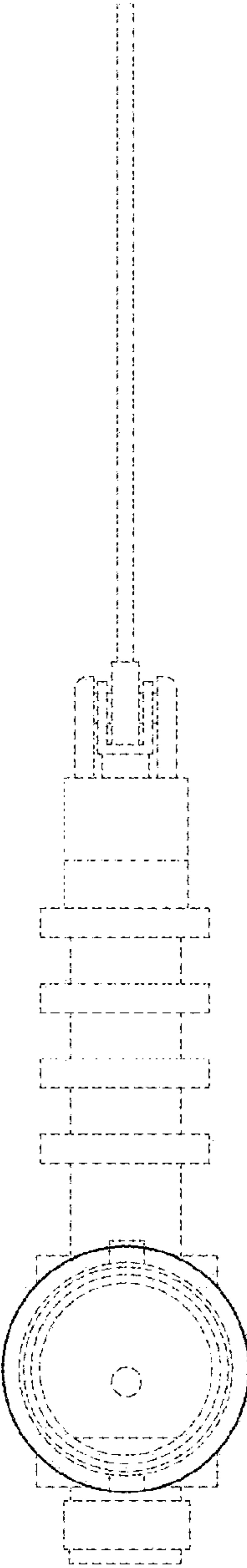


FIG. 5

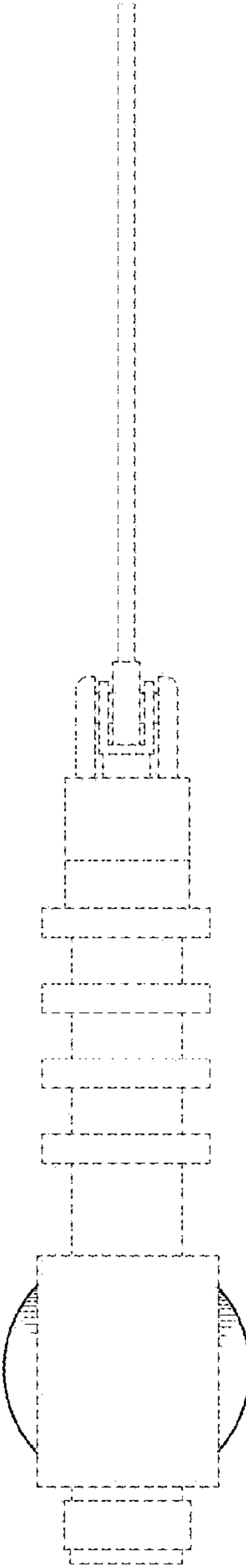


FIG. 6

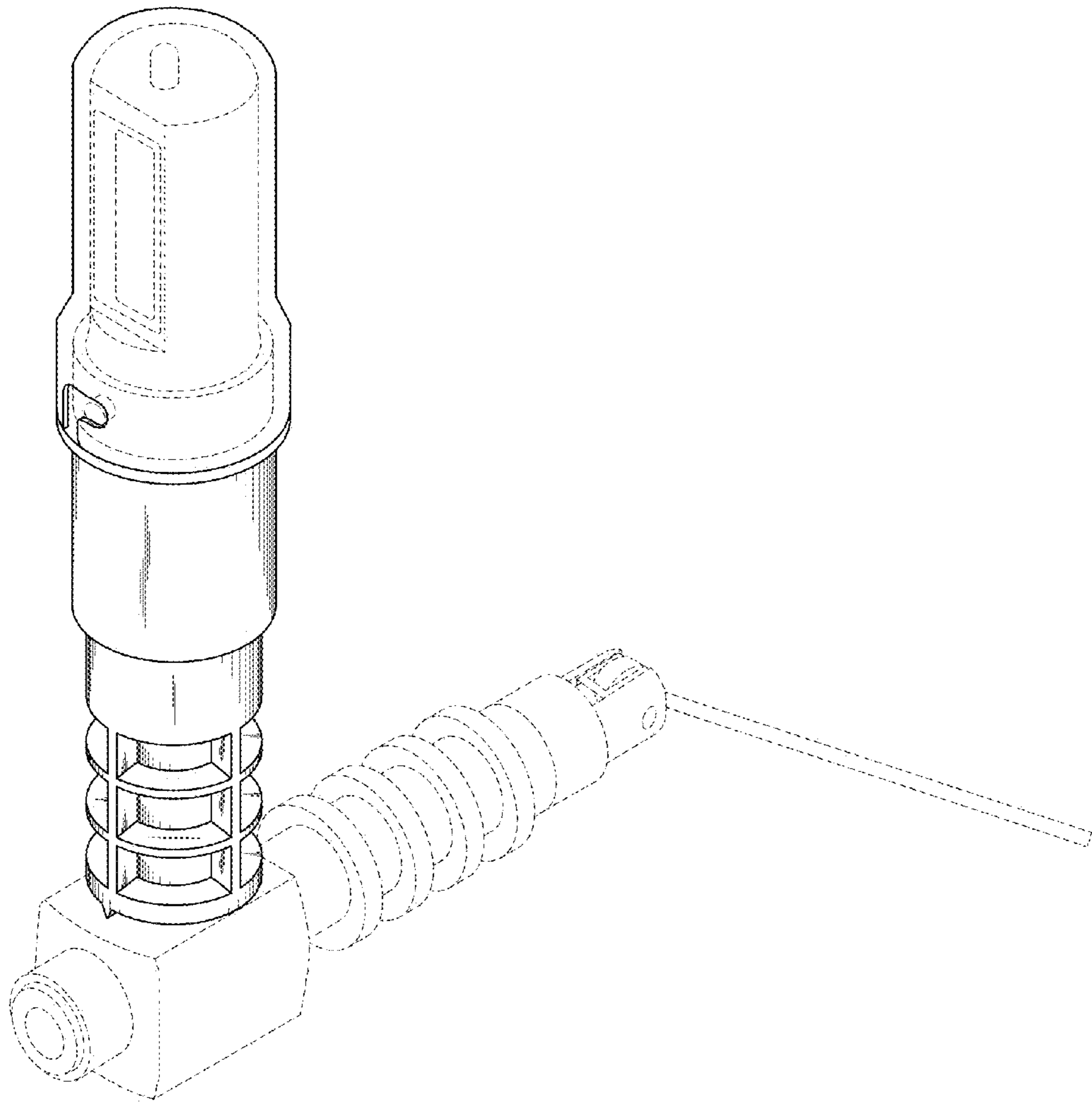


FIG. 7