



US00D730842S

(12) **United States Design Patent**
Sasano

(10) **Patent No.:** **US D730,842 S**

(45) **Date of Patent:** **** Jun. 2, 2015**

(54) **TERMINAL BLOCK**

(71) Applicant: **OMRON Corporation**, Kyoto-shi,
Kyoto (JP)

(72) Inventor: **Naoya Sasano**, Hachioji (JP)

(73) Assignee: **OMRON CORPORATION**, Kyoto (JP)

(**) Term: **14 Years**

(21) Appl. No.: **29/493,187**

(22) Filed: **Jun. 6, 2014**

(30) **Foreign Application Priority Data**

Dec. 12, 2013 (JP) 2013-029139

(51) **LOC (10) Cl.** **13-03**

(52) **U.S. Cl.**
USPC **D13/154**

(58) **Field of Classification Search**

USPC D13/154, 118, 119, 120, 123, 133, 146,
D13/147, 184, 199; 439/862, 870, 877,
439/884-885, 887-891

CPC H01R 4/00; H01R 4/48; H01R 9/00;
H01R 11/00; H01R 13/00; H01R 12/70;
H01R 24/00; H01R 33/00; H01R 41/00

See application file for complete search history.

(56) **References Cited**

U.S. PATENT DOCUMENTS

4,759,726 A * 7/1988 Naylor et al. 439/441
D360,620 S * 7/1995 Gehrs et al. D13/184
D414,466 S * 9/1999 Bradshaw et al. D13/147
D423,458 S * 4/2000 Poirier D13/149
D461,771 S * 8/2002 Zhao et al. D13/133

(Continued)

FOREIGN PATENT DOCUMENTS

JP D1463818 3/2013

OTHER PUBLICATIONS

“PTR: Push-in Terminal block” Direct Industry Product page, no publication date given, accessed on Dec. 31, 2014, <<http://www.directindustry.com/prod/ptr-messtechnik/push-in-terminal-blocks-14571-923523.html>>.*

Primary Examiner — Jeffrey D Asch

Assistant Examiner — Sanjeev Paul

(74) *Attorney, Agent, or Firm* — Harness, Dickey & Pierce, P.L.C.

(57) **CLAIM**

The ornamental design for a terminal block, as shown and described.

DESCRIPTION

FIG. 1 is a top, front and right side perspective view of a terminal block showing my new design;

FIG. 2 is a bottom, front and right side perspective view thereof;

FIG. 3 is a bottom, front and left side perspective view thereof;

FIG. 4 is a front elevational view thereof;

FIG. 5 is a rear elevational view thereof;

FIG. 6 is a left side view thereof;

FIG. 7 is a right side view thereof;

FIG. 8 is a top plan view thereof;

FIG. 9 is a bottom plan view thereof;

FIG. 10 is a cross-sectional view taken along the line of X-X of FIG. 4;

FIG. 11 is a cross-sectional view taken along the line of XI-XI of FIG. 4;

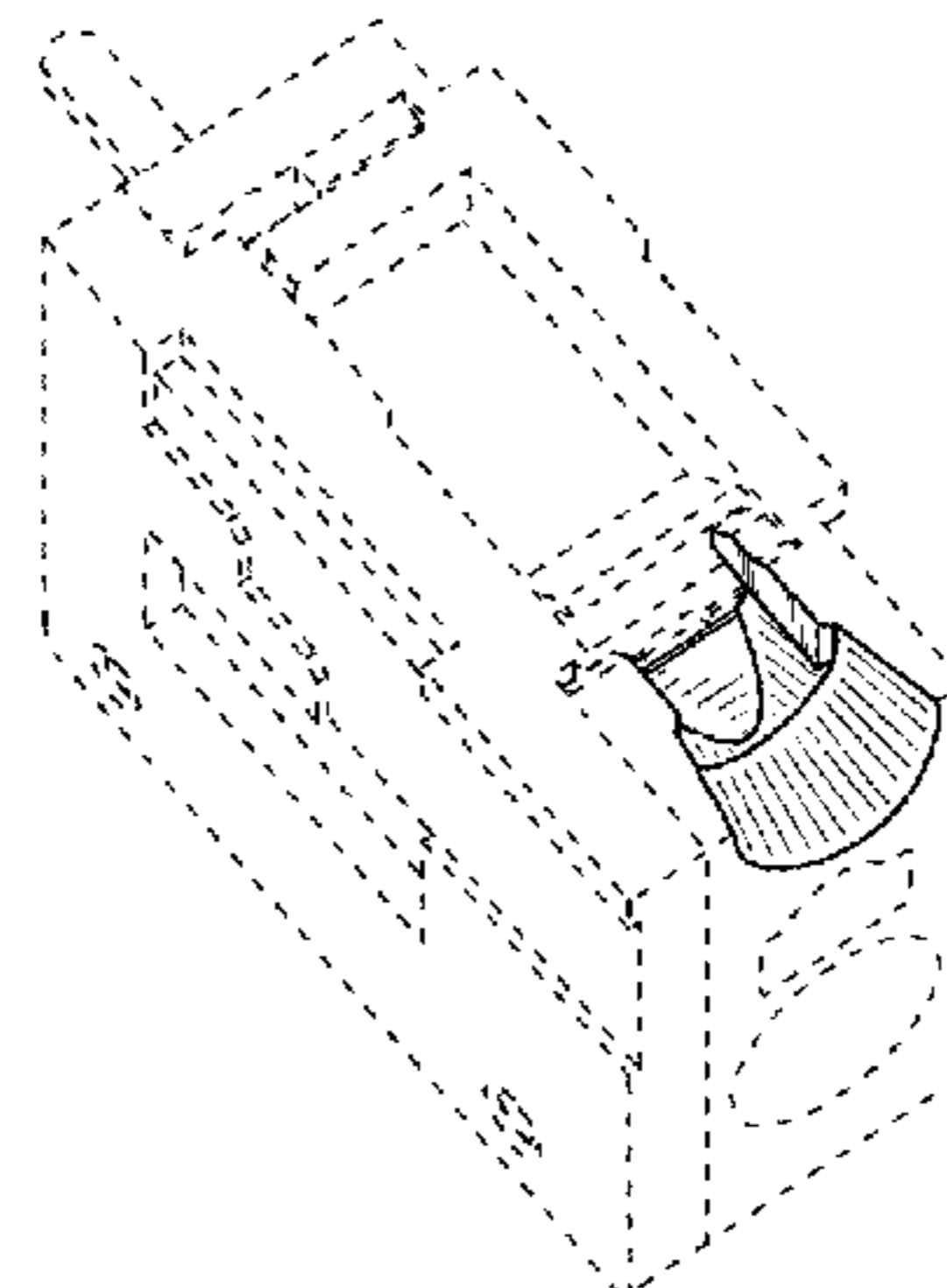
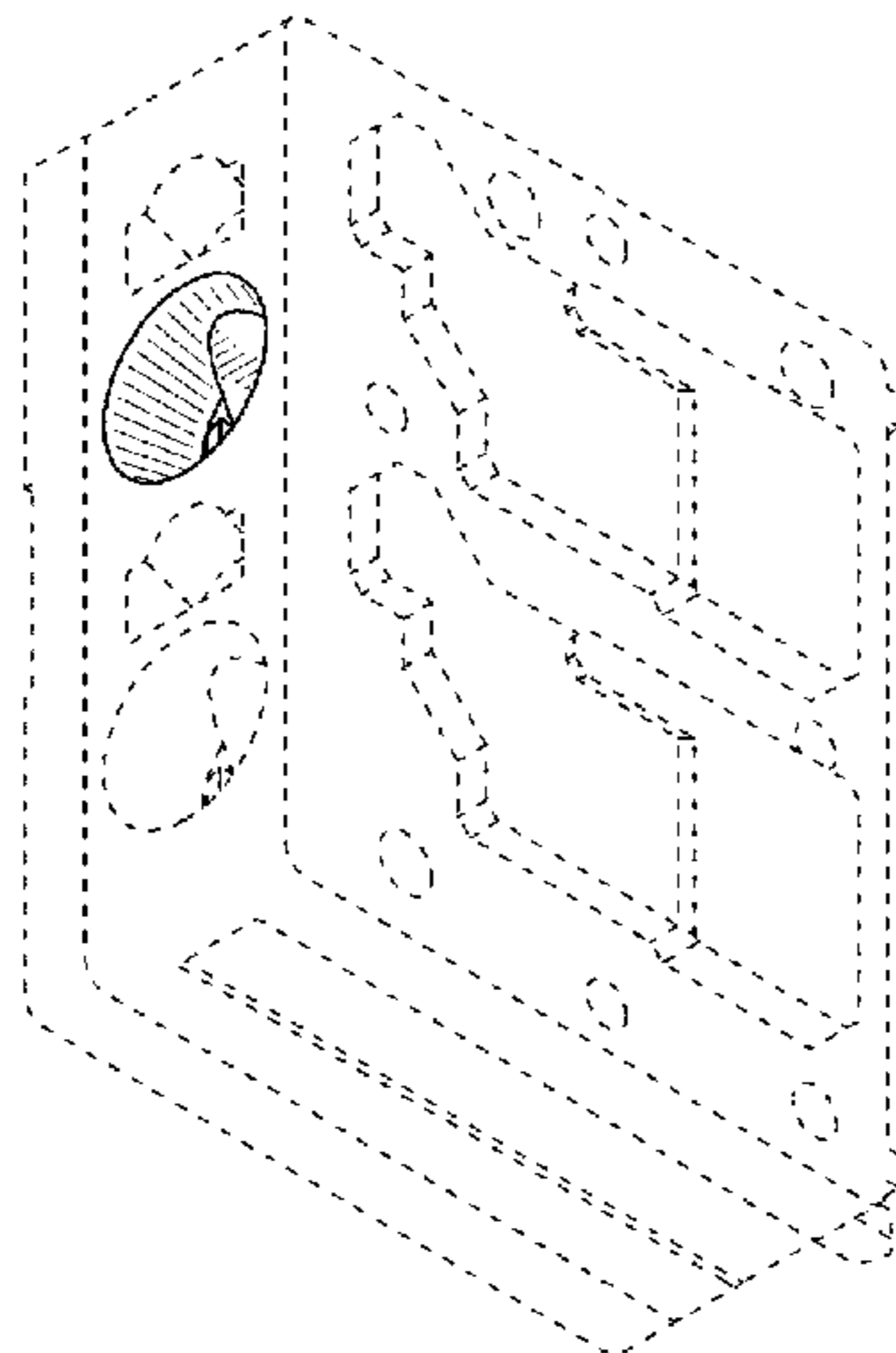
FIG. 12 is a cross-sectional view taken along the line of XII-XII of FIG. 4;

FIG. 13 is a cross-sectional view taken along the line of XIII-XIII of FIG. 4; and,

FIG. 14 is a top perspective cross-sectional view taken along the line XIII-XIII of FIG. 4.

The broken lines depict environmental subject matter only and form no part of the claimed design.

1 Claim, 6 Drawing Sheets



(56)

References Cited

U.S. PATENT DOCUMENTS

D473,519 S * 4/2003 Borst D13/149
D475,973 S * 6/2003 Xu et al. D13/147
D500,989 S * 1/2005 Stadler D13/149
D507,238 S * 7/2005 Stadler D13/147
D598,855 S * 8/2009 Stromiedel et al. D13/133
D624,503 S * 9/2010 Severing D13/147

D625,270 S * 10/2010 Schafmeister D13/147
D626,509 S * 11/2010 Severing D13/147
D641,703 S * 7/2011 Severing D13/146
D670,653 S * 11/2012 Severing D13/147
D671,897 S * 12/2012 Kettern et al. D13/149
D694,191 S * 11/2013 Lien et al. D13/149
2002/0061675 A1 * 5/2002 Borst 439/404
2009/0035983 A1 * 2/2009 Correll 439/460

* cited by examiner

Fig. 1

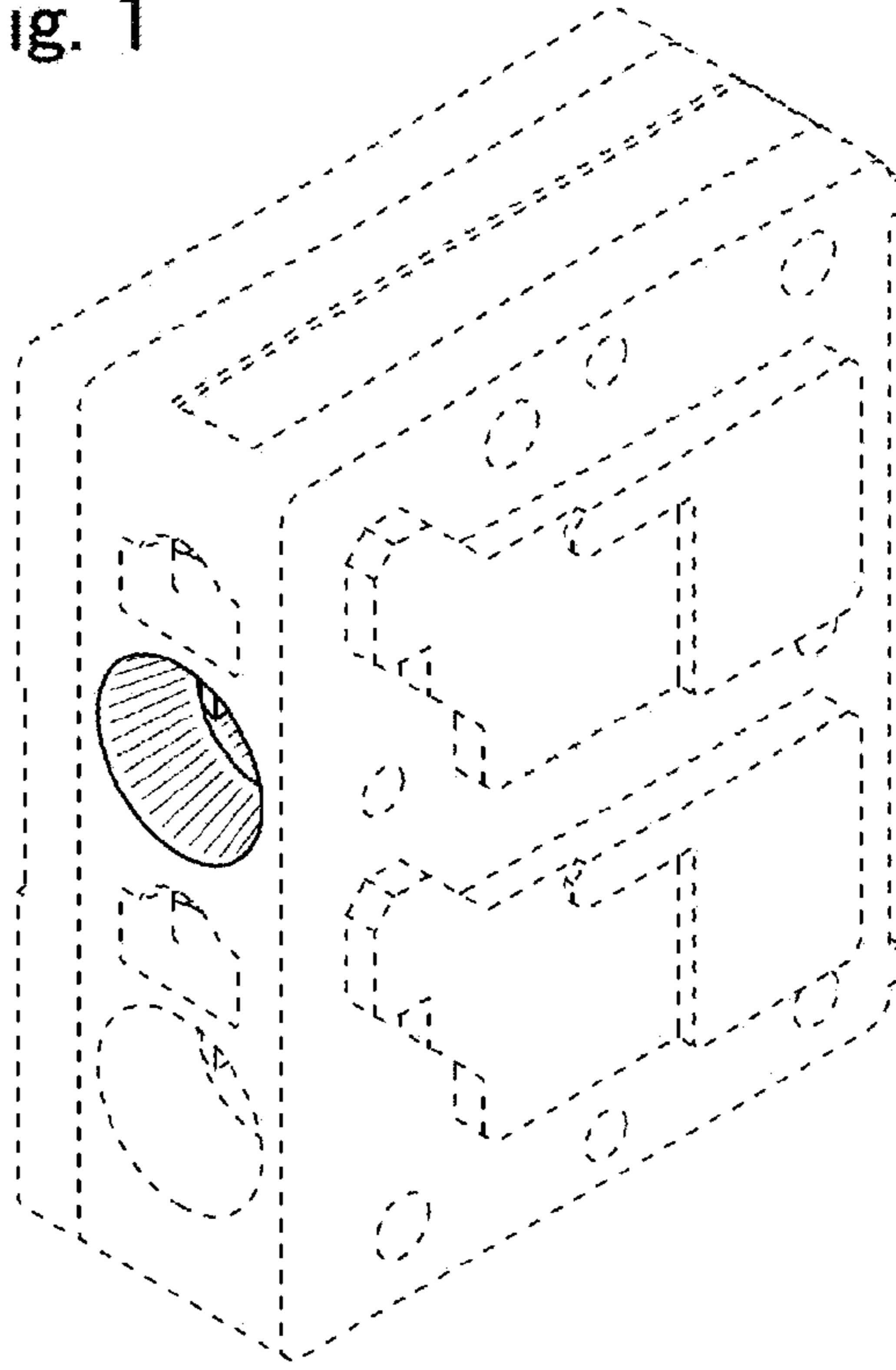


Fig. 2

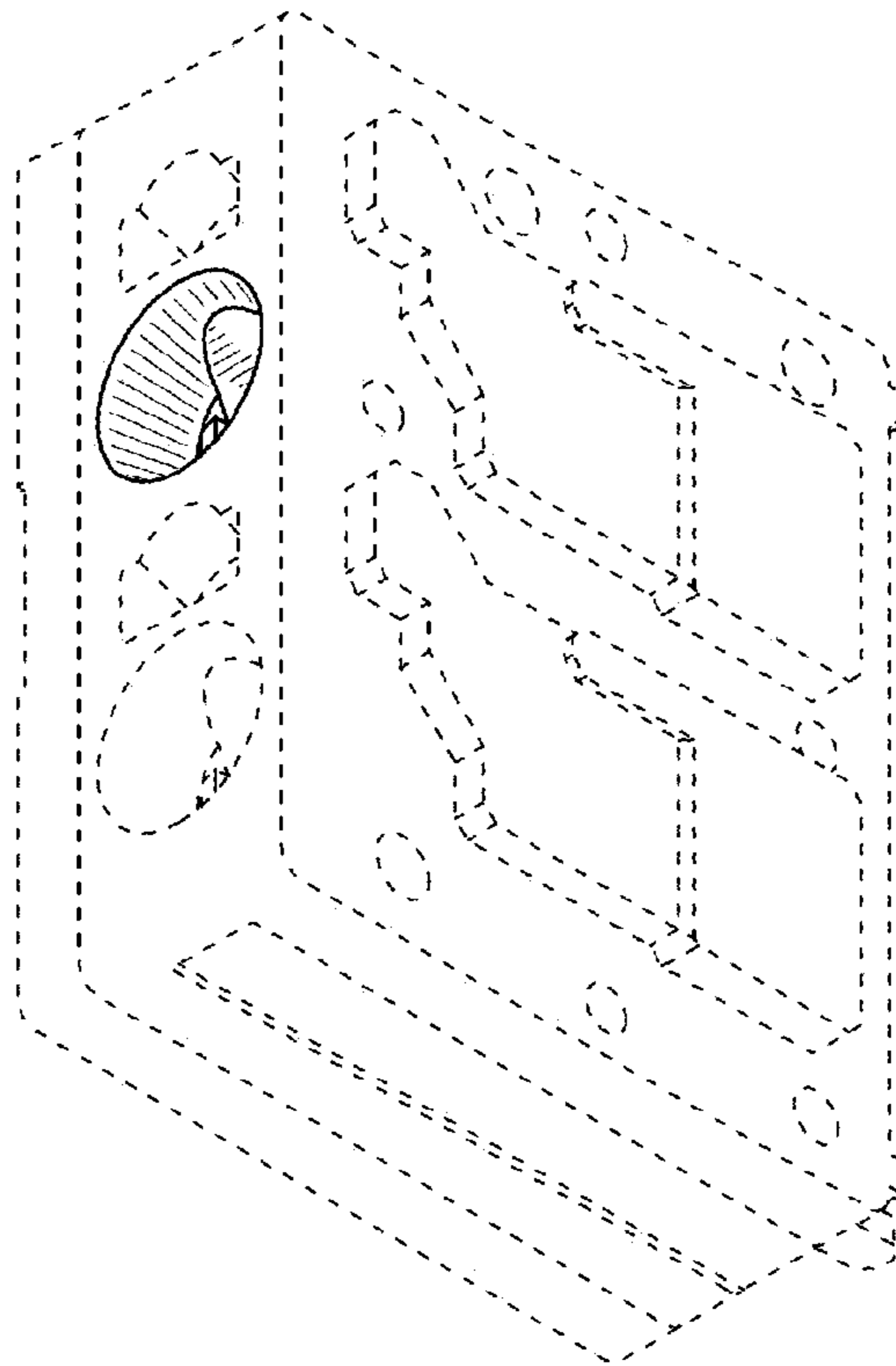


Fig. 3

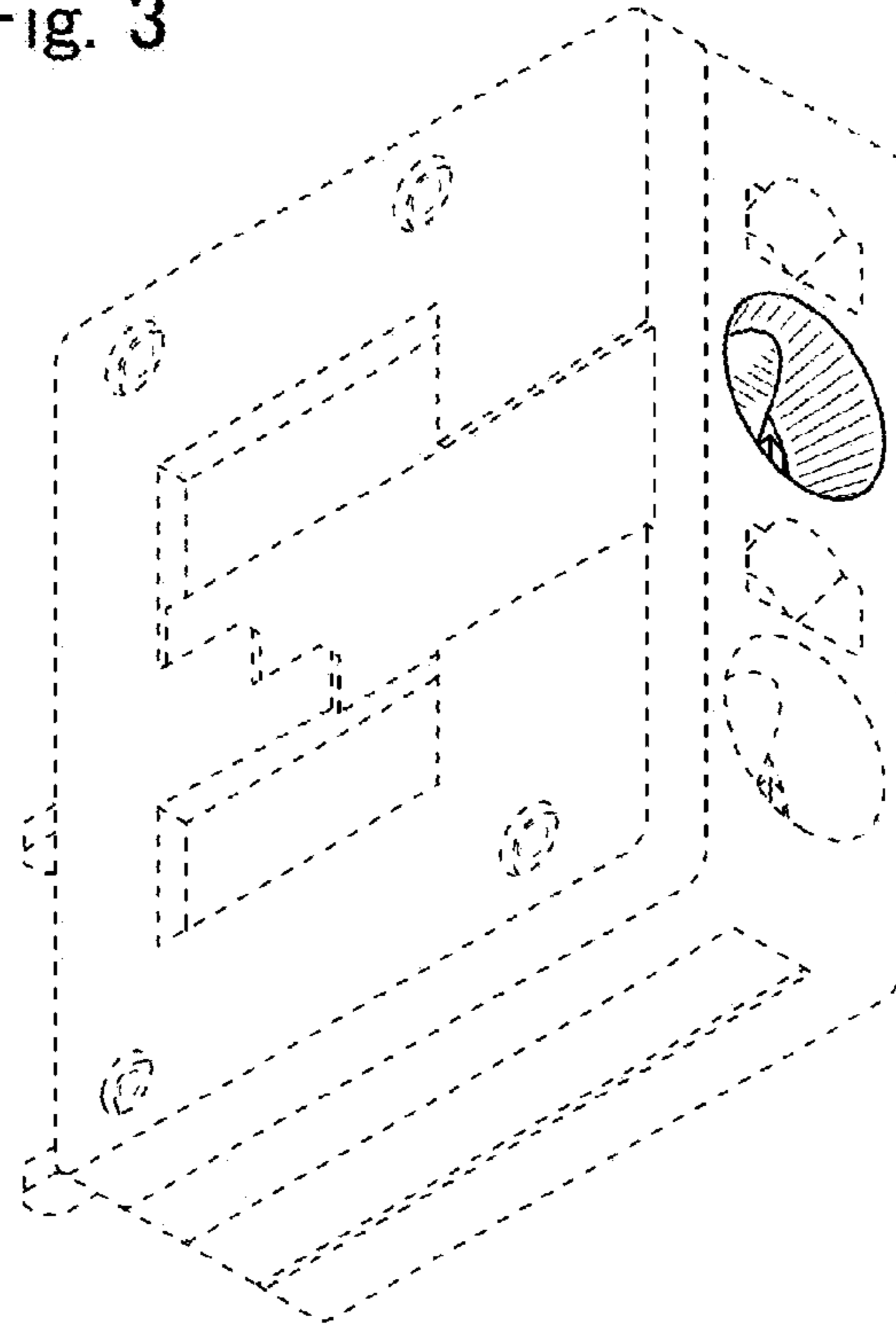


Fig. 4

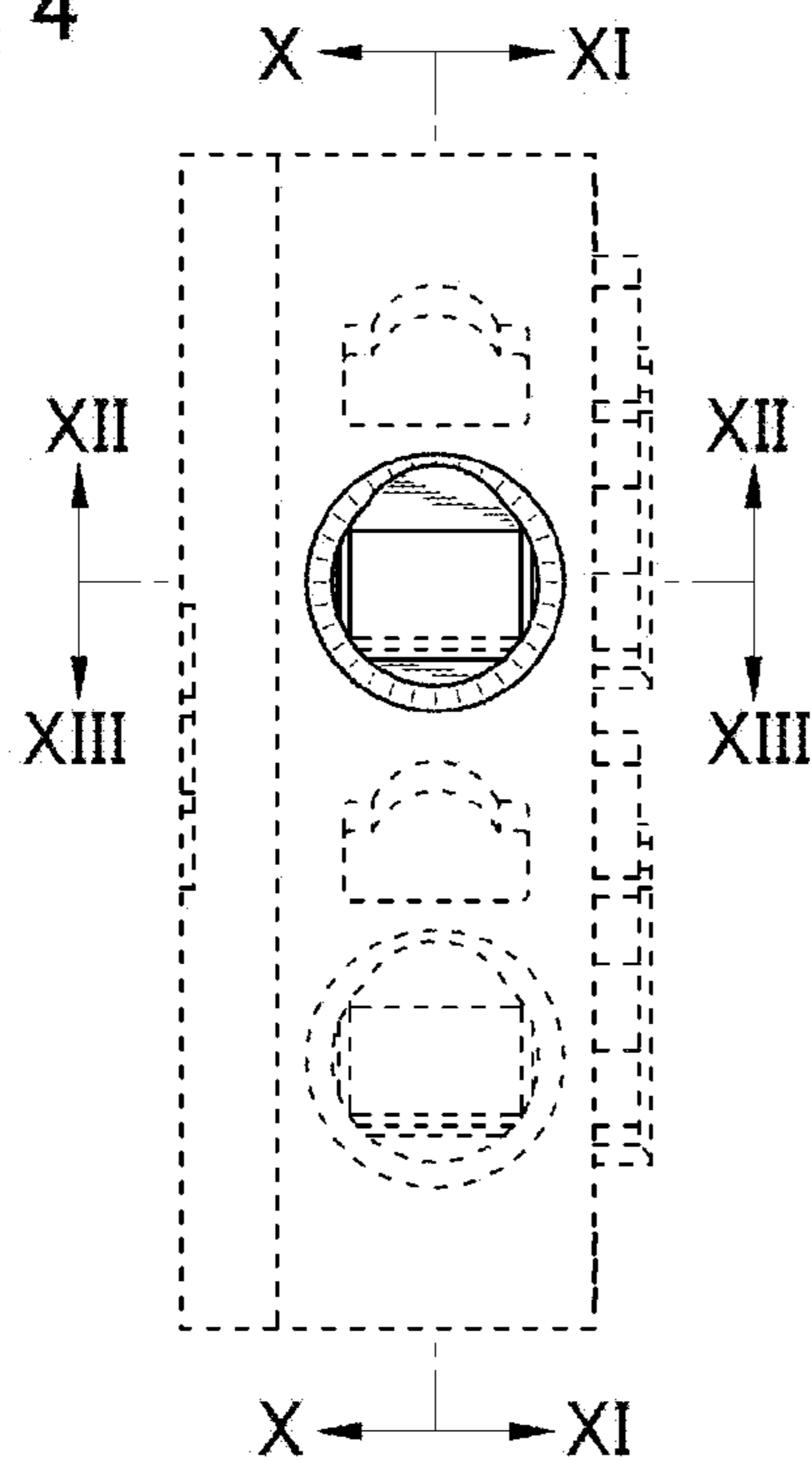


Fig. 5

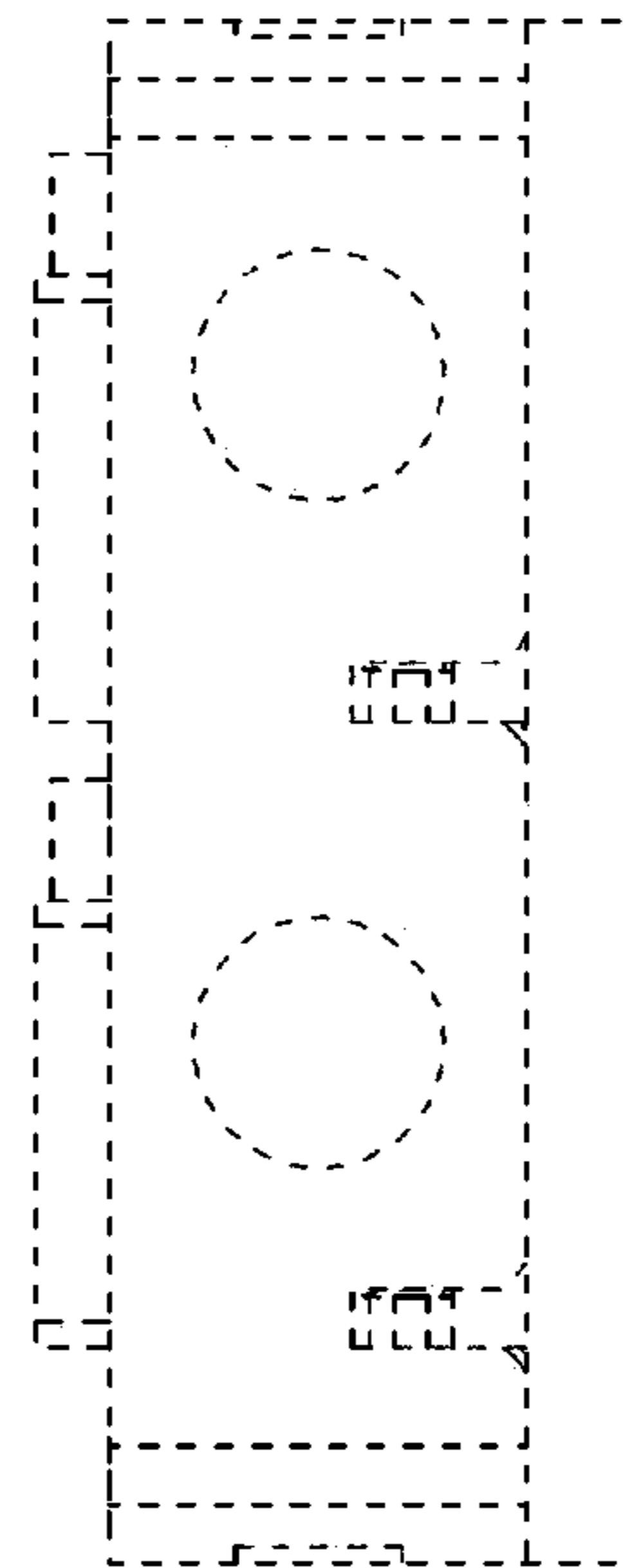


Fig. 6

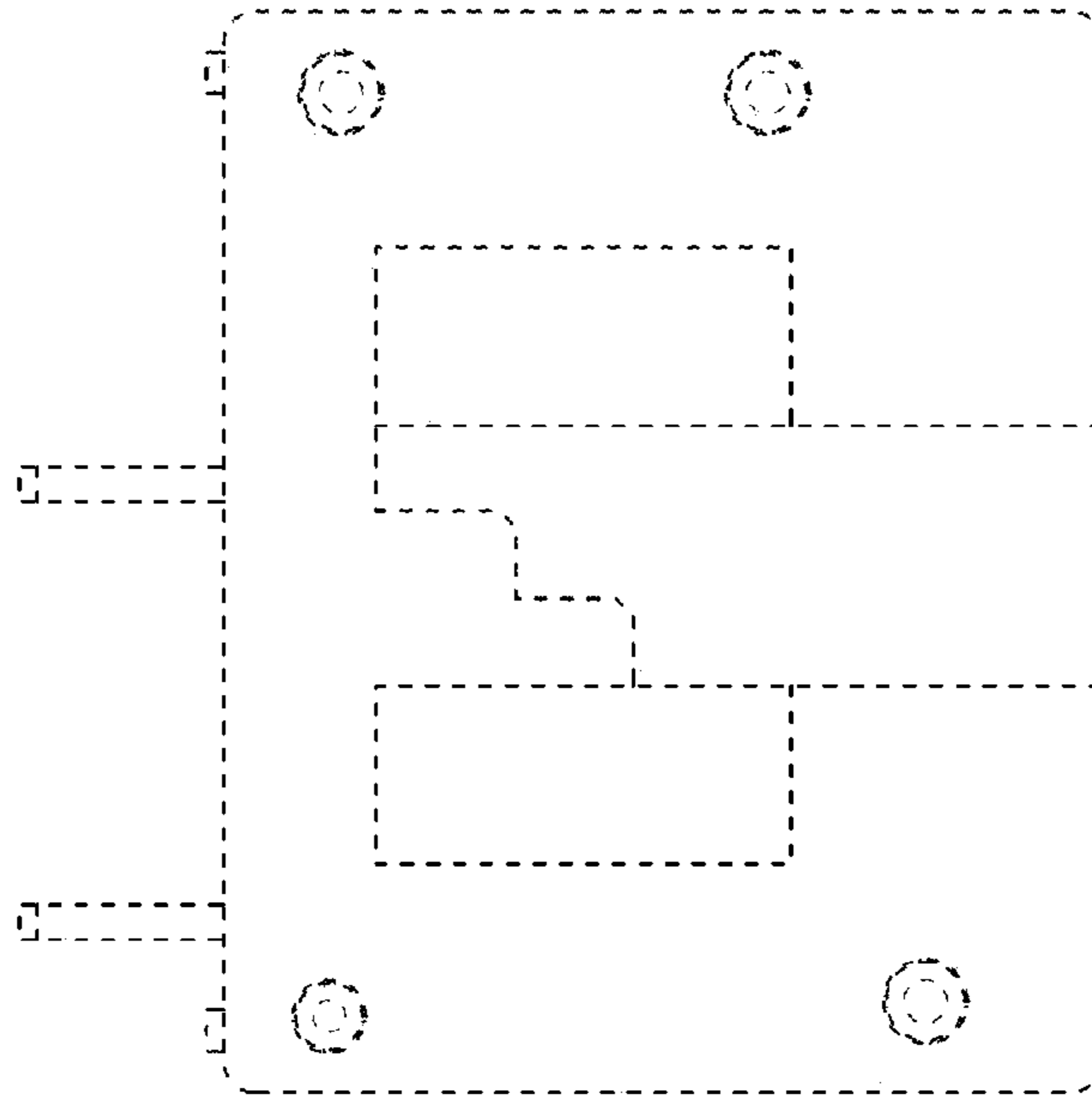


Fig. 7

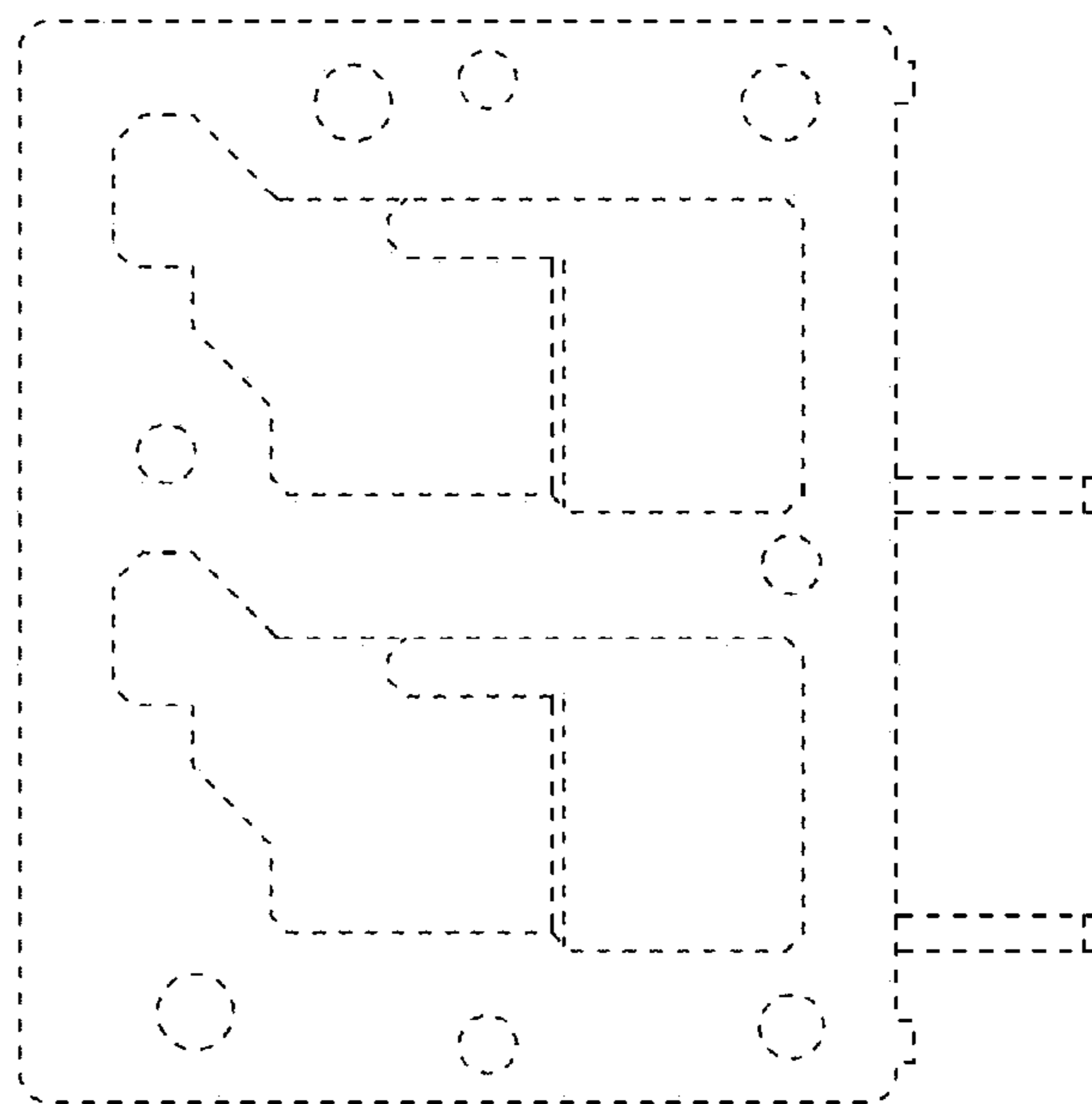


Fig. 8

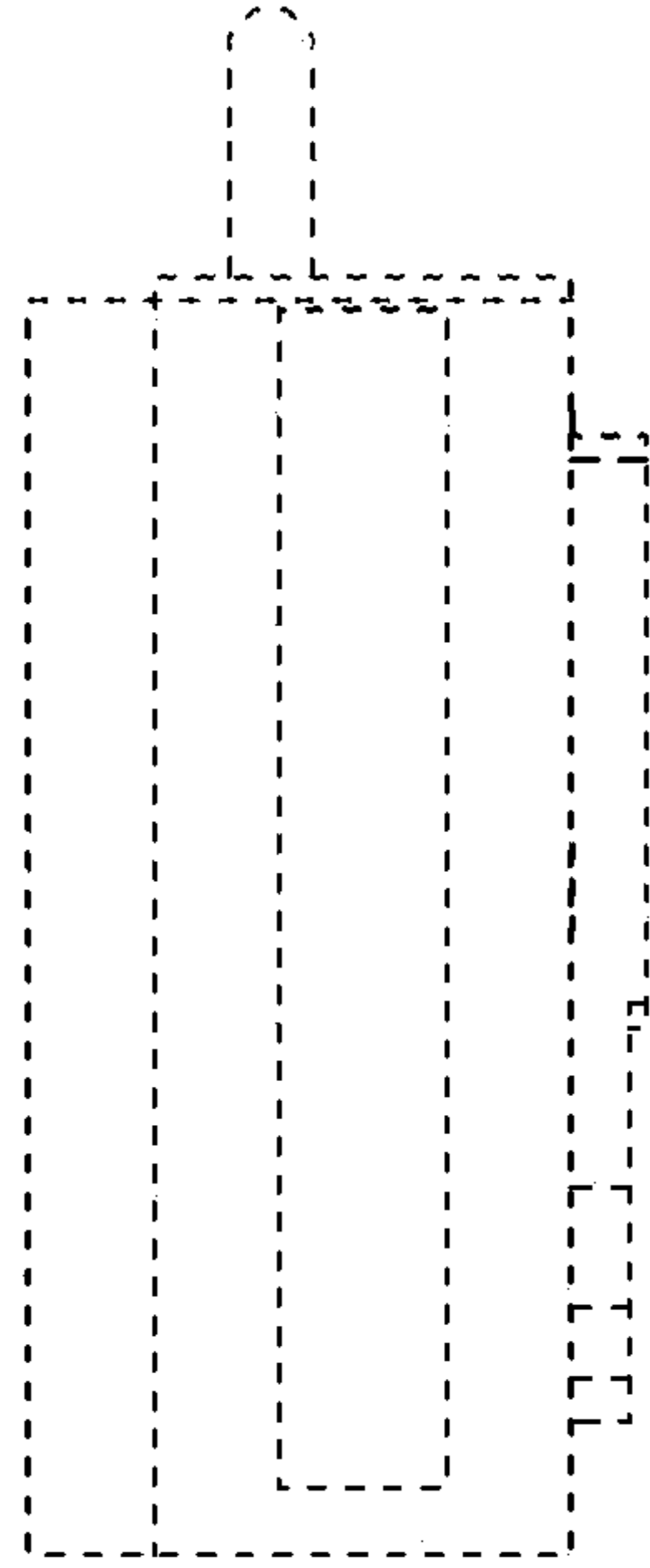


Fig. 9

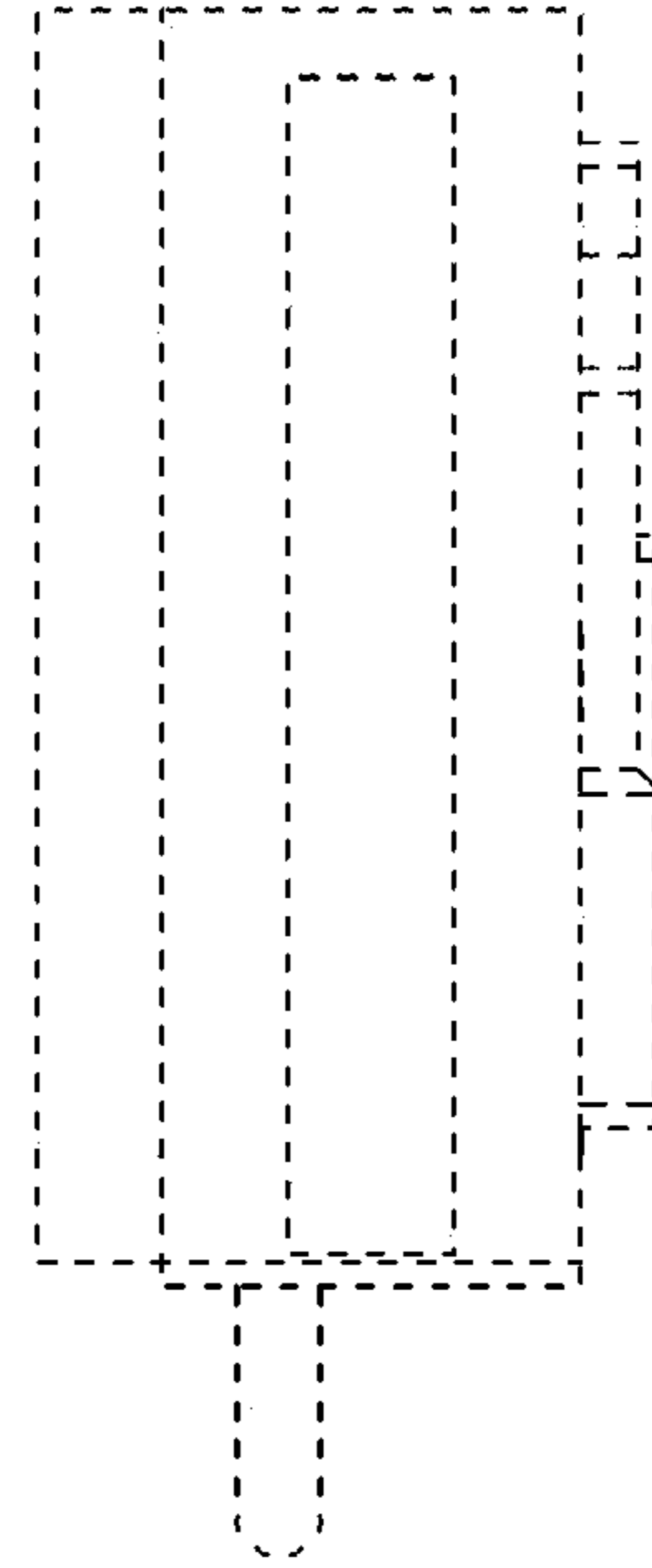


Fig. 10

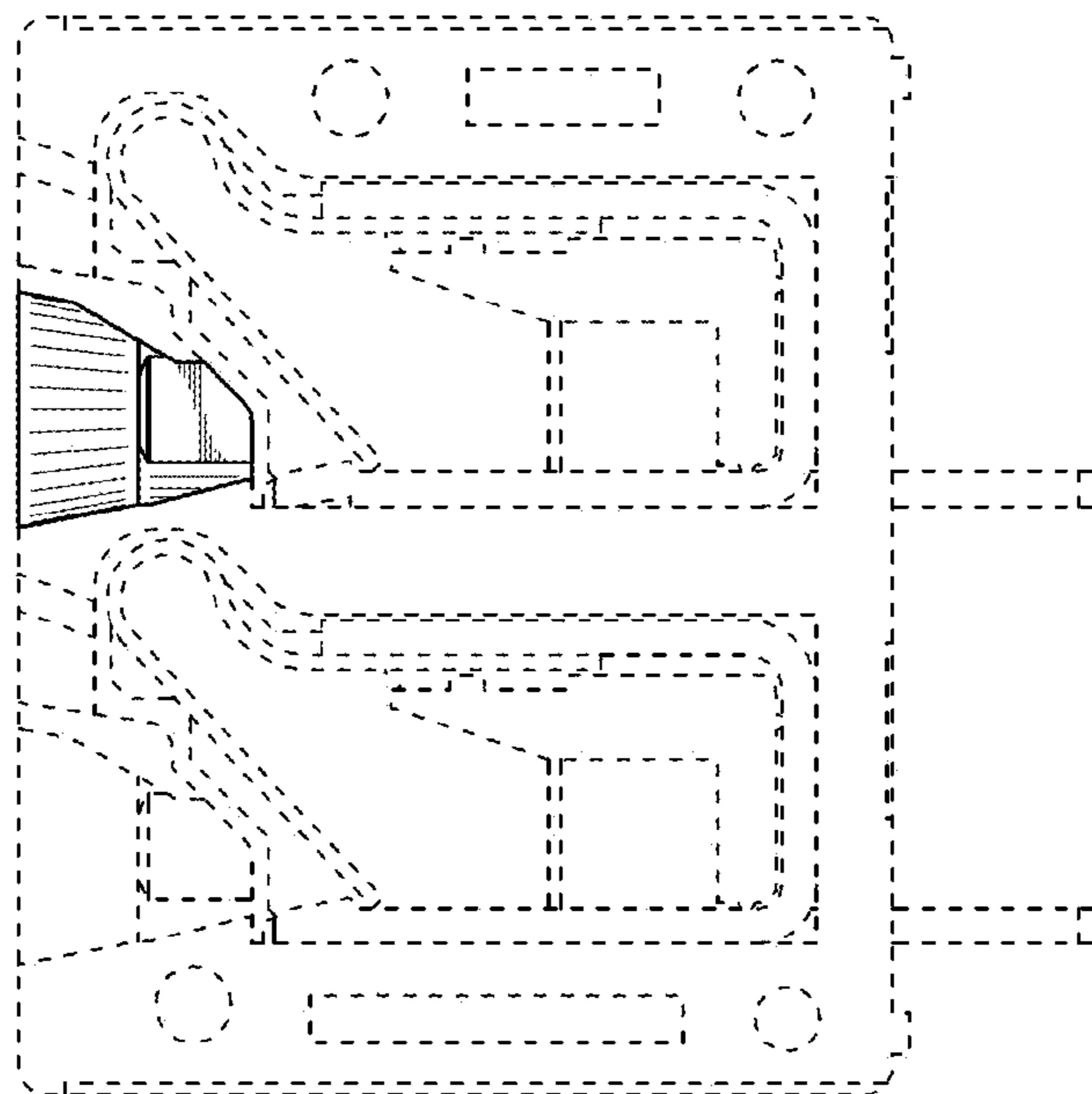


Fig. 11

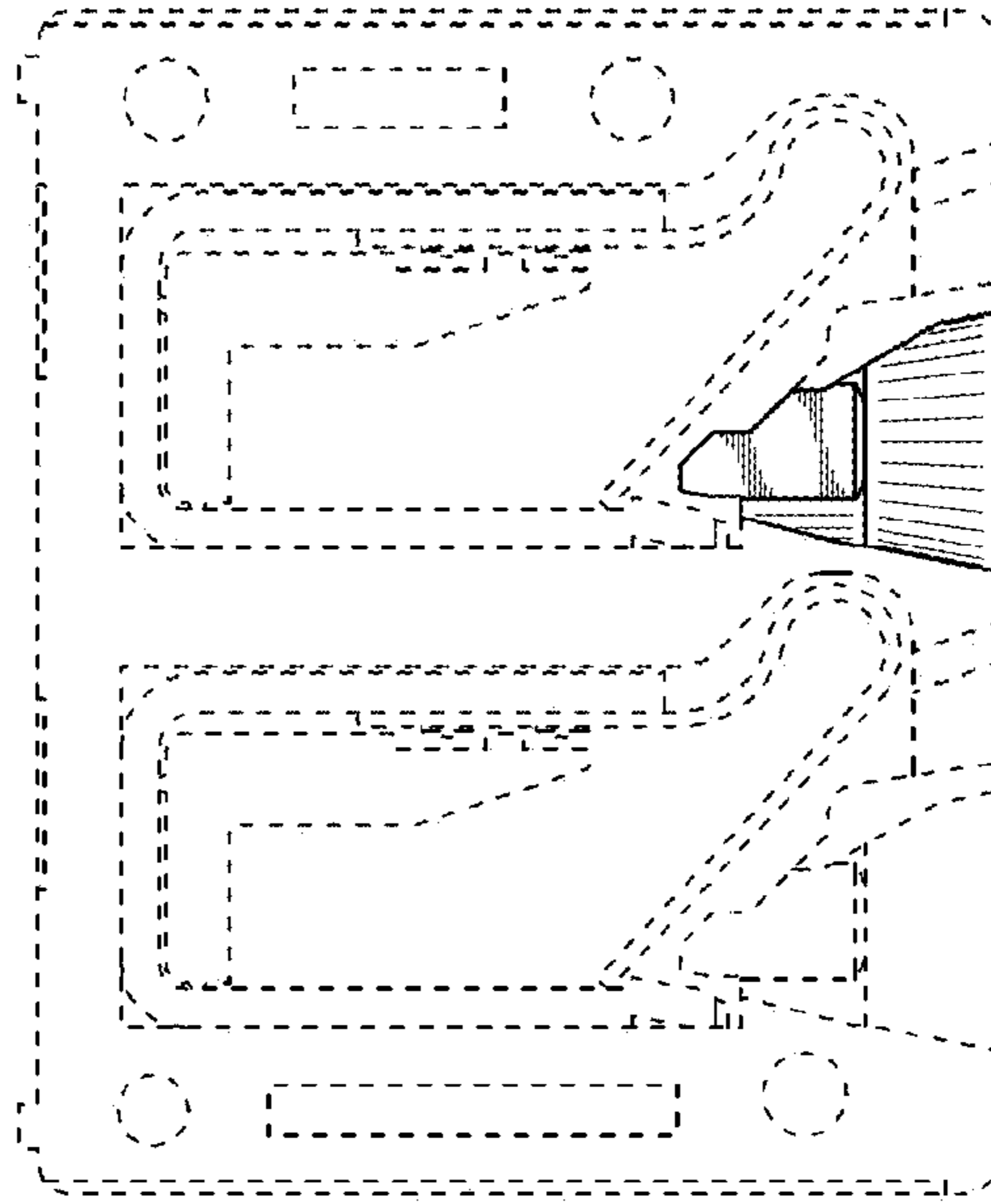


Fig. 12

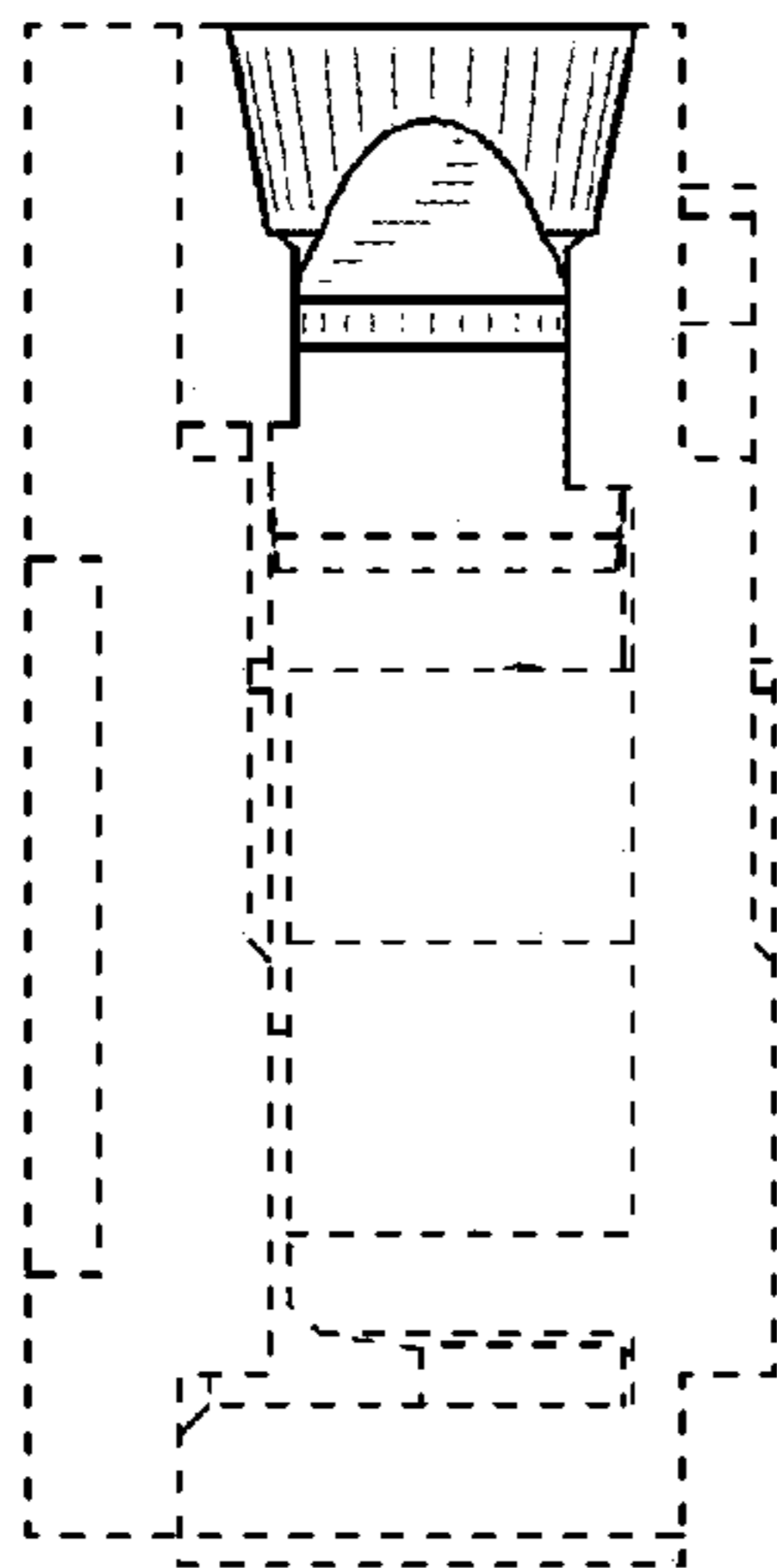


Fig. 13

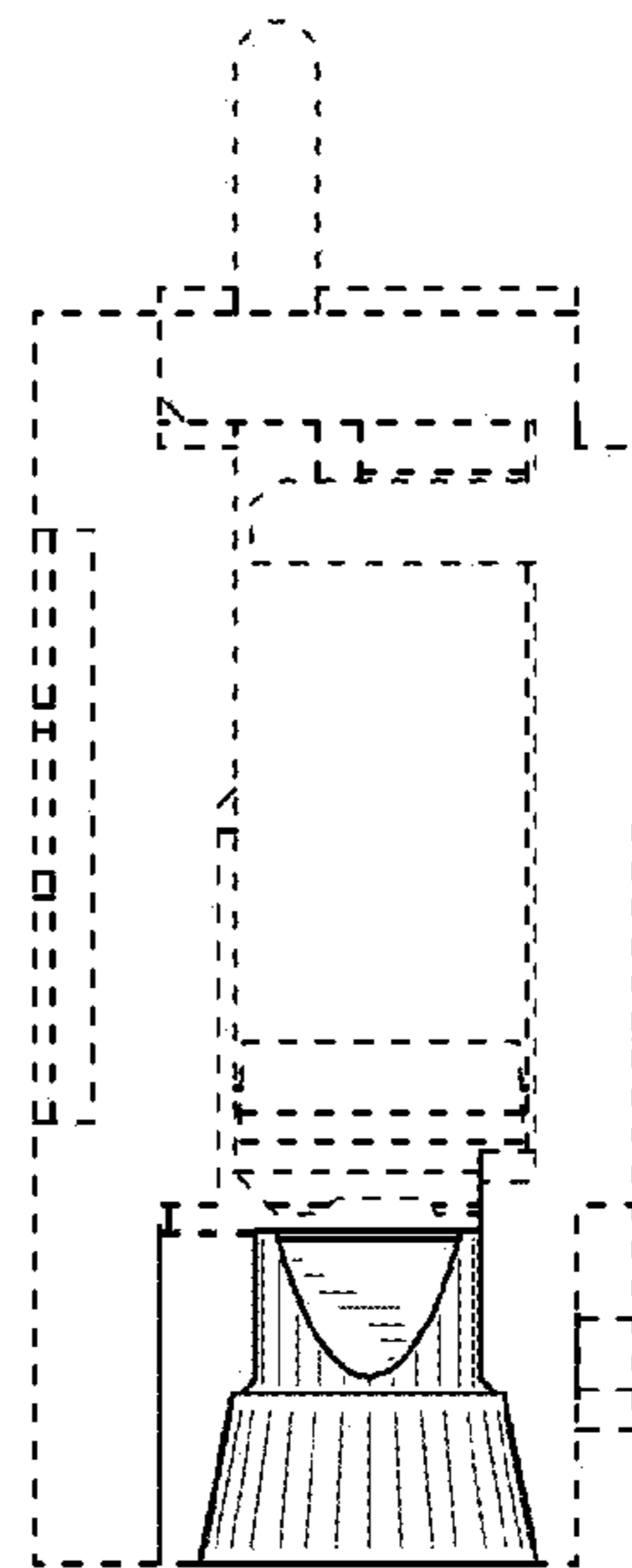


Fig. 14

