

US00D730838S

(12) **United States Design Patent**
Huynh

(10) **Patent No.:** **US D730,838 S**

(45) **Date of Patent:** **** Jun. 2, 2015**

(54) **NDL-8 CONNECTOR SET**

(76) **Inventor:** **Nhan Tich Huynh**, Plano, TX (US)

(**) **Term:** **14 Years**

(21) **Appl. No.:** **29/404,258**

(22) **Filed:** **Nov. 1, 2011**

(51) **LOC (10) Cl.** **13-03**

(52) **U.S. Cl.**
USPC **D13/147**

(58) **Field of Classification Search**
USPC D13/147, 154, 184, 199; 439/108, 278,
439/358, 374, 377, 433, 439, 676, 736, 660,
439/677, 680, 892, 894
See application file for complete search history.

(56) **References Cited**

U.S. PATENT DOCUMENTS

D304,027	S	*	10/1989	Matsuzaki	D13/147
D304,028	S	*	10/1989	Matsuzaki	D13/147
D399,047	S	*	10/1998	Yoshida et al.	D13/147
D420,329	S	*	2/2000	Lin et al.	D13/147
D466,479	S	*	12/2002	Pein et al.	D13/147
D467,548	S	*	12/2002	Zhu et al.	D13/147
6,520,794	B2	*	2/2003	Liao	439/418
D490,778	S	*	6/2004	Inagaki et al.	D13/147

* cited by examiner

Primary Examiner — Daniel Bui

(57) **CLAIM**

The ornamental design for a NDL-8 connector set, as shown and described.

DESCRIPTION

FIG. 1 is a top, front and right side perspective view of the NDL-8 plug of a NDL-8 connector set, showing my new design;

FIG. 2 is a bottom, rear and right side perspective view thereof;

FIG. 3 is a top plan view thereof;

FIG. 4 is a front elevation view thereof;

FIG. 5 is a right side elevation view thereof;

FIG. 6 is a bottom plan view thereof;

FIG. 7 is a front view thereof, in use condition;

FIG. 8 is a left side elevation view thereof, in use condition;

FIG. 9 is another left side elevation view thereof, in use condition;

FIG. 10 is a top, front and left side perspective view of the NDL-8 receptacle of a NDL-8 connector set, showing my new design;

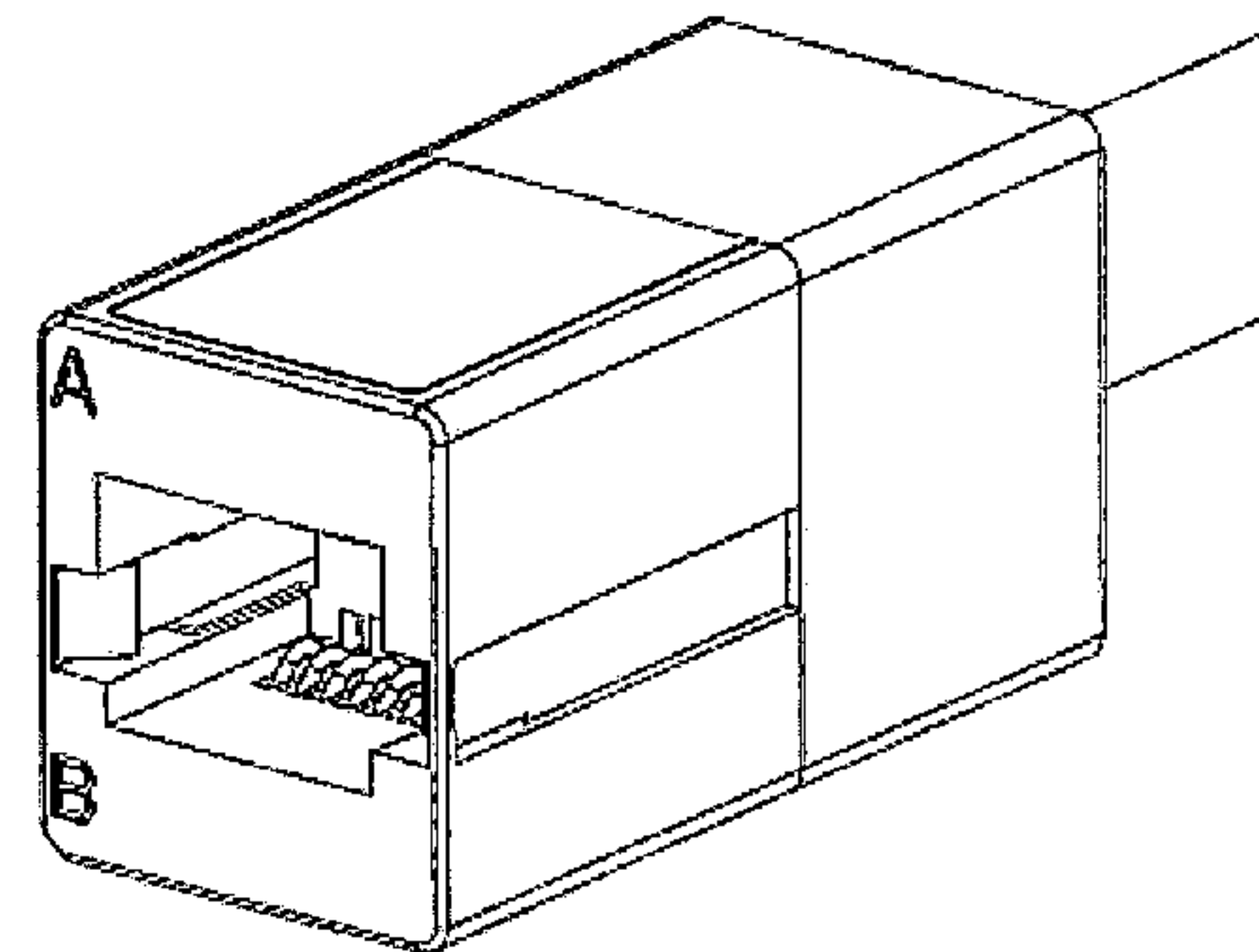
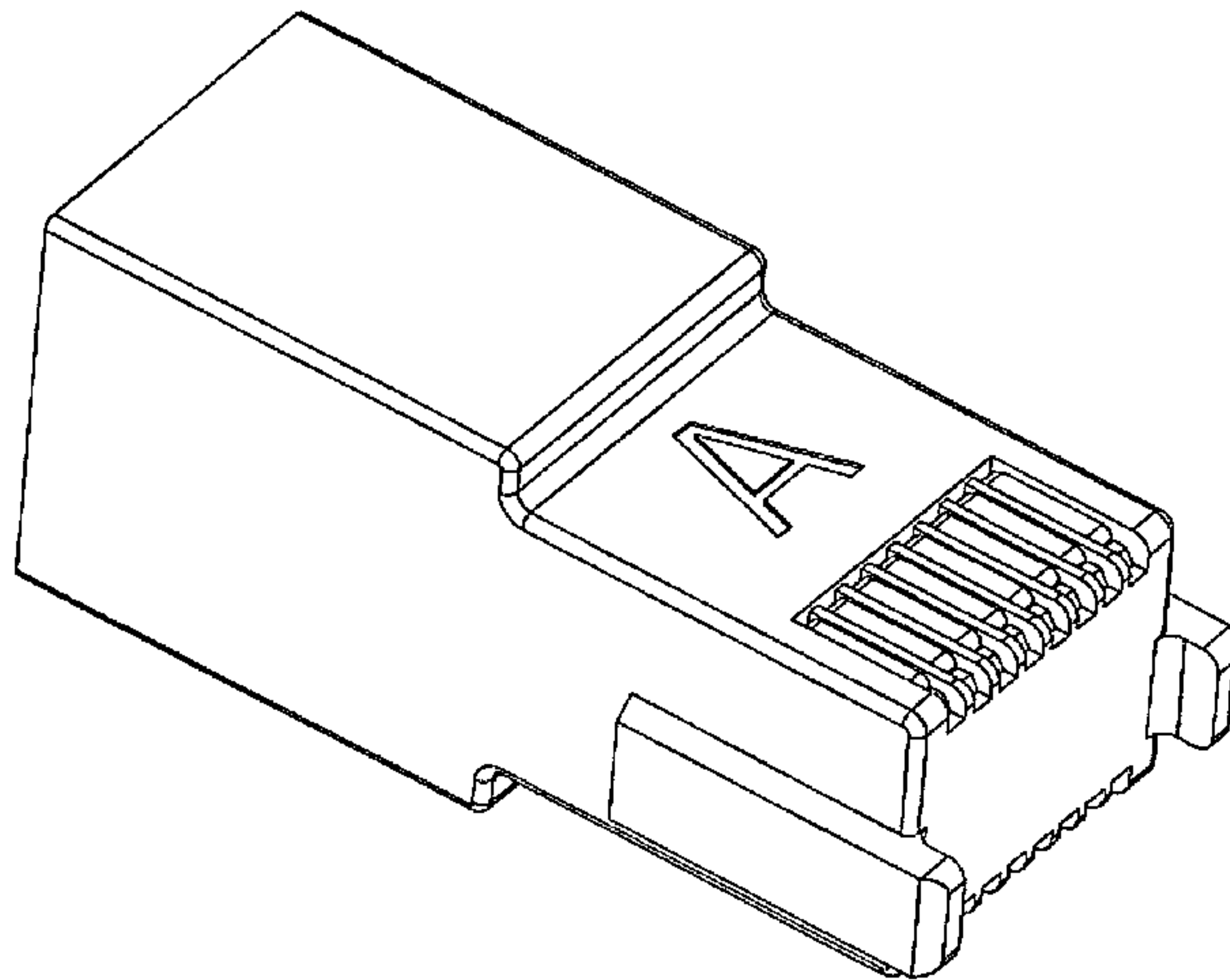
FIG. 11 is a left side elevation view thereof;

FIG. 12 is a top plan view thereof; and,

FIG. 13 is a rear elevation view thereof.

The broken line in the drawing views is for illustration unclaimed environment only and forms no parts of the claimed design.

1 Claim, 4 Drawing Sheets



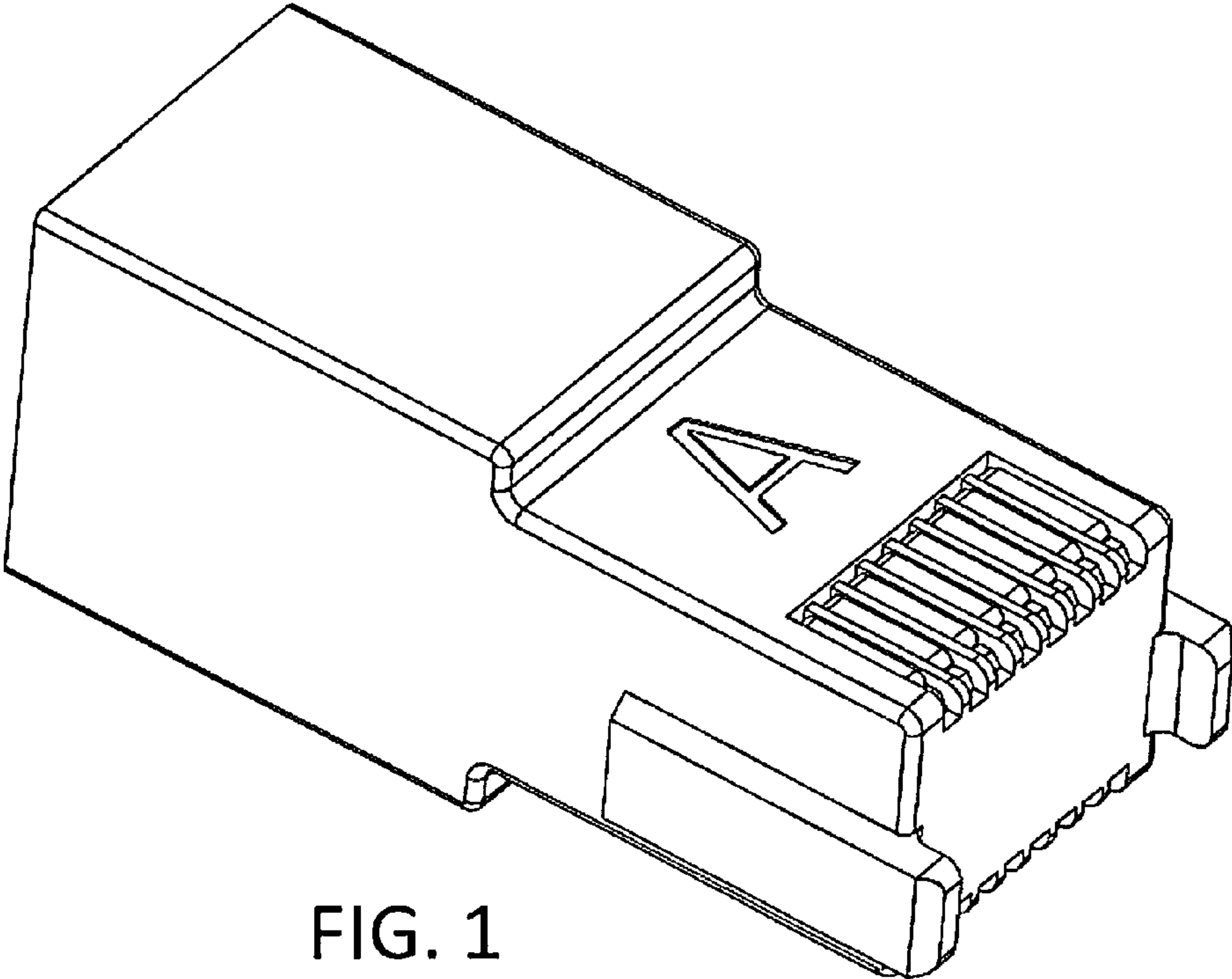


FIG. 1

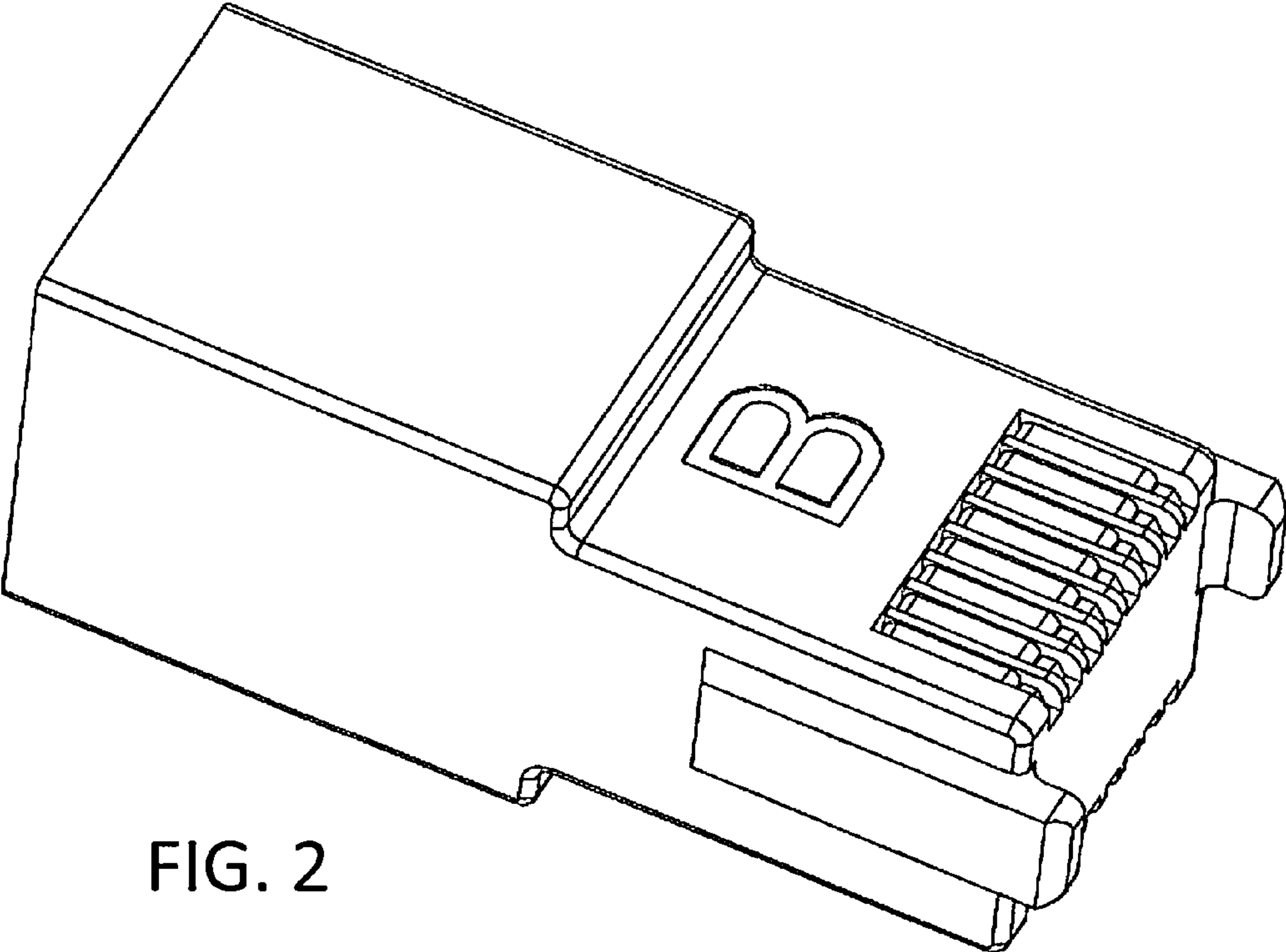


FIG. 2

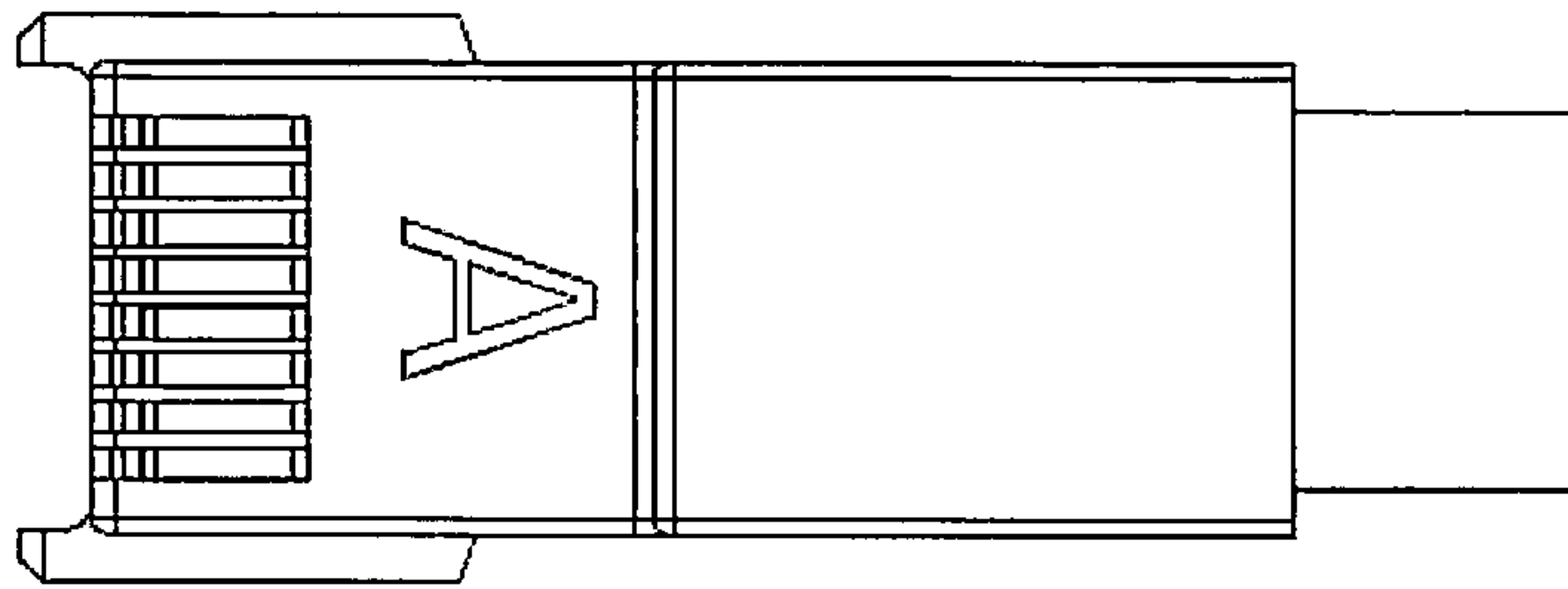


FIG. 3

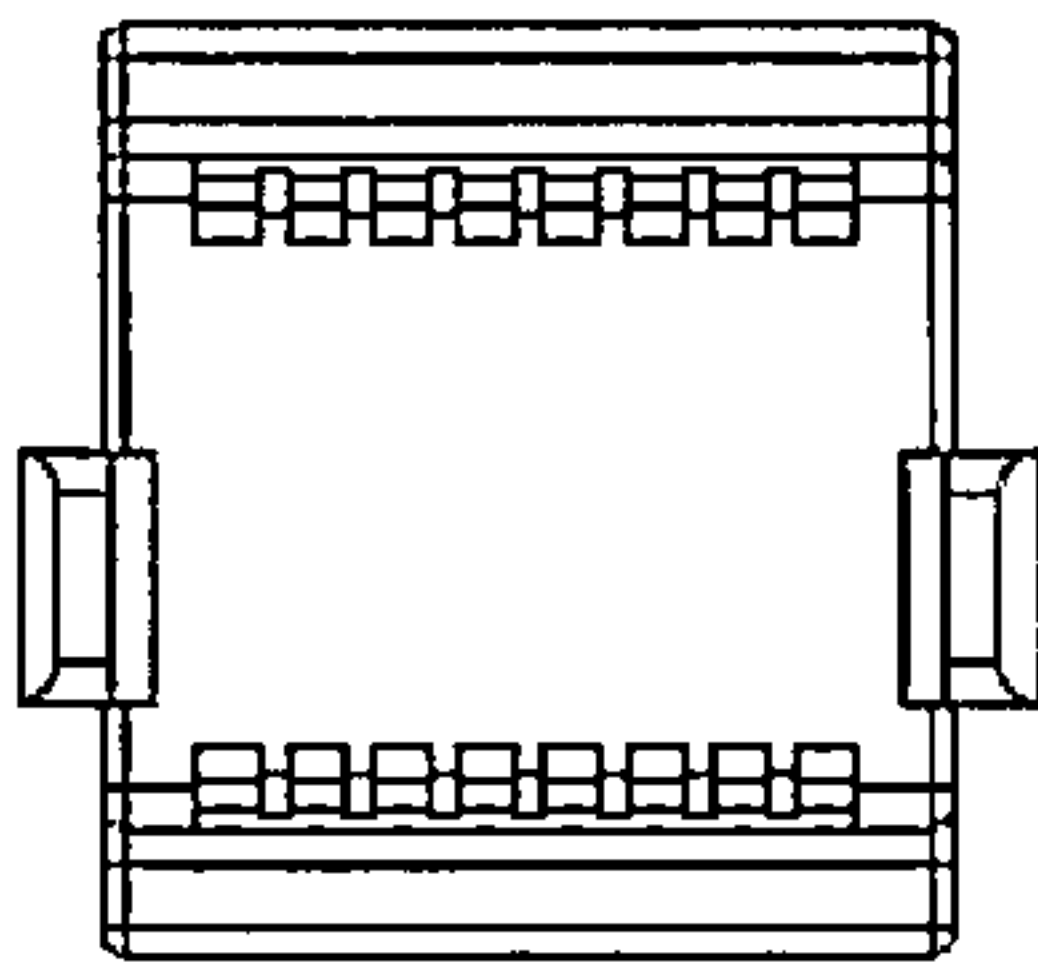


FIG. 5

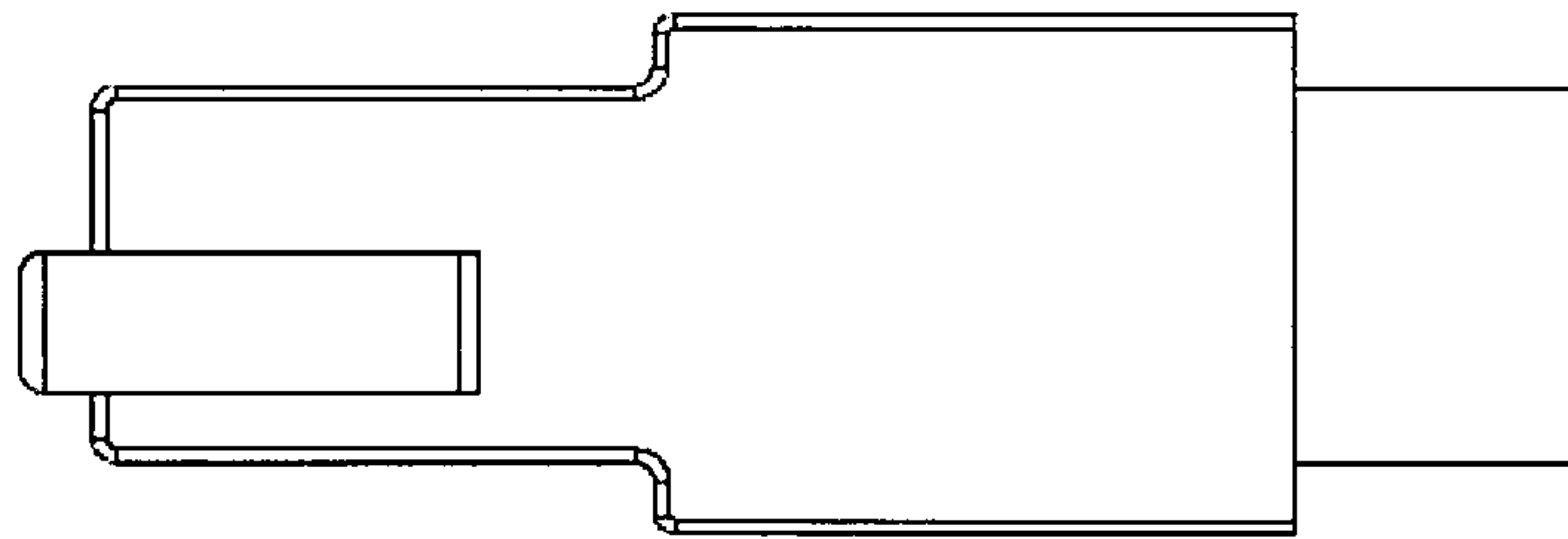


FIG. 4

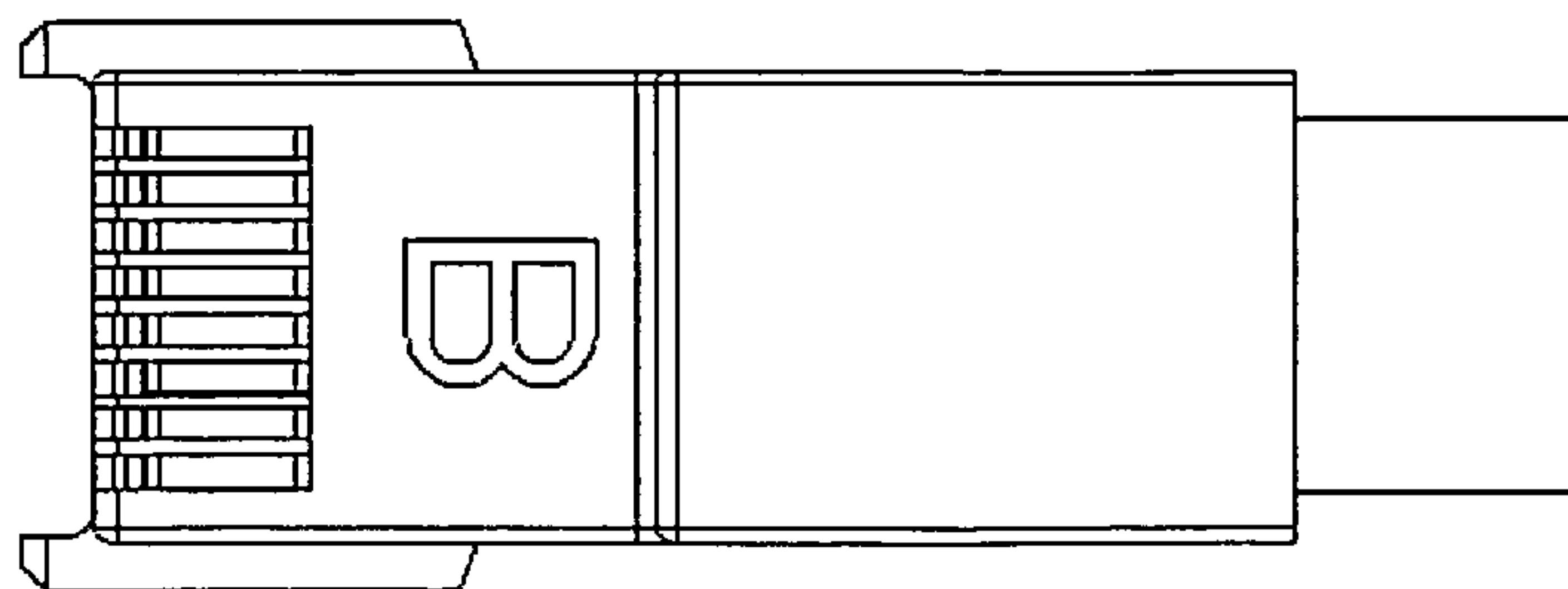


FIG. 6

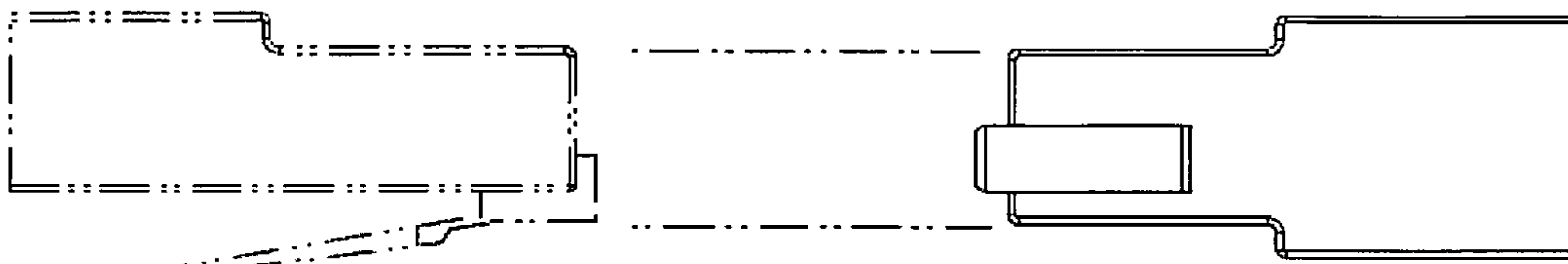


FIG. 7

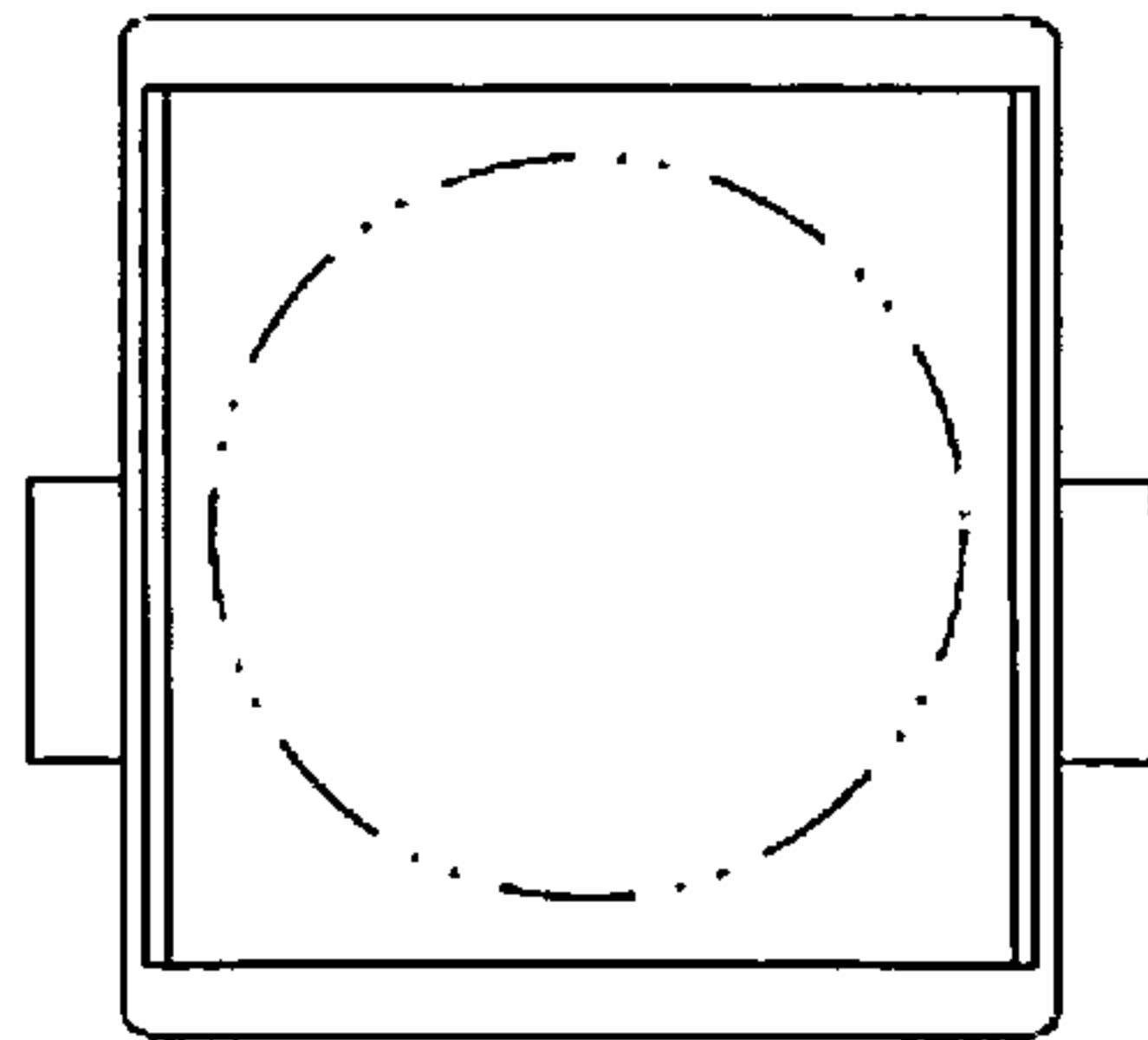


FIG. 8

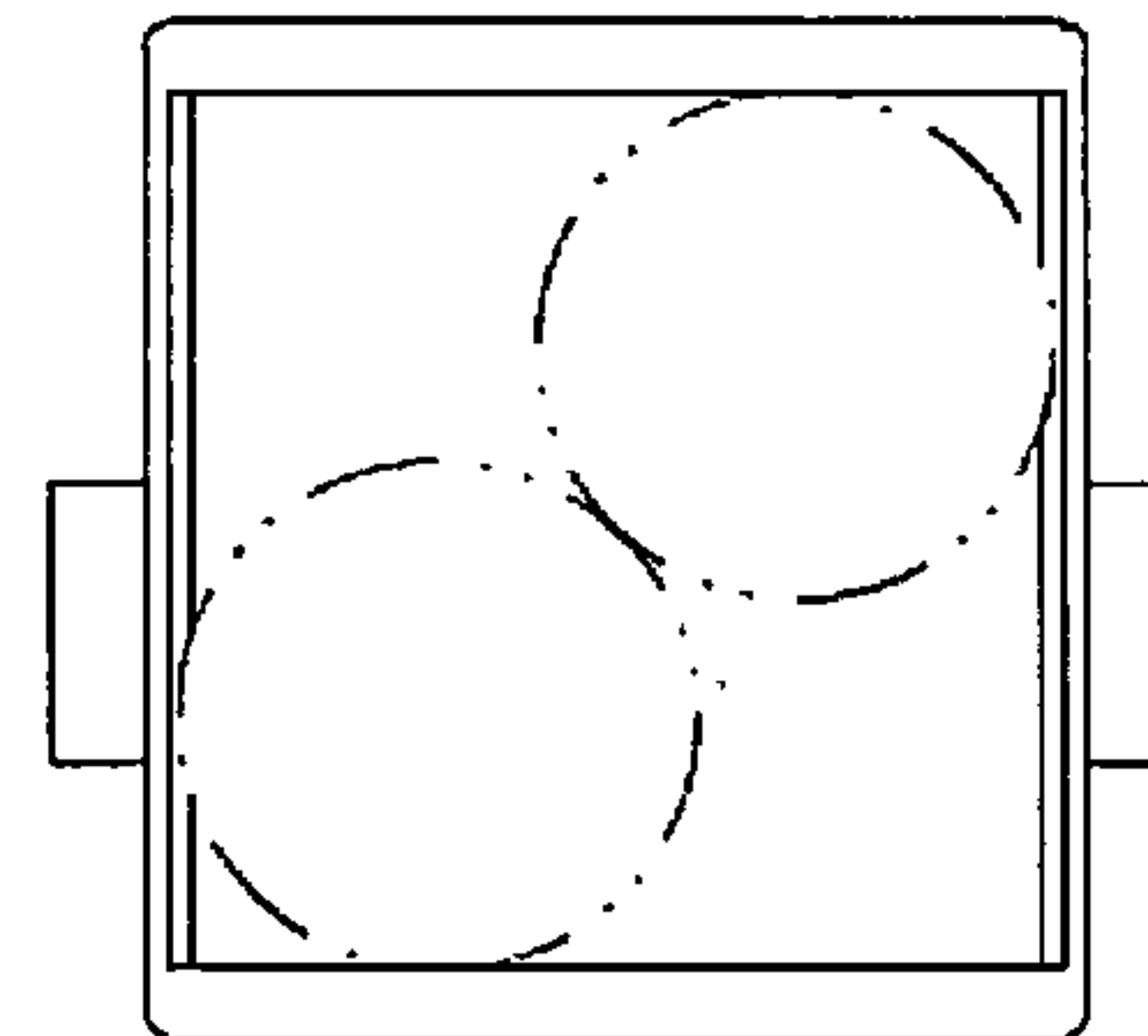


FIG. 9

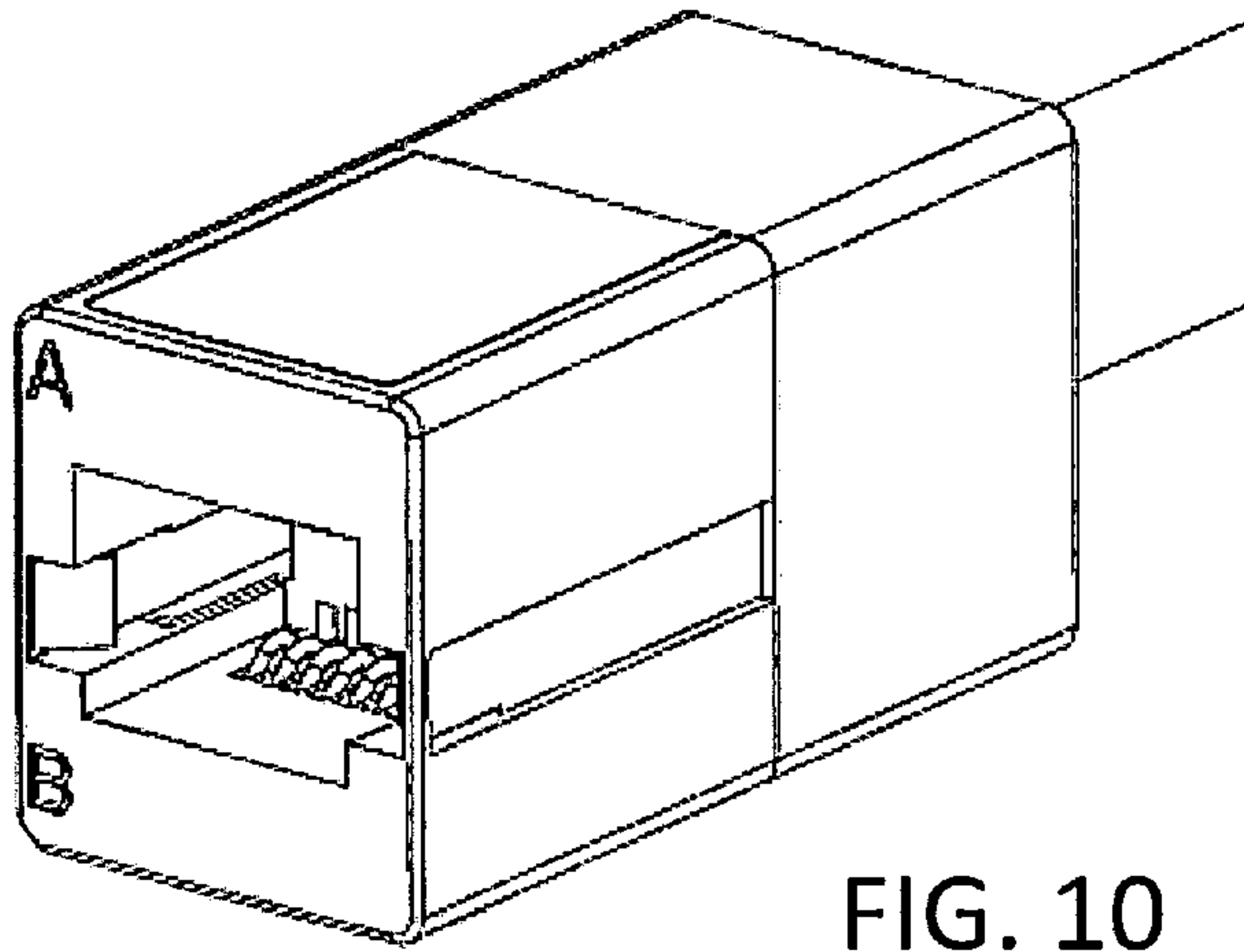


FIG. 10

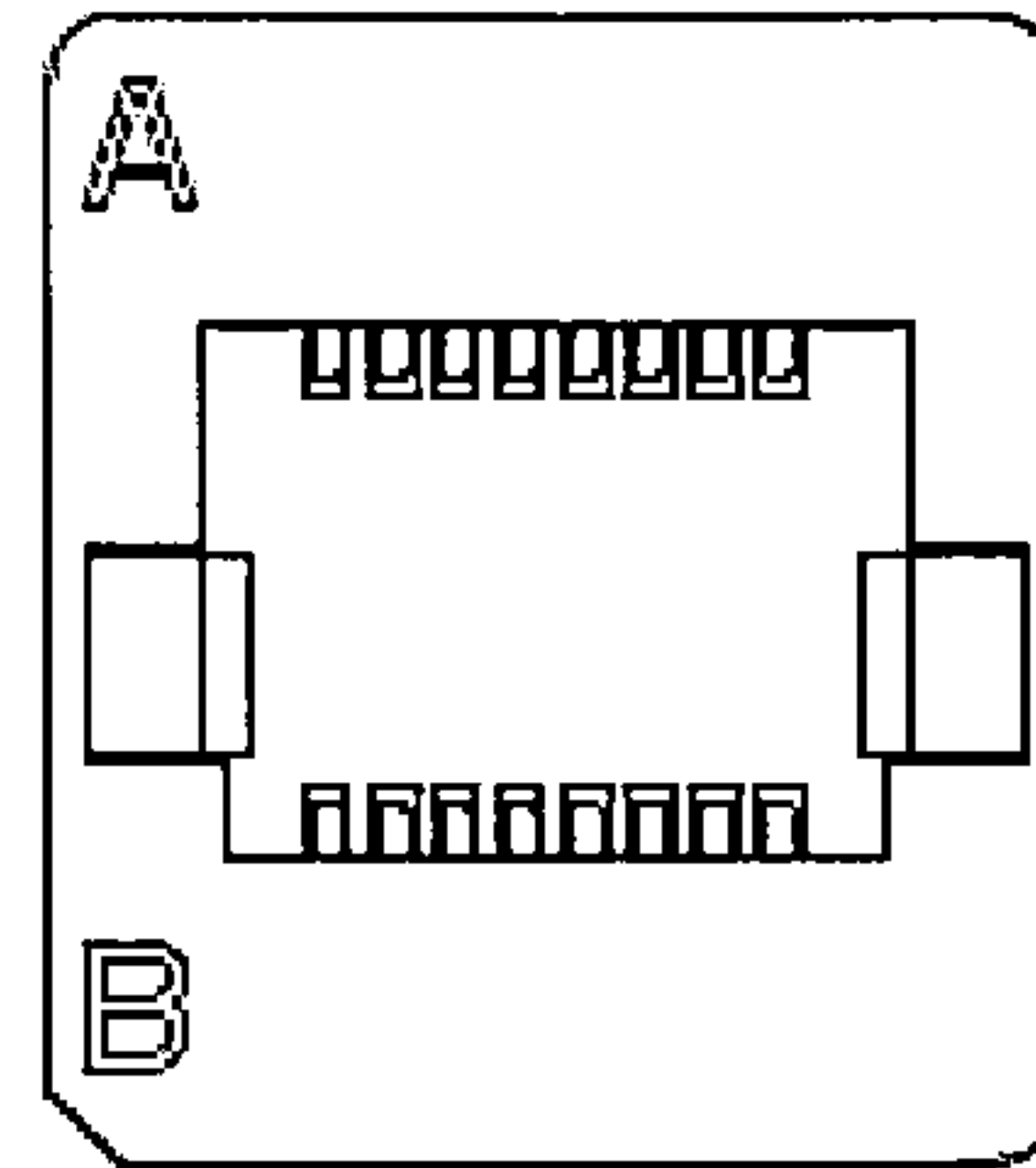


FIG. 11

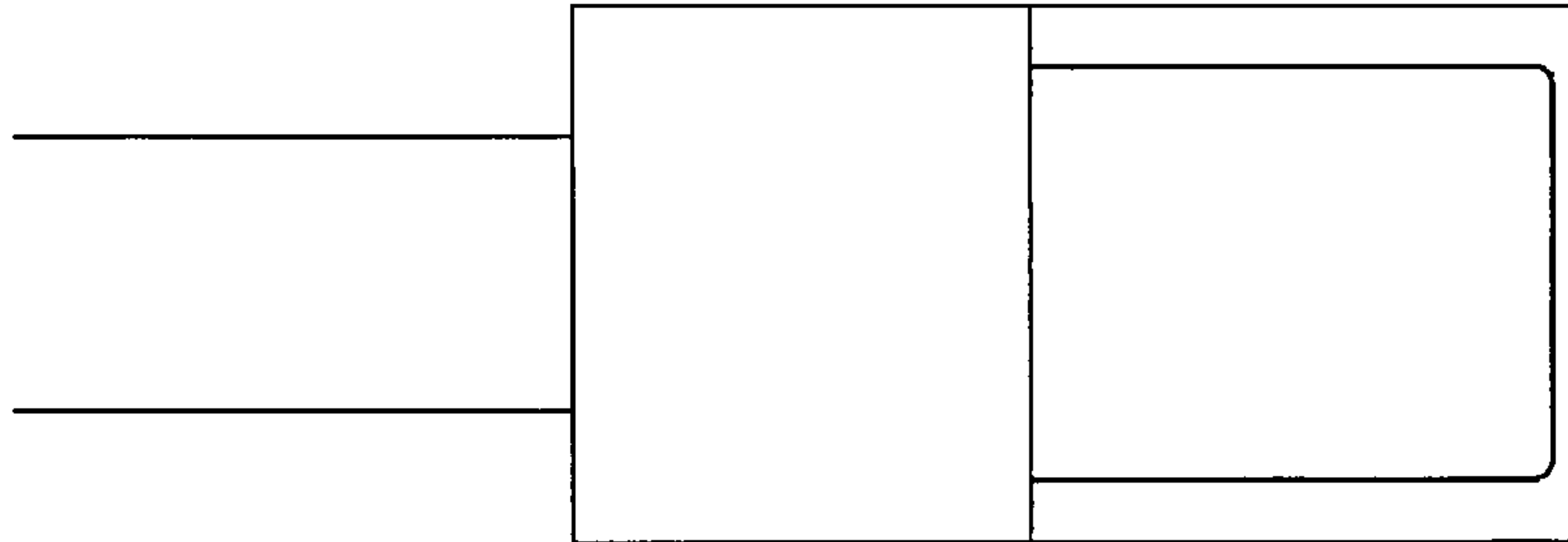


FIG. 12

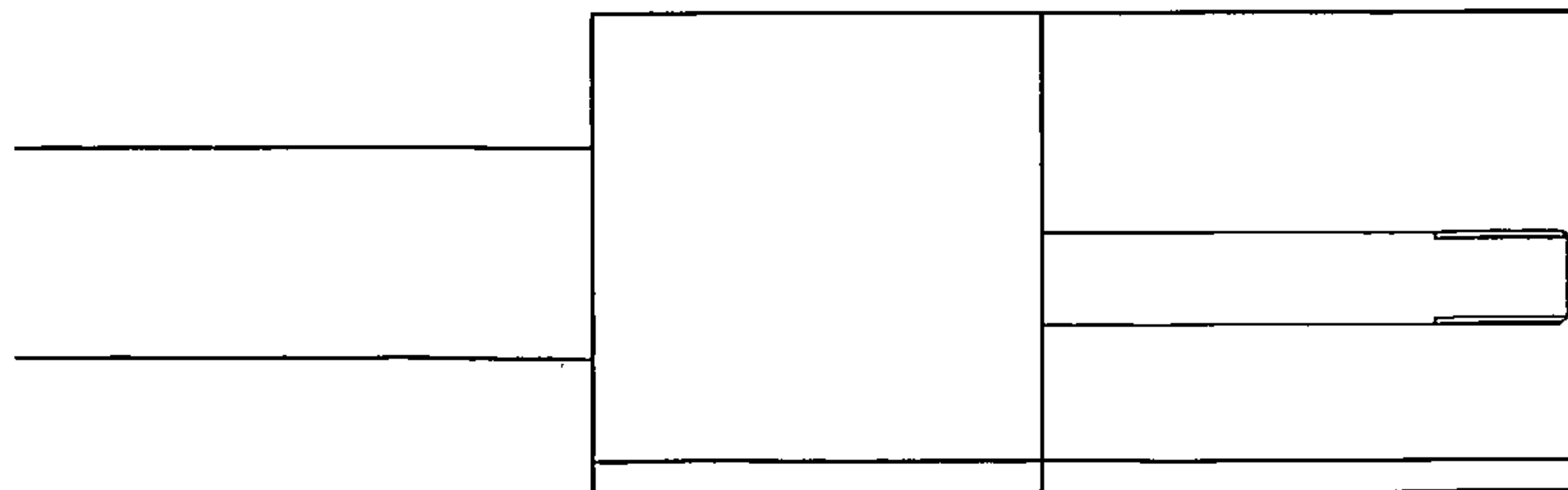


FIG. 13