



US00D730837S

(12) **United States Design Patent**
Nazar

(10) **Patent No.:** **US D730,837 S**
(45) **Date of Patent:** **** Jun. 2, 2015**

- (54) **CHARGER**
- (71) Applicant: **David Nazar**, Los Angeles, CA (US)
- (72) Inventor: **David Nazar**, Los Angeles, CA (US)
- (73) Assignee: **Hypercel Corporation**
- (**) Term: **14 Years**
- (21) Appl. No.: **29/434,128**
- (22) Filed: **Oct. 10, 2012**
- (51) **LOC (10) Cl.** **13-03**
- (52) **U.S. Cl.**
USPC **D13/144**
- (58) **Field of Classification Search**
USPC D13/107, 108, 110, 144; D14/144;
320/107-115
See application file for complete search history.

D569,340 S	5/2008	Goradesky	
D585,375 S *	1/2009	Andre et al.	D13/133
7,500,881 B1 *	3/2009	Lin	439/668
D608,284 S	1/2010	Lin	
D609,644 S	2/2010	Lin	
D614,136 S	4/2010	Chyan	
D615,043 S	5/2010	Tang	
D617,278 S	6/2010	Tang	
D620,441 S	7/2010	Hou	
D621,783 S	8/2010	Riede	
D625,266 S	10/2010	Bau	
D626,507 S	11/2010	Riede	
D628,149 S	11/2010	Wu	
D628,152 S	11/2010	Fujii	
D631,836 S *	2/2011	Kao	D13/108
D633,436 S *	3/2011	Griffin, Jr.	D13/108
D638,791 S	5/2011	Lu	
D641,695 S	7/2011	Wegener	
D644,990 S	9/2011	Tseng	

(Continued)

Primary Examiner — Derrick Holland
Assistant Examiner — Jennifer O King
(74) *Attorney, Agent, or Firm* — Belles Katz LLC

(56) **References Cited**
U.S. PATENT DOCUMENTS

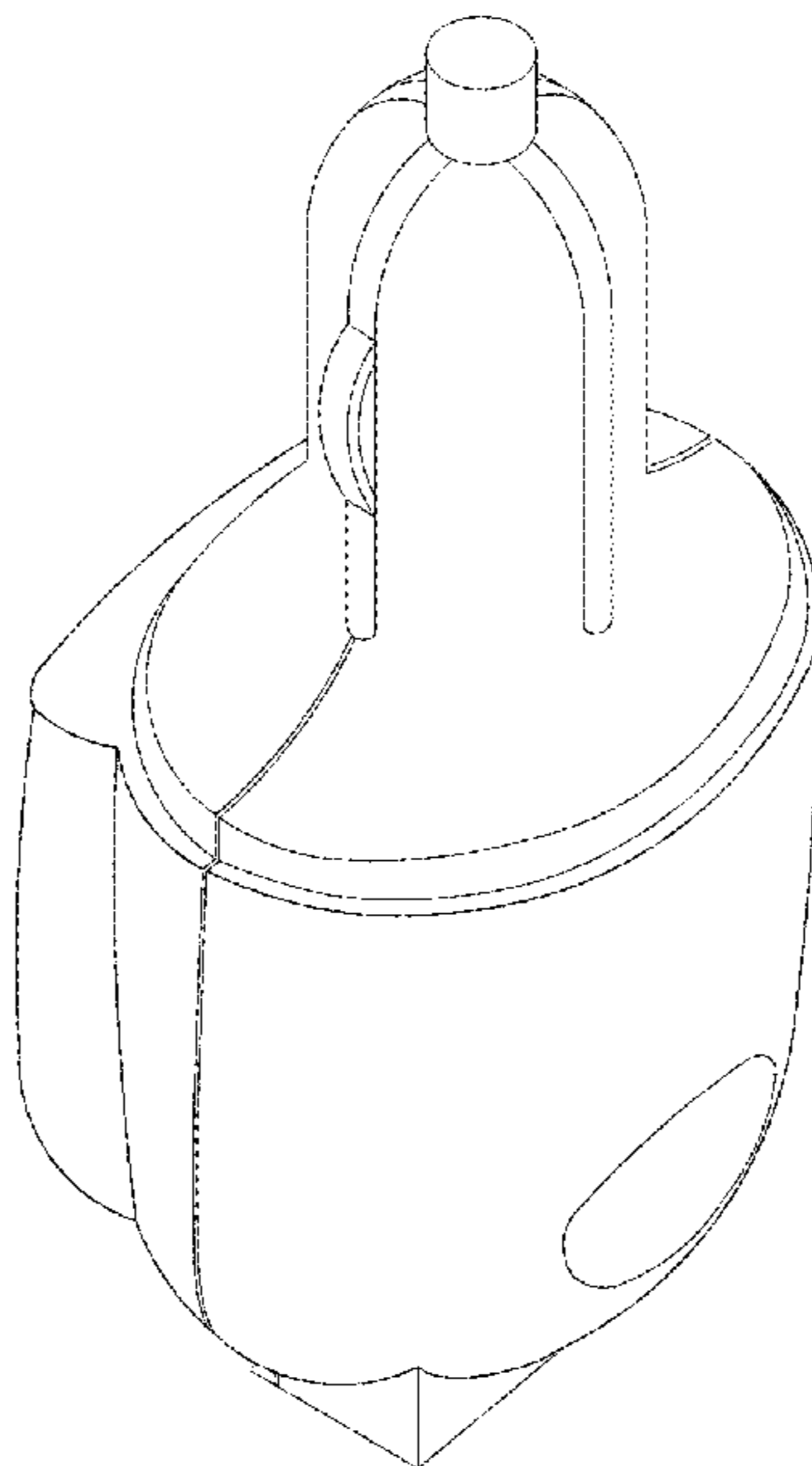
D315,543 S *	3/1991	Soren et al.	D13/144
D349,096 S *	7/1994	Hyvonen	D13/107
5,431,585 A *	7/1995	Fan	439/668
D398,287 S *	9/1998	Luminosu	D13/144
5,844,472 A *	12/1998	Lee	340/438
D409,568 S	5/1999	Lindahl	
D409,979 S *	5/1999	Lee	D13/144
D411,175 S *	6/1999	Doren et al.	D13/154
6,394,851 B1 *	5/2002	Paciorek	439/668
D469,400 S *	1/2003	Shor et al.	D13/107
D481,355 S	10/2003	Lee	
6,767,256 B1 *	7/2004	Faerber et al.	439/668
D506,455 S *	6/2005	Bey et al.	D14/155
D507,527 S *	7/2005	Huang	D13/110
D545,761 S	7/2007	Goradesky	
D554,585 S	11/2007	Nazar	
D563,873 S	3/2008	Chen	

(57) **CLAIM**
I claim the ornamental design for a charger, as shown and described.

DESCRIPTION

FIG. 1 is a front perspective view of a charger according to the present invention;
FIG. 2 is a rear perspective view of the charger of FIG. 1;
FIG. 3 is a front view of the charger of FIG. 1;
FIG. 4 is a rear view of the charger of FIG. 1;
FIG. 5 is a right-side view of the charger of FIG. 1;
FIG. 6 is a left-side view of the charger of FIG. 1;
FIG. 7 is a top view of the charger of FIG. 1; and,
FIG. 8 is a bottom view of the charger of FIG. 1.

1 Claim, 8 Drawing Sheets



(56)

References Cited

U.S. PATENT DOCUMENTS

D653,619 S 2/2012 Tien
D656,898 S 4/2012 Webb
D656,899 S 4/2012 Webb
D671,497 S 11/2012 Smith
D672,313 S 12/2012 Smith
D675,988 S 2/2013 Levy

D676,381 S 2/2013 McSweyn
D677,631 S 3/2013 McSweyn
D678,206 S 3/2013 McSweyn
D678,207 S 3/2013 McSweyn
D678,208 S 3/2013 McSweyn
D684,930 S 6/2013 Wang
2002/0119708 A1* 8/2002 Eisenbraun 439/668
2005/0104557 A1* 5/2005 Chang 320/111

* cited by examiner

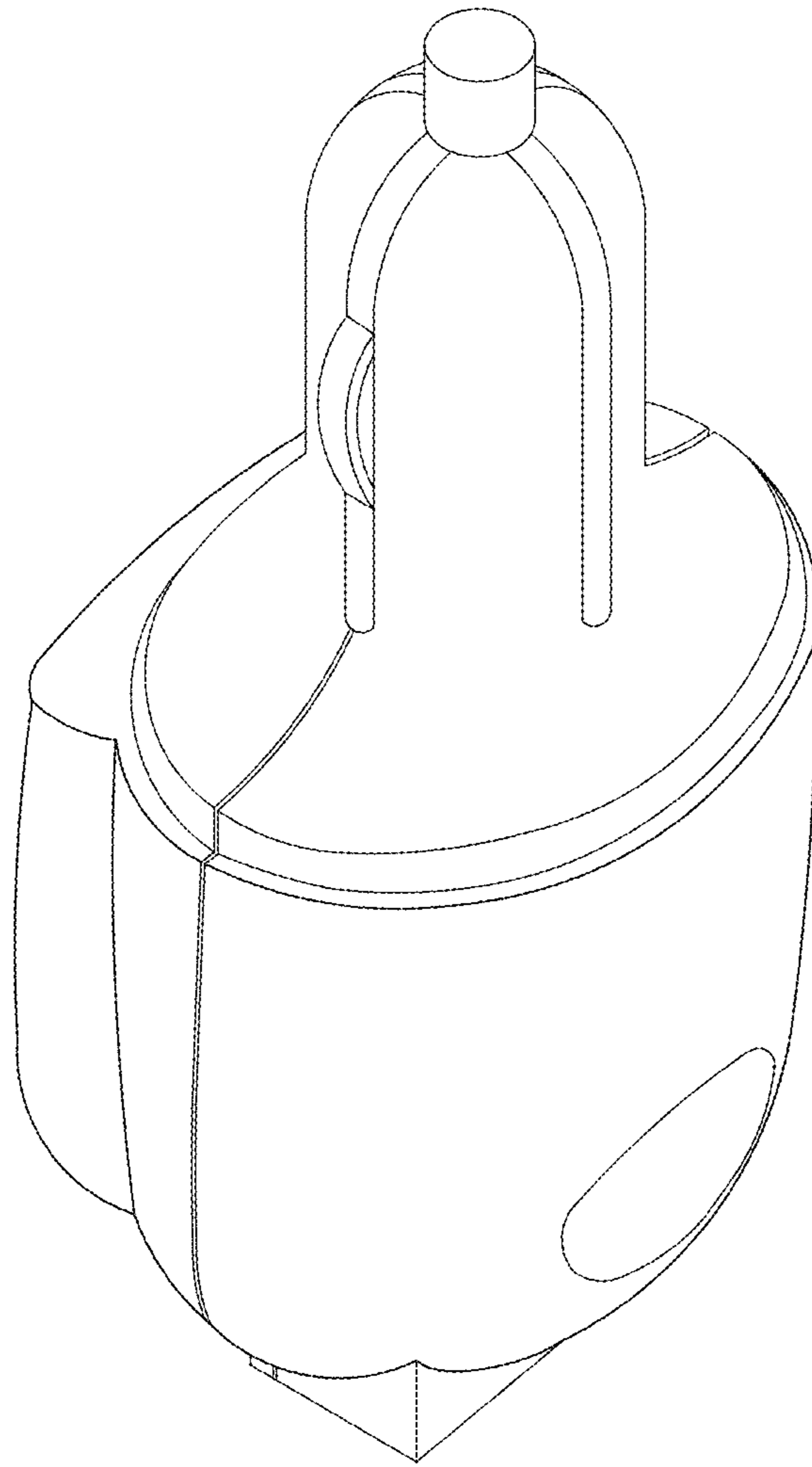


FIGURE 1

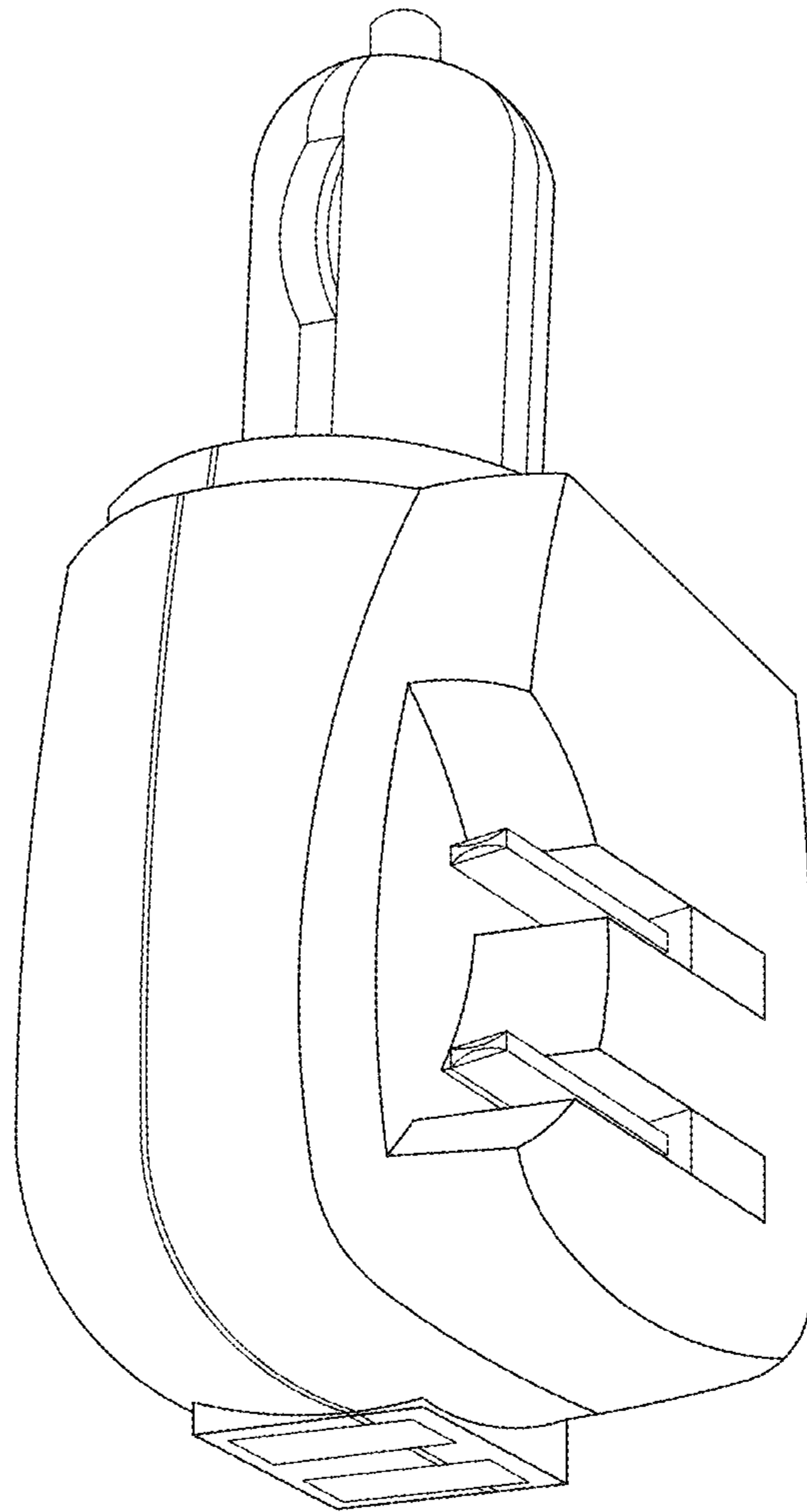


FIGURE 2

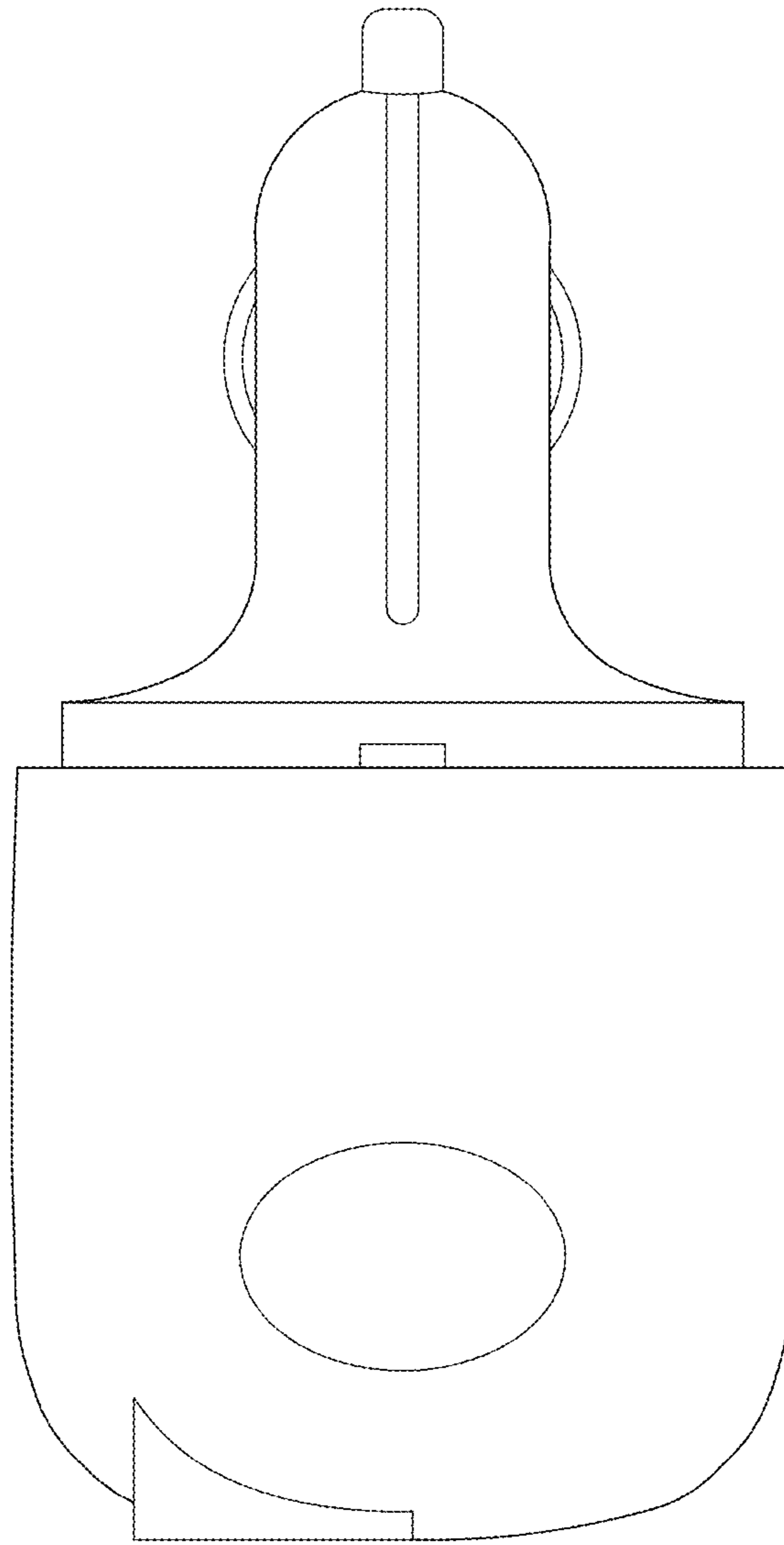


FIGURE 3

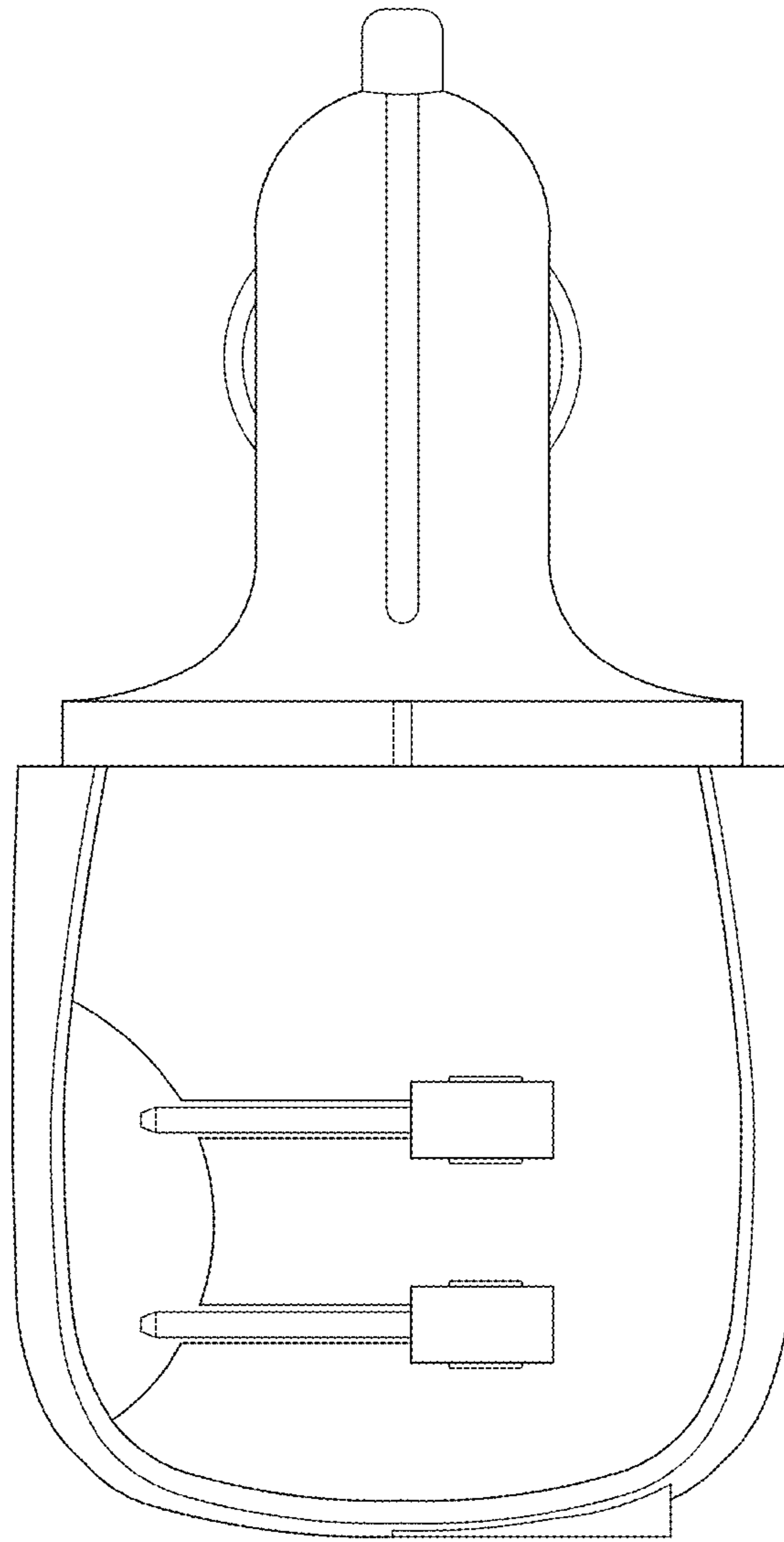


FIGURE 4

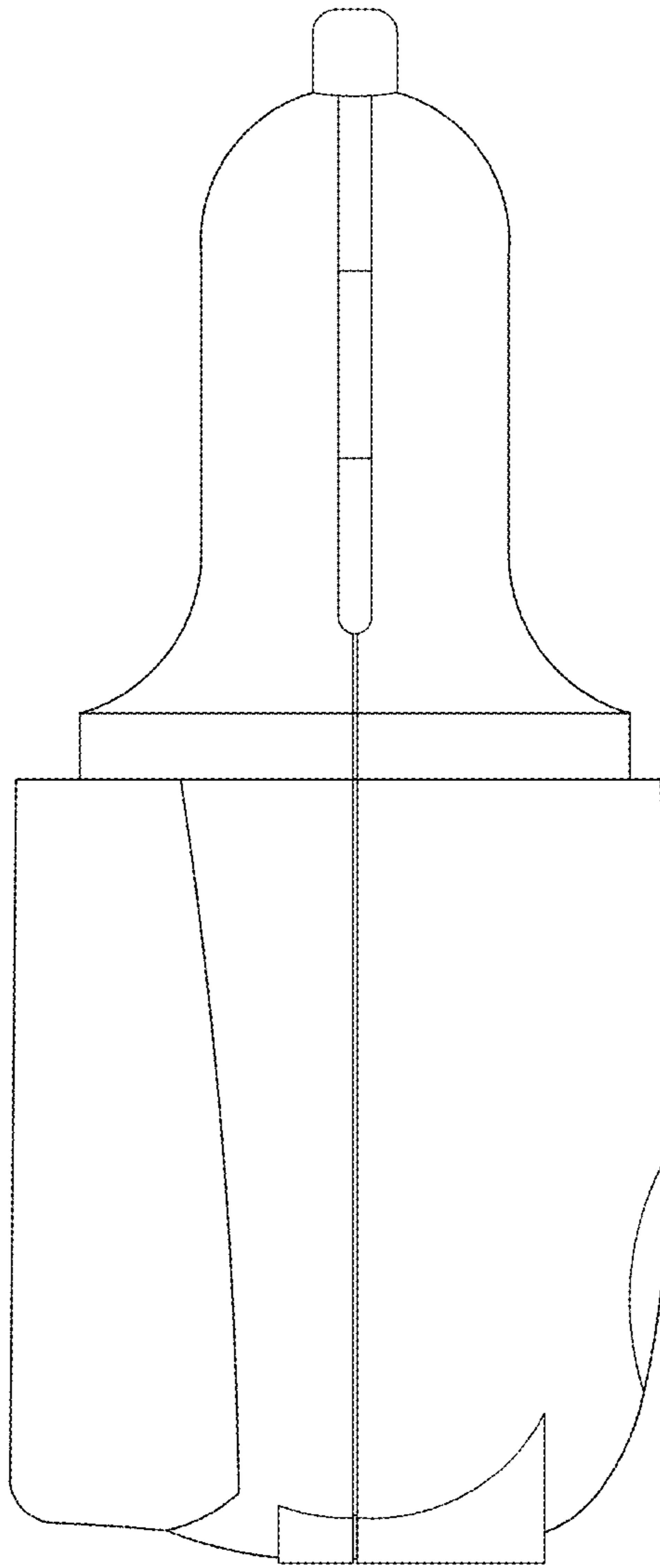


FIGURE 5

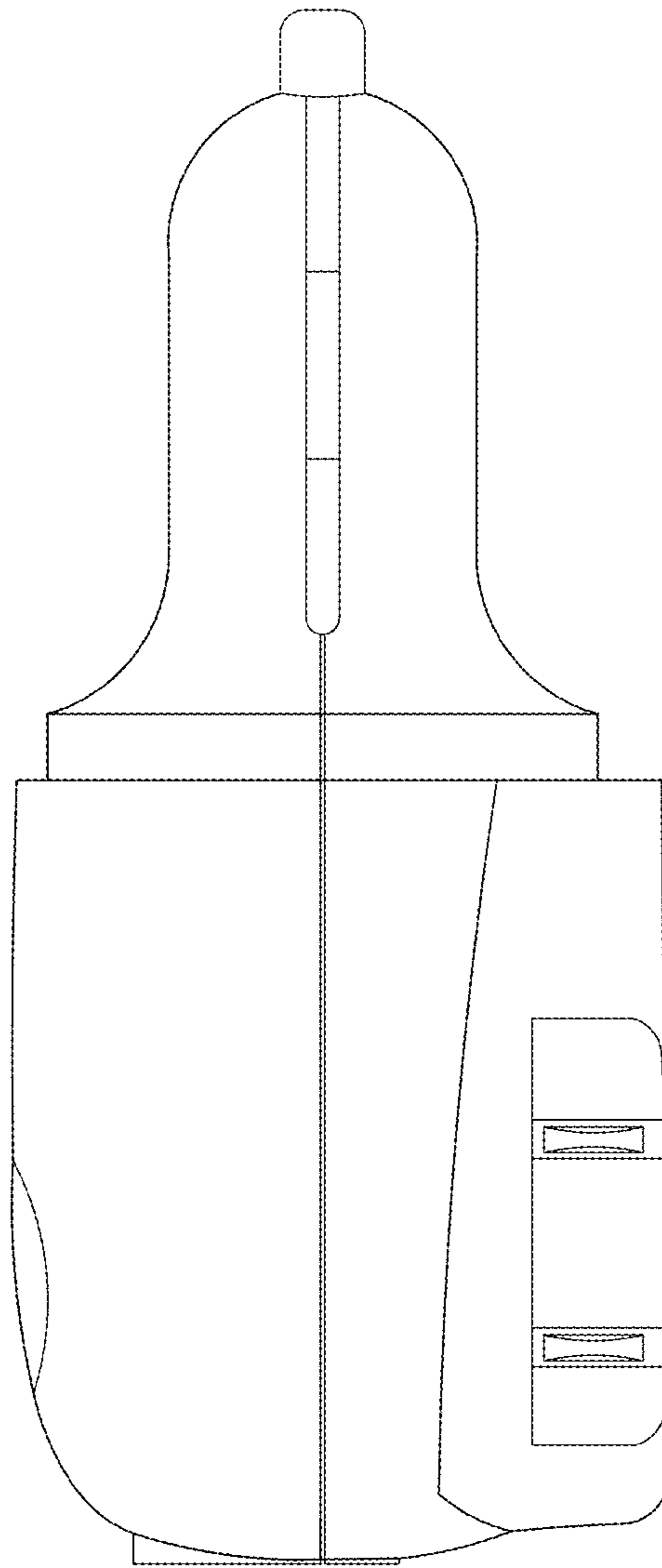


FIGURE 6

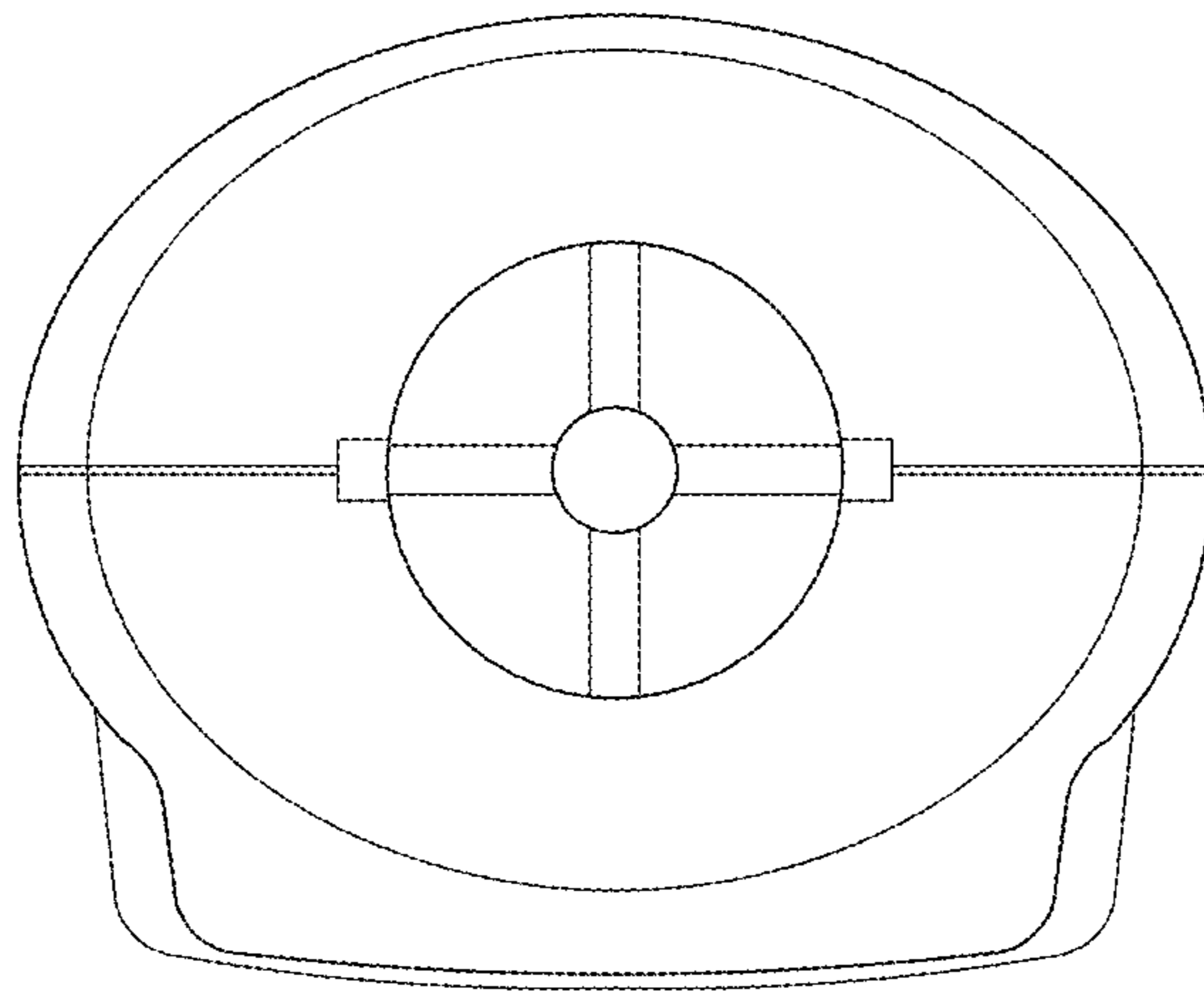


FIGURE 7

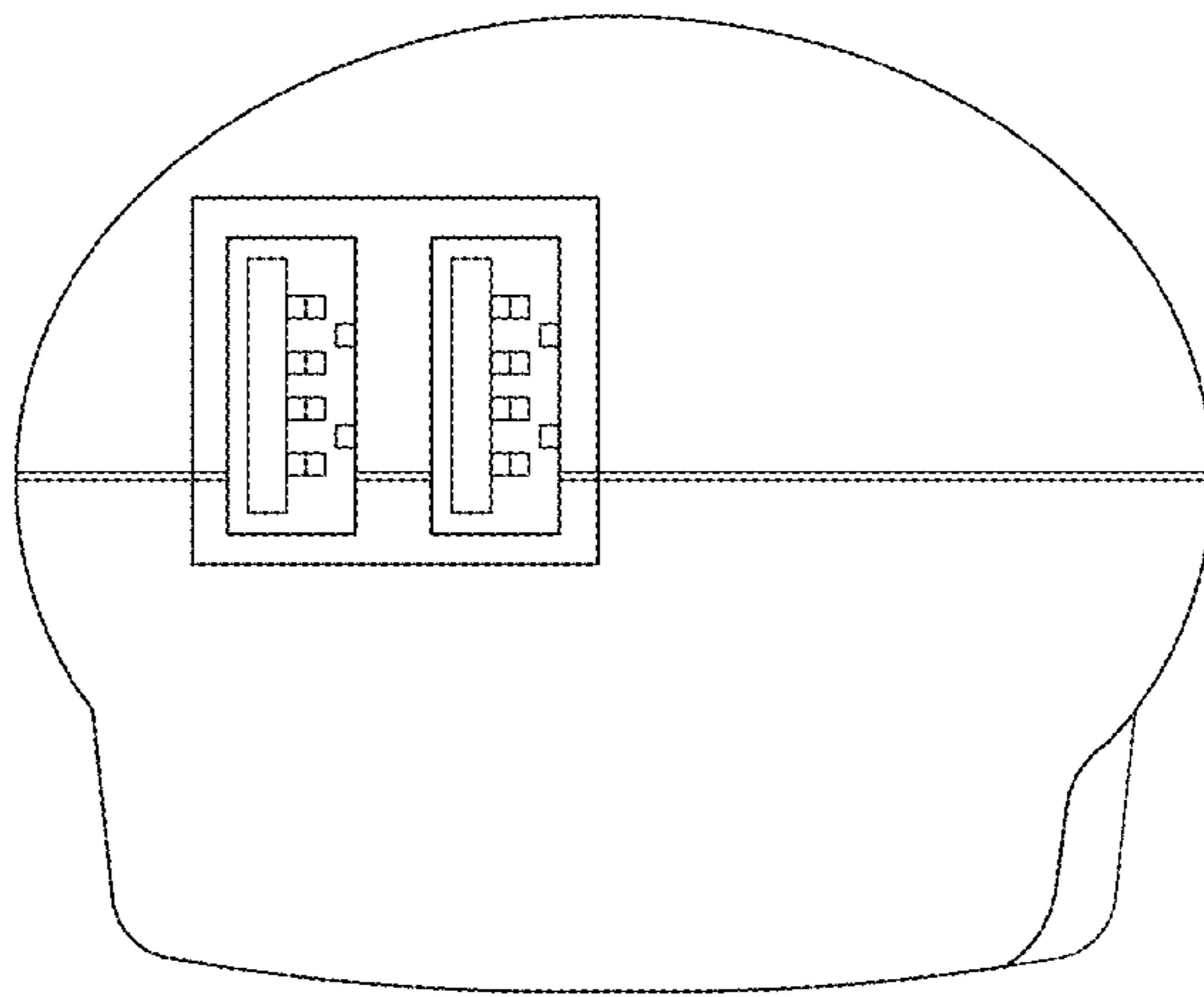


FIGURE 8