



US00D730835S

(12) **United States Design Patent**
Murphy et al.

(10) **Patent No.:** **US D730,835 S**
(45) **Date of Patent:** **** Jun. 2, 2015**

(54) **UNIVERSAL SERIAL BUS (USB)
ELECTRICAL WIRING DEVICE**

(71) Applicant: **Pass & Seymour, Inc.**, Syracuse, NY
(US)

(72) Inventors: **Patrick J. Murphy**, Marcellus, NY
(US); **Thomas F. Roy**, Camillus, NY
(US)

(73) Assignee: **Pass & Seymour, Inc.**, Syracuse, NY
(US)

(**) Term: **14 Years**

(21) Appl. No.: **29/507,093**

(22) Filed: **Oct. 23, 2014**

Related U.S. Application Data

(62) Division of application No. 29/427,806, filed on Jul.
23, 2012.

(51) **LOC (10) Cl.** **09-03**

(52) **U.S. Cl.**
USPC **D13/139.1**

(58) **Field of Classification Search**
USPC D13/139.1, 139.3, 156, 152, 137.1,
D13/138.1, 138.2, 139.4; 335/18;
297/452.18; D8/353; 29/593;
D10/114.1; 174/66, 37-38

See application file for complete search history.

(56) **References Cited**

U.S. PATENT DOCUMENTS

D269,969	S *	8/1983	Doyle et al.	D13/139.3
5,510,760	A *	4/1996	Marcou et al.	335/18
5,594,398	A *	1/1997	Marcou et al.	335/18
5,636,901	A *	6/1997	Grilliot et al.	297/452.18
5,954,523	A	9/1999	Babcock	
6,050,849	A	4/2000	Chang	
6,056,578	A	5/2000	Lin	
D427,887	S *	7/2000	Leopold et al.	D8/353

(Continued)

OTHER PUBLICATIONS

[http://www.kyledesigns.com/product/SW_IVORY_SWITCHES/Ivory-Electrical-Light-Sw . . .](http://www.kyledesigns.com/product/SW_IVORY_SWITCHES/Ivory-Electrical-Light-Sw...), as of Jun. 20, 2013.

Primary Examiner — Ian Simmons

Assistant Examiner — Rhea Shields

(74) *Attorney, Agent, or Firm* — Daniel P. Malley; Bond Schoeneck & King, PLLC

(57) **CLAIM**

The ornamental design for a universal serial bus (USB) electrical wiring device, as shown and described.

DESCRIPTION

FIG. 1 is a front view illustrating the universal serial bus (USB) electrical wiring device, the device includes a first single USB port opening and a second single USB port opening disposed at one end portion thereof, and a toggle switch handle disposed at the opposite end thereof, with broken lines depicting unclaimed subject matter that forms no part of the claimed design;

FIG. 2 is an isometric view of the universal serial bus (USB) electrical wiring device depicted in FIG. 1, with broken lines depicting unclaimed subject matter that forms no part of the claimed design;

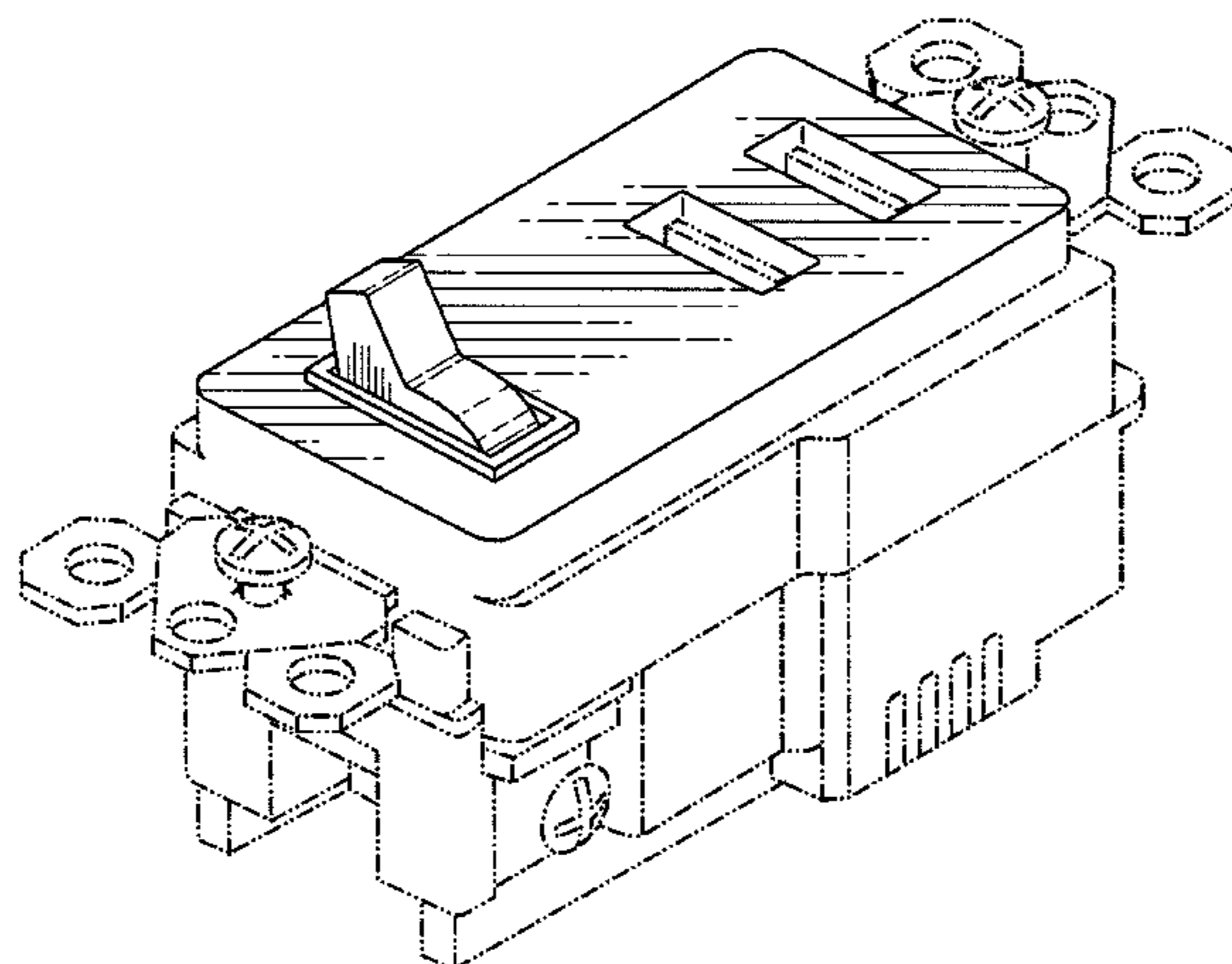
FIG. 3 is a first side view of the universal serial bus (USB) electrical wiring device depicted in FIG. 1, with broken lines depicting unclaimed subject matter that forms no part of the claimed design;

FIG. 4 is a second side view of the universal serial bus (USB) electrical wiring device depicted in FIG. 1, with broken lines depicting unclaimed subject matter that forms no part of the claimed design;

FIG. 5 is a first end view of the universal serial bus (USB) electrical wiring device depicted in FIG. 1, with broken lines depicting unclaimed subject matter that forms no part of the claimed design; and,

FIG. 6 is a second end view of the universal serial bus (USB) electrical wiring device depicted in FIG. 1, with broken lines depicting unclaimed subject matter that forms no part of the claimed design.

1 Claim, 2 Drawing Sheets



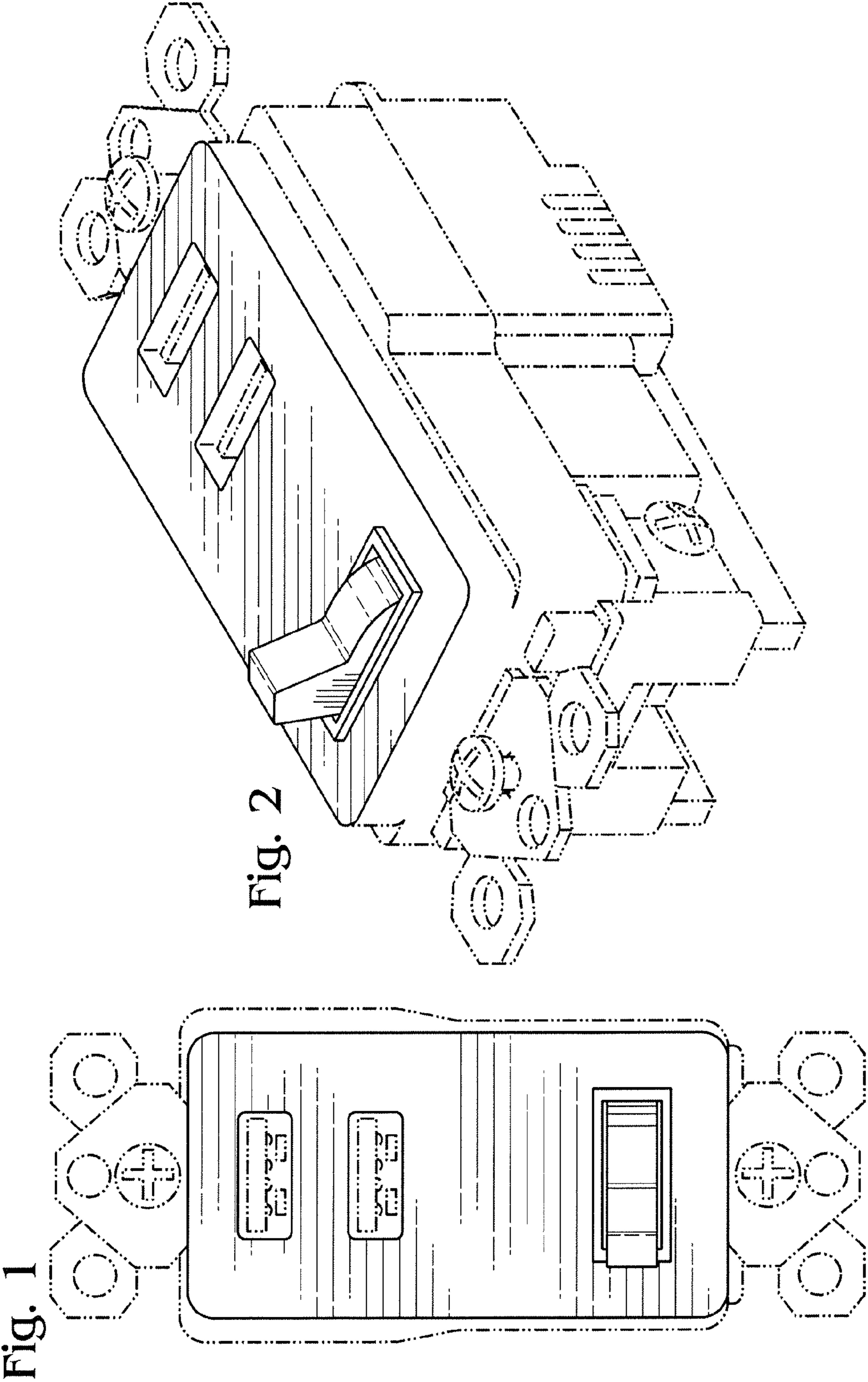
(56)

References Cited

U.S. PATENT DOCUMENTS

6,141,221	A	10/2000	Tong et al.	7,242,111	B2	7/2007	Menas et al.	
6,199,264	B1 *	3/2001	Marcou et al. 29/593	D558,676	S *	1/2008	Fort et al. D13/139.3	
6,210,216	B1	4/2001	Tso-Chin et al.	7,338,328	B2	3/2008	Krieger et al.	
6,211,581	B1	4/2001	Farrant	7,528,323	B2	5/2009	Wu et al.	
6,305,986	B1	10/2001	Hwang	D607,816	S	1/2010	Chen et al.	
6,346,009	B1	2/2002	Lin	7,766,698	B1	8/2010	De Iuliis et al.	
6,362,987	B1	3/2002	Yurek et al.	D623,596	S *	9/2010	Lamoureux et al. D13/139.1	
D462,660	S *	9/2002	Huang et al. D13/139.3	7,855,528	B2	12/2010	Lee	
D465,769	S	11/2002	Zhang et al.	D631,440	S *	1/2011	Lamoureux et al. D13/139.1	
6,722,917	B2	4/2004	Huang	7,997,925	B2	8/2011	Lam et al.	
6,722,924	B1	4/2004	Zhou et al.	8,011,937	B2	9/2011	Oddsens et al.	
6,736,677	B1	5/2004	Lin et al.	8,115,591	B2	2/2012	Fair et al.	
D494,934	S	8/2004	Milan	8,134,254	B2	3/2012	Makwinski	
6,776,658	B2	8/2004	Tang	8,170,623	B2	5/2012	Dorogusker	
6,799,997	B2	10/2004	Lin et al.	D674,753	S *	1/2013	Jansen et al. D13/139.1	
6,811,415	B2	11/2004	Chen	2005/0088834	A1	4/2005	Milan	
6,843,684	B2	1/2005	Milan	2006/0085584	A1	4/2006	Chen et al.	
D505,758	S *	5/2005	Rohmer et al. D13/156	2007/0015401	A1	1/2007	Sun	
6,943,296	B2	9/2005	Perrella et al.	2007/0072476	A1	3/2007	Milan	
D515,959	S *	2/2006	Nelson et al. D10/114.1	2007/0182363	A1	8/2007	Yang	
7,140,922	B2	11/2006	Luu et al.	2007/0247800	A1	10/2007	Smith et al.	
7,167,372	B2	1/2007	Mori et al.	2008/0012423	A1	1/2008	Mimran	
7,212,420	B2	5/2007	Liao	2008/0122292	A1	5/2008	Minami	
				2008/0318474	A1	12/2008	Crotinger et al.	
				2010/0246232	A1	9/2010	Chen et al.	

* cited by examiner



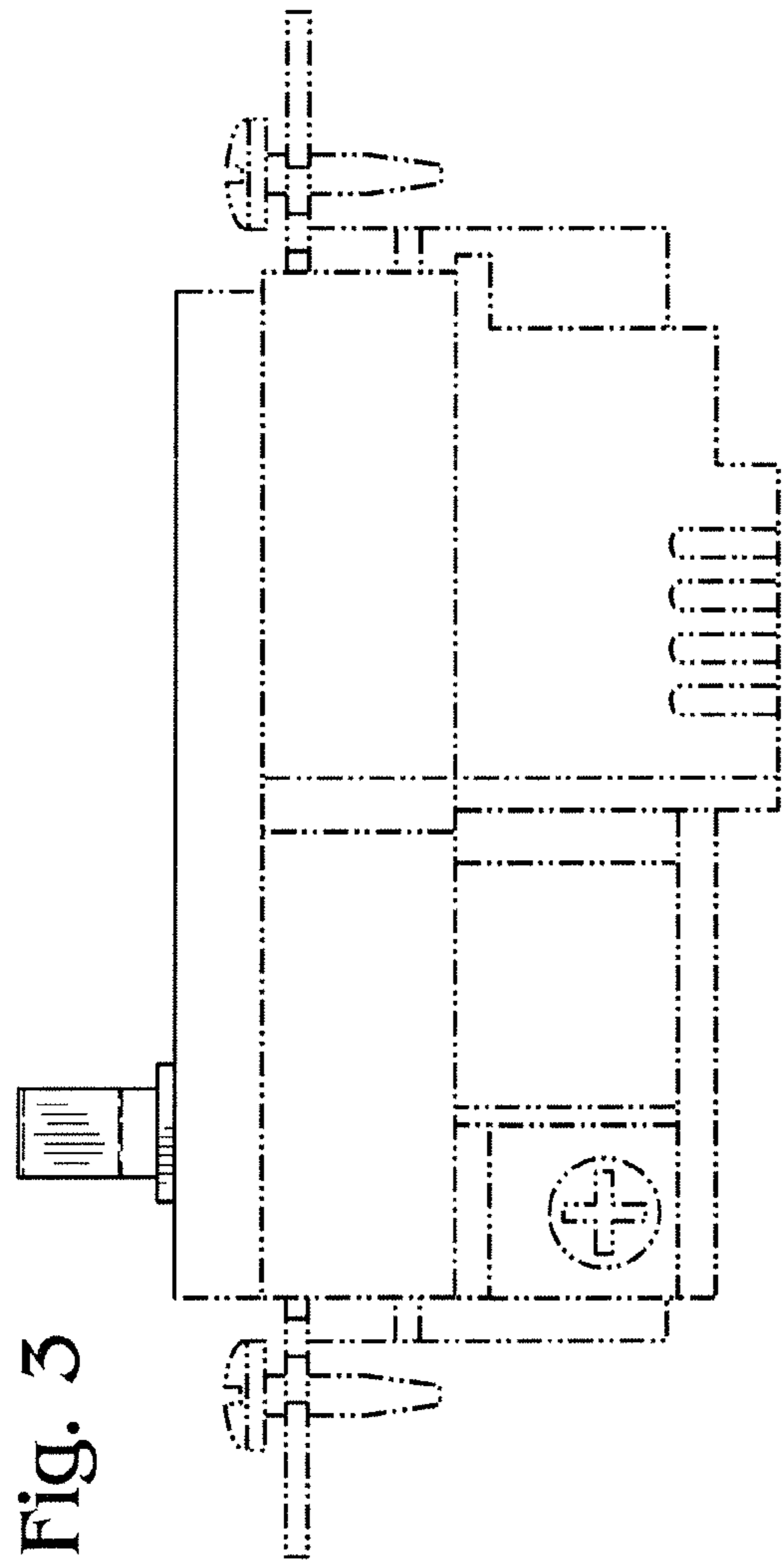


Fig. 5

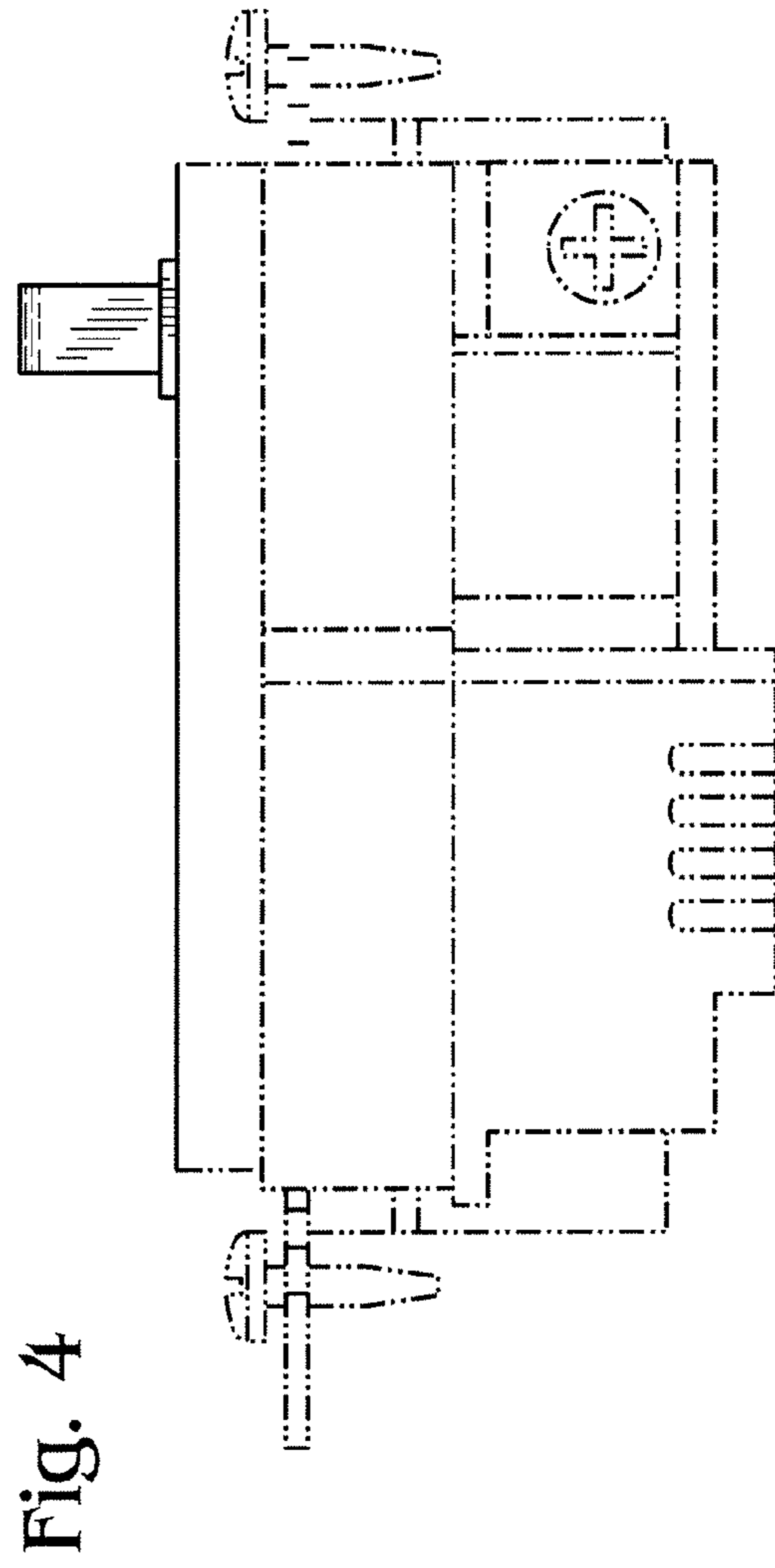
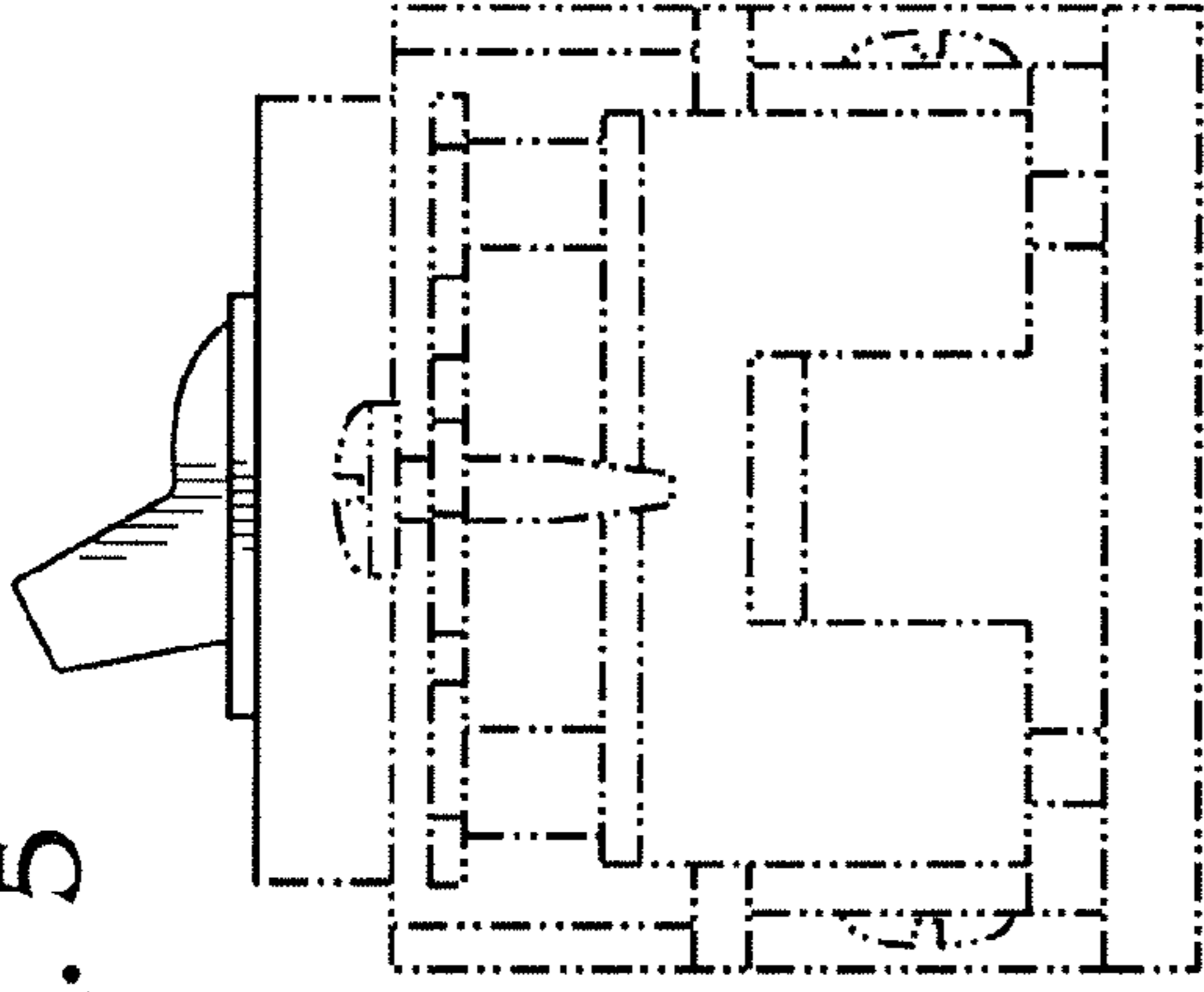


Fig. 6

