



US00D730834S

(12) **United States Design Patent**  
**Byrne et al.**

(10) **Patent No.:** **US D730,834 S**  
(45) **Date of Patent:** **\*\* Jun. 2, 2015**

(54) **ELECTRICAL RECEPTACLE**  
(71) Applicants: **Norman R. Byrne**, Ada, MI (US);  
**Daniel P. Byrne**, Lowell, MI (US);  
**Thomas A. Petersen**, Sand Lake, MI (US)

6,290,512 B1 9/2001 Mullen, Jr.  
6,488,540 B2 12/2002 Coyle et al.  
6,981,896 B2 1/2006 Su  
7,244,128 B2 7/2007 Byrne  
7,258,564 B1 8/2007 Su

(Continued)

(72) Inventors: **Norman R. Byrne**, Ada, MI (US);  
**Daniel P. Byrne**, Lowell, MI (US);  
**Thomas A. Petersen**, Sand Lake, MI (US)

**OTHER PUBLICATIONS**

“Leviton 120V . . .”, reference dated Sep. 17, 2014, found on the internet at: [http://www.auberins.com/index.php?main\\_page=product\\_info&products\\_id=409](http://www.auberins.com/index.php?main_page=product_info&products_id=409).\*

(Continued)

(\*\*) Term: **14 Years**

(21) Appl. No.: **29/490,846**

*Primary Examiner* — Ian Simmons  
*Assistant Examiner* — Rhea Shields

(22) Filed: **May 14, 2014**

(74) *Attorney, Agent, or Firm* — Gardner, Linn, Burkhardt & Flory, LLP

(51) **LOC (10) Cl.** ..... **13-03**

(52) **U.S. Cl.**  
USPC ..... **D13/139.1**

(57) **CLAIM**

The ornamental design for an electrical receptacle, as shown and described.

(58) **Field of Classification Search**  
USPC ..... D13/139.1, 147, 110, 137.1, 138.2,  
D13/137.2, 133, 145, 146, 139.4; 439/106,  
439/131, 105, 107, 170–173  
CPC ..... H01R 13/652; H01R 35/04; H01R 31/02;  
H01R 29/00; H01R 27/00  
See application file for complete search history.

**DESCRIPTION**

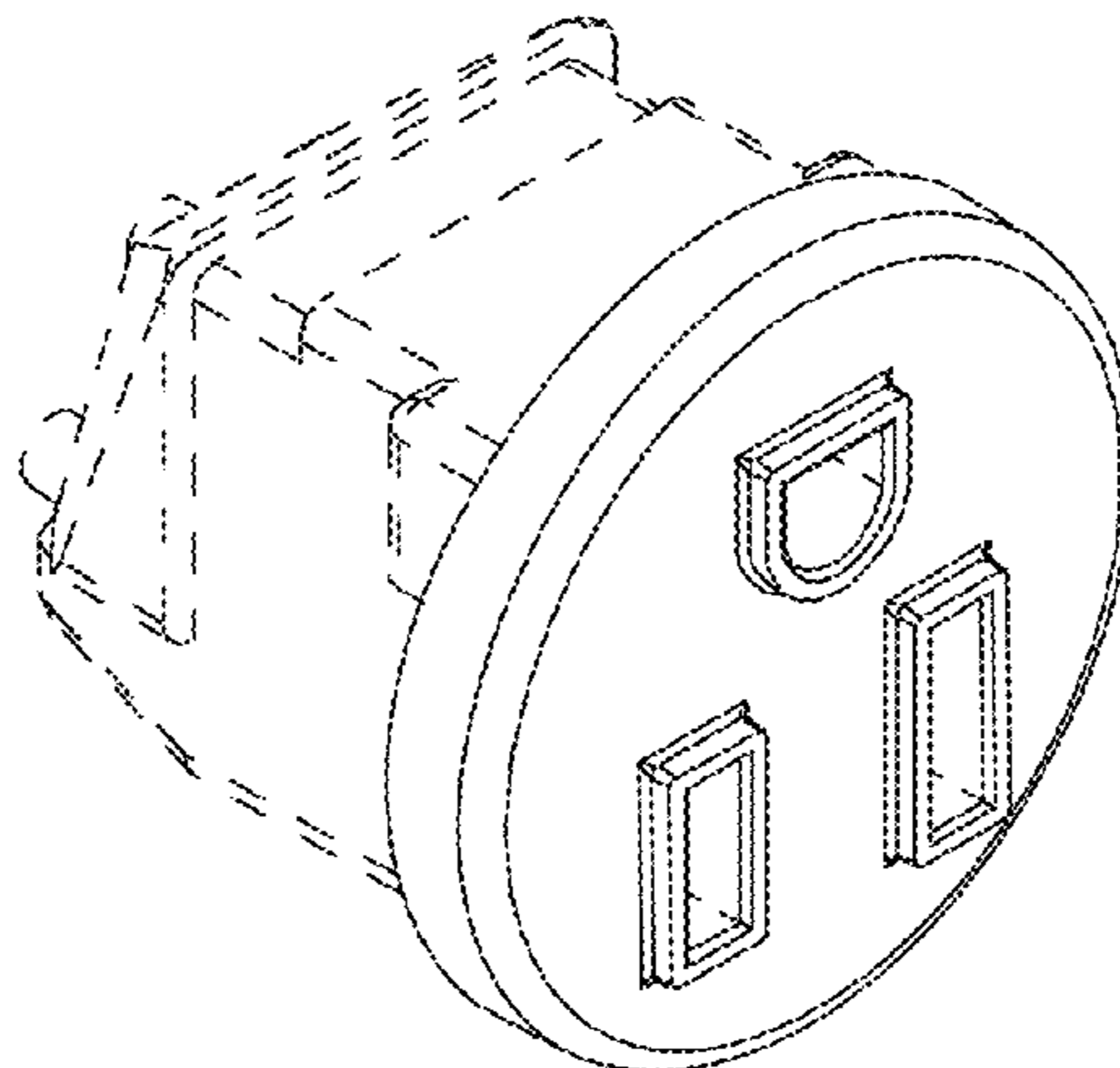
FIG. 1 is a perspective view of an electrical receptacle showing our new design;  
FIG. 2 is a top plan view of the electrical receptacle of FIG. 1;  
FIG. 3 is a bottom plan view of the electrical receptacle of FIG. 1;  
FIG. 4 is a front elevation of the electrical receptacle of FIG. 1;  
FIG. 5 is a rear elevation of the electrical receptacle of FIG. 1;  
FIG. 6 is a right side elevation of the electrical receptacle of FIG. 1;  
FIG. 7 is a left side elevation of the electrical receptacle of FIG. 1; and,  
FIG. 8 is a perspective view of the electrical receptacle of FIG. 1, shown in an exemplary operating environment.  
In the drawings, the broken lines depict environmental subject matter only and form no part of the claimed design.

(56) **References Cited**

**U.S. PATENT DOCUMENTS**

2,249,827	A	7/1941	Herman	
3,611,257	A	10/1971	Carkhuff	
3,850,496	A	11/1974	Hague	
4,372,629	A	2/1983	Propst	
4,747,788	A	5/1988	Byrne	
4,984,982	A	1/1991	Brownlie	
5,234,355	A	8/1993	Sosinski et al.	
D375,292	S *	11/1996	D’Amato	..... D13/137.1
5,575,668	A	11/1996	Timmerman	
5,647,751	A	7/1997	Shulman et al.	
5,709,156	A	1/1998	Gavaert	
5,922,993	A *	7/1999	Ide et al.	..... 174/84 R
D430,539	S	9/2000	Leopold et al.	

**1 Claim, 3 Drawing Sheets**



(56)

**References Cited**

U.S. PATENT DOCUMENTS

D558,676	S	1/2008	Fort et al.	
D568,816	S	5/2008	Micheals	
D573,950	S	7/2008	Schwartz	
7,559,795	B2	7/2009	Byrne	
D614,574	S *	4/2010	Thommes	D13/139.1
7,833,037	B2	11/2010	Reusche et al.	
D633,870	S *	3/2011	Thommes	D13/139.1
D670,248	S *	11/2012	Chen	D13/138.2
D674,754	S	1/2013	Zanoni et al.	
D677,630	S *	3/2013	Zien et al.	D13/139.8
D681,554	S *	5/2013	Nelson et al.	D13/137.3
8,480,415	B2	7/2013	Byrne	
8,512,065	B2	8/2013	Byrne et al.	
D701,836	S	4/2014	Byrne	
D707,626	S *	6/2014	Atkinson et al.	D13/110
D711,323	S *	8/2014	Wardenburg	D13/146
2010/0068908	A1	3/2010	Byrne	
2011/0244700	A1	10/2011	Byrne	
2012/0184148	A1	7/2012	Byrne	

OTHER PUBLICATIONS

“Wholesale 17% . . .”, reference dated Jan. 19, 2010, found on the internet at: <http://www.wellpromo.com/Wholesale/Power-Supplies-Inverters/1-7-8-x3-1-4--Giftcor-Universal-Power-Adaptor-Plug-86799.htm>.\*

Heyco datasheet entitled “Preassembled Cordset Components: Tri-Tap Premold-NEMA 5-15R,” available at [http://www.heyco.com/Power\\_Components/pdf/8-28.pdf](http://www.heyco.com/Power_Components/pdf/8-28.pdf).

<http://www.grainger.com/Grainer/Plug-Adaptor-11K293?Pid=search>, identified May 2, 2013.

[http://www.zingearpc.en.ec21.com/Zing\\_Ear\\_Snap\\_In\\_Receptacle-5769349\\_5769674.html](http://www.zingearpc.en.ec21.com/Zing_Ear_Snap_In_Receptacle-5769349_5769674.html), identified May 2, 2013.

Co-pending Design U.S. Appl. No. 29/488,043, filed Apr. 15, 2014, entitled Power Center for a Work Surface.

Co-pending Design U.S. Appl. No. 29/490,843, filed May 14, 2014, entitled Low Voltage Electrical Receptacle.

Co-pending Design U.S. Appl. No. 29/490,844, filed May 14, 2014, entitled Low Voltage Electrical Receptacle.

Co-pending Design U.S. Appl. No. 29/490,845, filed May 14, 2014, entitled Electrical Receptacle.

\* cited by examiner

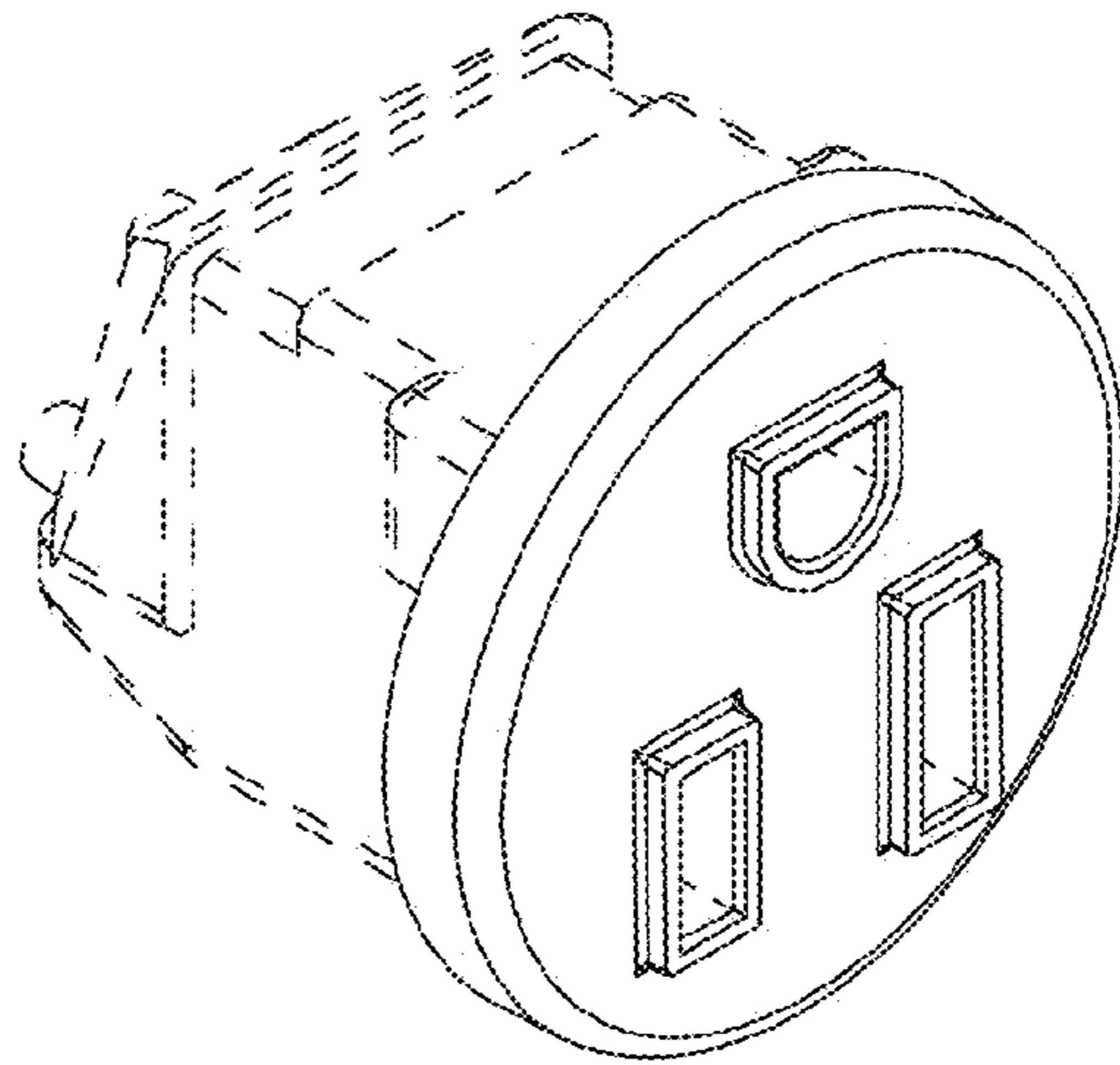


FIG. 1

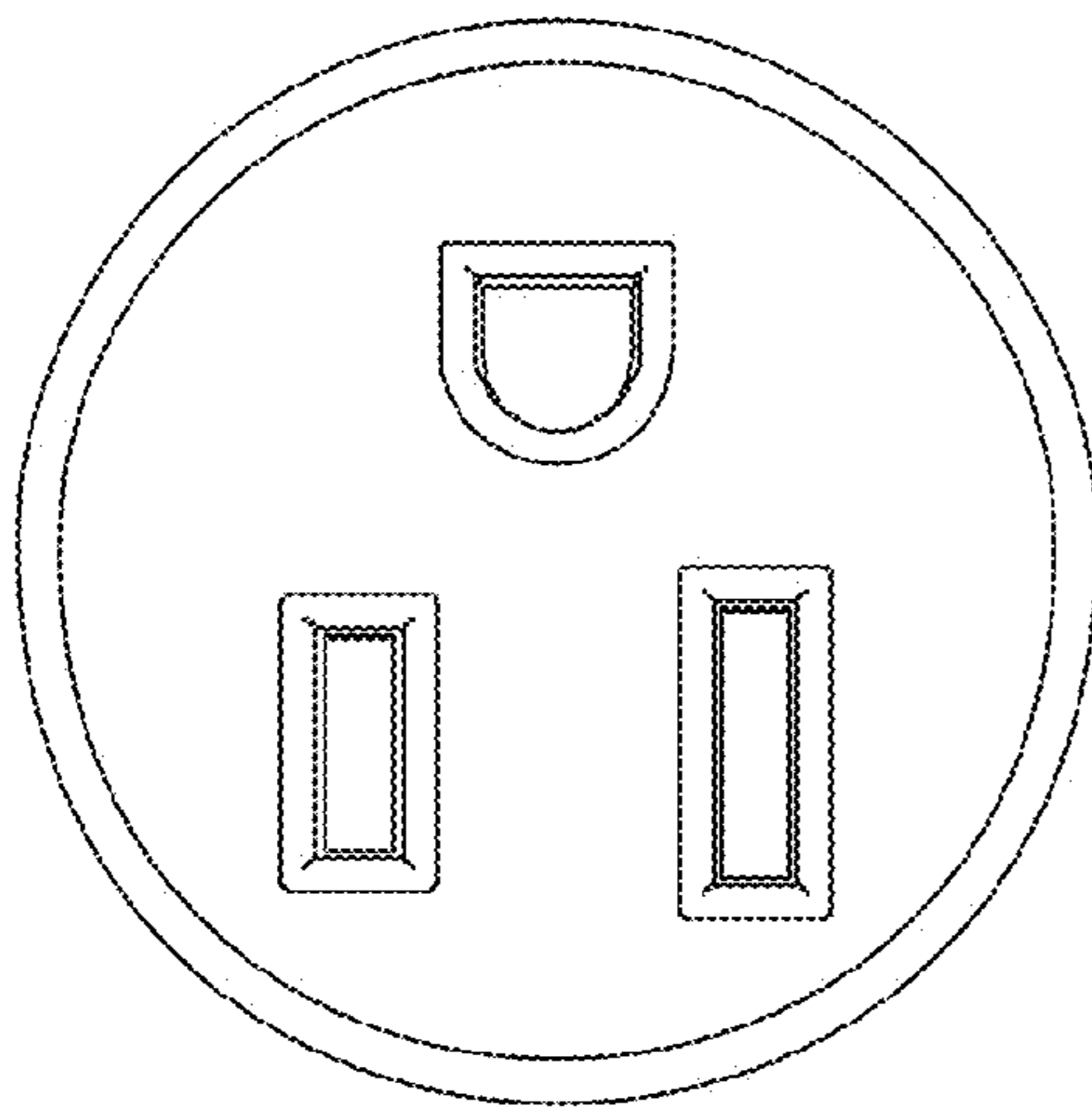


FIG. 2

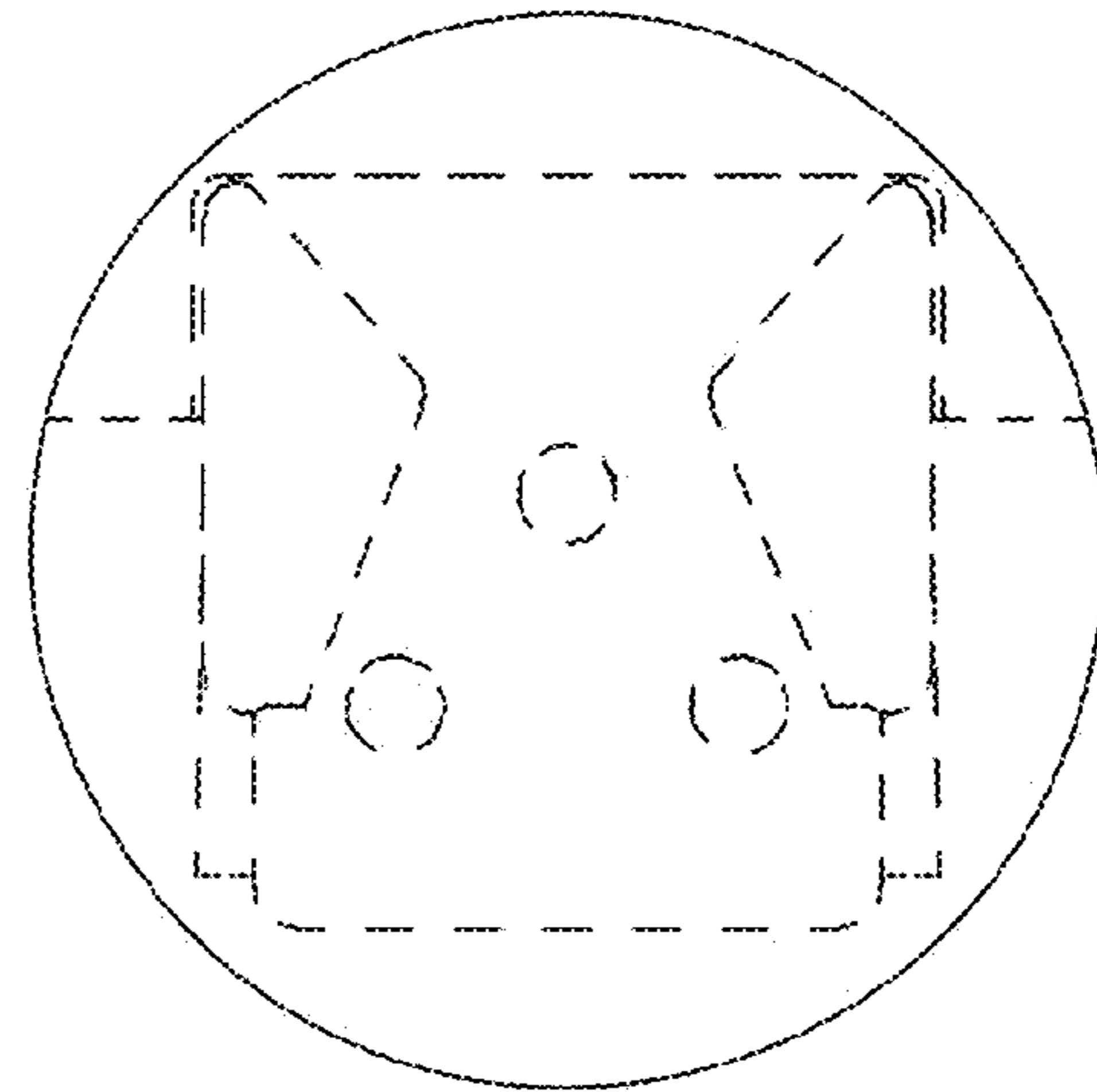


FIG. 3

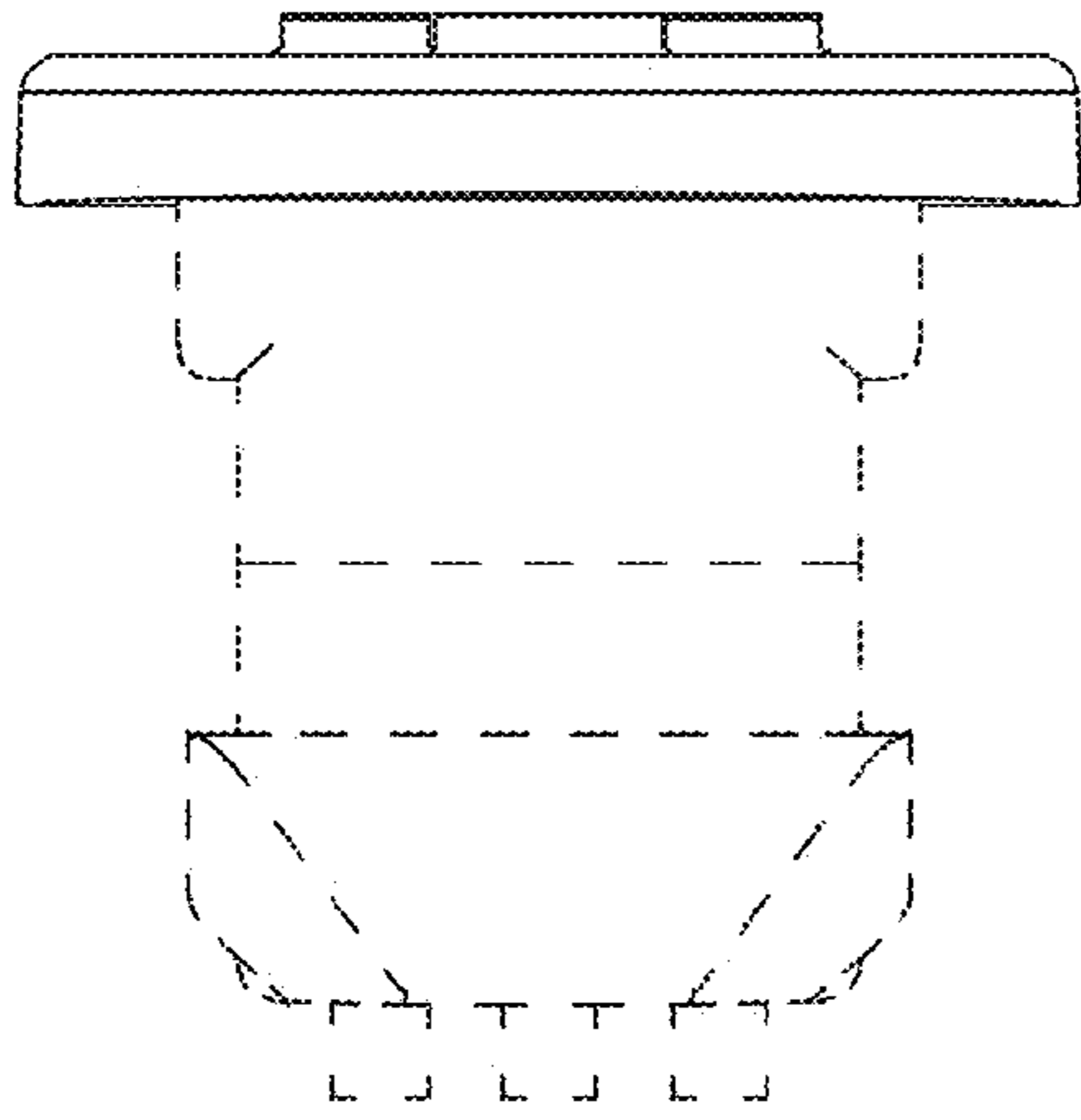


FIG. 4

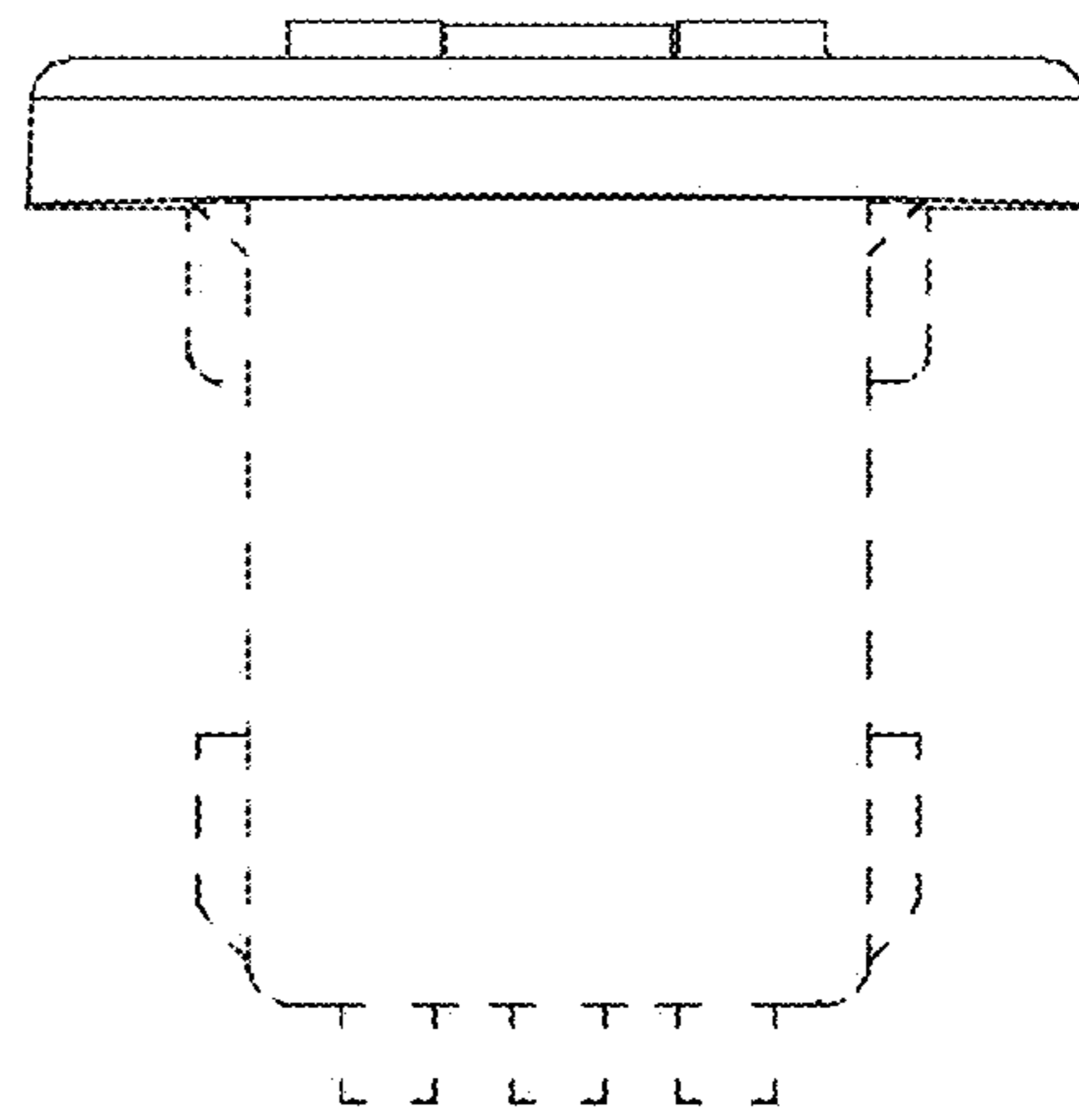


FIG. 5

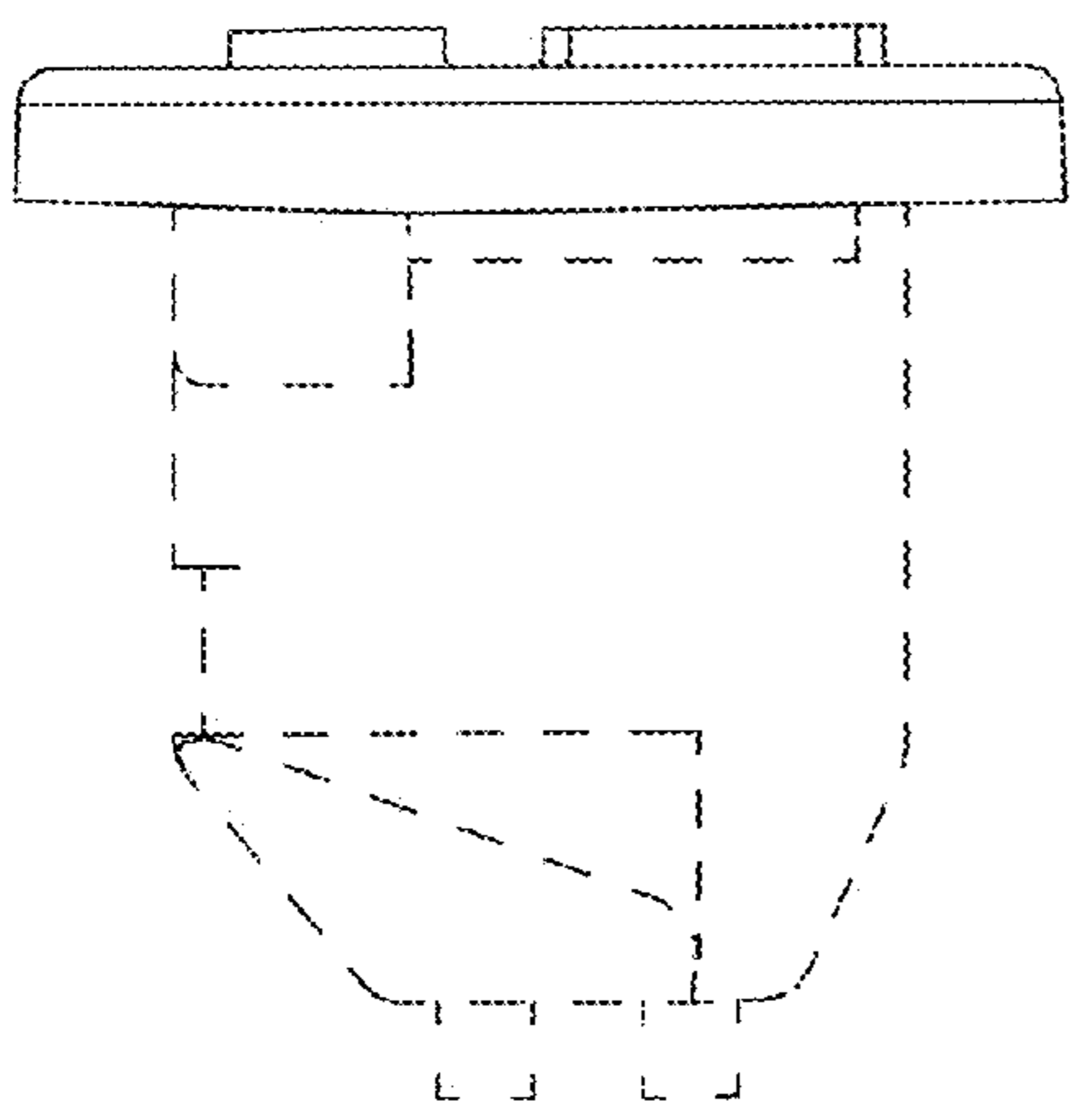


FIG. 6

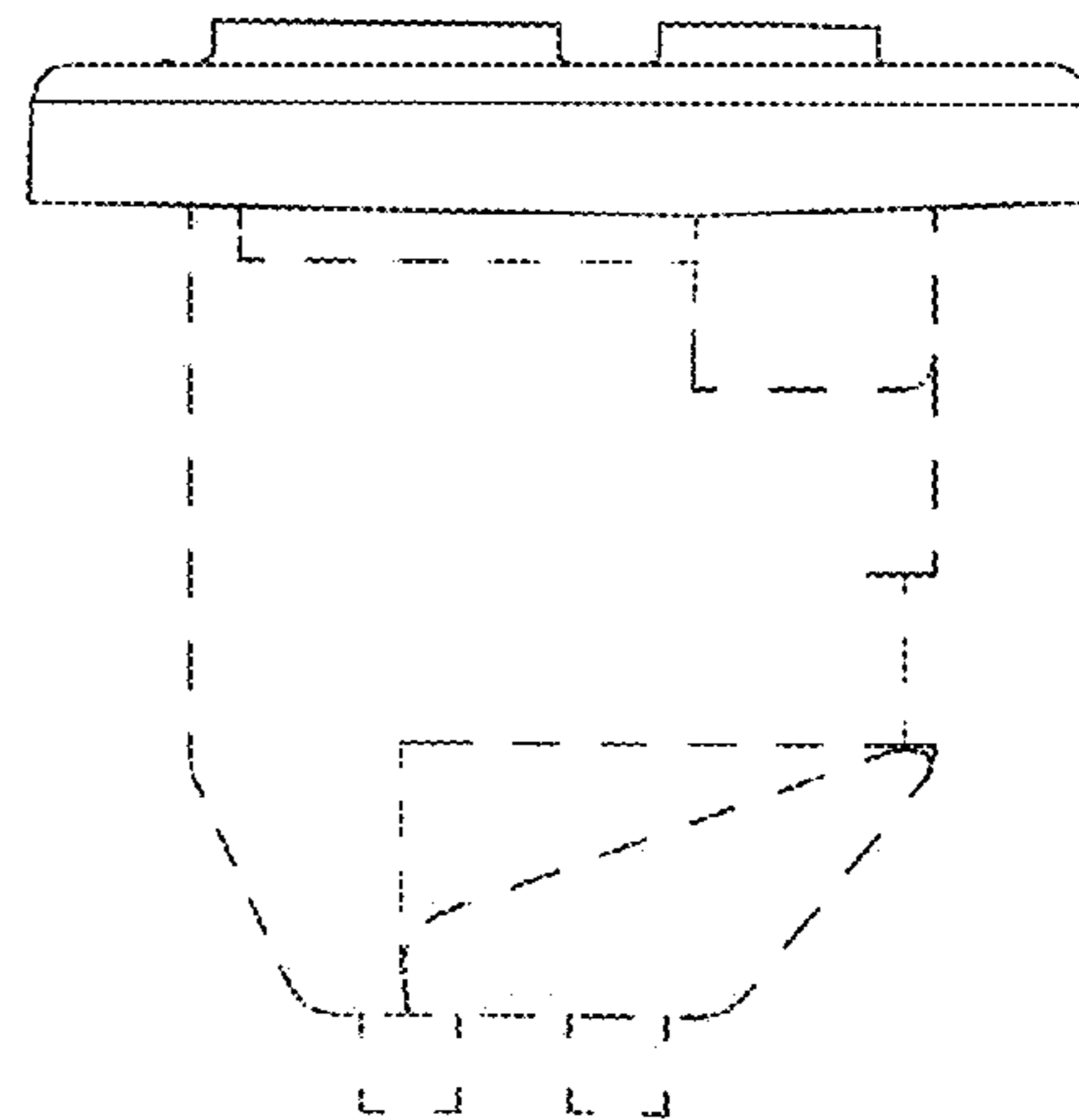


FIG. 7

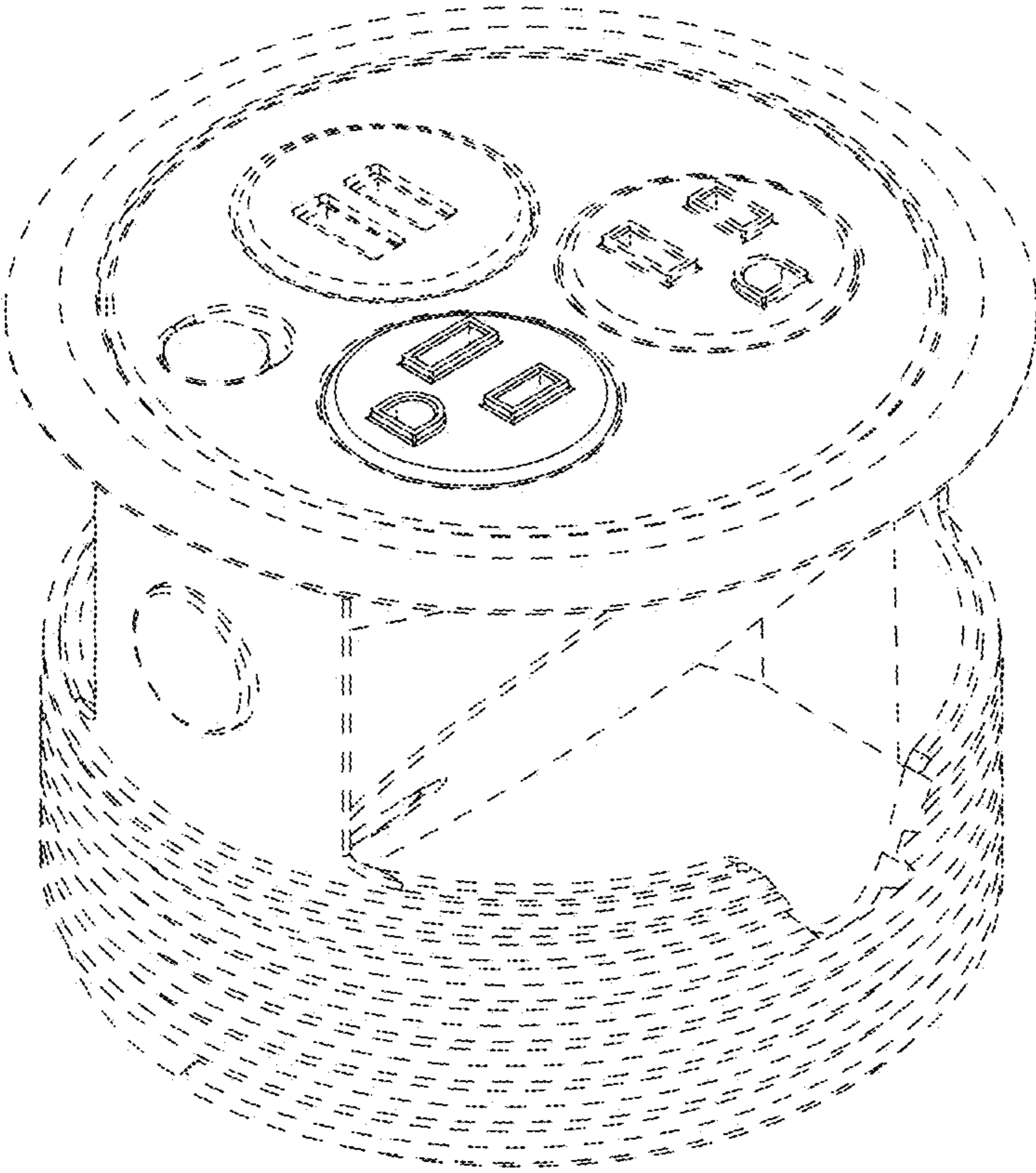


FIG. 8