



US00D730833S

(12) **United States Design Patent**
Lewis, Jr. et al.

(10) **Patent No.:** **US D730,833 S**
(45) **Date of Patent:** **** Jun. 2, 2015**

(54) **COUPLING ADAPTER**

(71) Applicant: **ZetrOZ, Inc.**, Trumbull, CT (US)

(72) Inventors: **George K. Lewis, Jr.**, Trumbull, CT (US); **Shane Fleshman**, Milford, CT (US)

(73) Assignee: **ZetrOz, Inc.**, Trumbull, CT (US)

(**) Term: **14 Years**

(21) Appl. No.: **29/482,241**

(22) Filed: **Feb. 16, 2014**

(51) **LOC (10) Cl.** **13-03**

(52) **U.S. Cl.**
USPC **D13/133**

(58) **Field of Classification Search**
USPC D13/123, 133, 146, 147, 149, 153–156,
D13/184, 199; D14/203, 217, 223, 299;
D24/187, 188
CPC H01R 12/70; H01R 24/00; H01R 25/00;
H01R 26/00; H01R 27/00; H01R 28/00;
H01R 29/00; H01R 13/66; H01R 33/00;
H01R 13/20; H01R 13/54; H01P 5/00; H01B
1/10

See application file for complete search history.

(56) **References Cited**

U.S. PATENT DOCUMENTS

D186,887 S * 12/1959 Yarick D13/133
4,110,696 A * 8/1978 Meeks 455/307

D465,784 S * 11/2002 Lin D14/435.1
D519,085 S * 4/2006 Gull et al. D13/155
D584,689 S * 1/2009 Slawson et al. D13/133
D604,253 S * 11/2009 Andre et al. D13/154
D608,286 S * 1/2010 Stutz D13/147
D689,440 S * 9/2013 Lee et al. D13/153

* cited by examiner

Primary Examiner — Thomas Johannes

Assistant Examiner — Shawn T Gingrich

(74) *Attorney, Agent, or Firm* — Heslin Rothenberg Farley & Mesiti P.C.; Andrew K. Gonsalves, Esq.

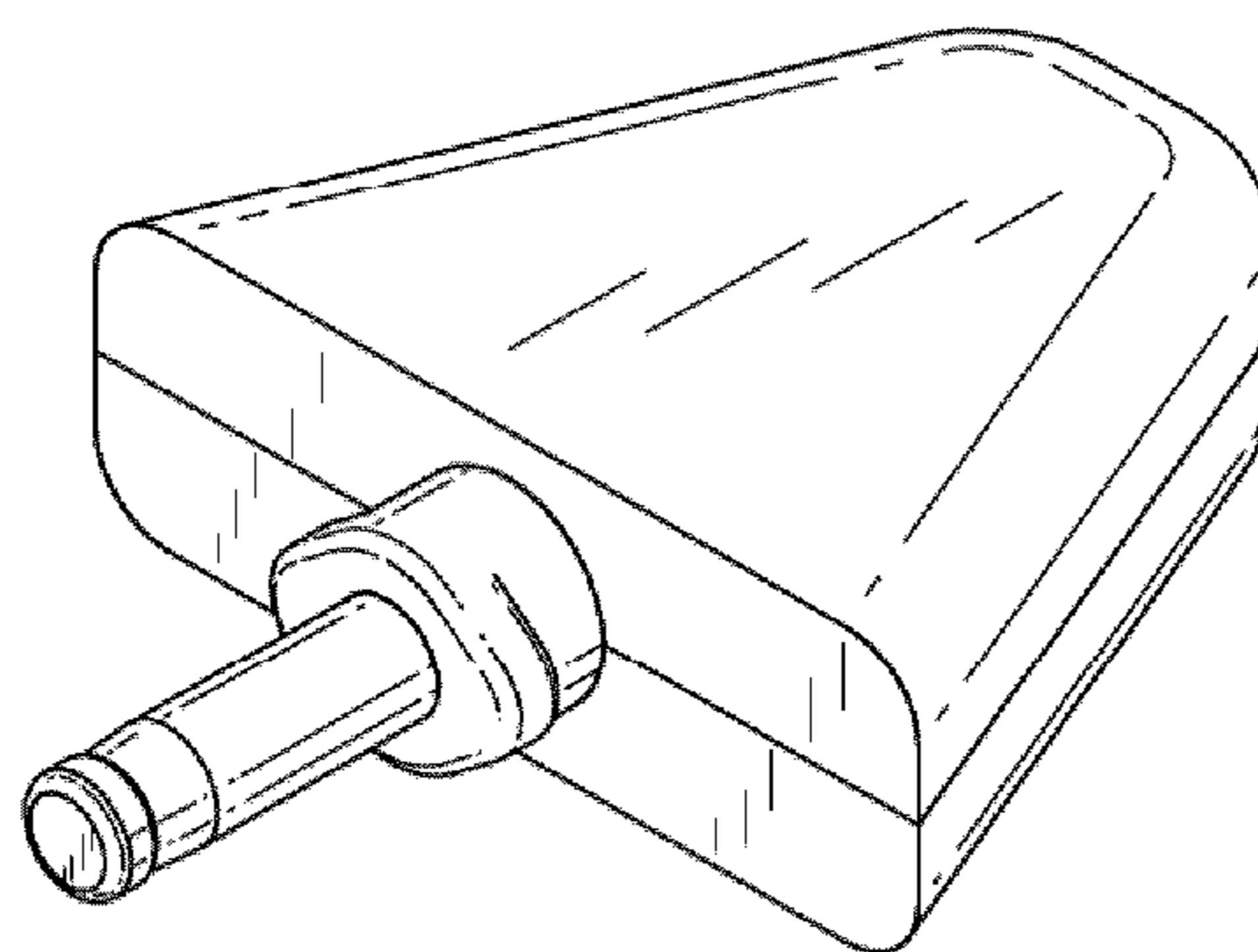
(57) **CLAIM**

The ornamental design for a coupling adapter, as shown and described.

DESCRIPTION

FIG. 1 is a perspective view of a coupling adapter of the present design;
FIG. 2 is a bottom plan view thereof;
FIG. 3 is a front elevation view thereof, the rear elevation view being identical;
FIG. 4 is a side elevation view thereof, the other side elevation view being identical;
FIG. 5 is a top plan view thereof;
FIG. 6 is a perspective view shown in an environment of use thereof; and,
FIG. 7 is a perspective view thereof shown in a second environment of use.

1 Claim, 3 Drawing Sheets



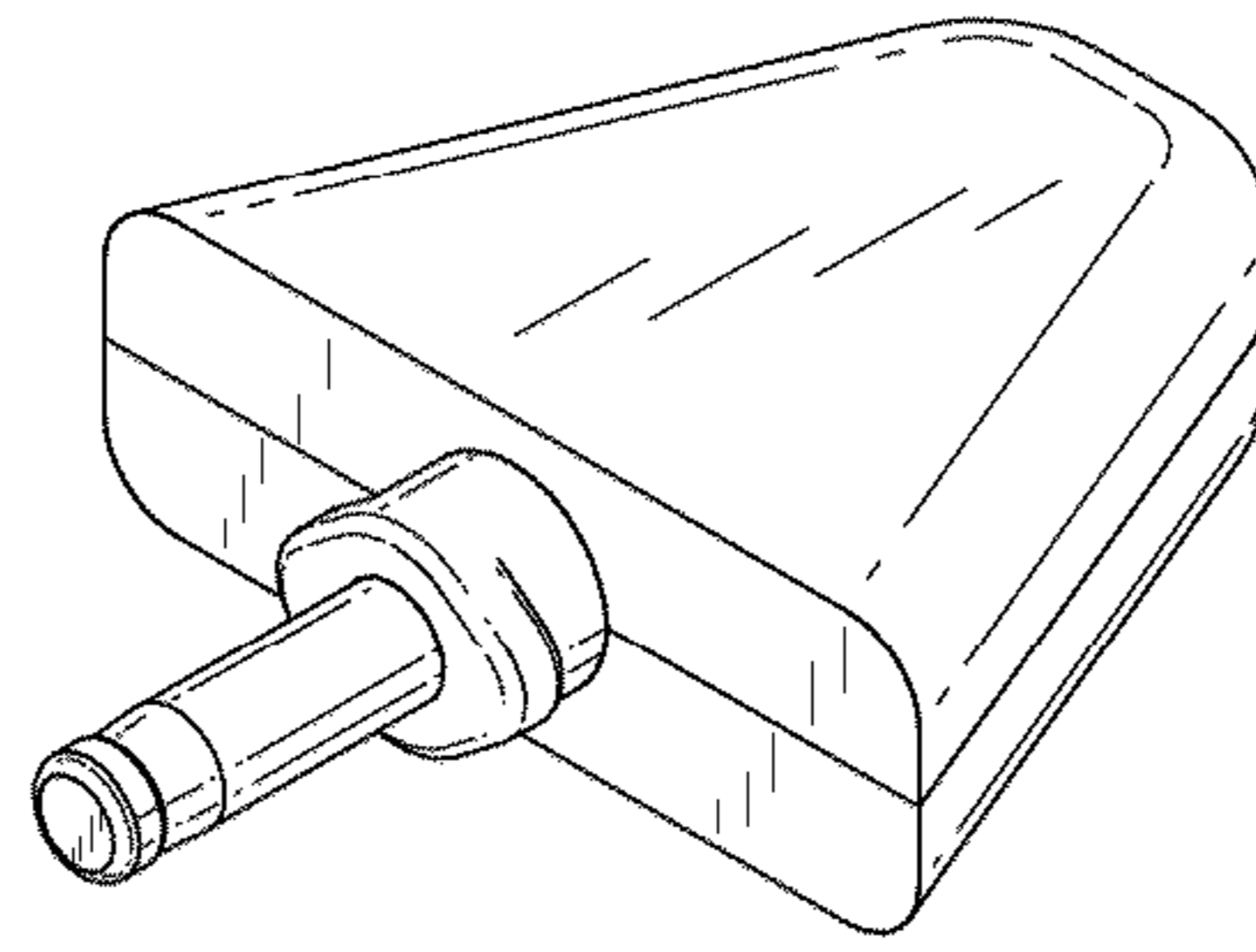


FIG. 1

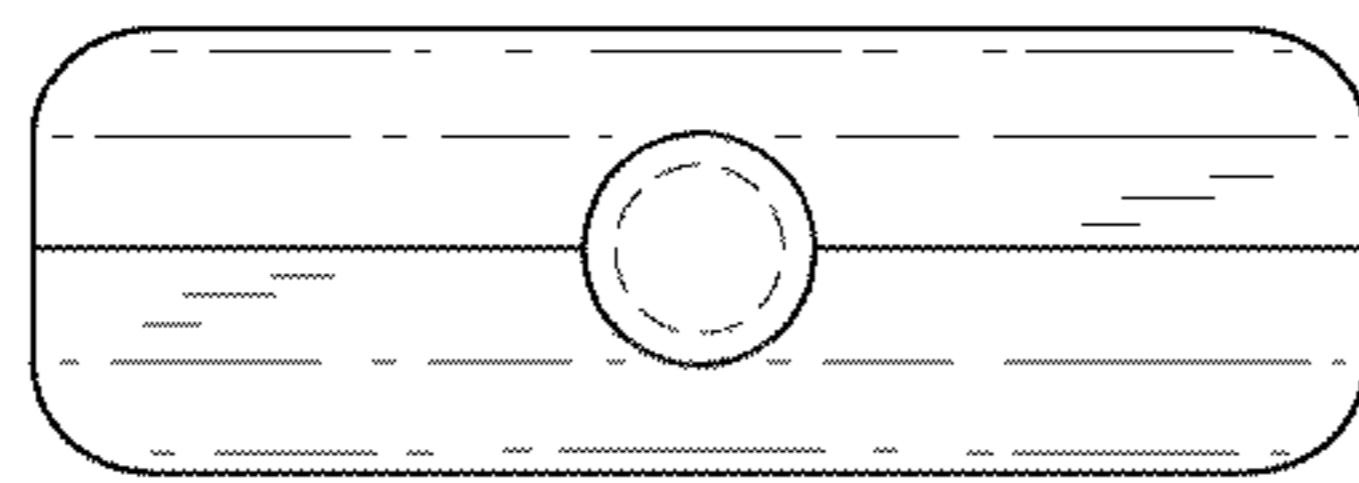


FIG. 2

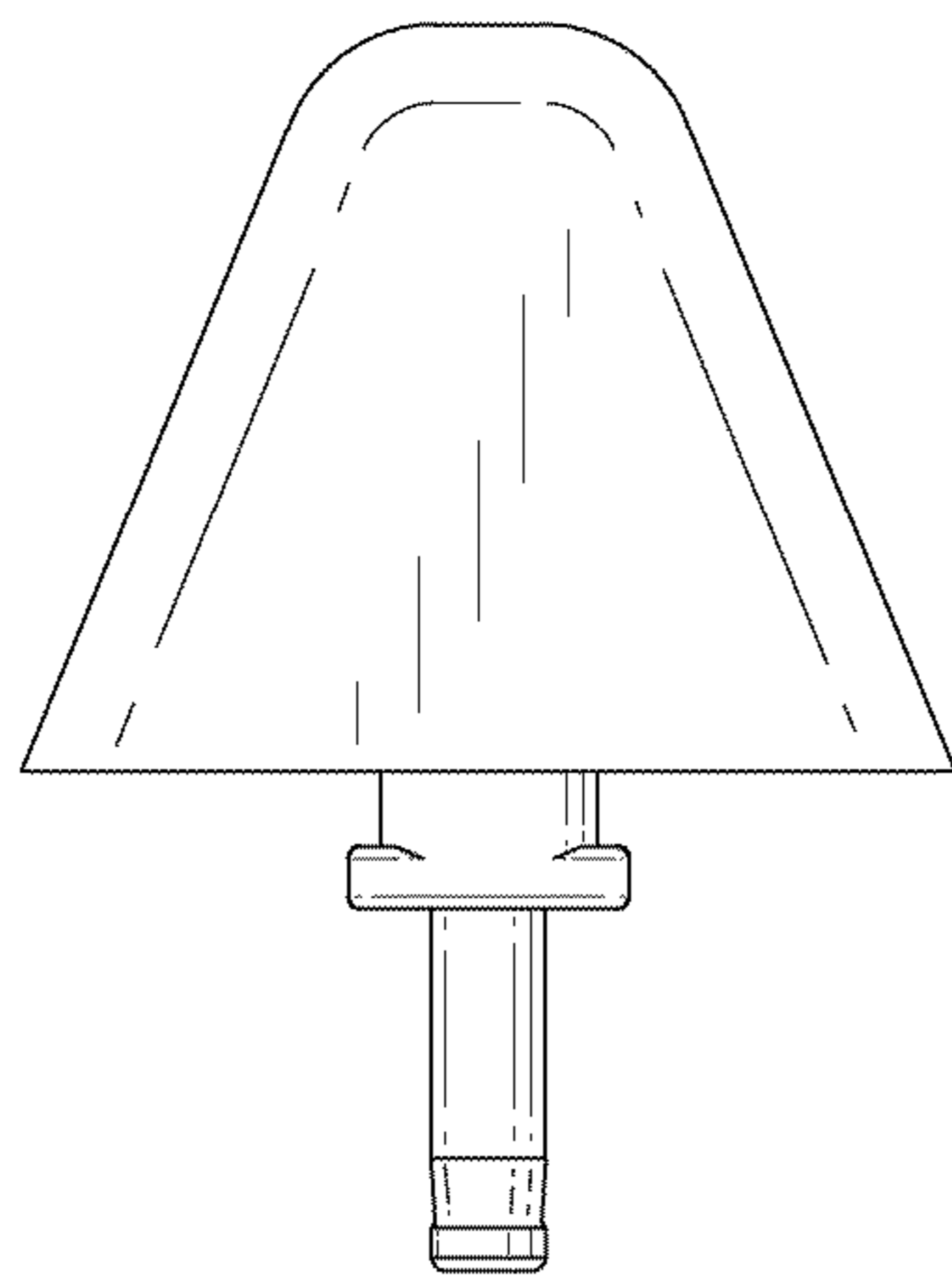


FIG. 3

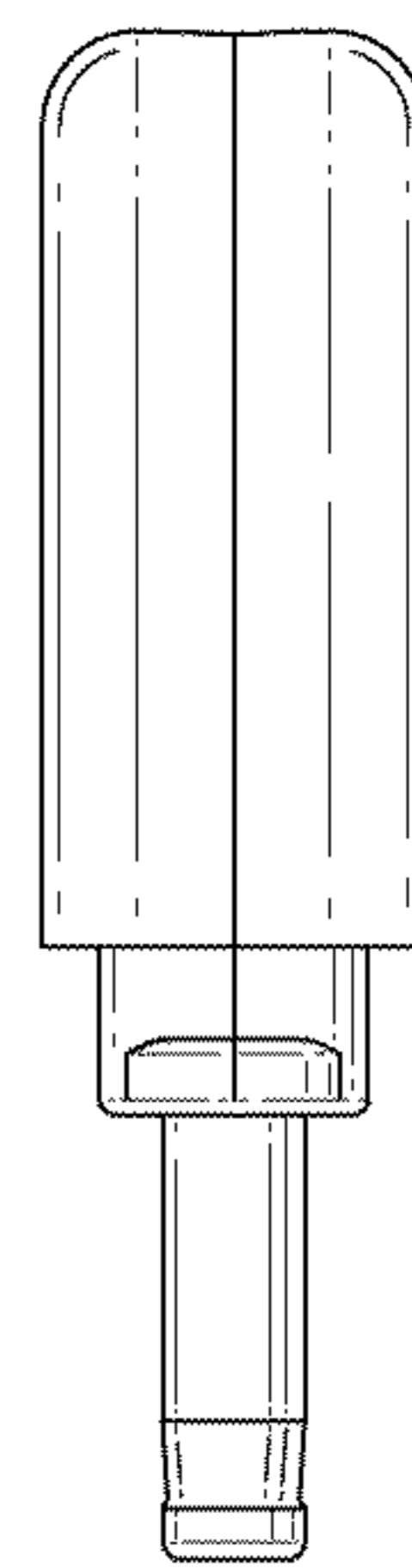


FIG. 4

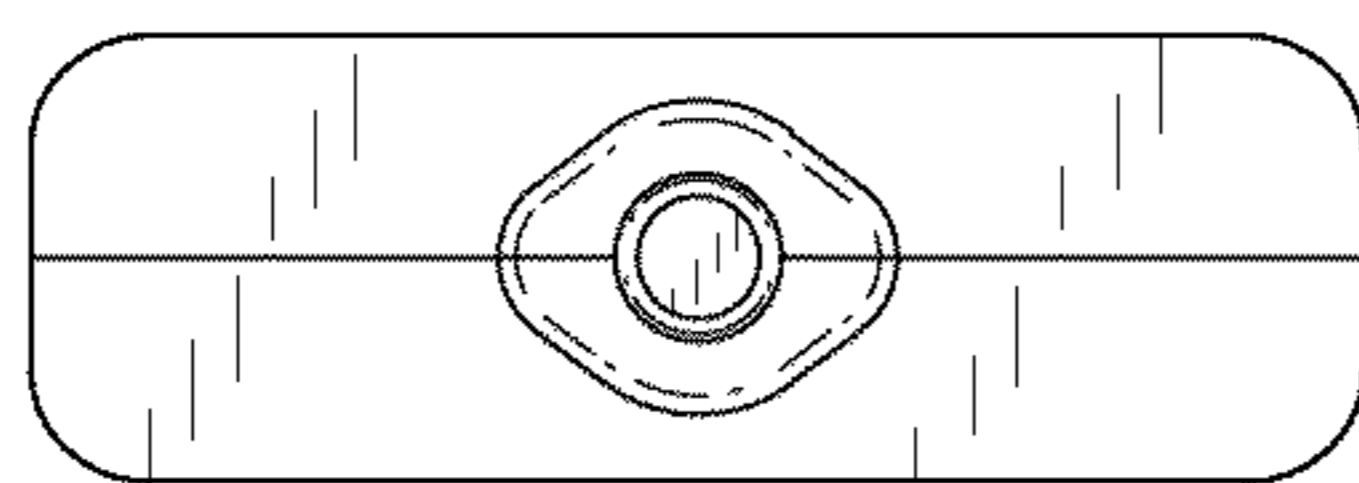


FIG. 5

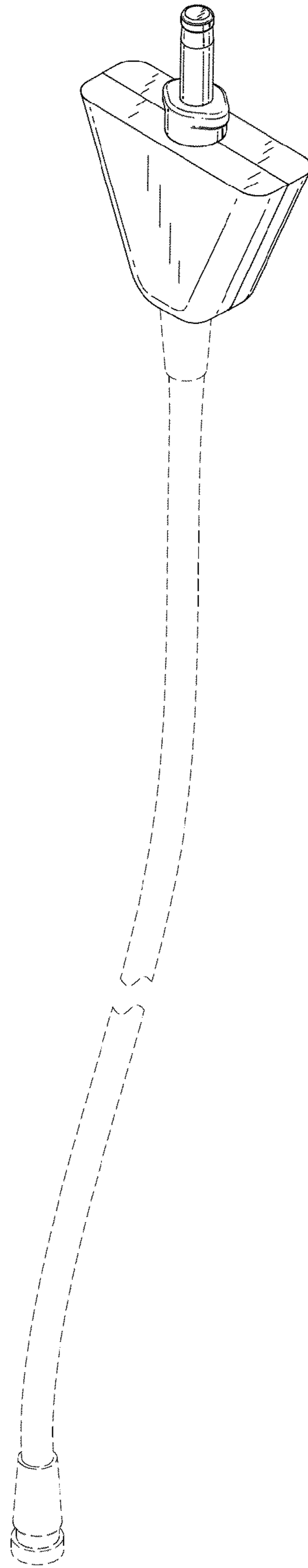


FIG. 6

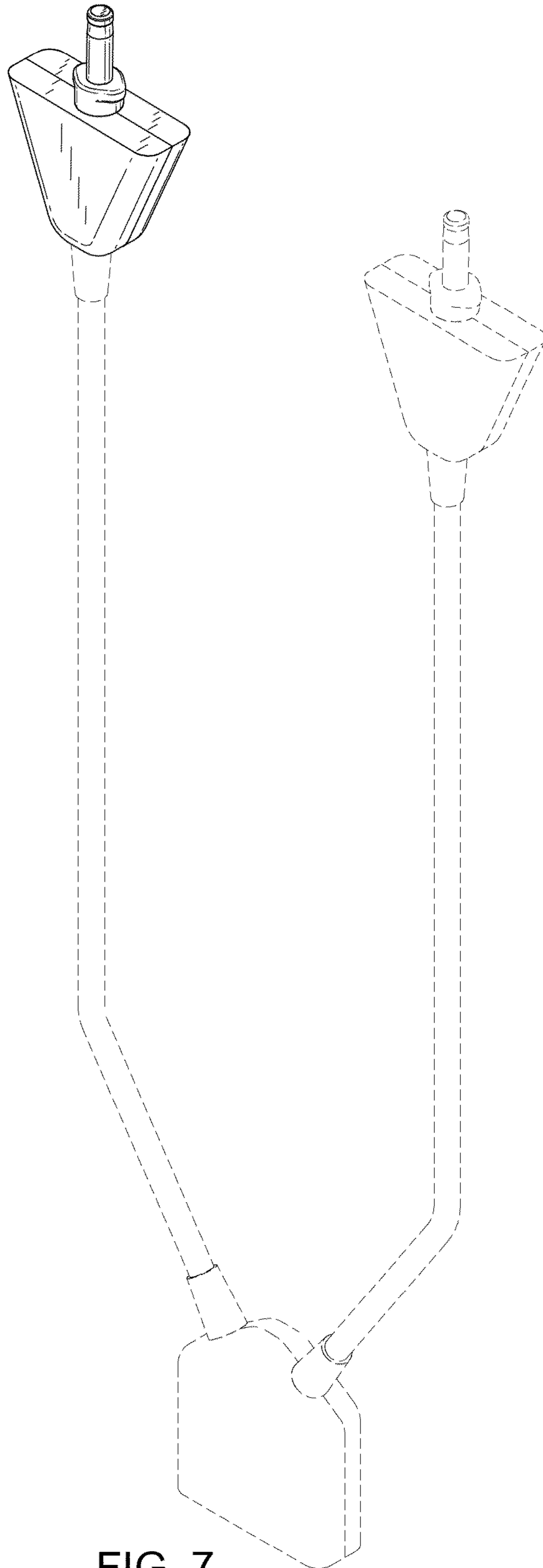


FIG. 7