



US00D730832S

(12) **United States Design Patent**  
**Siddiqui**

(10) **Patent No.:** **US D730,832 S**  
(45) **Date of Patent:** **\*\* Jun. 2, 2015**

(54) **LIGHTED CHARGER TIP FOR A PORTABLE ELECTRONIC DEVICE**

(75) Inventor: **Haroon Ahmad Siddiqui**, Farmington Hills, MI (US)

(73) Assignee: **WIREOX**, Ferndale, MI (US)

(\*\*) Term: **14 Years**

(21) Appl. No.: **29/430,131**

(22) Filed: **Aug. 21, 2012**

(51) **LOC (10) Cl.** ..... **13-03**

(52) **U.S. Cl.**  
USPC ..... **D13/133**

(58) **Field of Classification Search**  
USPC ..... D13/107, 133, 147, 153, 154, 156;  
439/488-490, 607.1-607.53  
CPC ..... H01R 13/717-13/7177  
See application file for complete search history.

(56) **References Cited**

U.S. PATENT DOCUMENTS

|           |      |         |                  |            |
|-----------|------|---------|------------------|------------|
| 5,690,509 | A    | 11/1997 | Eisenbraun       |            |
| D392,250  | S *  | 3/1998  | Yiin             | D13/107    |
| D406,563  | S *  | 3/1999  | Kuo              | D13/147    |
| 6,290,533 | B1   | 9/2001  | Major            |            |
| 6,616,300 | B1   | 9/2003  | Hrabal           |            |
| 6,921,284 | B2   | 7/2005  | Sirichai et al.  |            |
| D531,581  | S *  | 11/2006 | Wang et al.      | D13/147    |
| 7,201,611 | B2   | 4/2007  | Faranda          |            |
| D576,619  | S *  | 9/2008  | Udagawa et al.   | D14/435.1  |
| D601,093  | S *  | 9/2009  | Wu et al.        | D13/147    |
| 7,789,523 | B2   | 9/2010  | Arnold, III      |            |
| D627,300  | S *  | 11/2010 | Lin              | D13/147    |
| 7,902,990 | B2   | 3/2011  | Delmonico et al. |            |
| 8,221,163 | B2 * | 7/2012  | Kawakami et al.  | 439/607.13 |
| 8,373,662 | B2   | 2/2013  | Chang            |            |
| 8,378,631 | B2   | 2/2013  | Ron et al.       |            |

|              |      |         |                 |         |
|--------------|------|---------|-----------------|---------|
| 8,638,233    | B2   | 1/2014  | Aguren et al.   |         |
| 8,740,640    | B2 * | 6/2014  | Hardy           | 439/490 |
| 2002/0086583 | A1 * | 7/2002  | Casey           | 439/610 |
| 2005/0024873 | A1 * | 2/2005  | Cope            | 362/253 |
| 2007/0099519 | A1   | 5/2007  | Lord            |         |
| 2011/0026255 | A1   | 2/2011  | Kwak            |         |
| 2012/0064758 | A1 * | 3/2012  | Grice et al.    | 439/490 |
| 2013/0127292 | A1   | 5/2013  | Gieras et al.   |         |
| 2013/0308304 | A1   | 11/2013 | Tuchrelo et al. |         |

\* cited by examiner

*Primary Examiner* — Susan Bennett Hattan

*Assistant Examiner* — Brett Miller

(74) *Attorney, Agent, or Firm* — Brooks Kushman P.C.

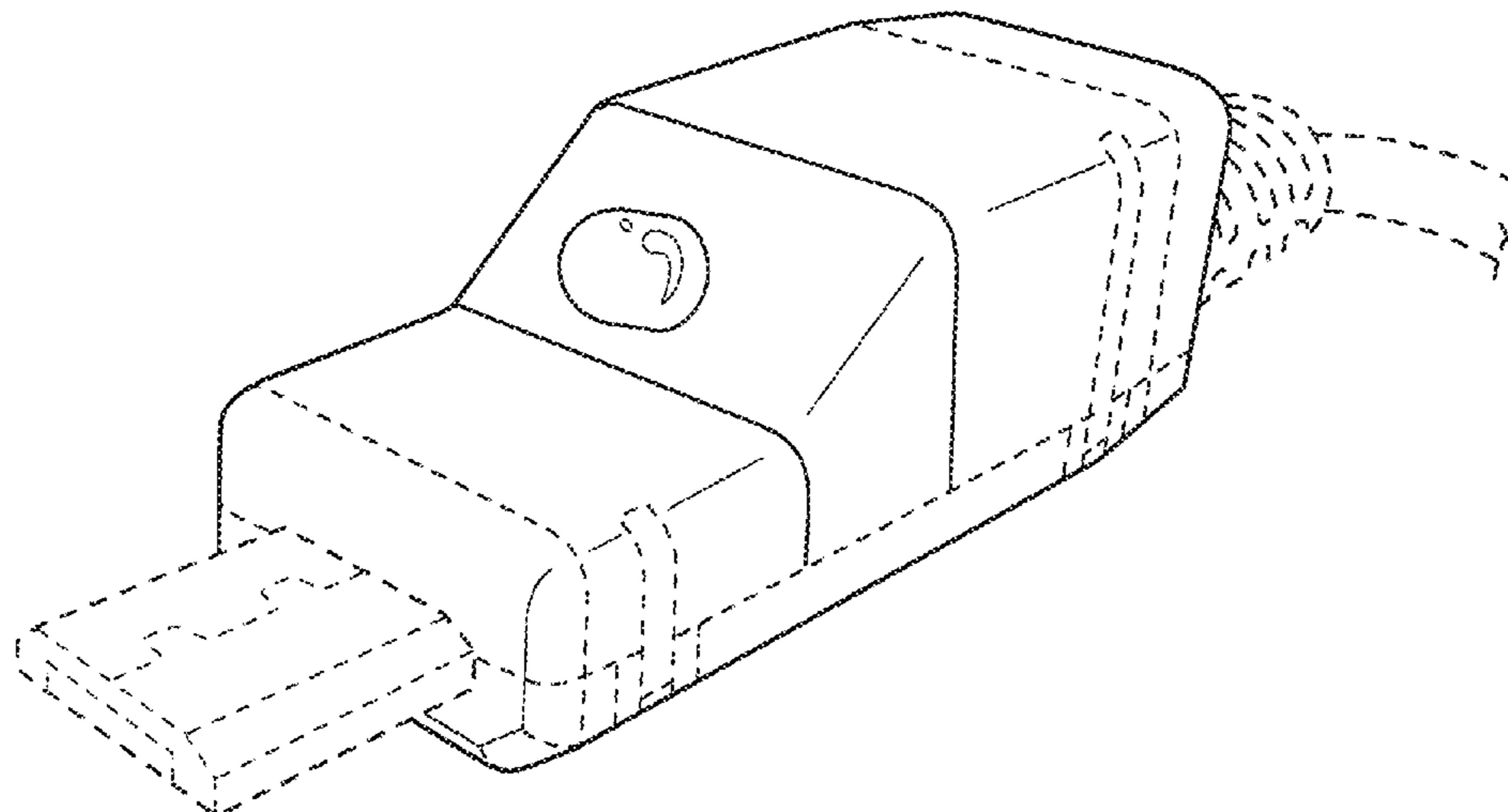
(57) **CLAIM**

The ornamental design for a lighted charger tip for a portable electronic device, as shown and described.

**DESCRIPTION**

FIG. 1 is a top view of a lighted charger tip for a portable electronic device showing my new design;  
 FIG. 2 is a bottom view of the lighted charger tip for a portable electronic device of FIG. 1;  
 FIG. 3 is a front view of the lighted charger tip for a portable electronic device of FIG. 1;  
 FIG. 4 is a rear view of the lighted charger tip for a portable electronic device of FIG. 1;  
 FIG. 5 is a right view of the lighted charger tip for a portable electronic device of FIG. 1;  
 FIG. 6 is a left view of the lighted charger tip for a portable electronic device of FIG. 1; and,  
 FIG. 7 is a perspective view of the lighted charger tip for a portable electronic device of FIG. 1.  
 The broken lines shown depict portions of the lighted charger tip for a portable electronic device that form no part of the claimed design.

**1 Claim, 7 Drawing Sheets**



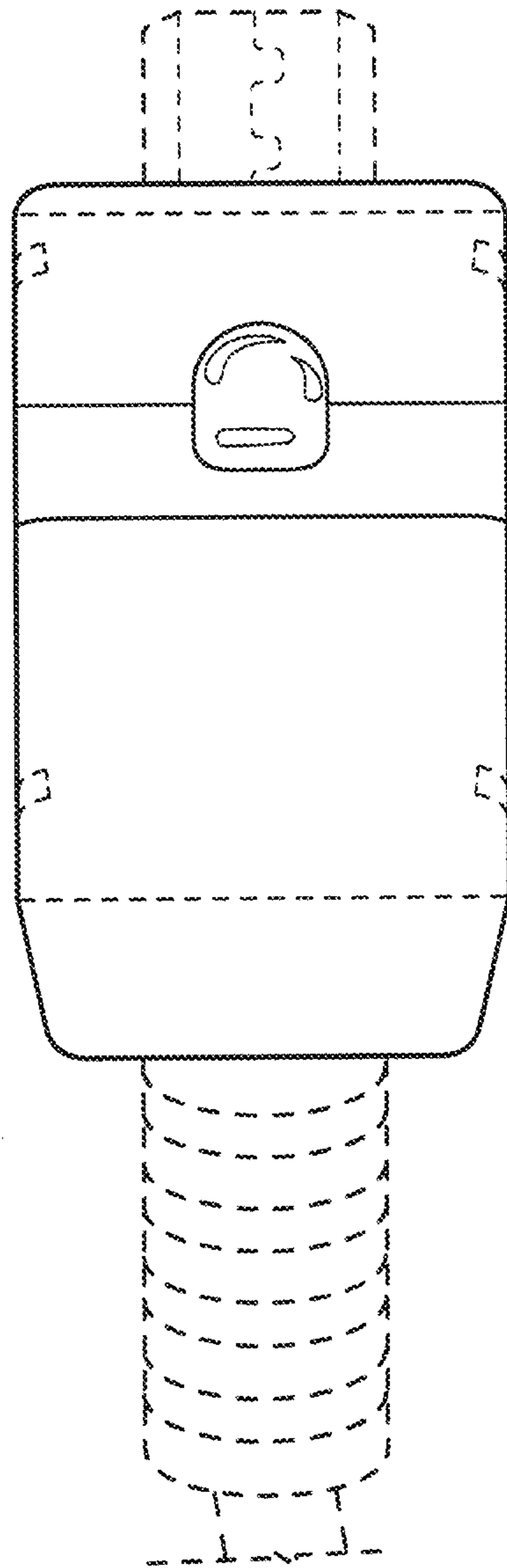


FIG. 1

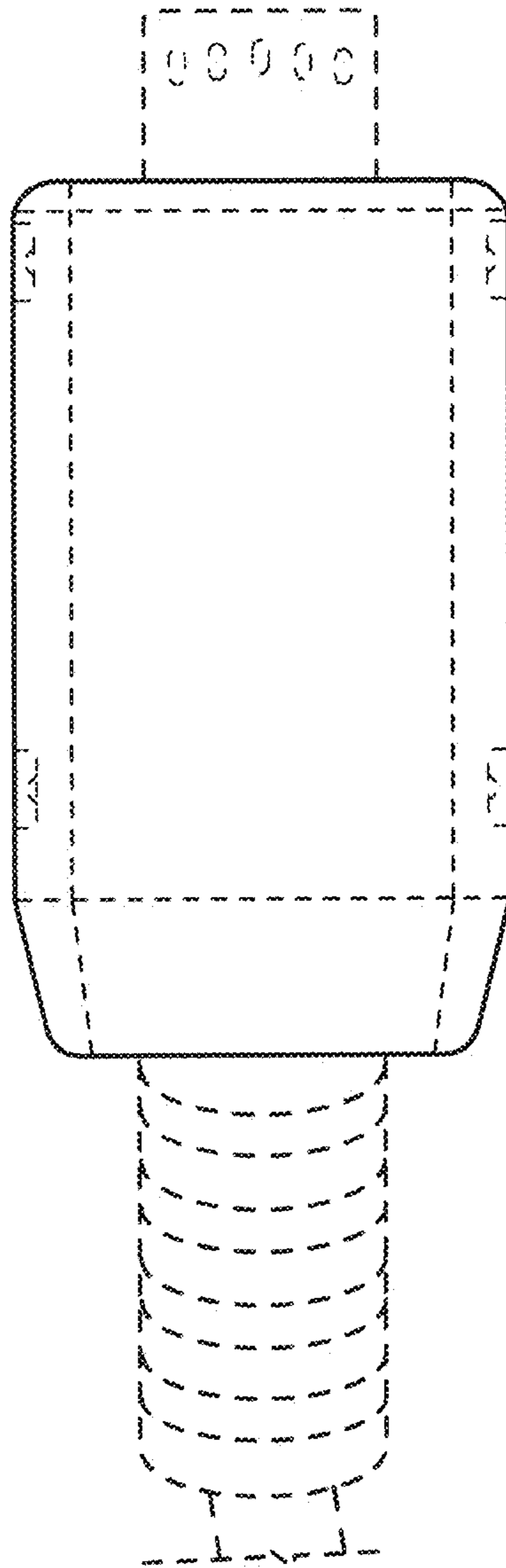


FIG. 2

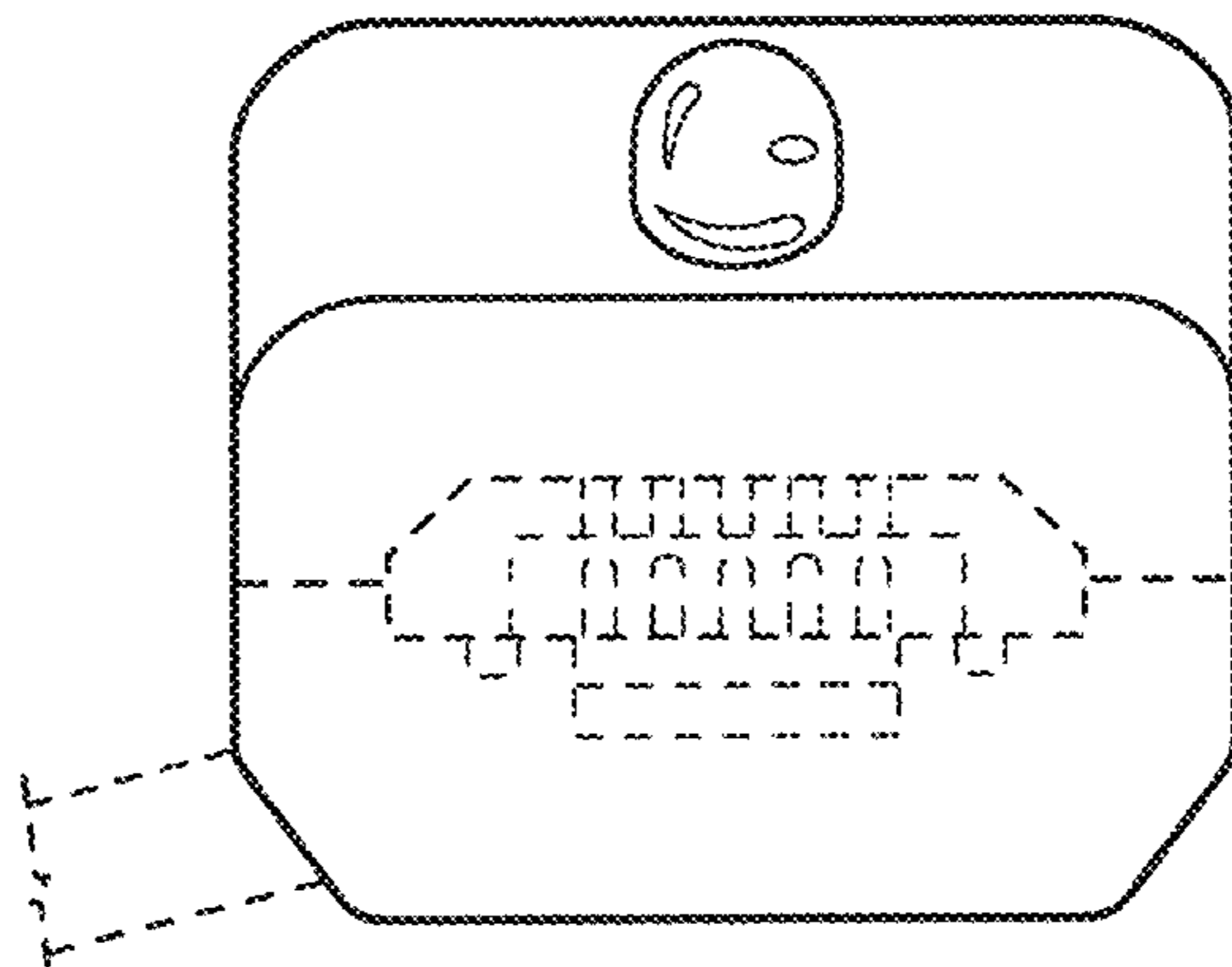


FIG. 3

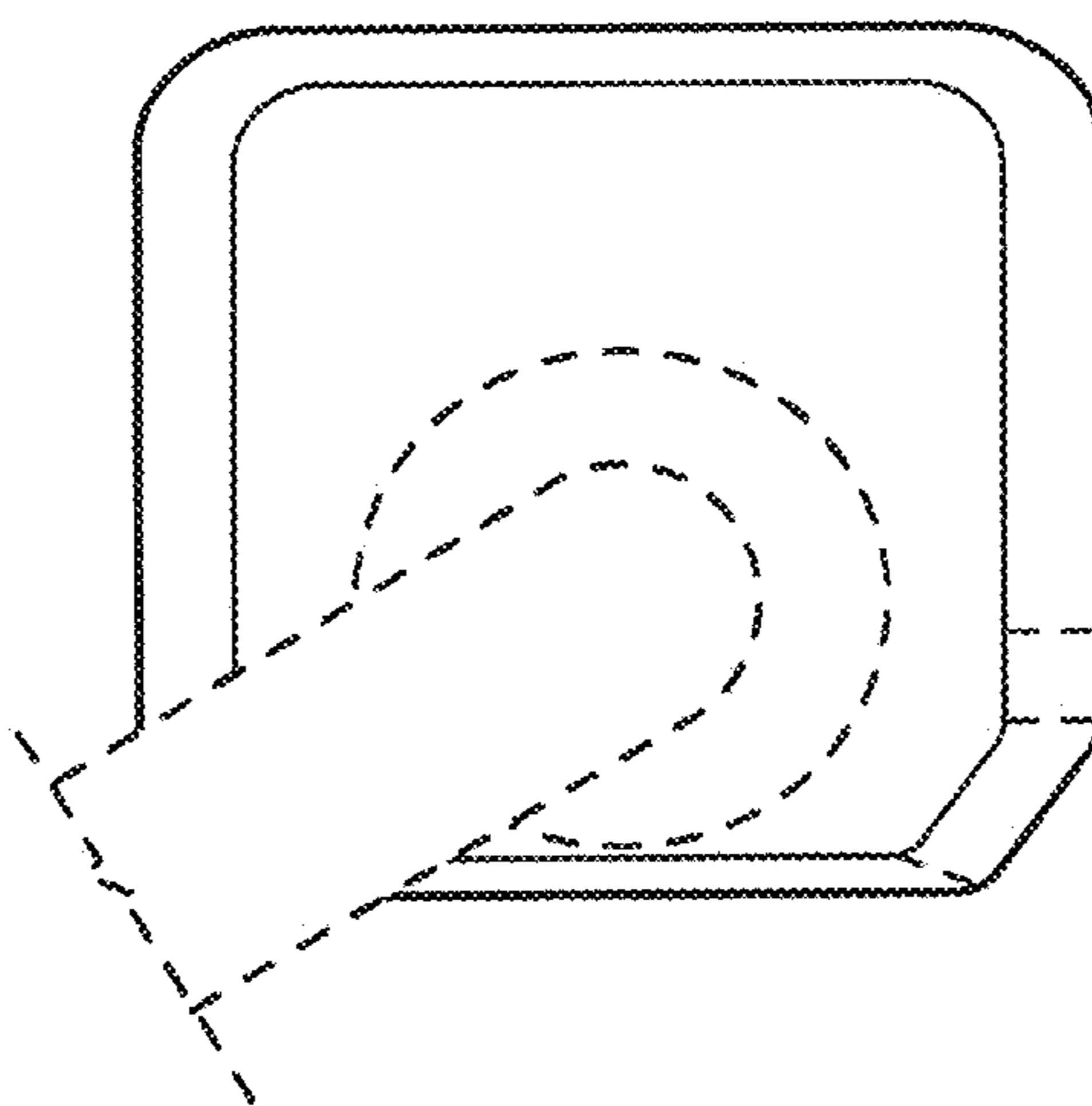


FIG. 4

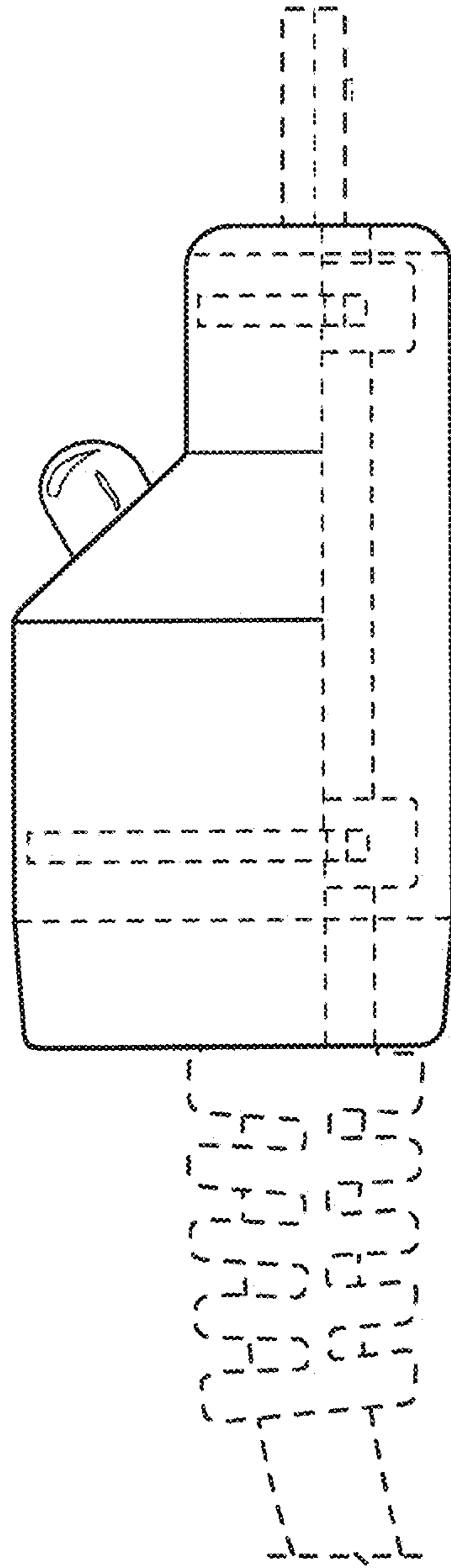


FIG. 5

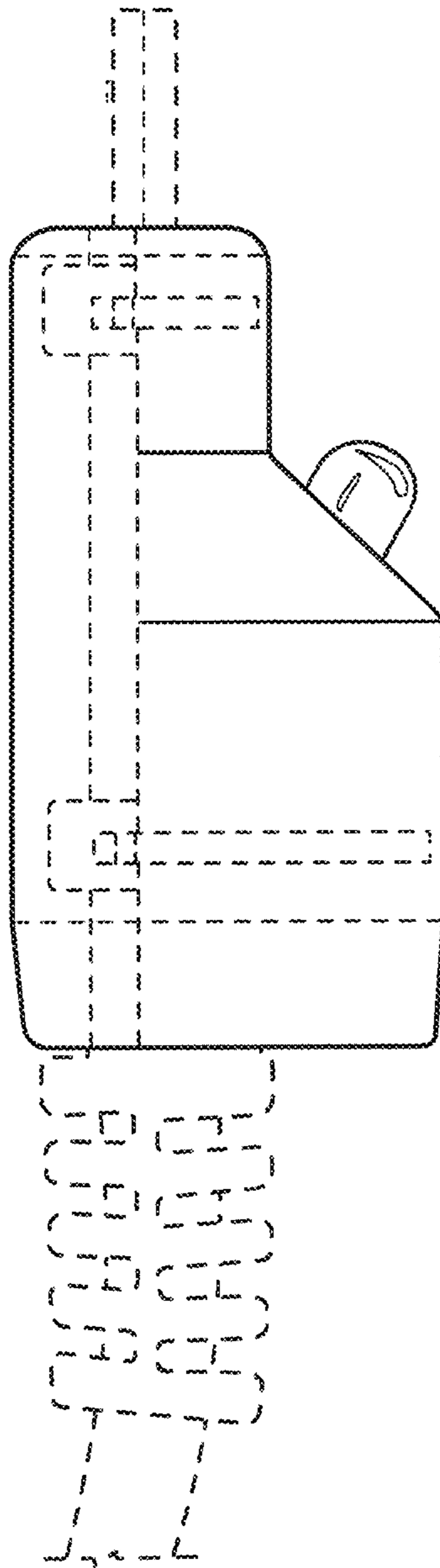


FIG. 6

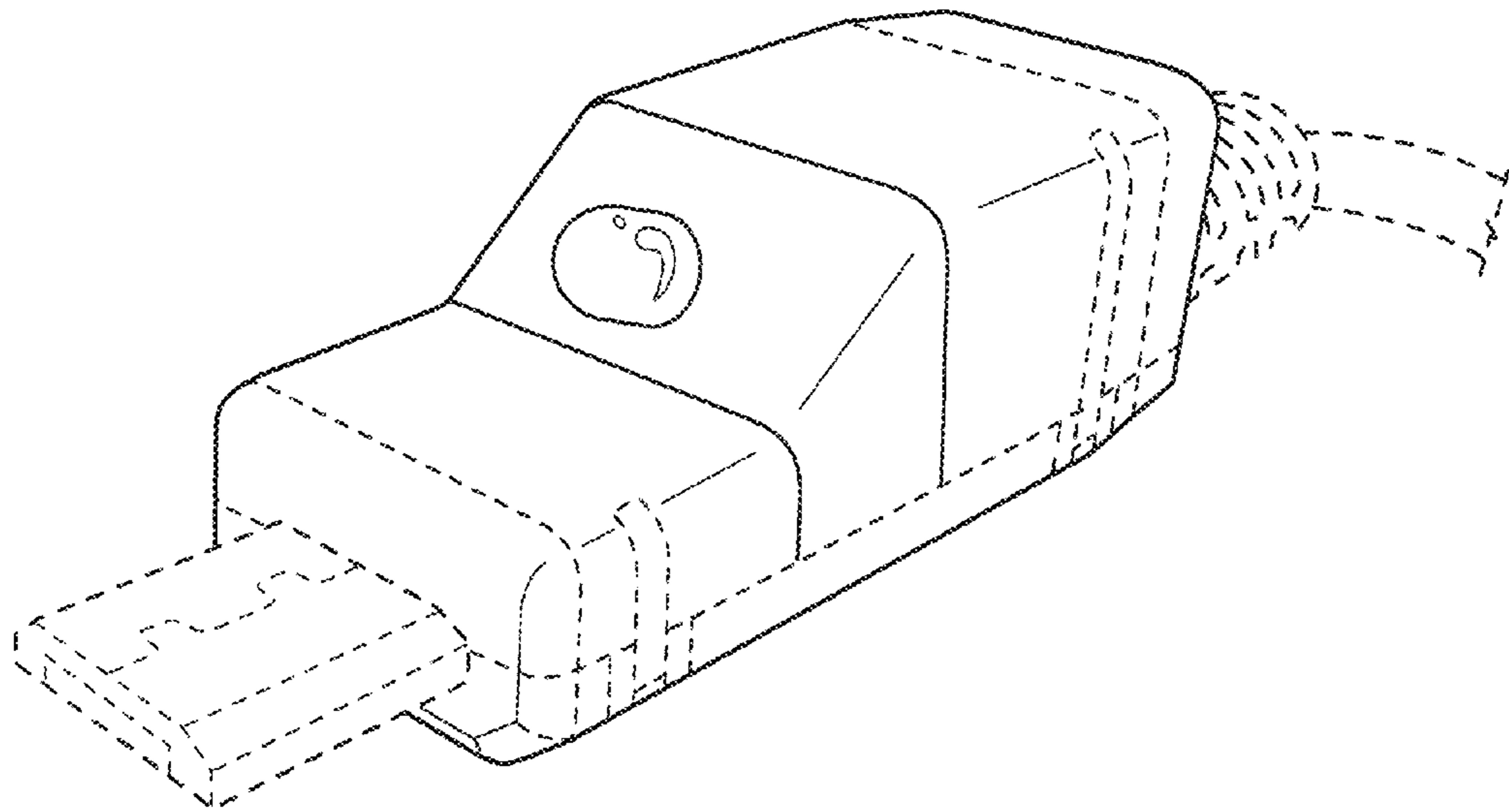


FIG. 7