



US00D730826S

(12) **United States Design Patent**
Moanack

(10) **Patent No.:** **US D730,826 S**
(45) **Date of Patent:** **** Jun. 2, 2015**

(54) **MULTIPLE ELECTRIC SOCKET**
(71) Applicant: **PUNKT TRONICS AG**, Lugano (CH)
(72) Inventor: **Georges Moanack**, Lugano (CH)
(73) Assignee: **PUNKT TRONICS AG**, Lugano (CH)
(**) Term: **14 Years**
(21) Appl. No.: **29/439,219**
(22) Filed: **Dec. 7, 2012**

(30) **Foreign Application Priority Data**
Sep. 6, 2012 (WO) DM 079 170
(51) **LOC (10) Cl.** **13-02**
(52) **U.S. Cl.**
USPC **D13/110; D13/155**
(58) **Field of Classification Search**
USPC D13/101, 103, 107, 108, 110, 133,
D13/139.1, 139.2, 139.8, 146, 147, 154,
D13/155, 156, 184, 199; D14/432, 433;
174/50, 56, 58, 66, 68.1; 439/105, 188,
439/527, 535, 650, 651, 652, 653, 654, 655
See application file for complete search history.

(56) **References Cited**
U.S. PATENT DOCUMENTS
D408,355 S * 4/1999 Welsh et al. D13/139.4
D481,357 S * 10/2003 Stekelenburg D13/139.8
6,805,581 B2 * 10/2004 Love 439/535

D521,941 S * 5/2006 Phung et al. D13/156
7,105,745 B2 * 9/2006 Drane et al. 174/67
D539,229 S * 3/2007 Murphey D13/155
D556,492 S * 12/2007 Diz D6/632
D588,064 S * 3/2009 Garner et al. D13/133
D596,570 S * 7/2009 Spivey D13/133
D629,366 S * 12/2010 Ericson et al. D13/156
D640,199 S * 6/2011 Wilson D13/139.7

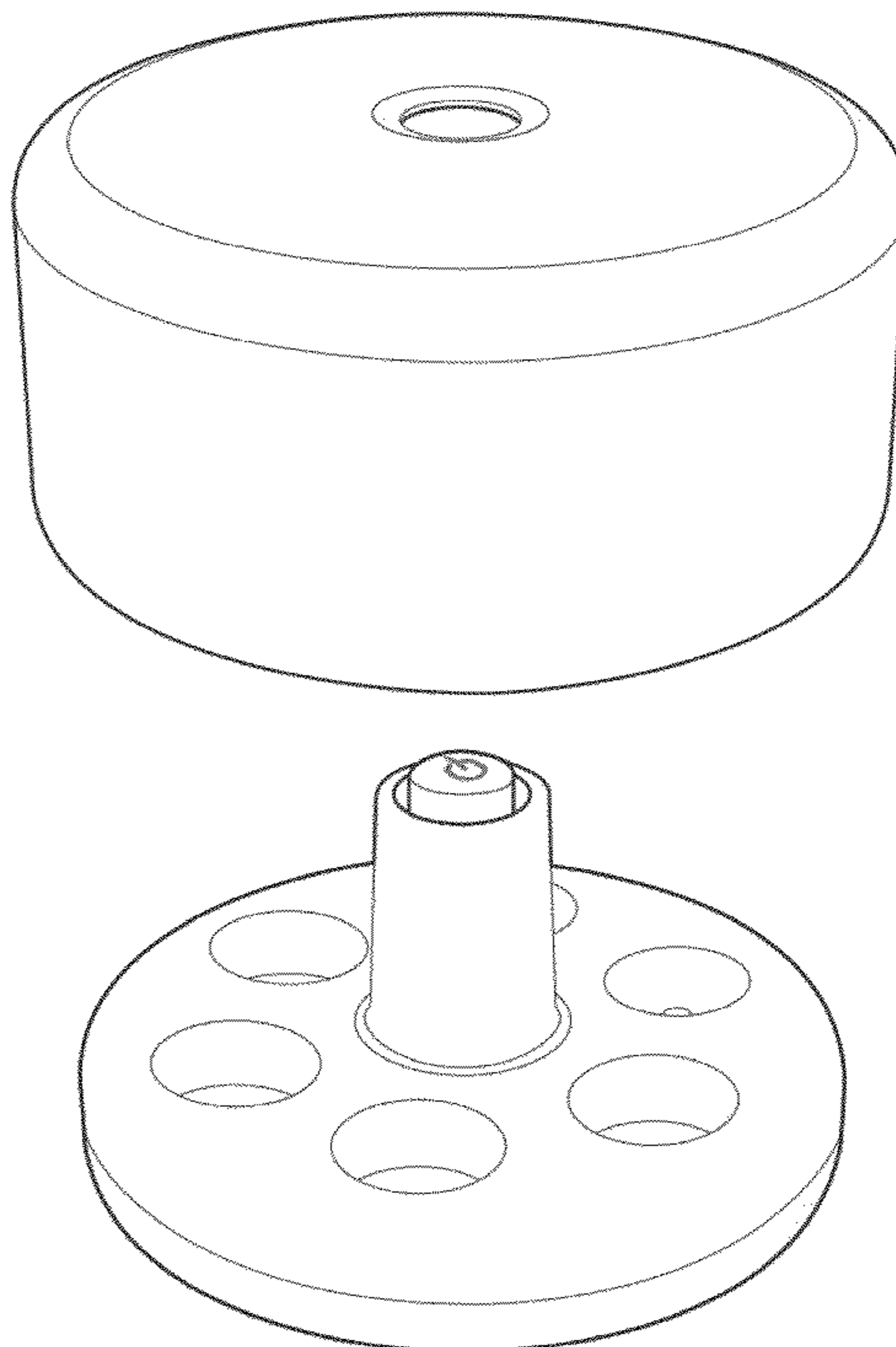
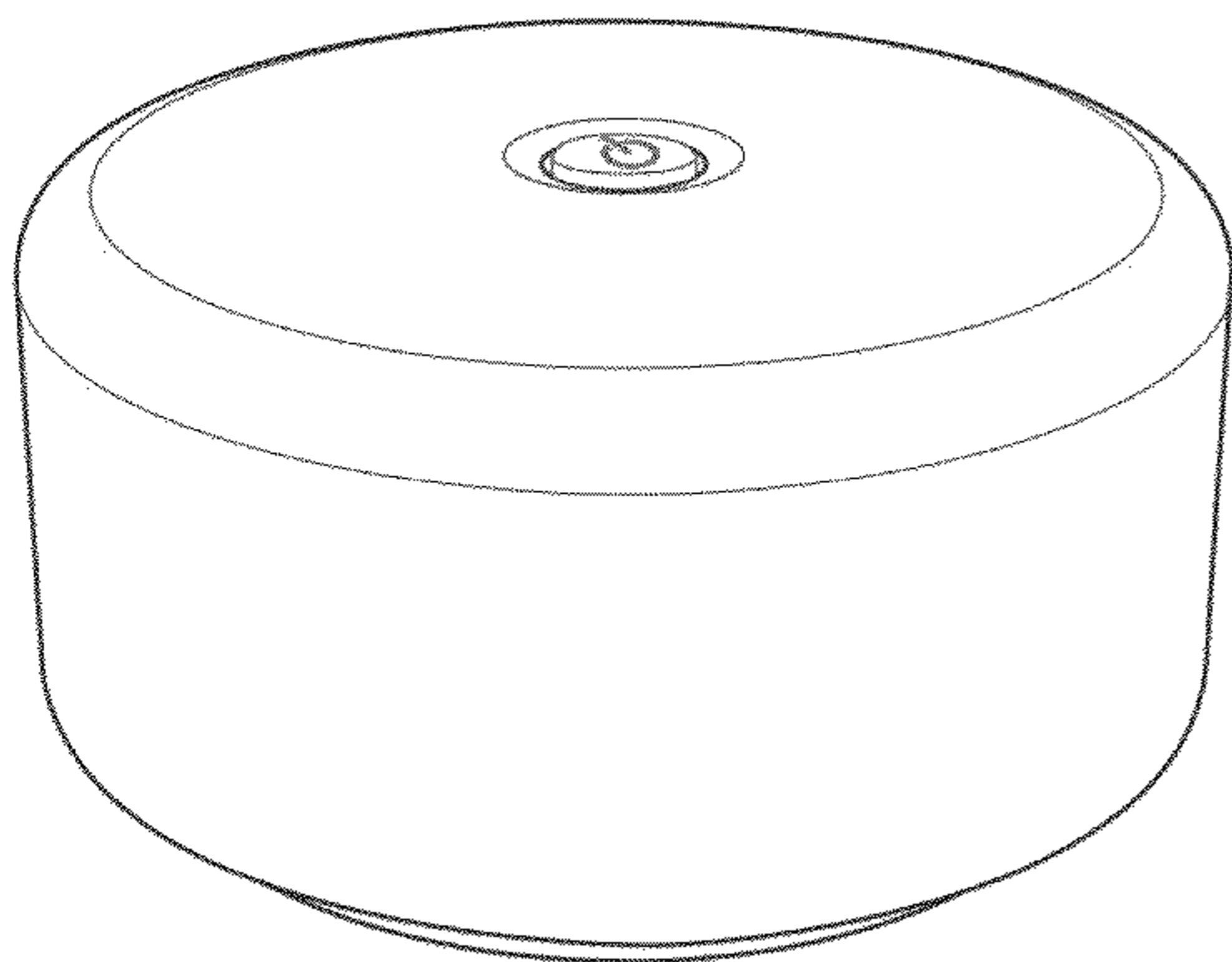
* cited by examiner
Primary Examiner — Derrick Holland
(74) *Attorney, Agent, or Firm* — Young & Thompson

(57) **CLAIM**
The ornamental design for a multiple electric socket, as shown and described.

DESCRIPTION

FIG. 1 is an exploded top perspective view of an embodiment of a multiple electric socket showing my new design; FIG. 2 is a second embodiment of a multiple electric socket showing my new design; FIG. 3 is an exploded top perspective view thereof; FIG. 4 is a bottom plan view thereof; FIG. 5 is a side elevation view thereof; FIG. 6 is a top plan view thereof; and, FIG. 7 is a side elevation view thereof, with the top portion removed for ease of illustration. The broken lines shown represent unclaimed subject matter and form no part of the claimed design.

1 Claim, 7 Drawing Sheets



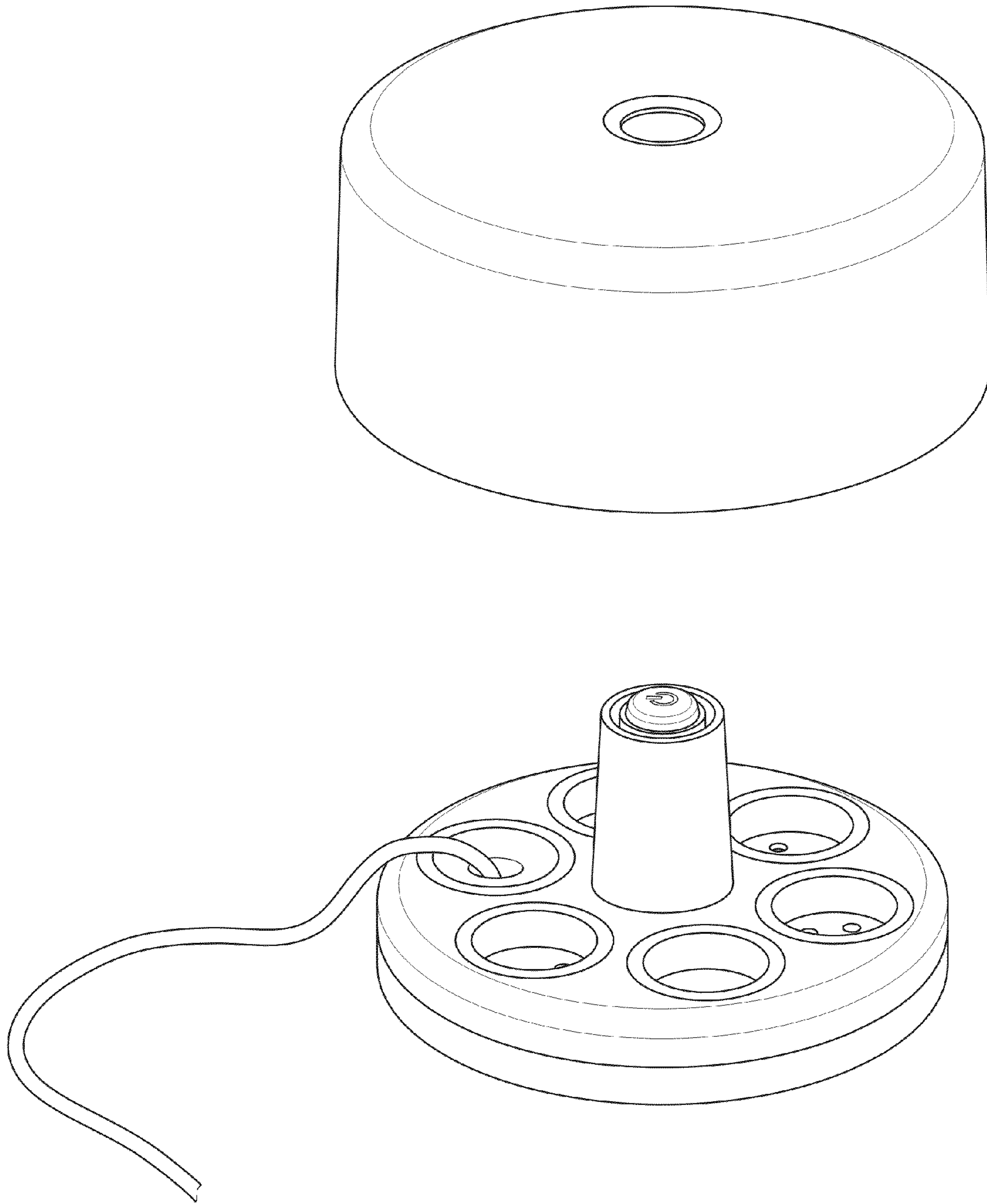


FIG.1

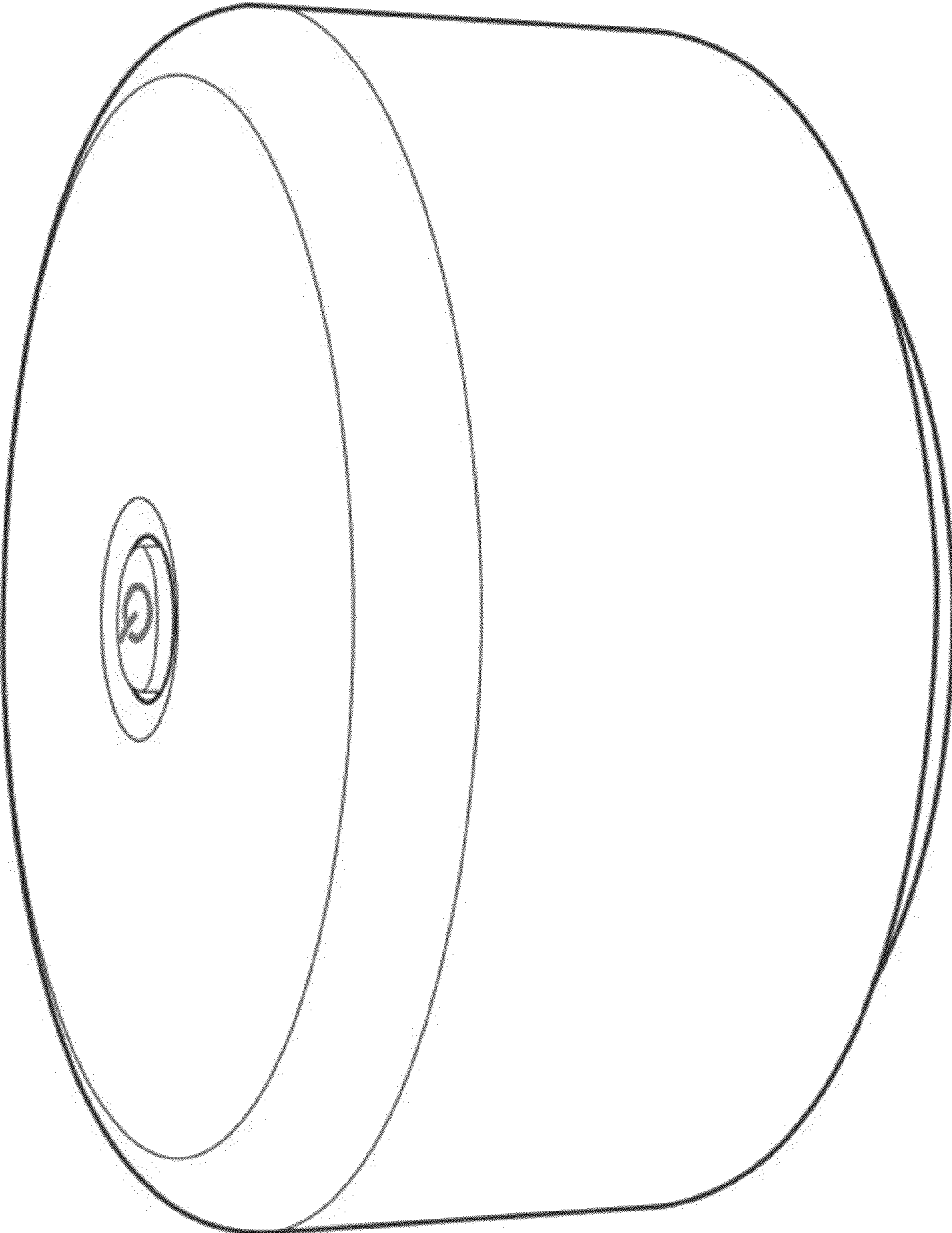


FIG.2

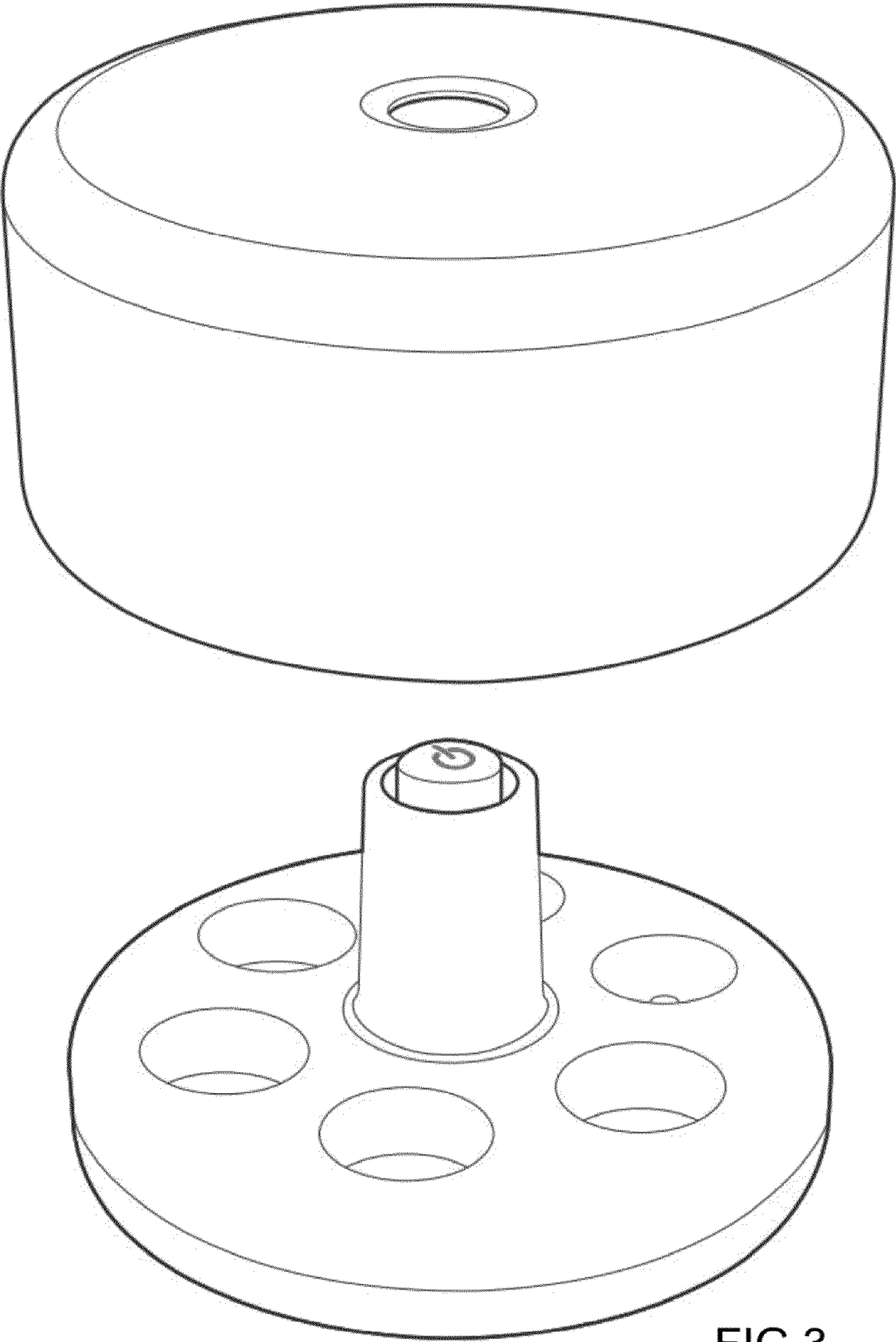


FIG.3

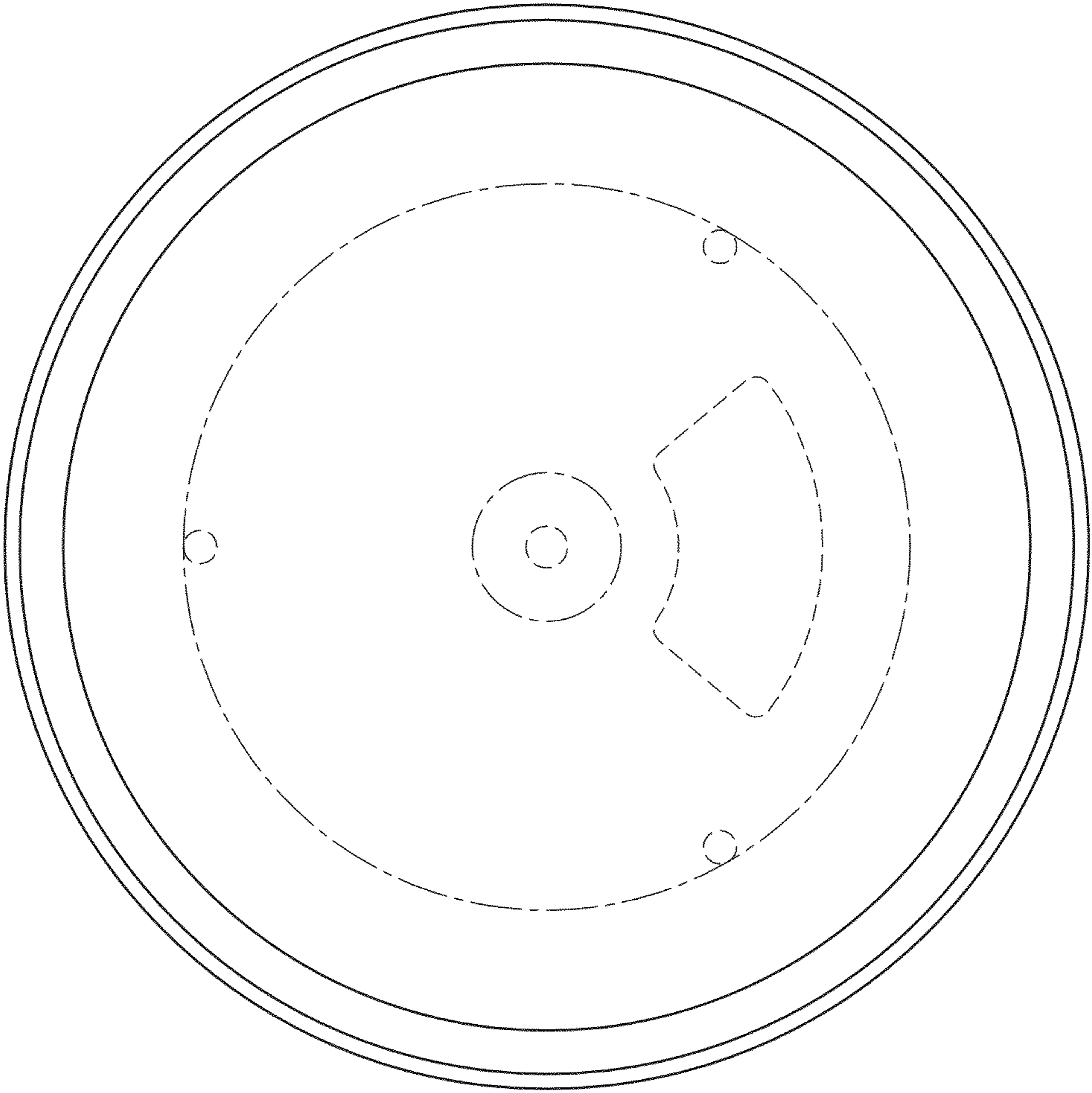


FIG.4

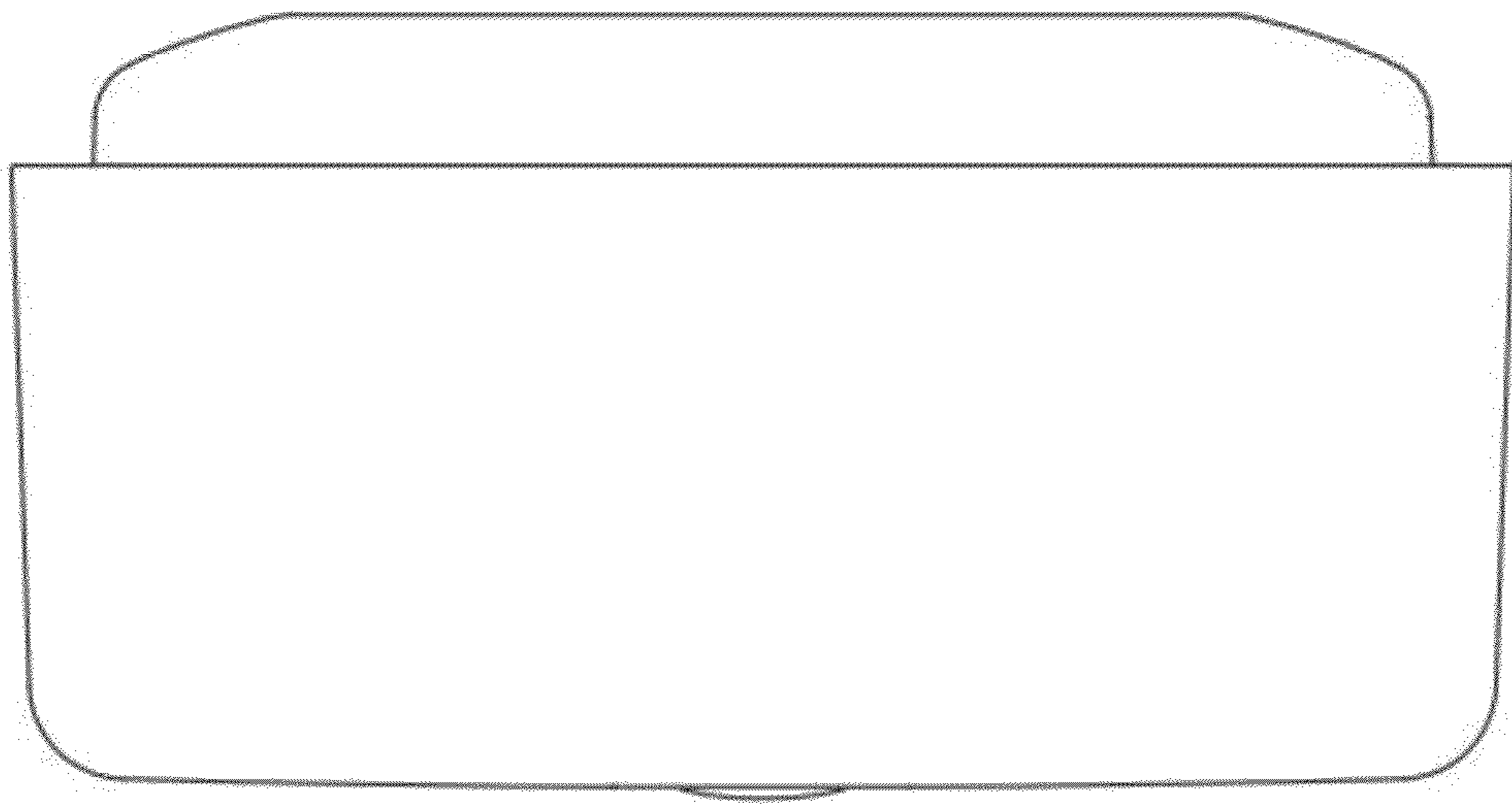


FIG.5

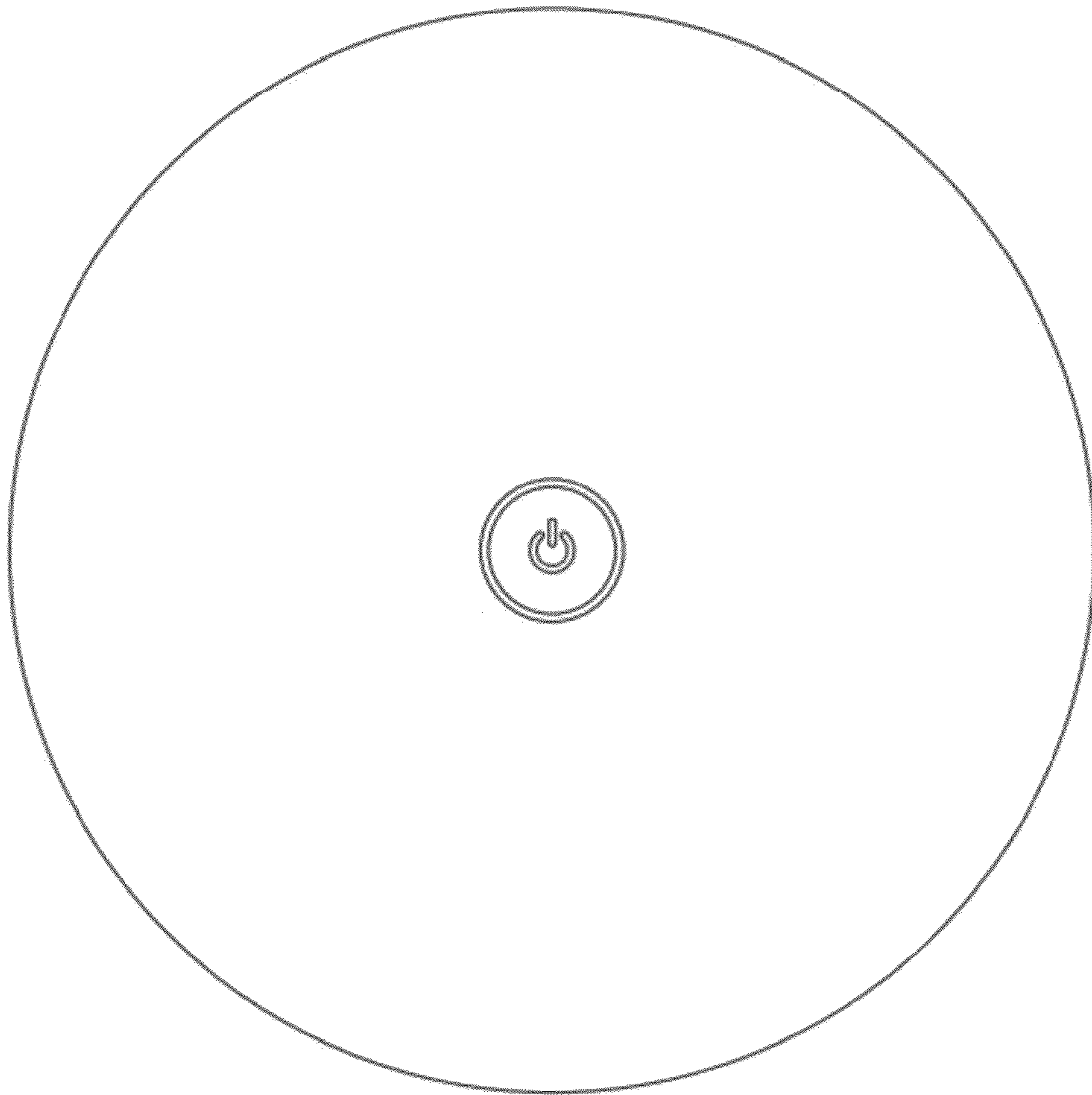


FIG.6

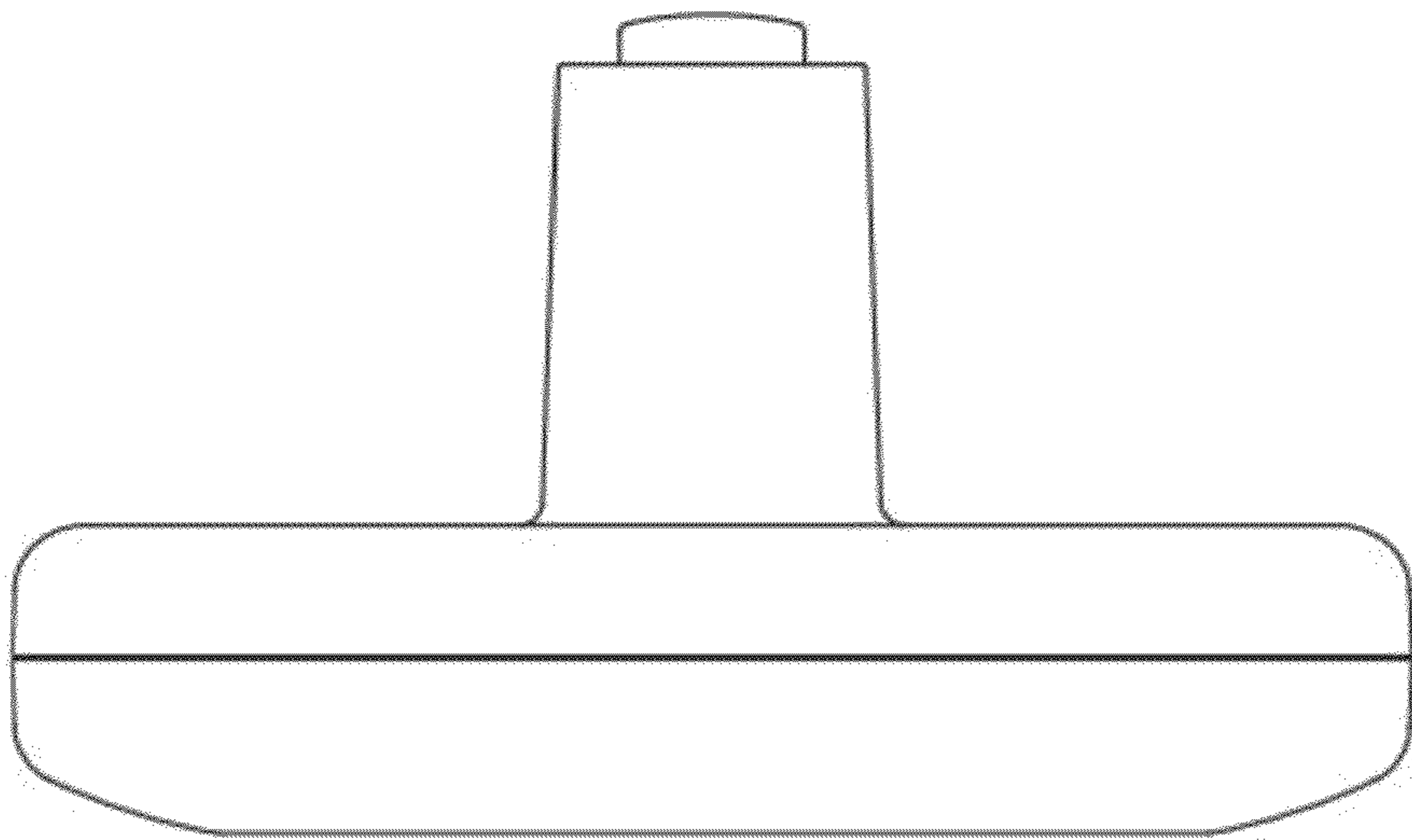


FIG. 7