

US00D730825S

(12) **United States Design Patent**
Wang et al.

(10) **Patent No.:** **US D730,825 S**
(45) **Date of Patent:** **** Jun. 2, 2015**

(54) **CHARGER FOR ELECTRONIC DEVICES**

(71) Applicant: **Aver Information Inc.**, New Taipei (TW)

(72) Inventors: **Yu-Jung Wang**, New Taipei (TW);
Yu-Ching Liao, New Taipei (TW)

(73) Assignee: **Aver Information Inc.**, New Taipei (TW)

(**) Term: **14 Years**

(21) Appl. No.: **29/483,205**

(22) Filed: **Feb. 26, 2014**

(30) **Foreign Application Priority Data**

Jan. 27, 2014 (TW) 103300507

(51) **LOC (10) Cl.** **13-02**

(52) **U.S. Cl.**
USPC **D13/109**

(58) **Field of Classification Search**
USPC D13/107-110, 118-119, 184, 199;
D15/9; 320/103-115
CPC Y02E 60/12; Y02T 90/14; Y02T 90/122;
Y02T 90/128; Y02T 90/163; Y02T 10/7005;
Y02T 10/705; Y02T 10/7088; H02J 7/025;
H02J 7/0034; H02J 7/0042; H02J 7/0044;
H02J 7/0045; H02J 7/0054; H02J 7/1423;
H02J 7/0003; H02J 2001/006; H01F 38/14;
H01R 13/6675; H01M 2/1022; H01M 2/1055;
H01M 10/44; H01M 10/46; H01M 10/425;
B60L 11/182

See application file for complete search history.

(56) **References Cited**

U.S. PATENT DOCUMENTS

D129,408	S	*	9/1941	Christie	D13/109
D163,645	S	*	6/1951	Shuler et al.	D13/109
2,565,273	A	*	8/1951	Shuler et al.	320/105
D203,826	S	*	2/1966	Allen et al.	D6/448
D272,304	S	*	1/1984	Palermo et al.	D6/432
D341,961	S	*	12/1993	Howden	D6/448
D367,652	S	*	3/1996	Beaumont	D14/140.3
D428,605	S	*	7/2000	Claprod et al.	D13/184
D429,687	S	*	8/2000	Steiner et al.	D13/110
D432,098	S	*	10/2000	Nelson et al.	D13/184
D455,398	S	*	4/2002	Frank et al.	D13/110
D475,680	S	*	6/2003	Krieger et al.	D13/109
D687,774	S	*	8/2013	Moore et al.	D13/109
2004/0121225	A1	*	6/2004	Krieger et al.	429/96
2007/0188130	A1	*	8/2007	Scheucher	320/110
2012/0242277	A1	*	9/2012	Flemming	320/104

* cited by examiner

Primary Examiner — Rosemary K Tarcza

(74) *Attorney, Agent, or Firm* — The Weintraub Group, P.L.C.

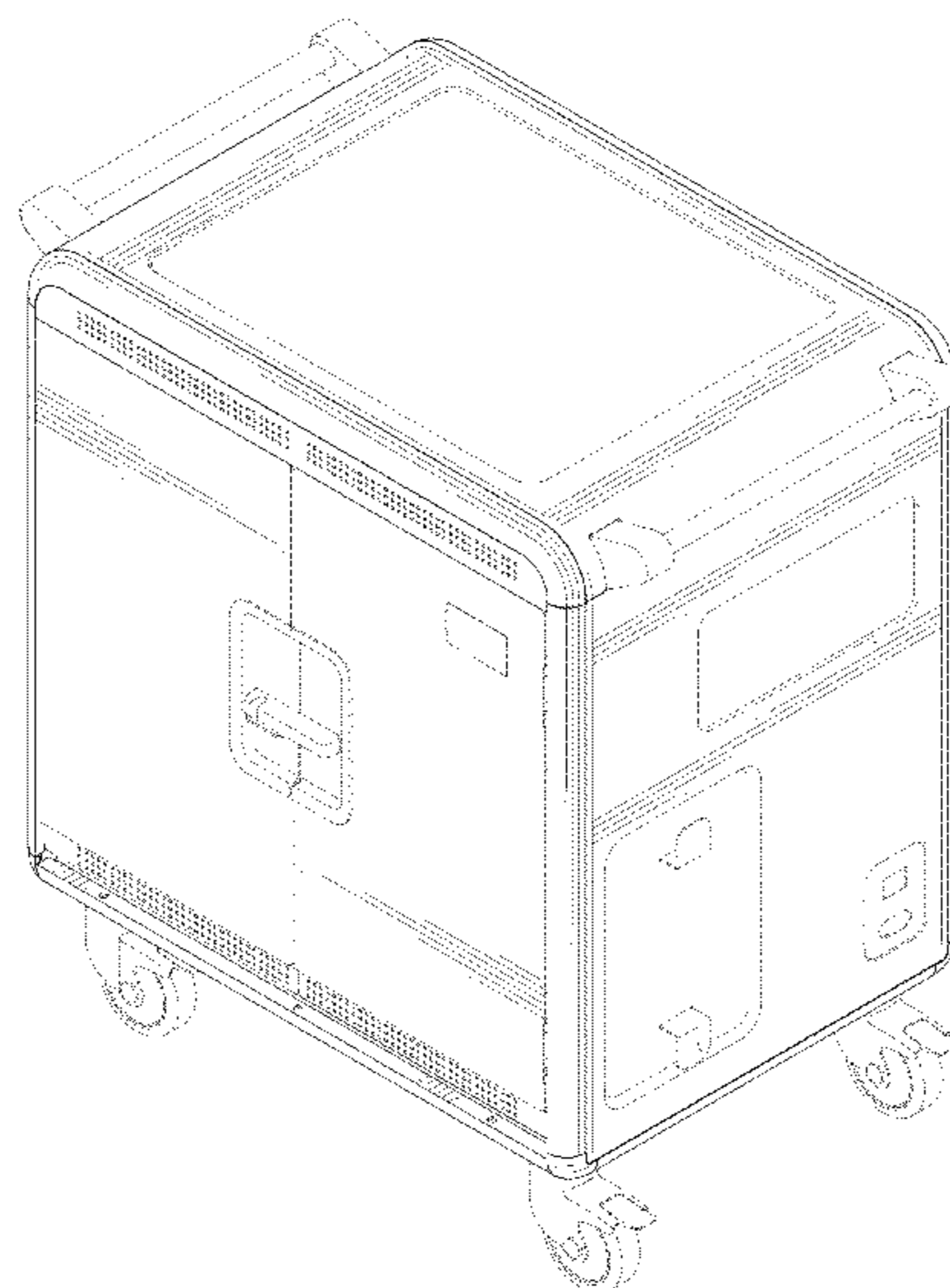
(57) **CLAIM**

The ornamental design for a charger for electronic devices, as shown and described.

DESCRIPTION

FIG. 1 is a perspective view of a charger for electronic devices showing our new design;
FIG. 2 is a front view thereof;
FIG. 3 is a rear view thereof;
FIG. 4 is a left view thereof;
FIG. 5 is a right view thereof;
FIG. 6 is a top view thereof;
FIG. 7 is a bottom view thereof; and,
FIG. 8 is another perspective view thereof.
The portions of the Figures shown in broken lines are shown for illustrative purposes only and form no part of the claimed design.

1 Claim, 7 Drawing Sheets



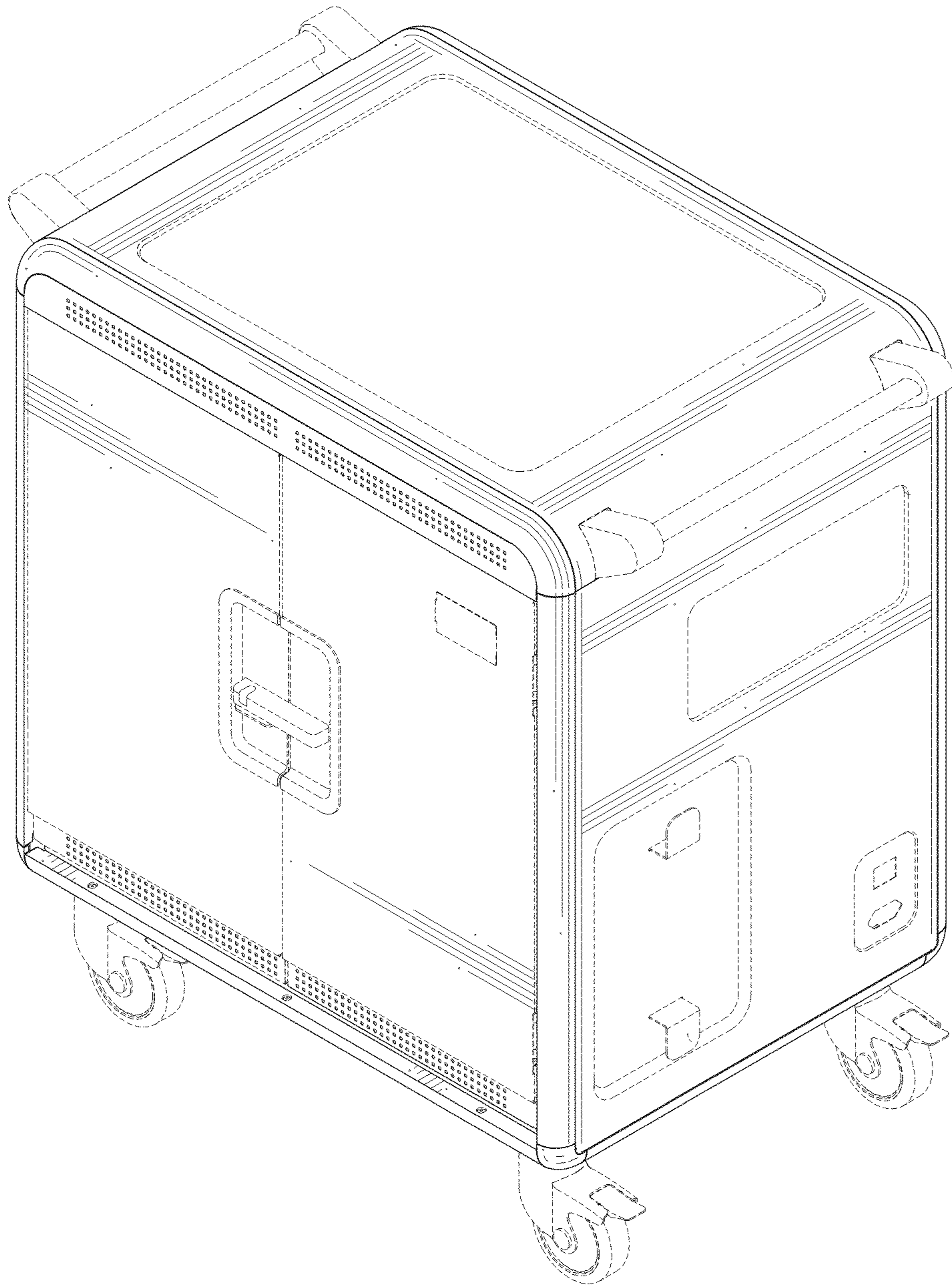


FIG.1

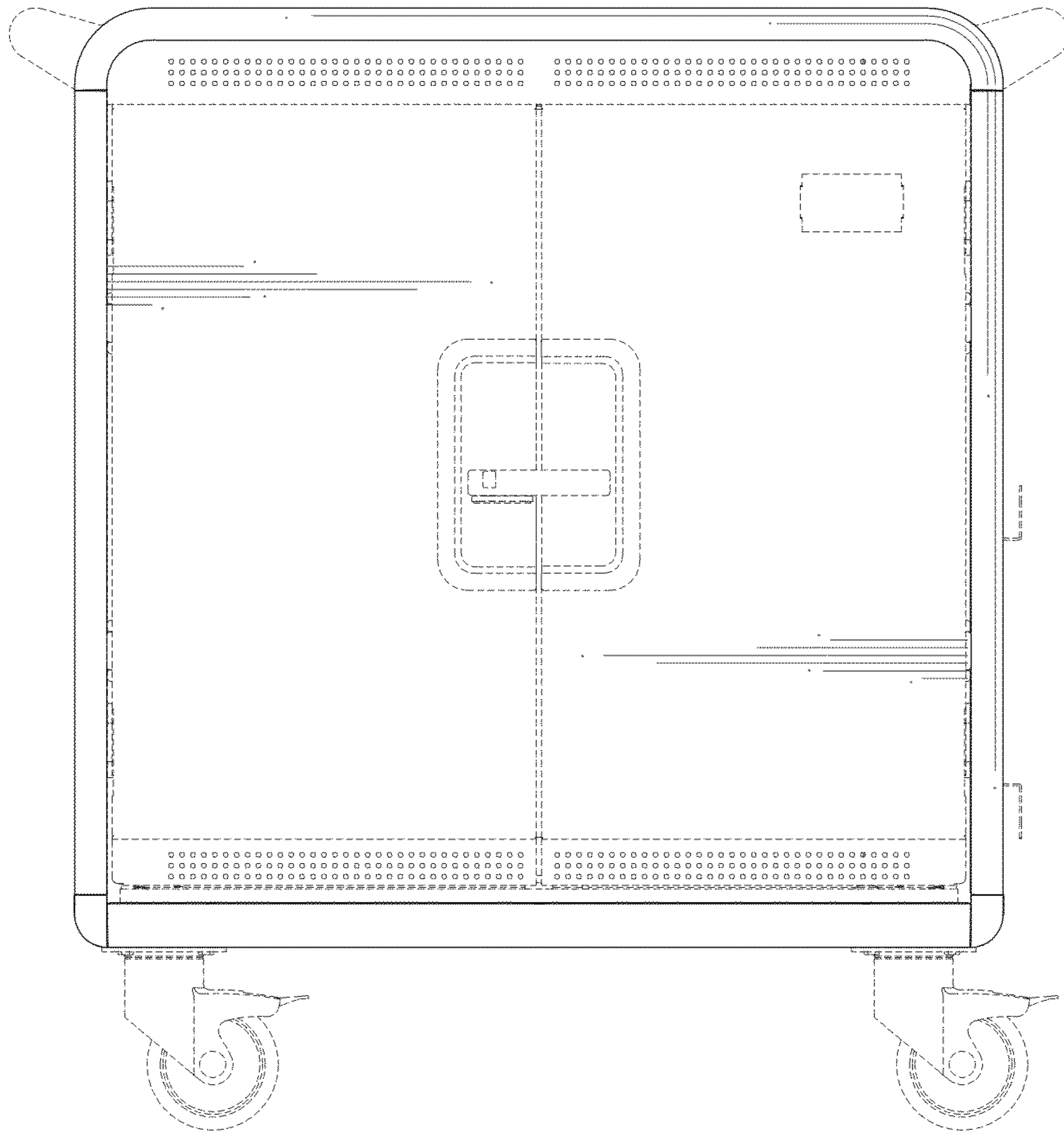


FIG.2

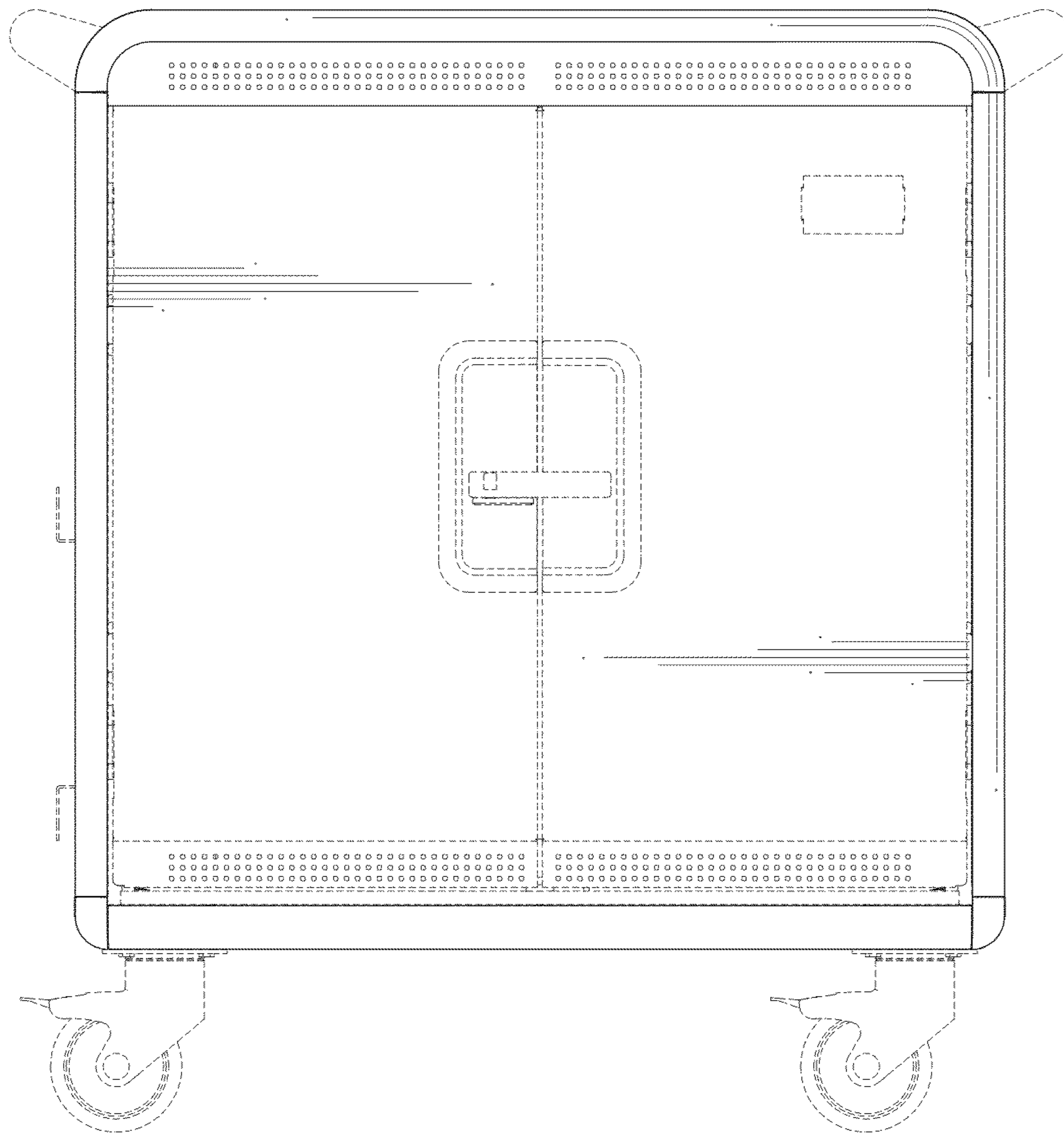


FIG.3

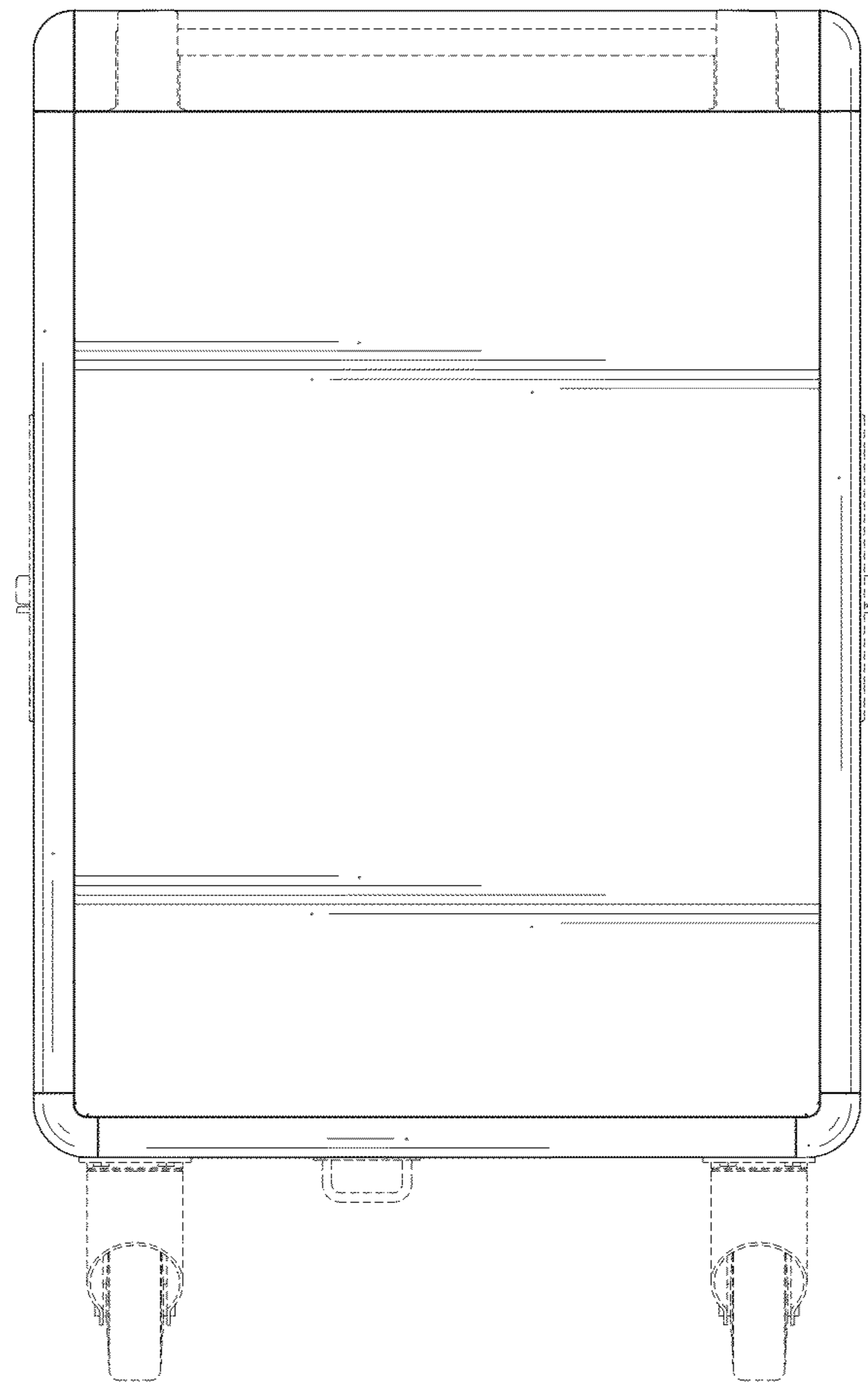


FIG.4

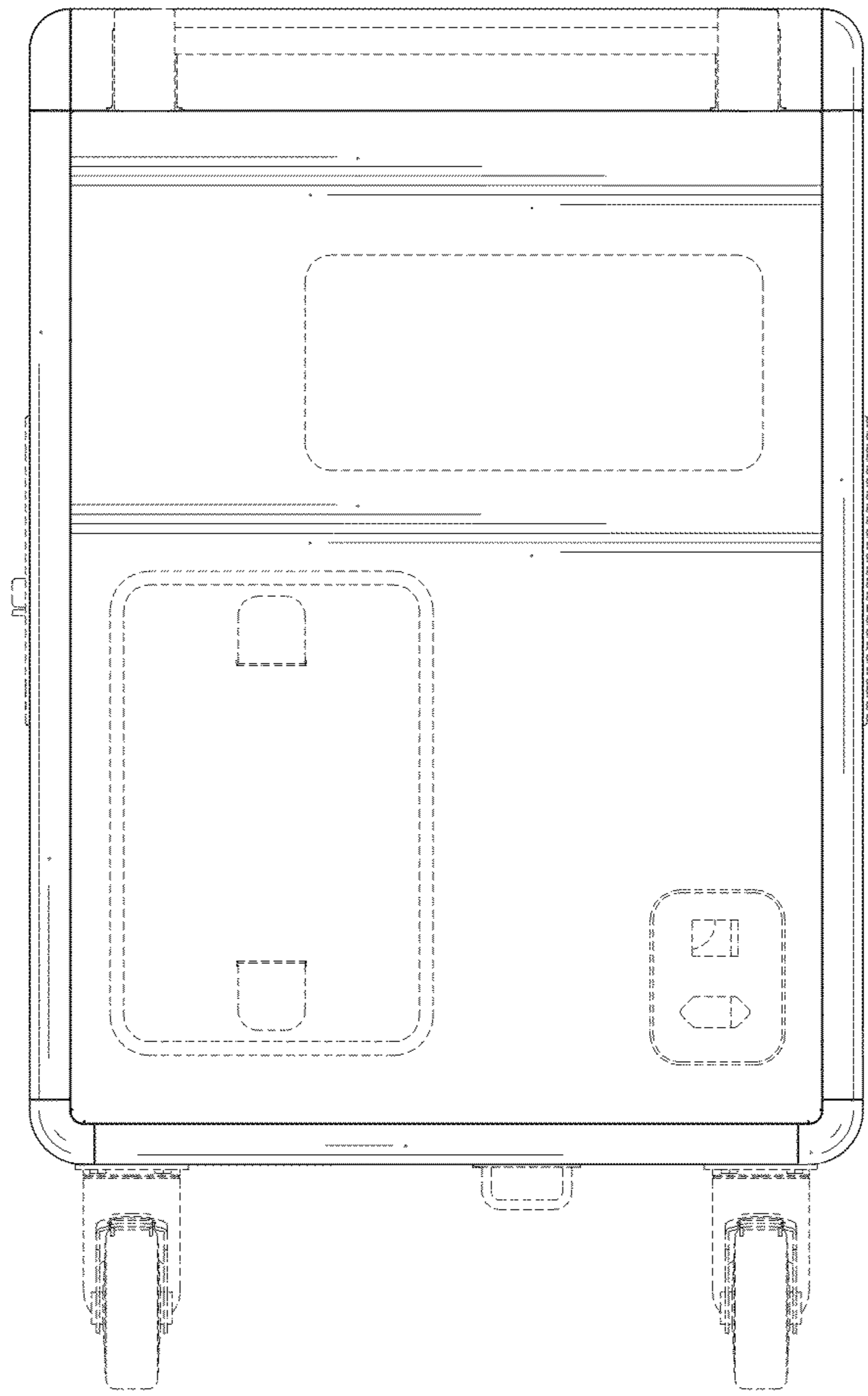


FIG.5

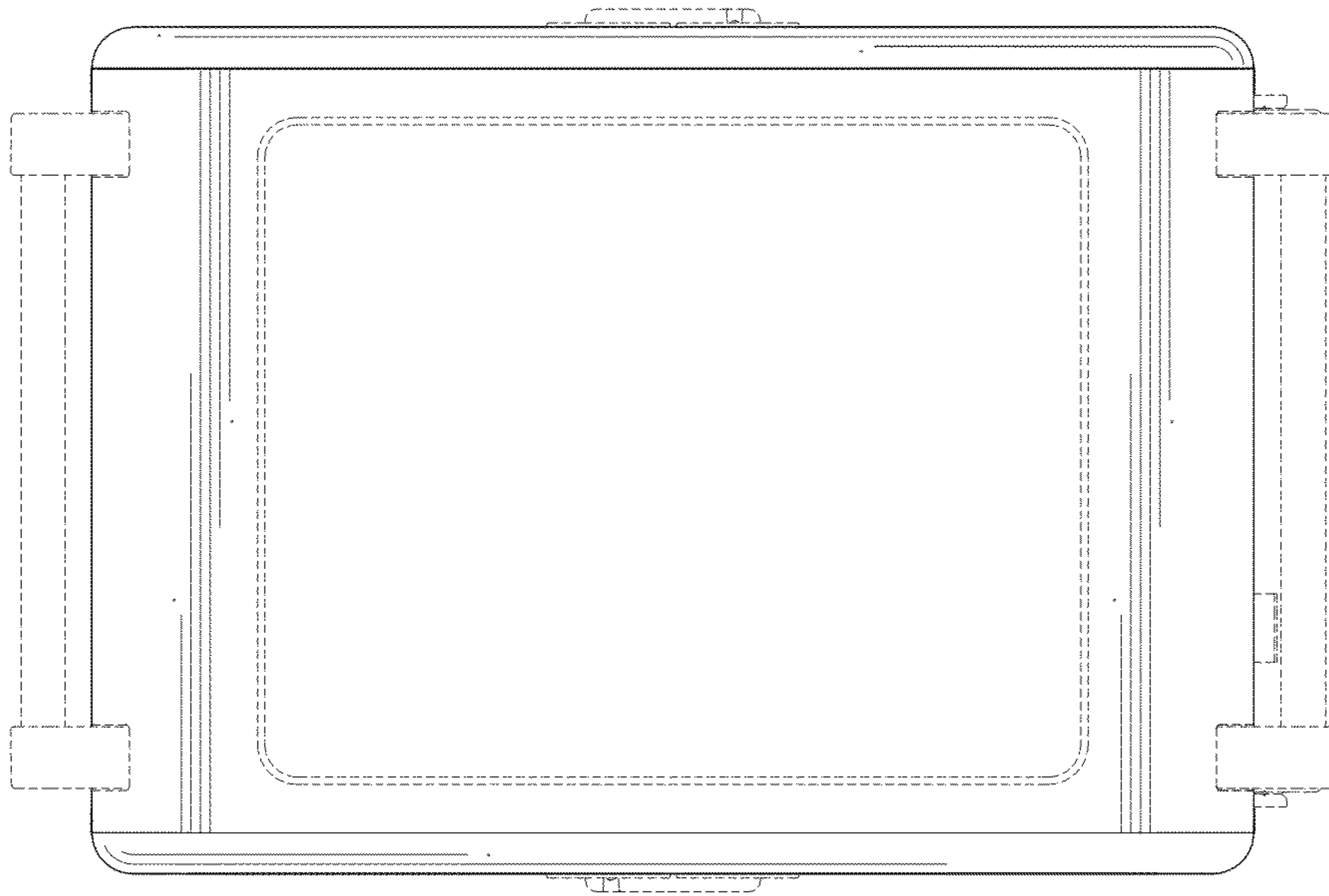


FIG.6

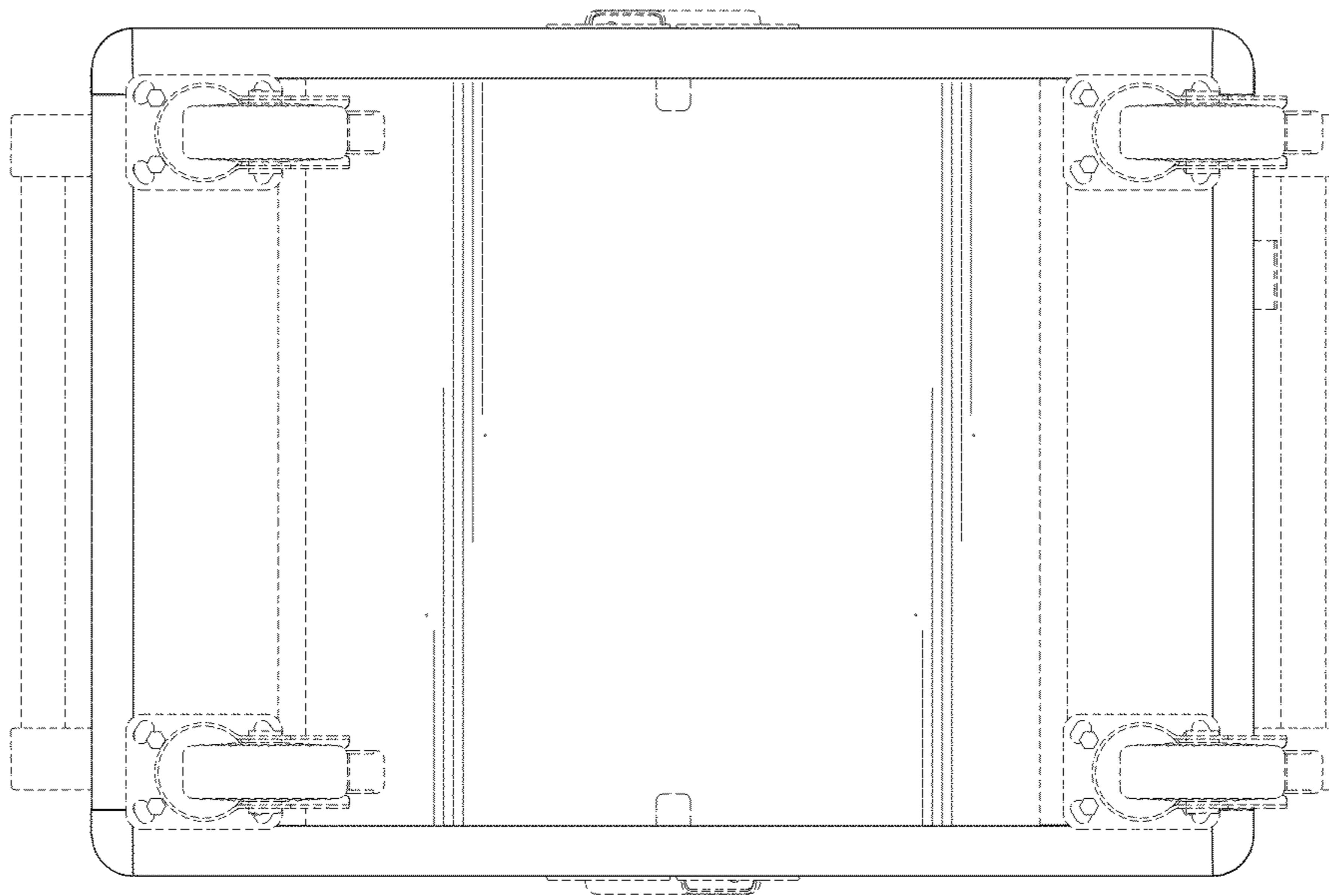


FIG.7

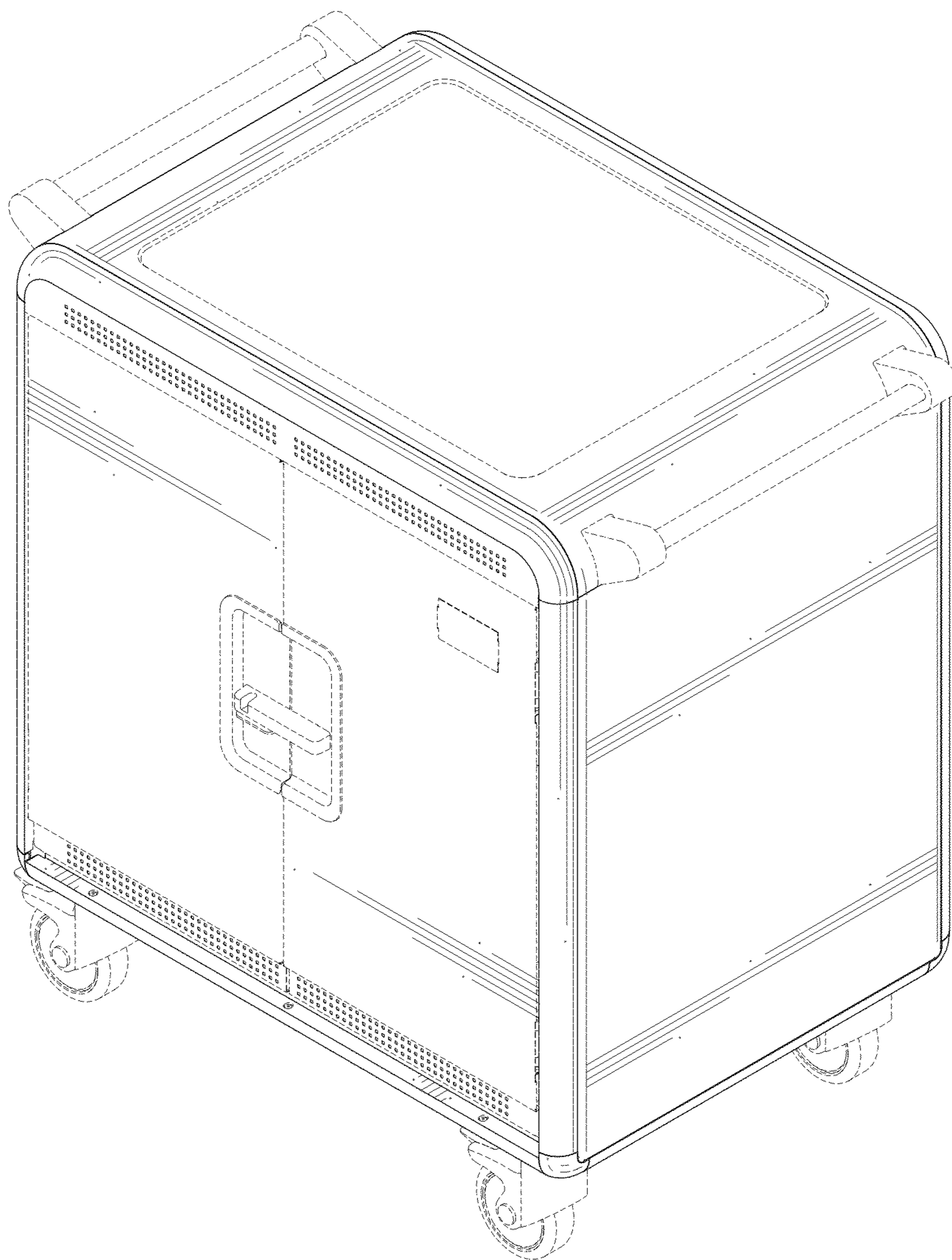


FIG.8