

US00D730824S

(12) **United States Design Patent**
Palmer et al.

(10) **Patent No.:** **US D730,824 S**
(45) **Date of Patent:** **** Jun. 2, 2015**

(54) **CLIPPER CHARGING BASE**
(71) Applicant: **Medline Industries, Inc.**, Mundelein, IL (US)
(72) Inventors: **Bradley Palmer**, Chicago, IL (US);
Chenglin Zheng, Henan Province (CN)
(73) Assignee: **MEDLINE INDUSTRIES, INC.**,
Mundelein, IL (US)

D489,322 S 5/2004 Sawai et al.
D510,905 S 10/2005 Thirouin
D511,492 S 11/2005 Allende Fritsch
D525,193 S * 7/2006 Vu D13/108
D549,232 S * 8/2007 Li et al. D14/447
D559,485 S * 1/2008 Fjellman D32/31
D566,898 S 4/2008 Hara
D567,446 S 4/2008 Hara et al.
D572,188 S 7/2008 Prat-Pfister
D597,939 S 8/2009 Tkachuk
D624,919 S * 10/2010 Bull D14/434

(Continued)

(**) Term: **14 Years**

FOREIGN PATENT DOCUMENTS

(21) Appl. No.: **29/471,207**

EP 1932633 B1 3/2010

(22) Filed: **Oct. 29, 2013**

Primary Examiner — Rosemary K Tarcza

Related U.S. Application Data

(74) *Attorney, Agent, or Firm* — McAndrews Held & Malloy, Ltd.

(63) Continuation of application No. 29/446,413, filed on Feb. 22, 2013, now Pat. No. Des. 692,376.

(51) **LOC (10) Cl.** **13-02**

(52) **U.S. Cl.**

USPC **D13/108**

(58) **Field of Classification Search**

USPC D13/107–110, 118–119, 184; D14/251, D14/253, 432, 434; 320/107–115

CPC Y02E 60/12; Y02T 90/14; Y02T 90/122; Y02T 90/128; Y02T 90/163; H02J 7/025; H02J 7/0042; H02J 7/0044; H02J 7/0045; H02J 7/0003; H01F 38/14; H01R 13/6675; H01M 2/1022; H01M 2/1055; H01M 10/44; H01M 10/46; H01M 10/425; B60L 11/182

See application file for complete search history.

(56) **References Cited**

U.S. PATENT DOCUMENTS

D197,208 S 12/1963 Cassidy et al.
D342,345 S 12/1993 Yonezawa
D416,536 S 11/1999 Ross et al.
D455,397 S * 4/2002 Weiner et al. D13/108

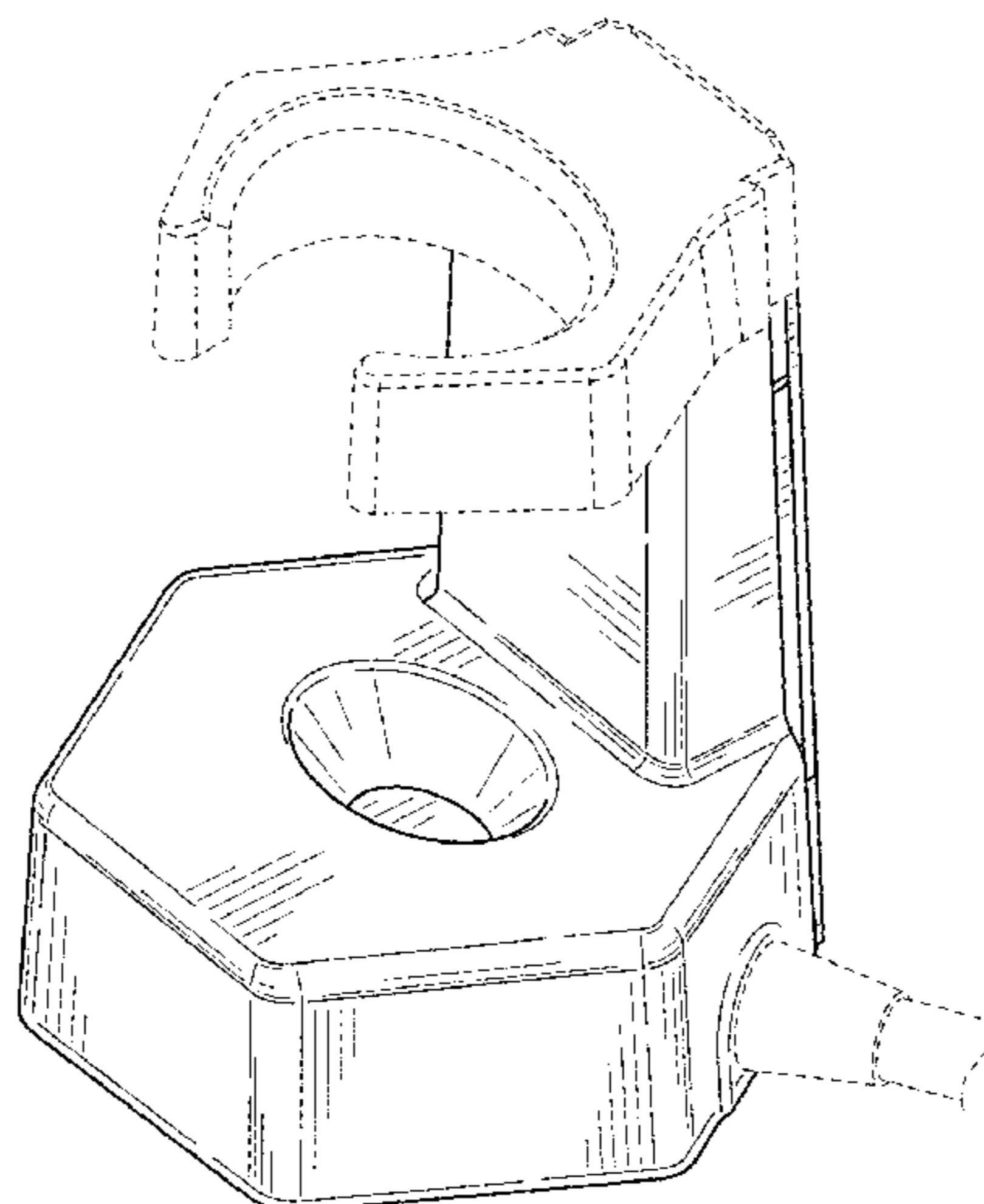
(57) **CLAIM**

The ornamental design for a clipper charging base, as shown and described.

DESCRIPTION

FIG. 1 is a top, right, front perspective view of a clipper charging base showing our new design; FIG. 2 is a bottom, right, front perspective view thereof; FIG. 3 is a front elevation view thereof; FIG. 4 is a rear elevation view thereof; FIG. 5 is a right side elevation view thereof; FIG. 6 is a left side elevation view thereof; FIG. 7 is a top plan view thereof; FIG. 8 is a bottom plan view thereof; and, FIG. 9 is a top, right, front perspective view thereof with the addition of a clipper shown in dotted lines for purposes of illustrating unclaimed environmental subject matter. The dashed broken lines are for purposes of illustrating portions of the clipper charging base and form no part of the claimed design.

1 Claim, 6 Drawing Sheets



(56)

References Cited

U.S. PATENT DOCUMENTS

D640,977 S 7/2011 Videbaek
D643,430 S * 8/2011 Nuovo et al. D14/434
D645,847 S * 9/2011 Chau D14/217
D657,740 S 4/2012 Prat-Pfister

D669,028 S * 10/2012 Ino et al. D13/108
D677,622 S 3/2013 Cole et al.
D688,623 S * 8/2013 Carreon et al. D13/107
D691,947 S * 10/2013 Cole et al. D13/108
D692,376 S * 10/2013 Palmer et al. D13/108
D719,507 S * 12/2014 Ogihara et al. D13/108

* cited by examiner

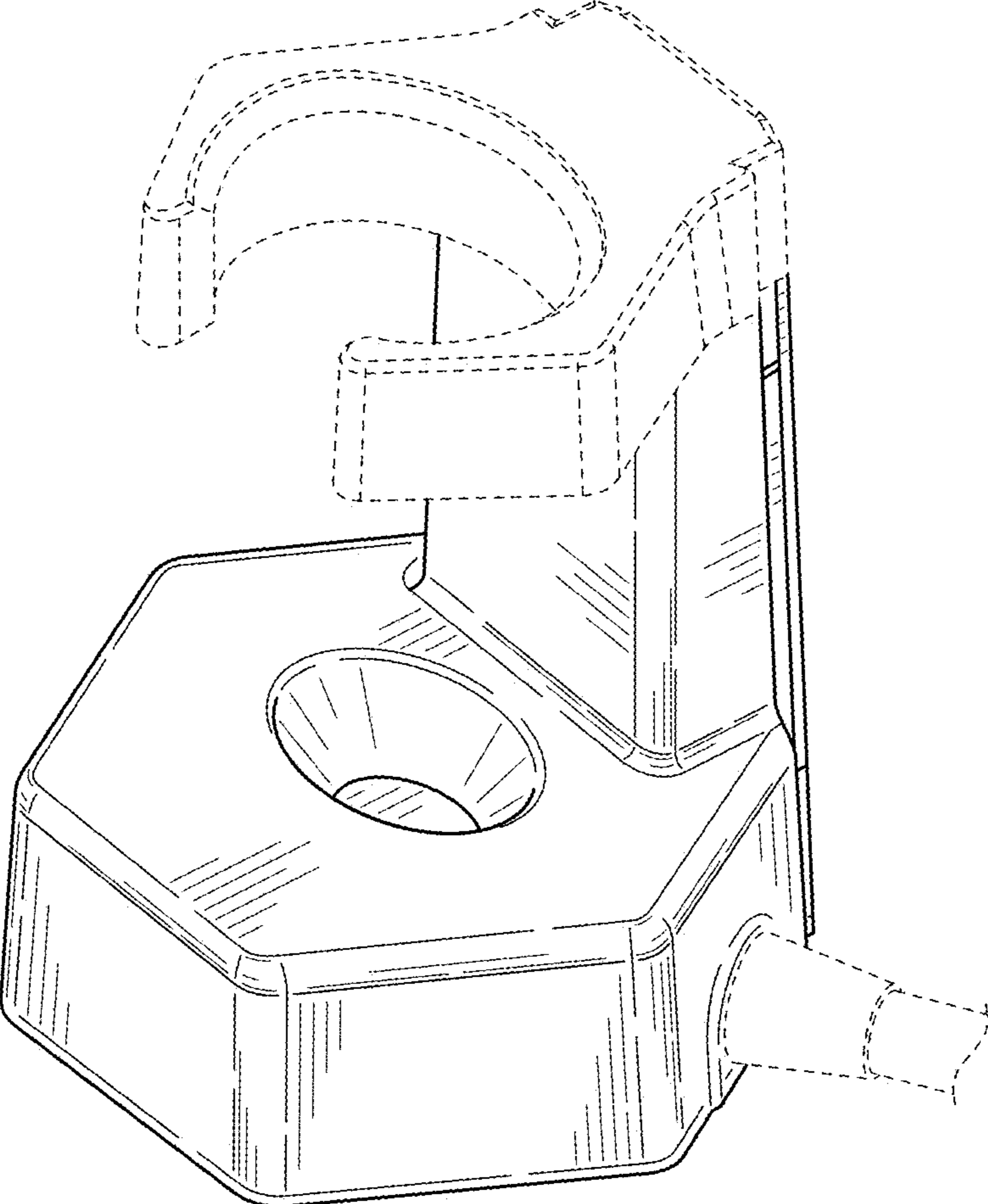


FIG. 1

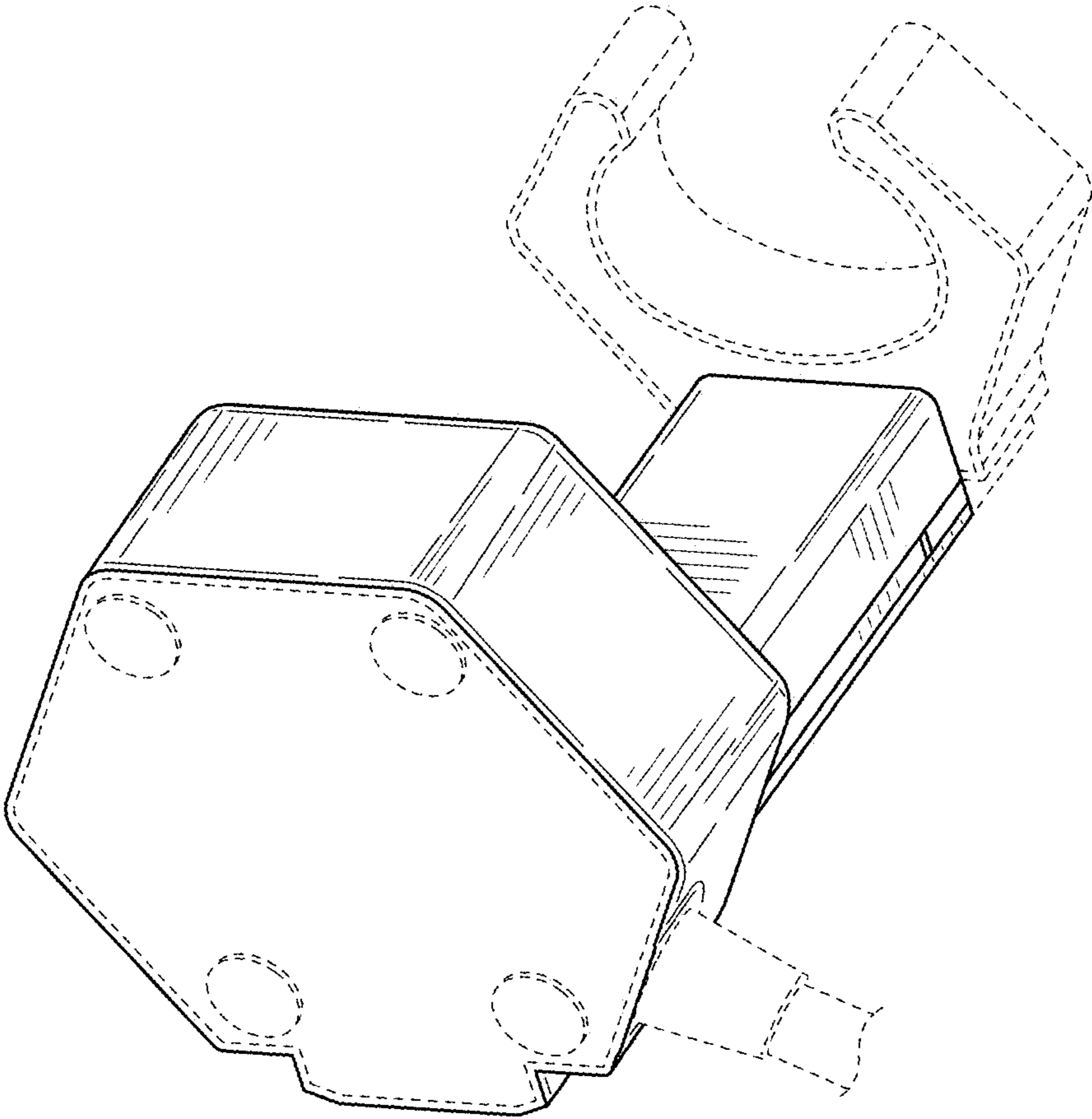


FIG. 2

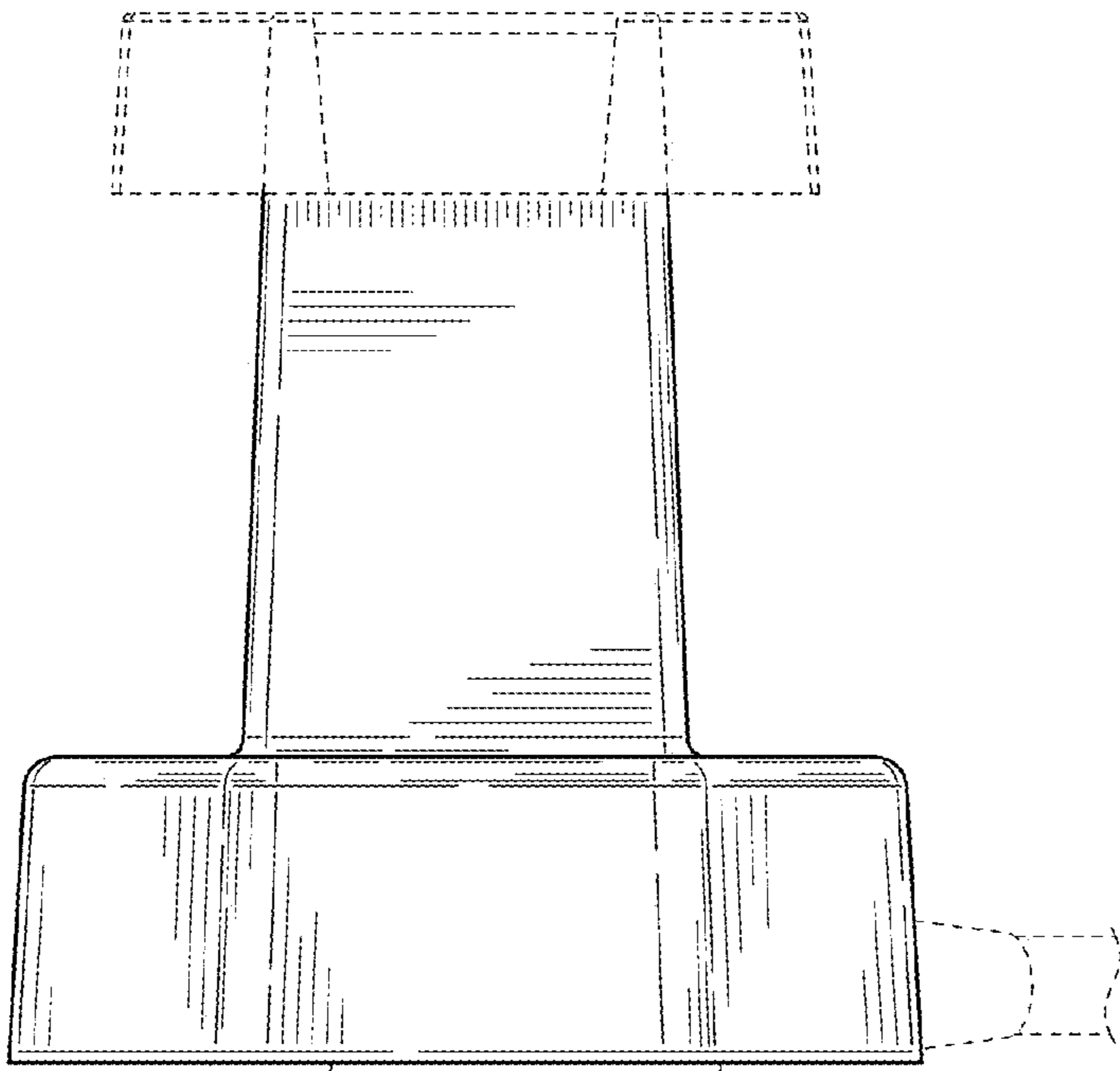


FIG. 3

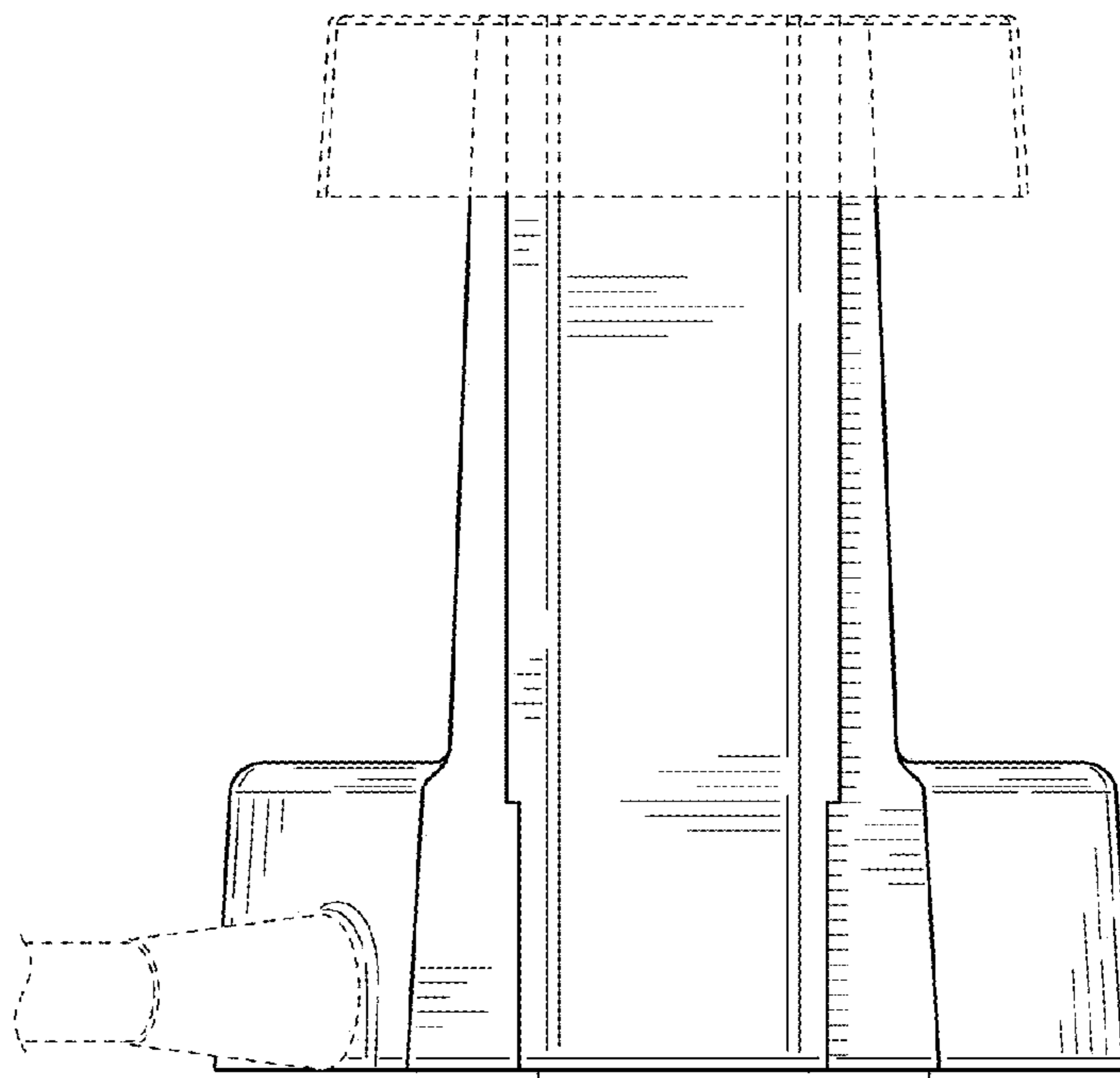


FIG. 4

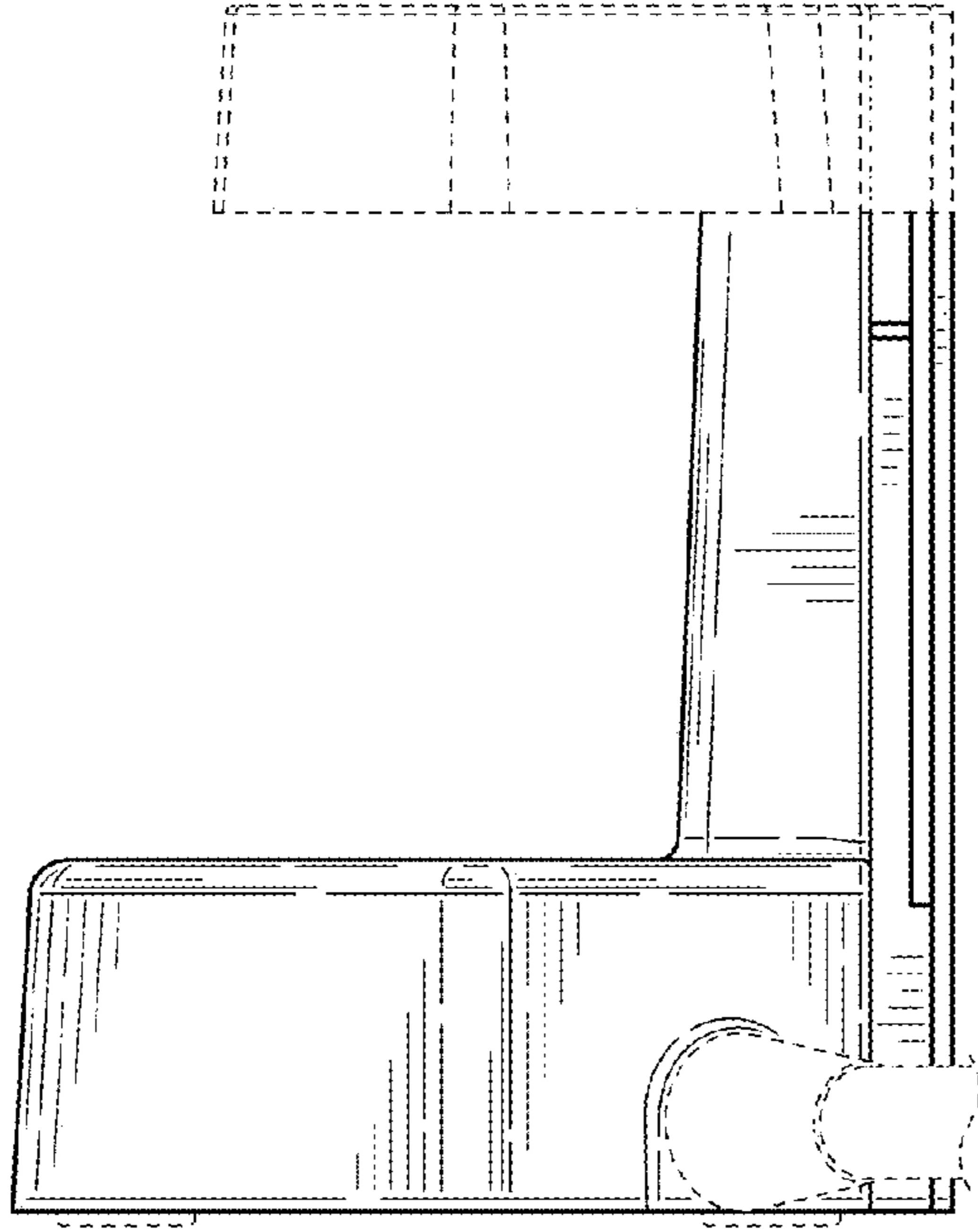


FIG. 5

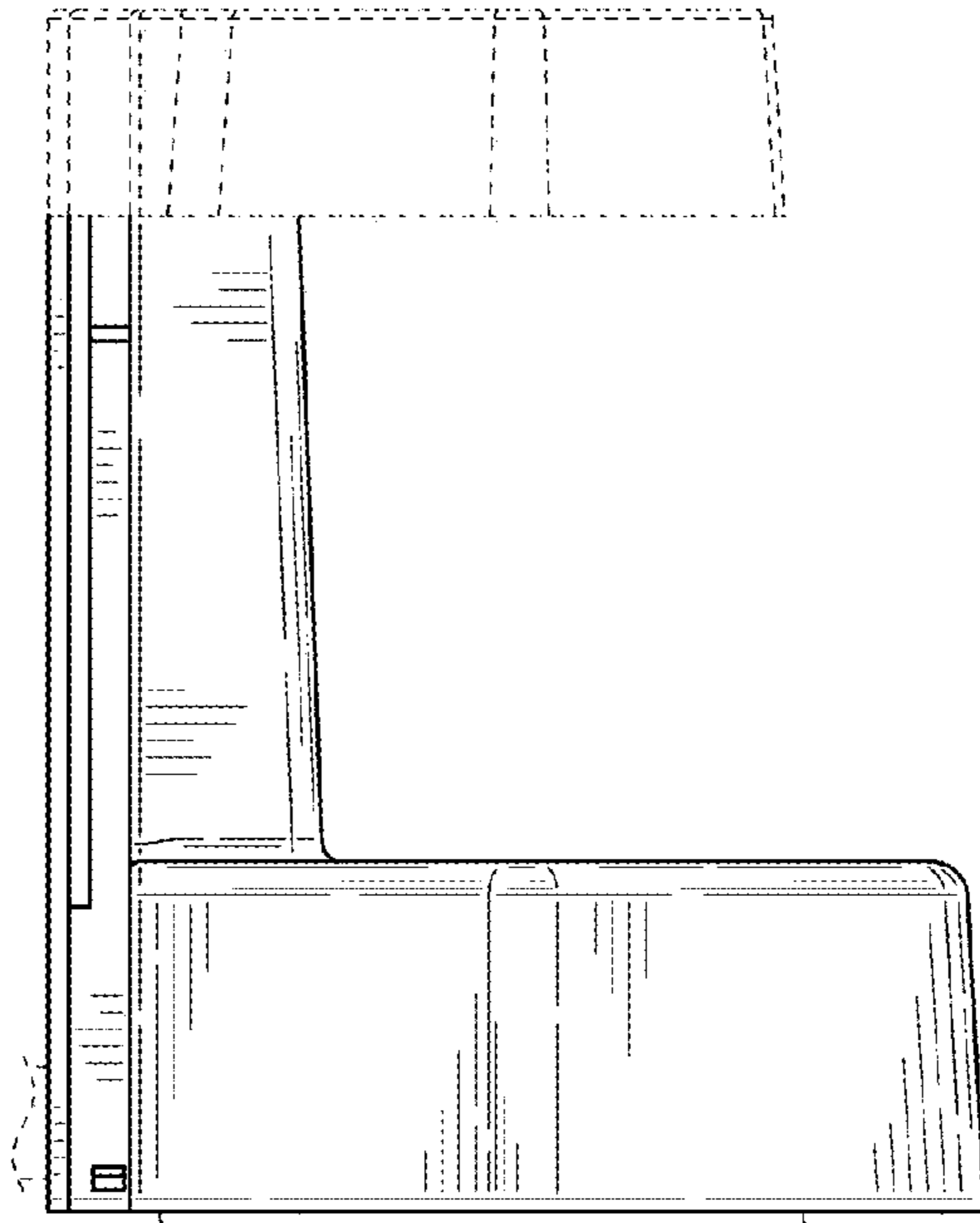


FIG. 6

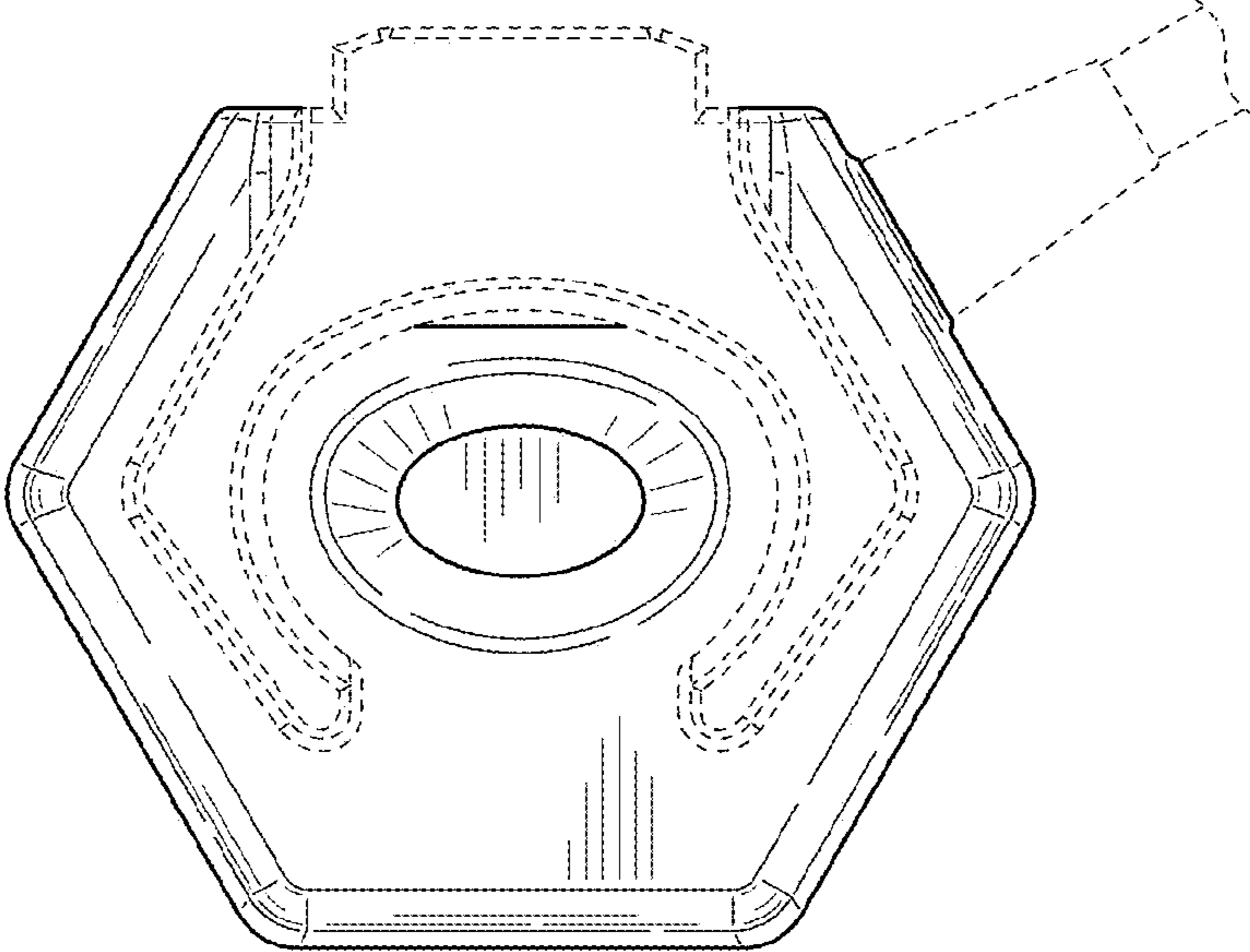


FIG. 7

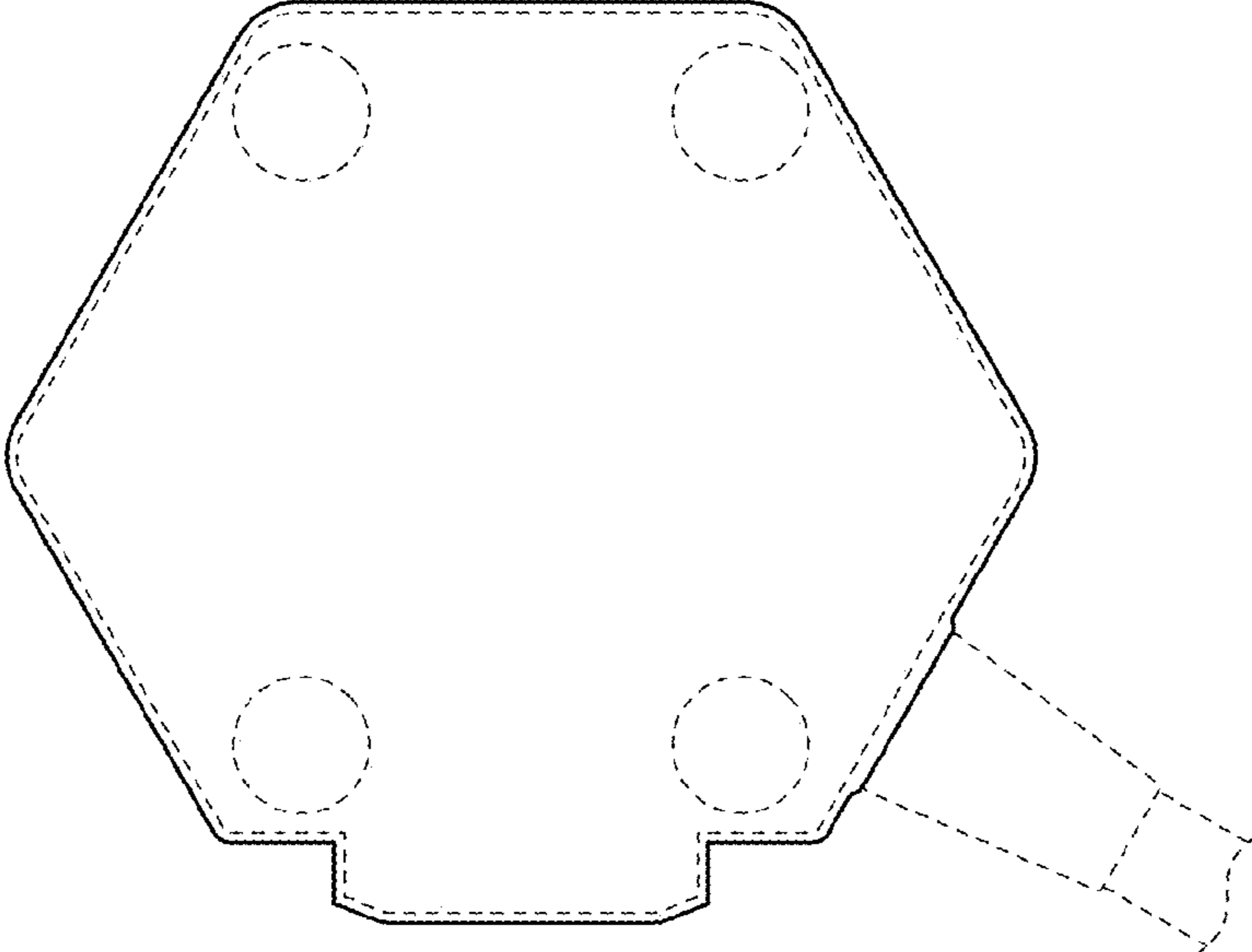


FIG. 8

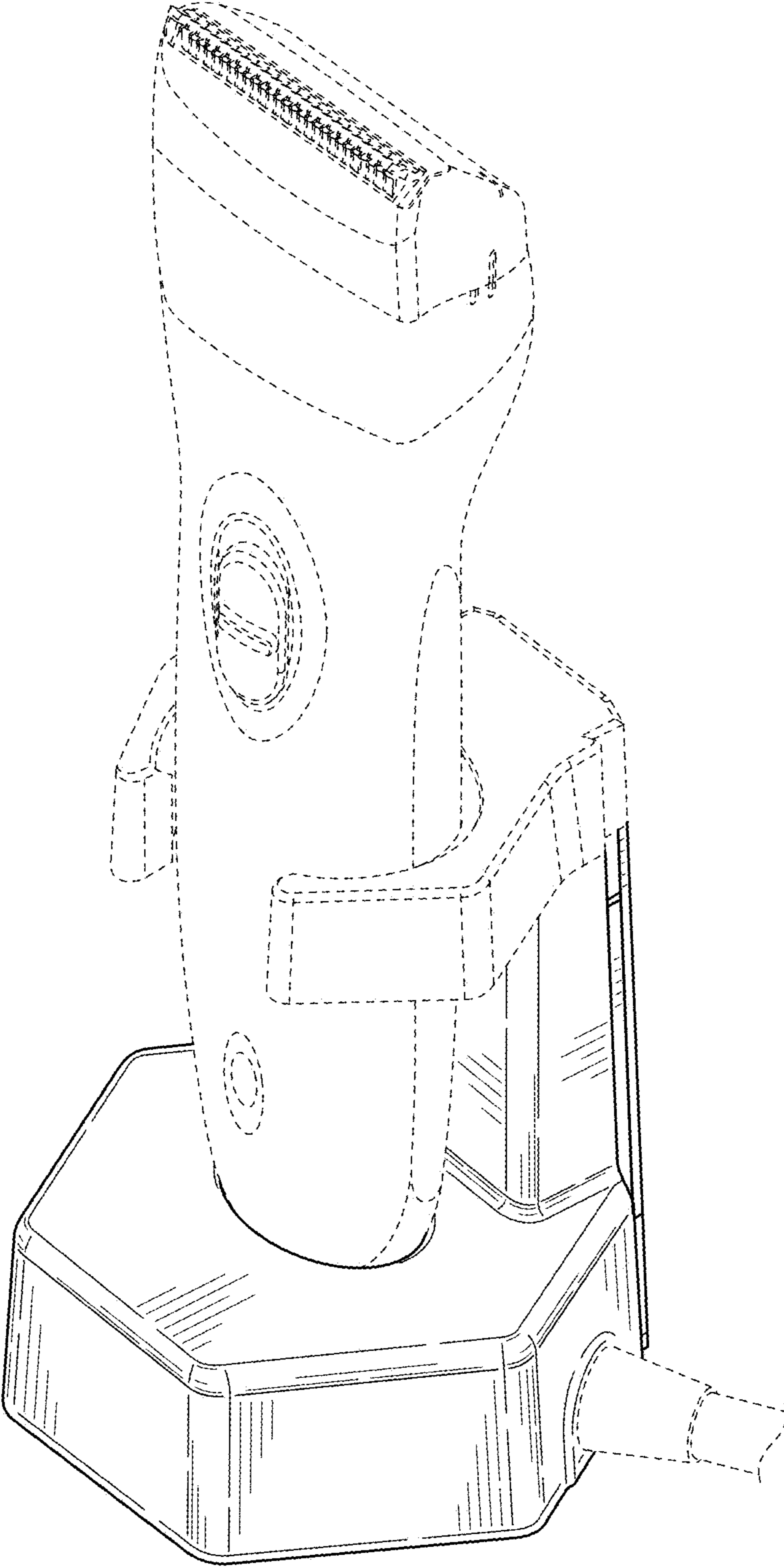


FIG. 9