



US00D730823S

(12) **United States Design Patent**
Leung

(10) **Patent No.:** **US D730,823 S**
(45) **Date of Patent:** **** Jun. 2, 2015**

(54) **SWIVEL WALL MOUNT USB CHARGER**

DESCRIPTION

- (71) Applicant: **Yan Kwong Leung**, Hong Kong (HK)
- (72) Inventor: **Yan Kwong Leung**, Hong Kong (HK)
- (**) Term: **14 Years**
- (21) Appl. No.: **29/454,002**
- (22) Filed: **May 5, 2013**
- (51) **LOC (10) Cl.** **13-02**
- (52) **U.S. Cl.**
USPC **D13/108**
- (58) **Field of Classification Search**
USPC D13/107–110, 118–119, 138.1–138.2,
D13/184, 199; D14/217, 251, 253, 432,
D14/434; 320/107–115
See application file for complete search history.

(56) **References Cited**

U.S. PATENT DOCUMENTS

D611,415	S	*	3/2010	Andre et al.	D13/138.1
D623,136	S	*	9/2010	Andre et al.	D13/138.1
D627,728	S	*	11/2010	Smith et al.	D13/138.1
D627,729	S	*	11/2010	Smith et al.	D13/138.1
D638,357	S	*	5/2011	Sasada et al.	D13/110
D642,524	S	*	8/2011	Fitch et al.	D13/110
D650,330	S	*	12/2011	Dong	D13/108
D653,208	S	*	1/2012	Au	D13/108
D653,209	S	*	1/2012	Lee	D13/110
D653,614	S	*	2/2012	Au	D13/108
D653,615	S	*	2/2012	Au	D13/108
D655,243	S	*	3/2012	Au	D13/108
D655,244	S	*	3/2012	Au	D13/108
D660,796	S	*	5/2012	Wen et al.	D13/110
D663,687	S	*	7/2012	Liu	D13/108

(Continued)

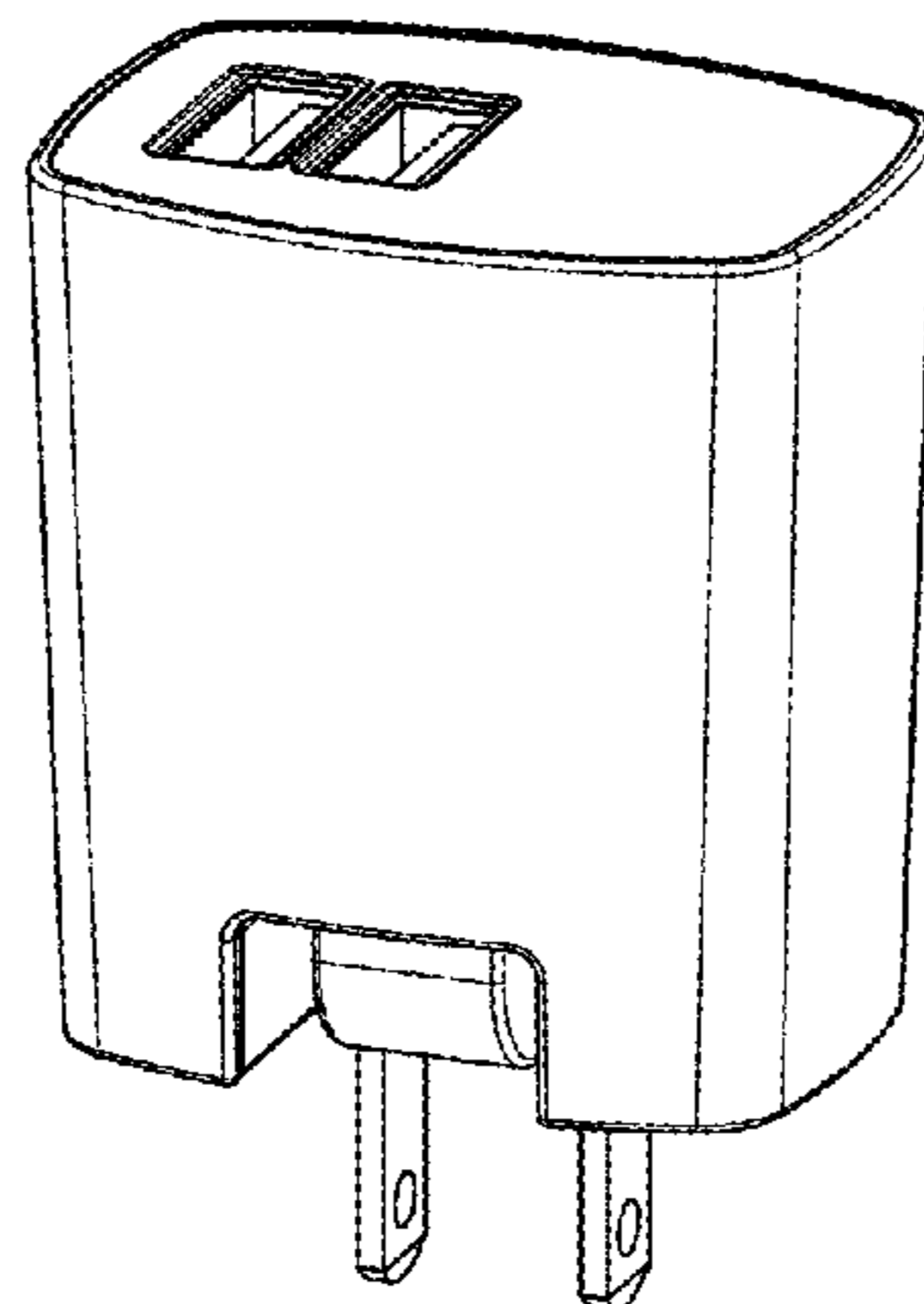
Primary Examiner — Rosemary K Tarcza
(74) *Attorney, Agent, or Firm* — Andrew Alia, Esq.

(57) **CLAIM**

The ornamental design for a swivel wall mount USB charger, as shown and described.

FIG. 1 is a top plan view of the swivel wall mount USB charger.
 FIG. 2 is a front view, showing the plug extended.
 FIG. 3 is a bottom plan view, showing the plug extended.
 FIG. 4 is a left view, showing the plug extended.
 FIG. 5 is a back view, showing the plug extended.
 FIG. 6 is a top perspective view, showing the plug extended.
 FIG. 7 is a top right perspective view, showing the plug extended.
 FIG. 8 is a top back perspective view, showing the plug extended.
 FIG. 9 is a top left perspective view, showing the plug extended.
 FIG. 10 is a bottom front perspective view, showing the plug extended.
 FIG. 11 is a bottom left perspective view, showing the plug extended.
 FIG. 12 is a bottom right perspective view, showing the plug extended.
 FIG. 13 is an exploded top front perspective view, showing the internal components.
 FIG. 14 is an exploded bottom front perspective view, showing the internal components.
 FIG. 15 is an exploded bottom left perspective view, showing the internal components.
 FIG. 16 is an exploded top left perspective view, showing the internal components.
 FIG. 17 is a front view, with the plug retracted.
 FIG. 18 is a right side view, with the plug retracted.
 FIG. 19 is a bottom plan view, with the plug retracted.
 FIG. 20 is a top right perspective view, with the plug retracted.
 FIG. 21 is a bottom right perspective view, with the plug retracted. ps FIG. 22 is an exploded top, left, front perspective view; and,
 FIG. 23 is an exploded bottom, left, front perspective view.
 The broken lines shown in the drawings are included for the purpose of illustrating unclaimed components and form no part of the claimed design.

1 Claim, 12 Drawing Sheets



(56)

References Cited

U.S. PATENT DOCUMENTS

D671,489 S * 11/2012 Zaslavsky et al. D13/110
D673,909 S * 1/2013 Zaslavsky et al. D13/110
D675,158 S * 1/2013 Smith et al. D13/110
D680,070 S * 4/2013 Zaslavsky D13/110

D680,492 S * 4/2013 Smith et al. D13/110
D682,201 S * 5/2013 Weaver et al. D13/108
D682,202 S * 5/2013 Weaver et al. D13/108
D683,310 S * 5/2013 McSweyn D13/108
D683,314 S * 5/2013 Andre et al. D13/138.1

* cited by examiner

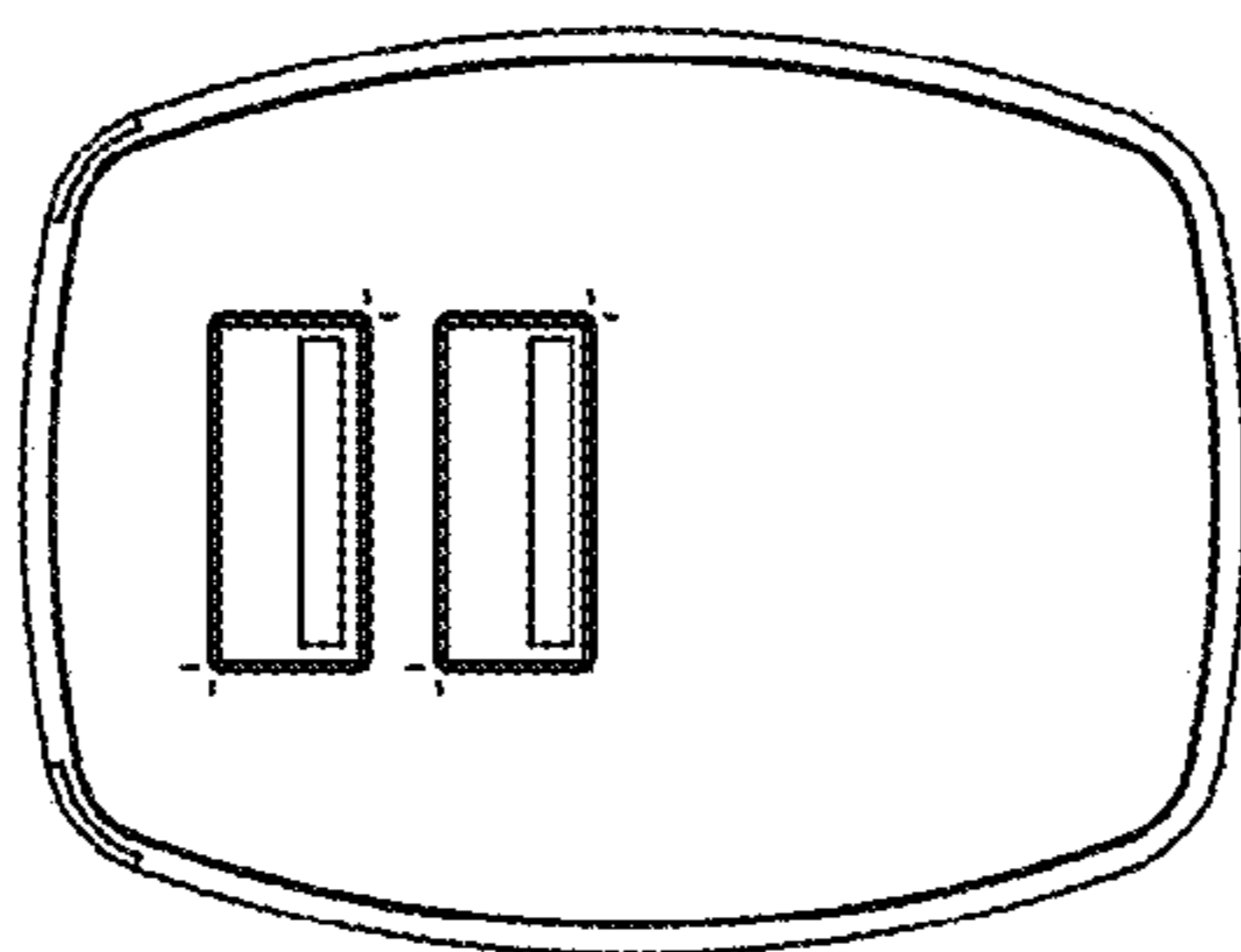


FIG. 1

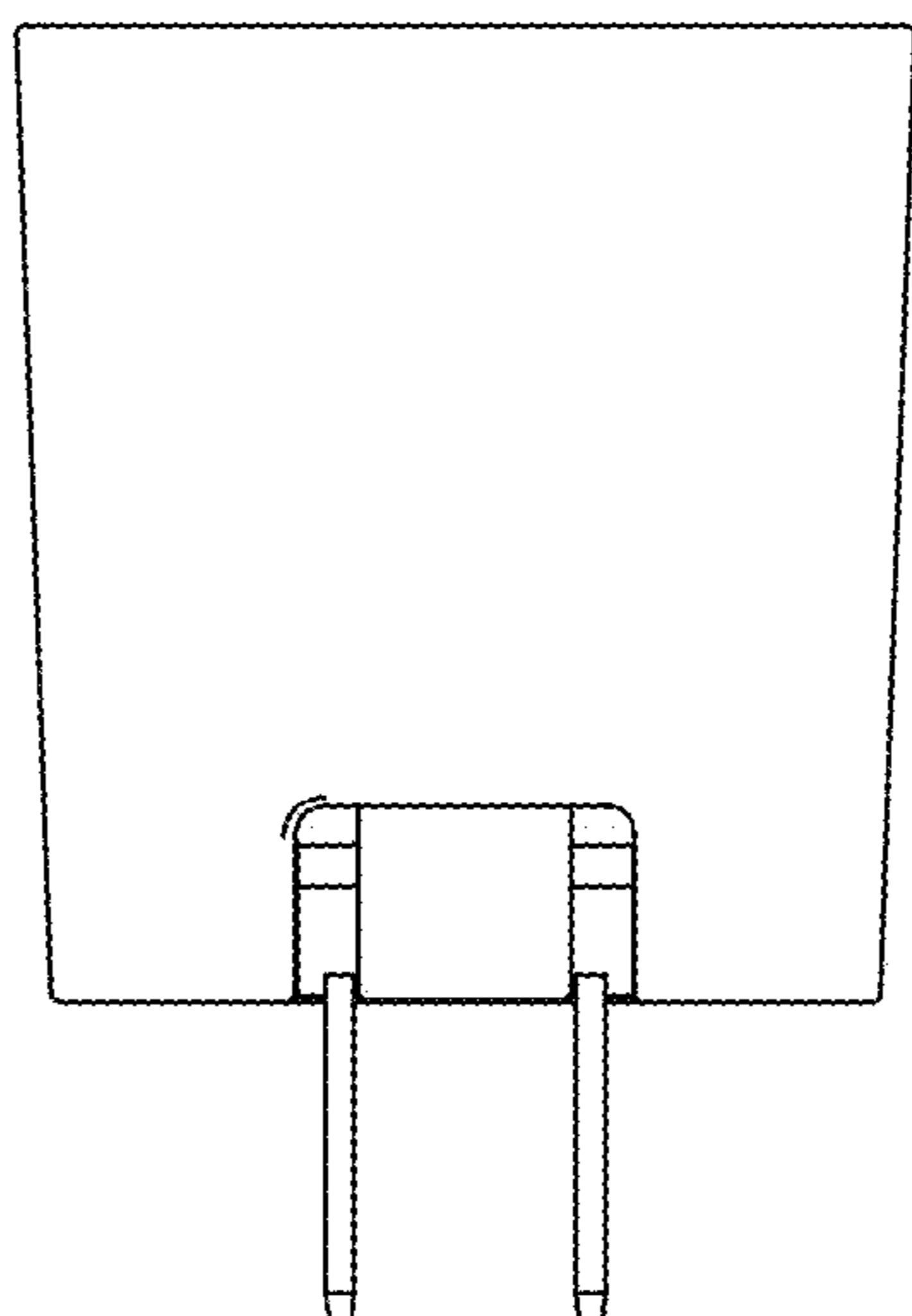


FIG. 2

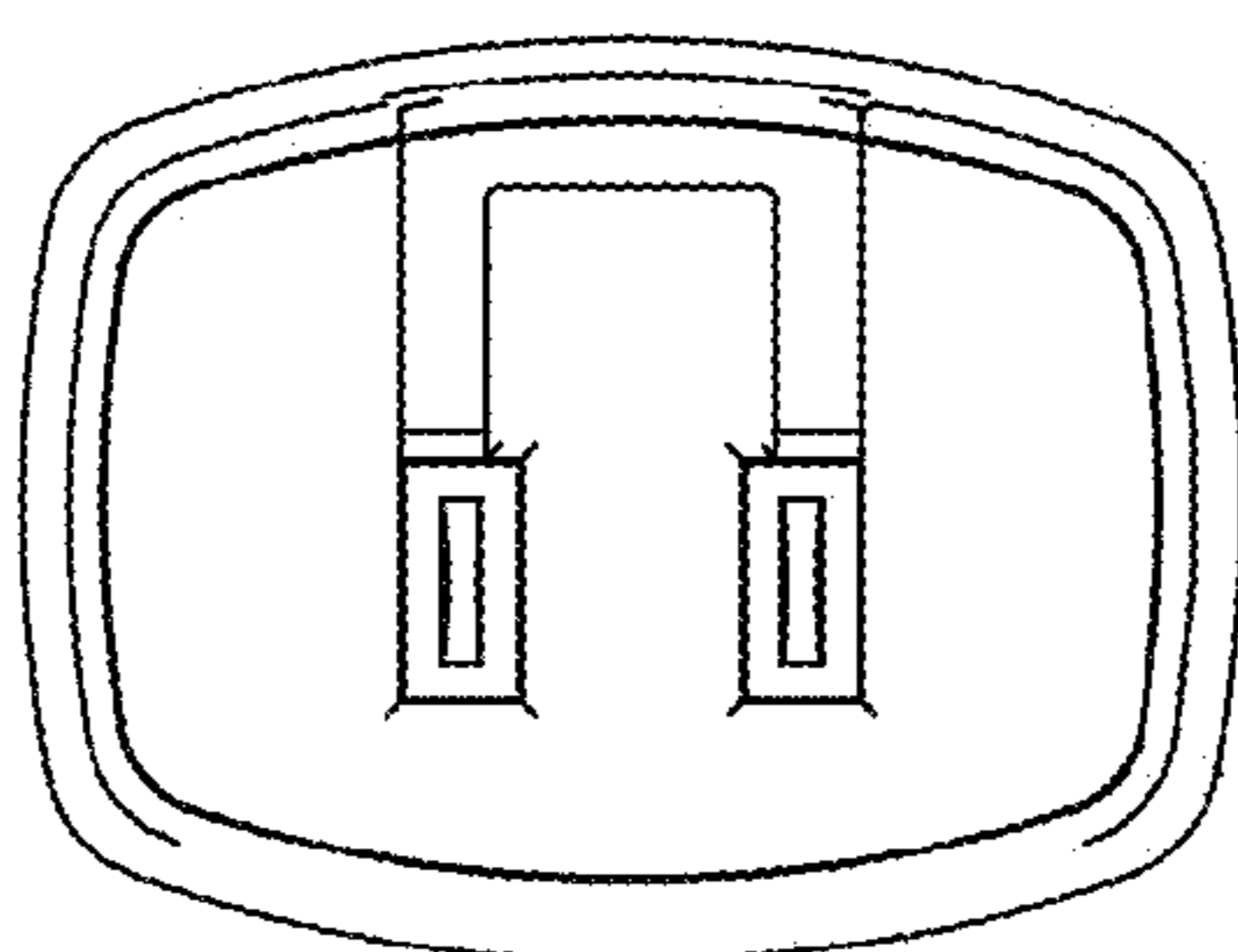


FIG. 3

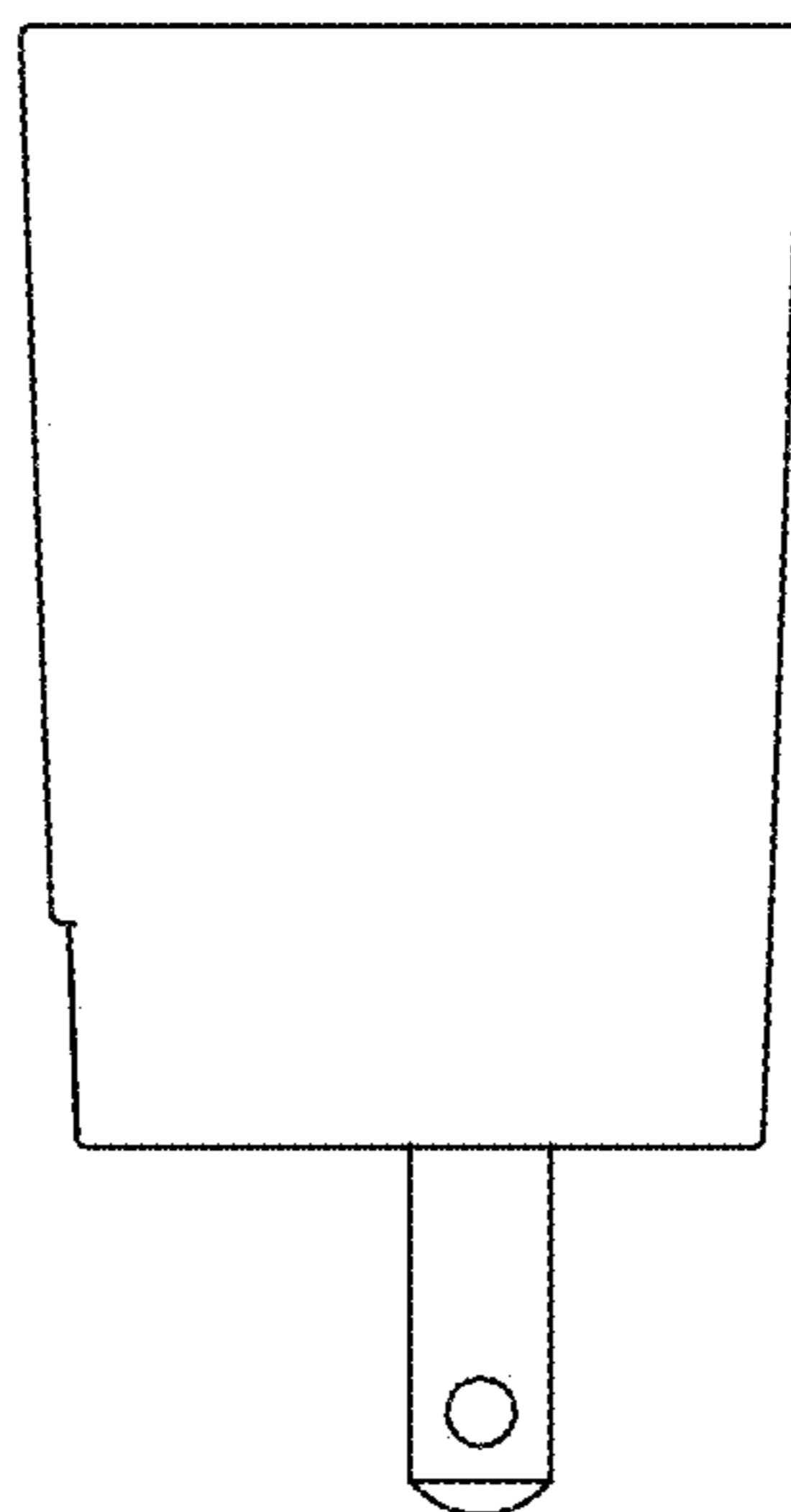


FIG. 4

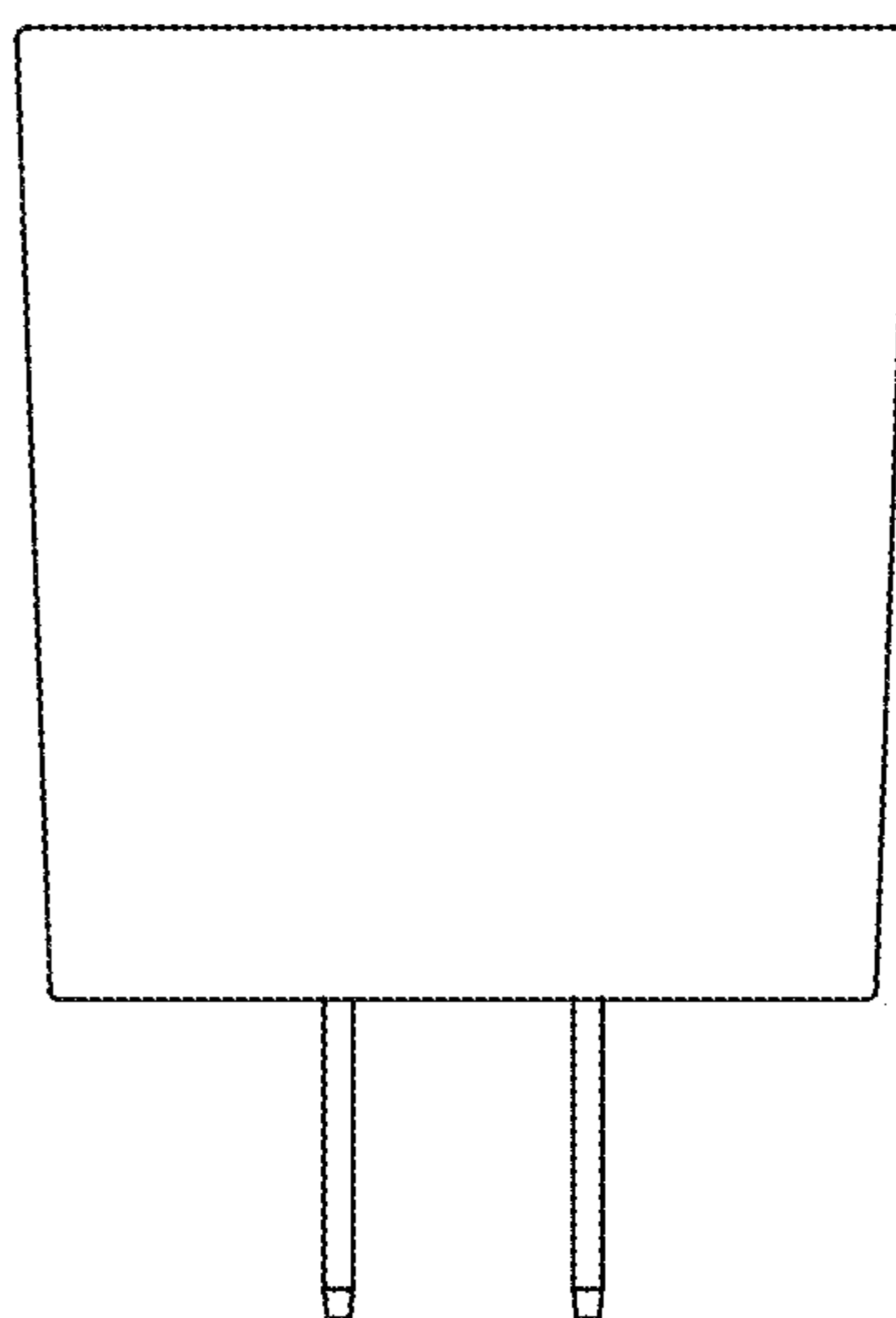


FIG. 5

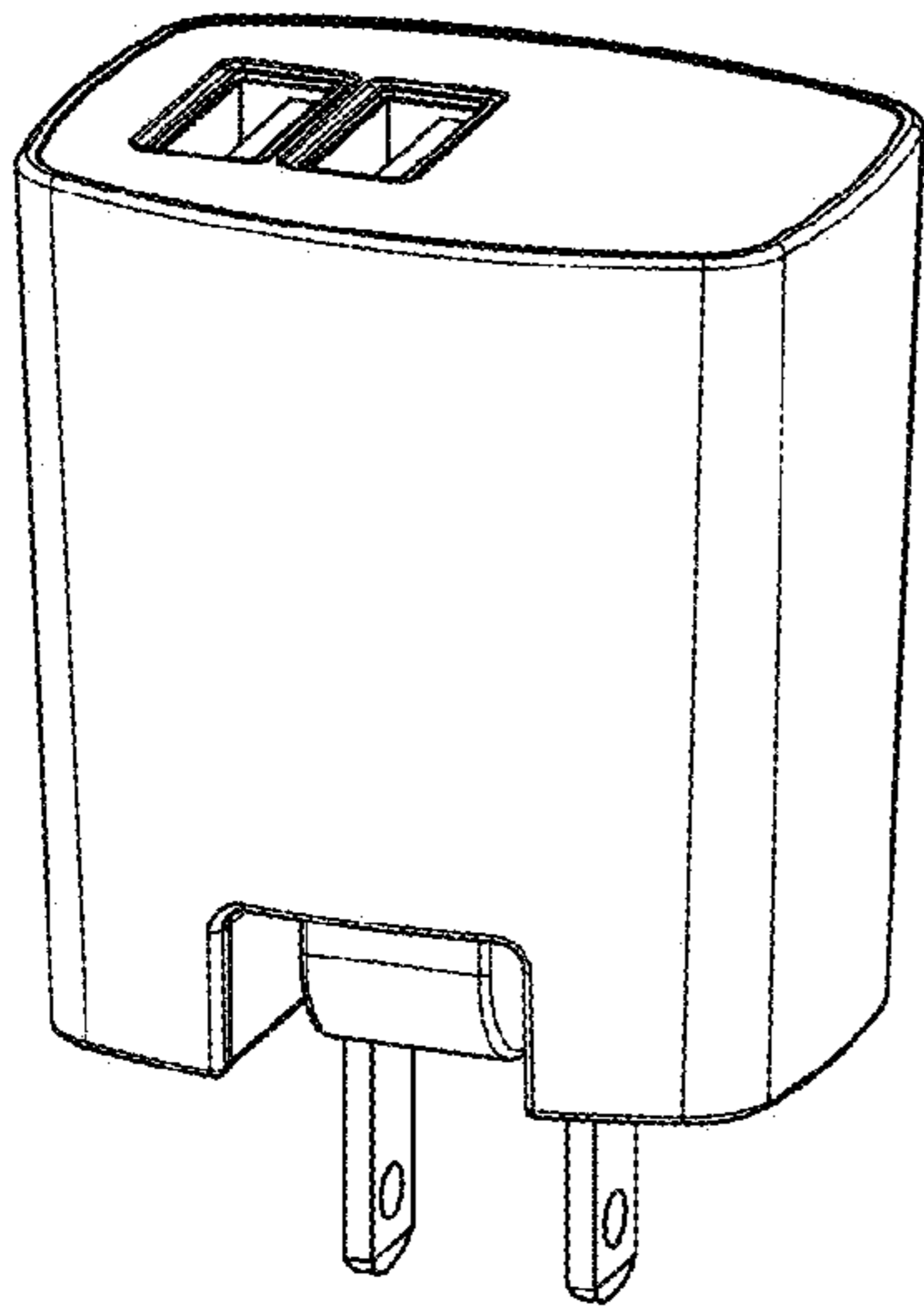


FIG. 6

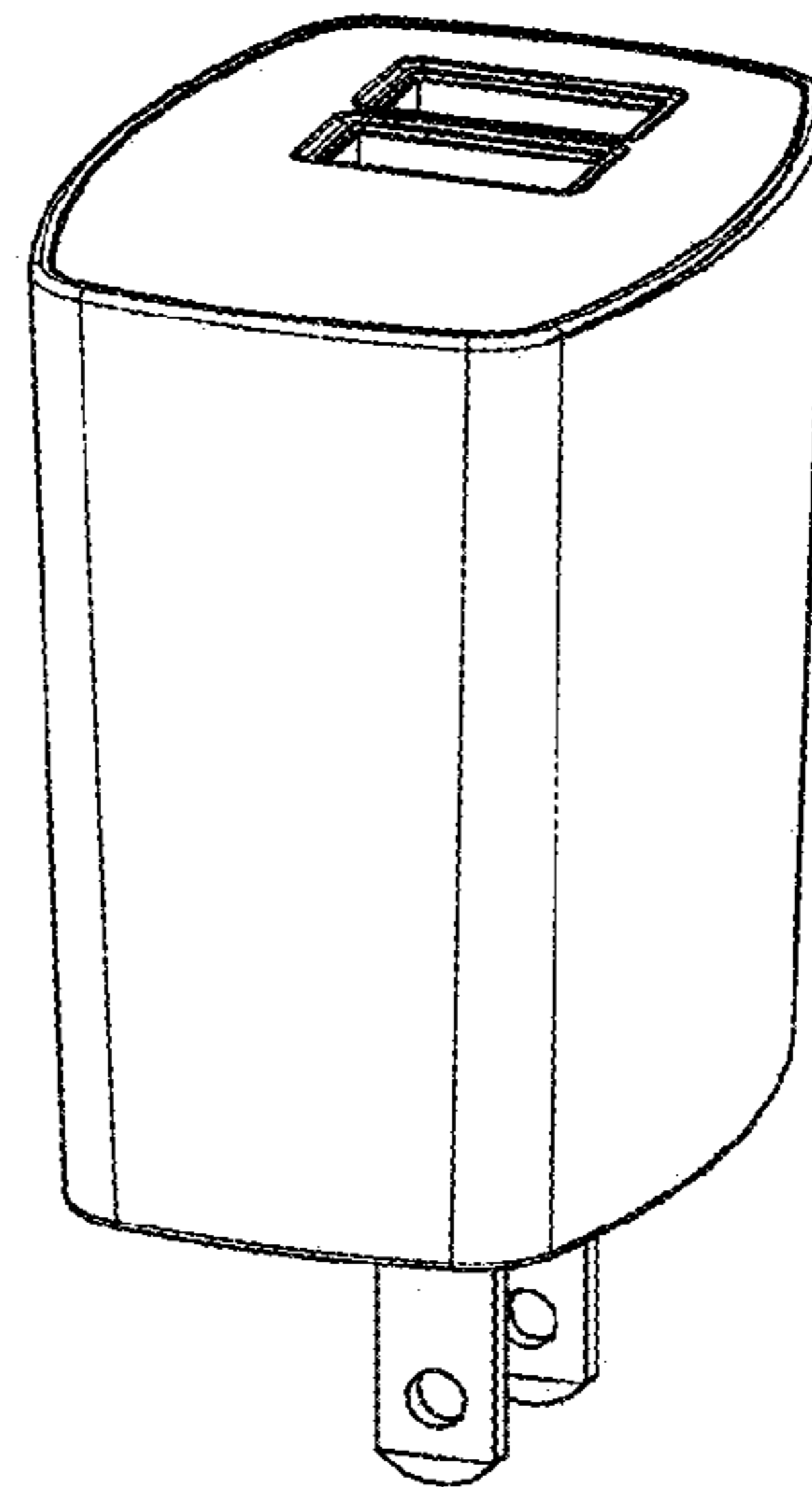


FIG. 7

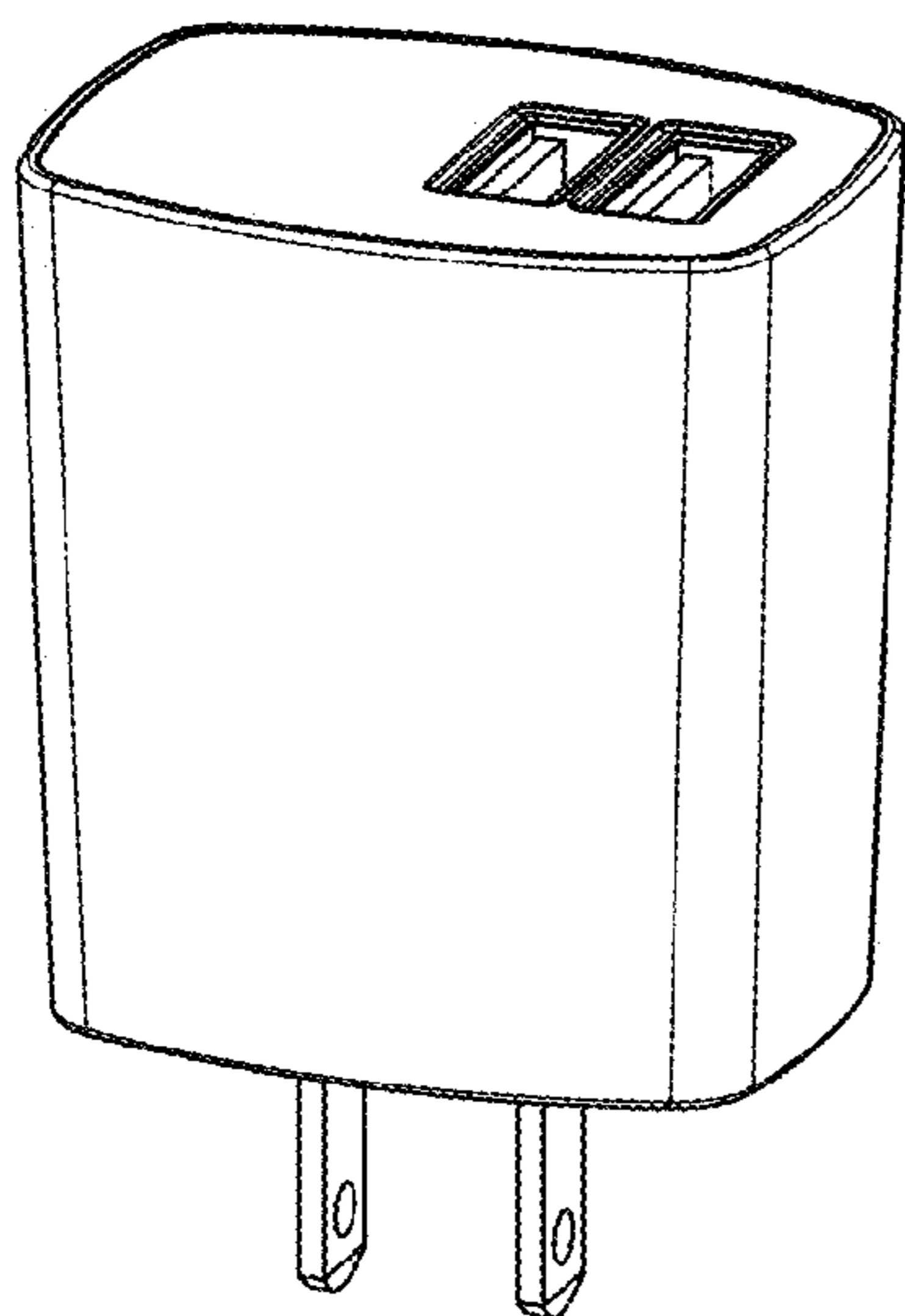


FIG. 8

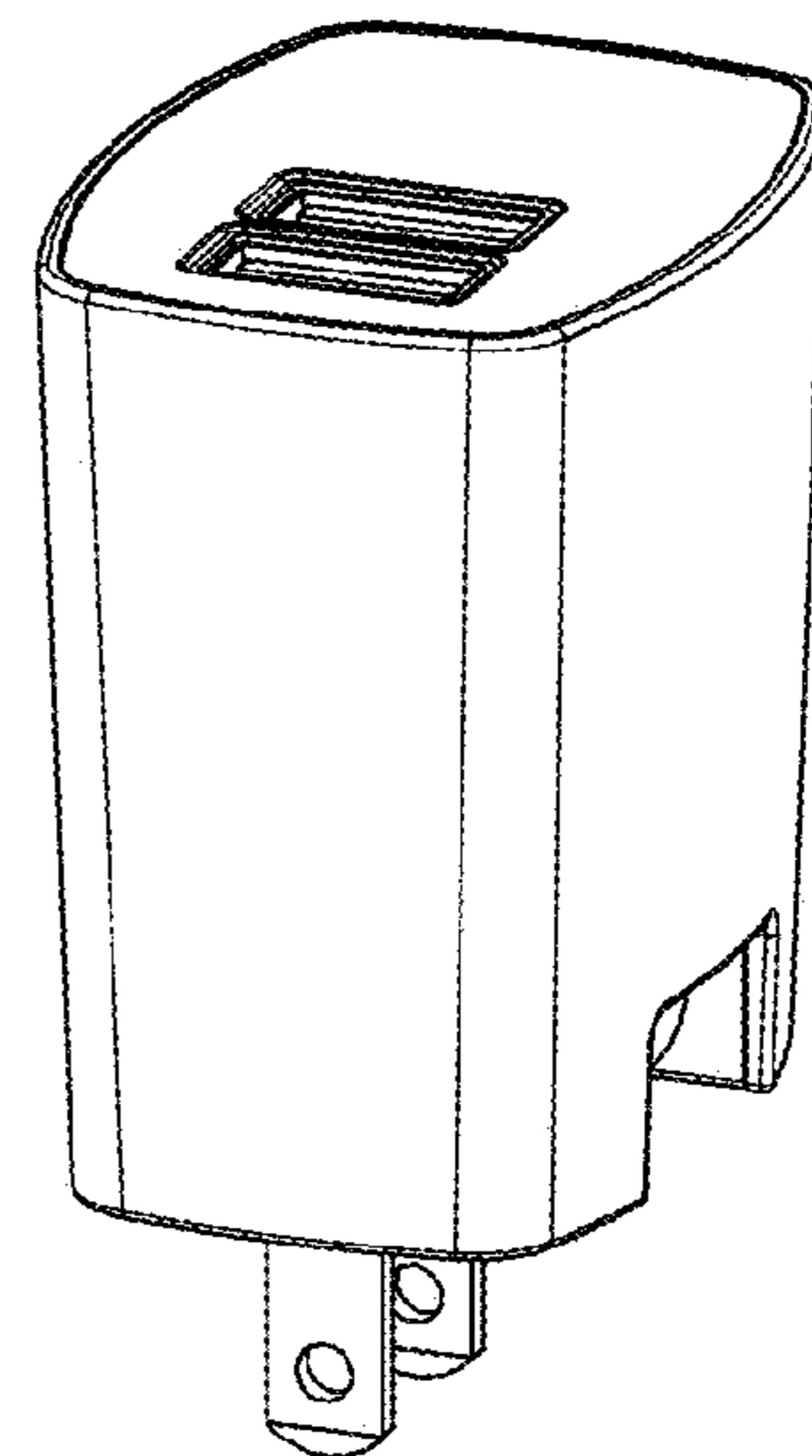


FIG. 9

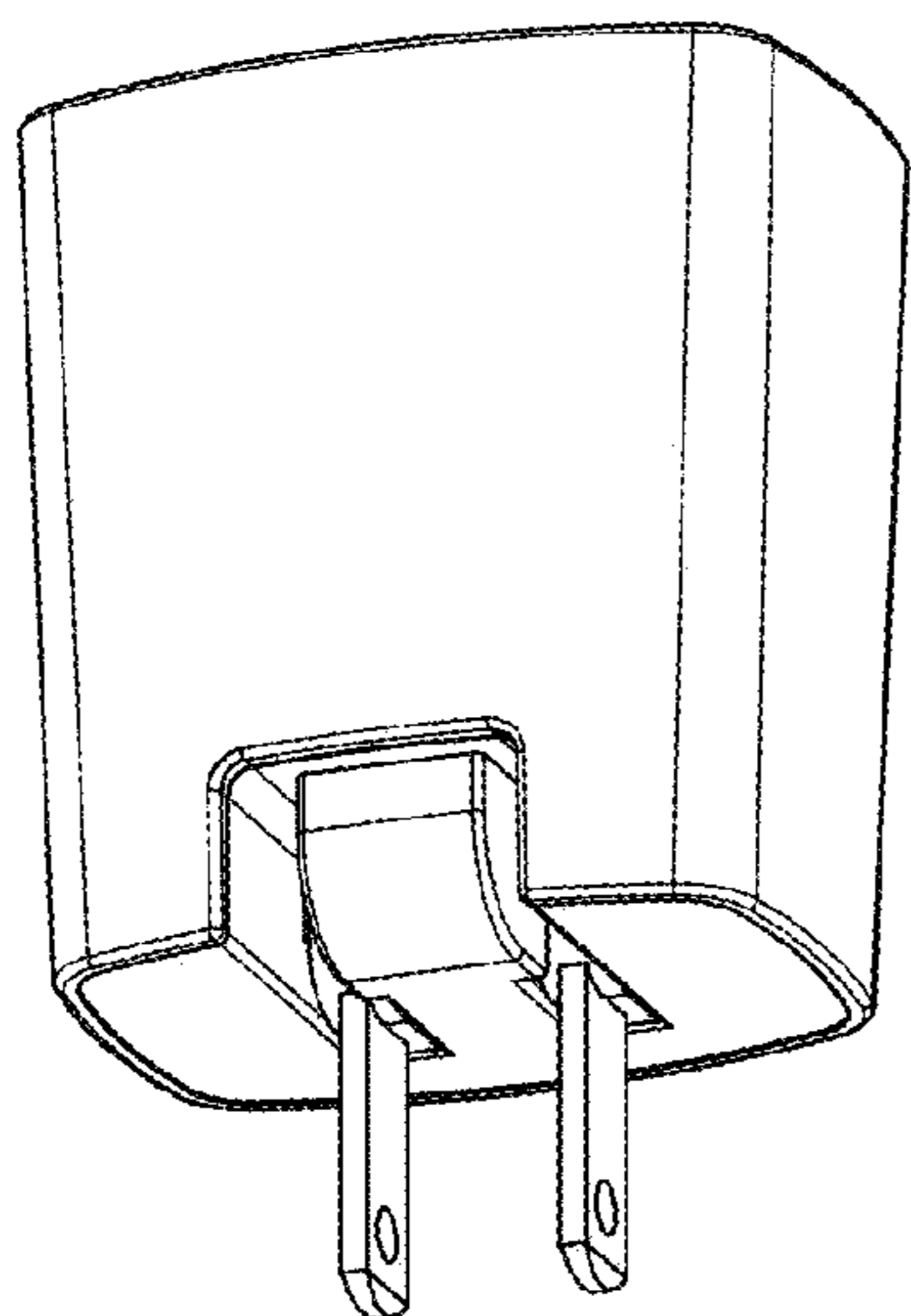


FIG. 10

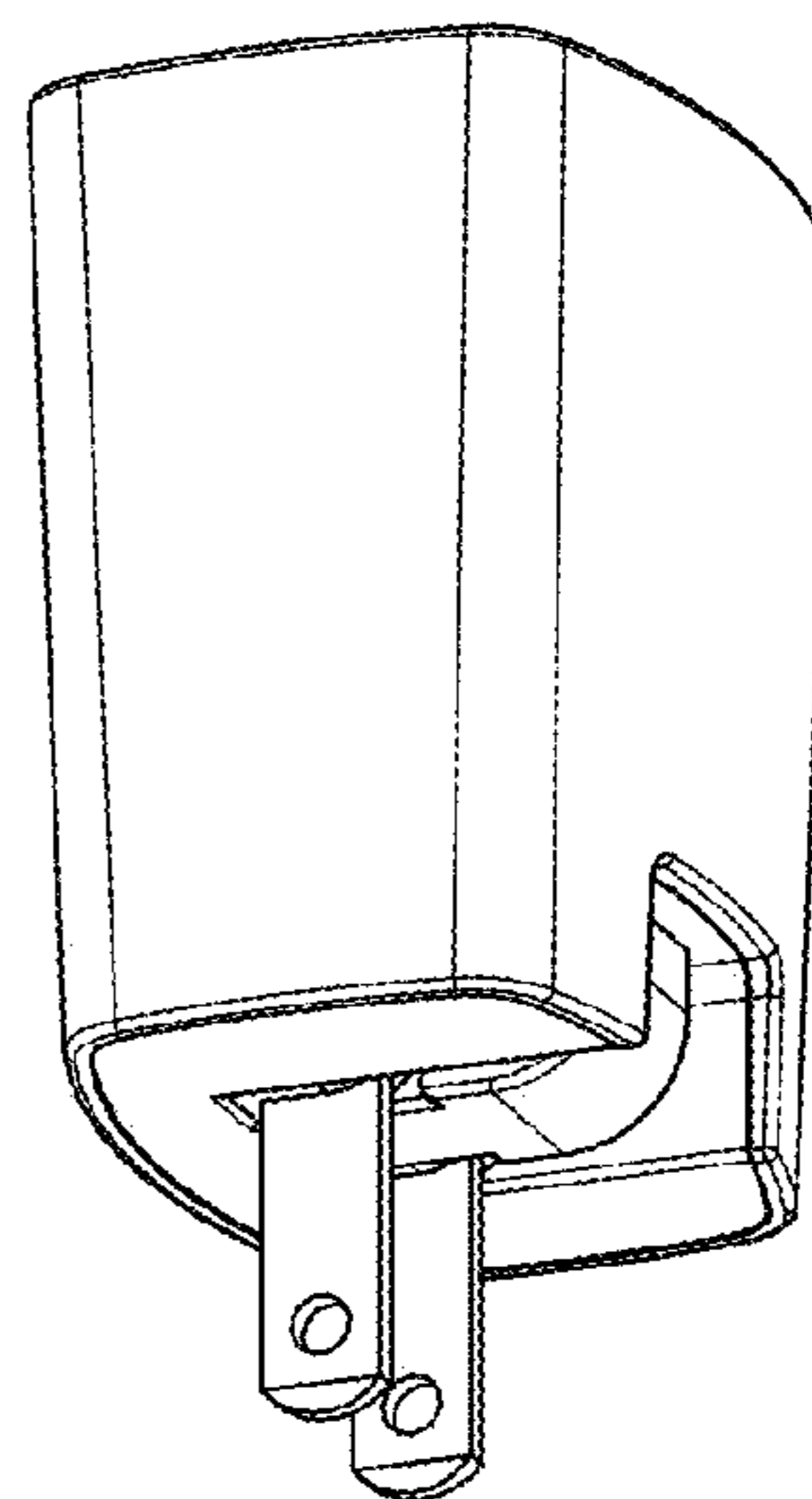


FIG. 11

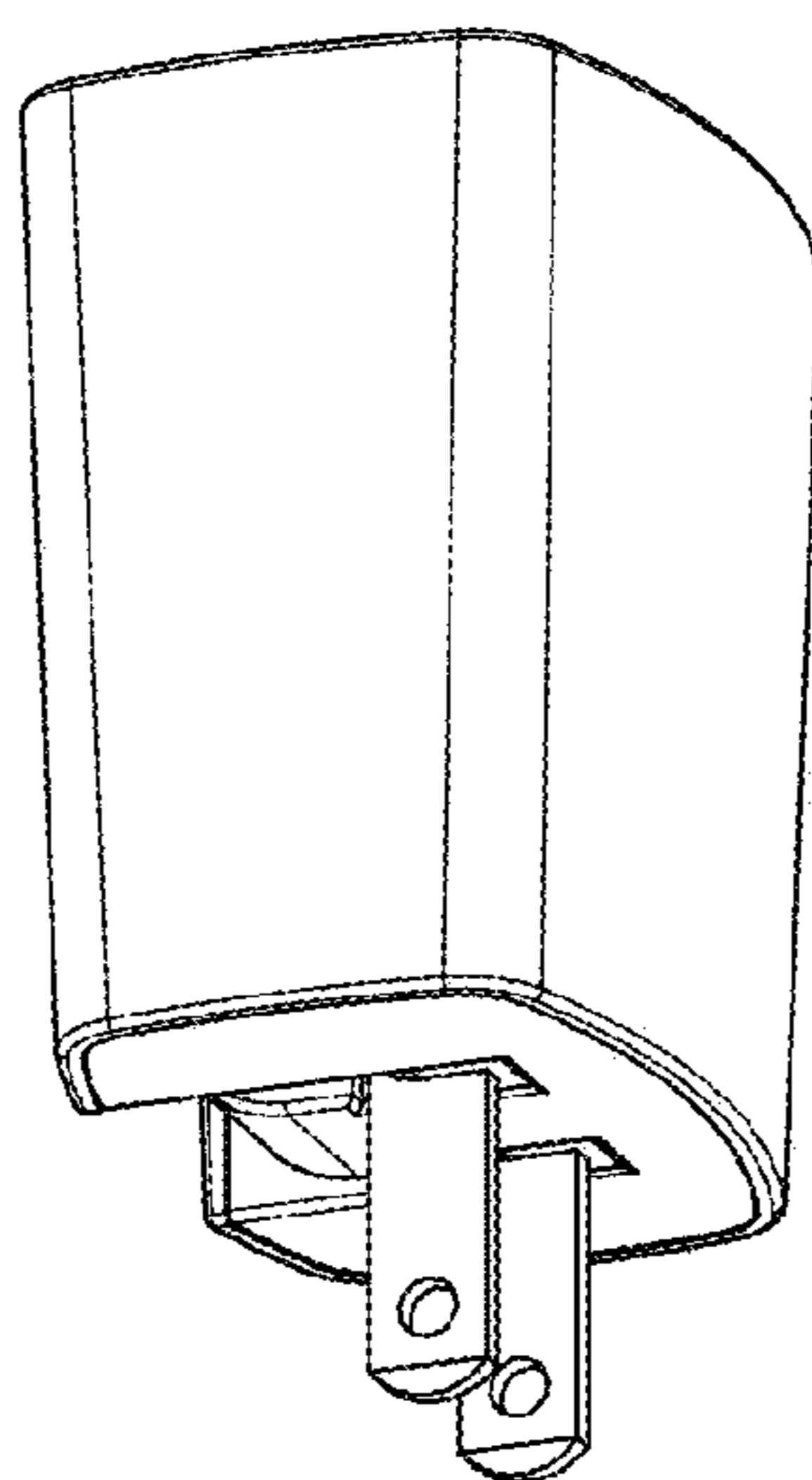


FIG. 12

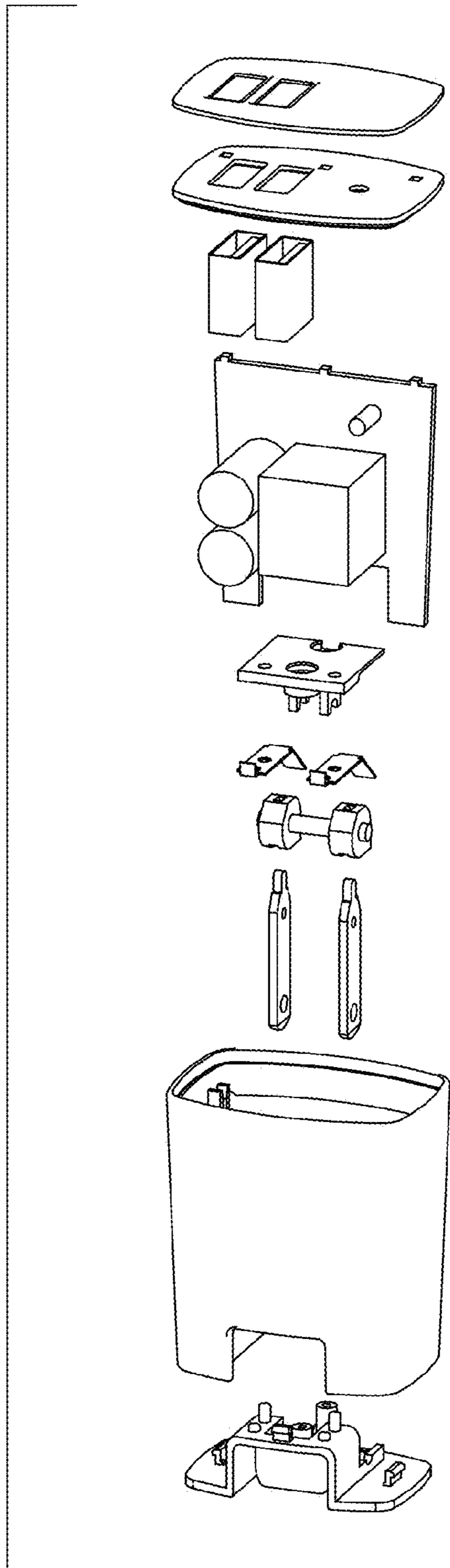


FIG. 13

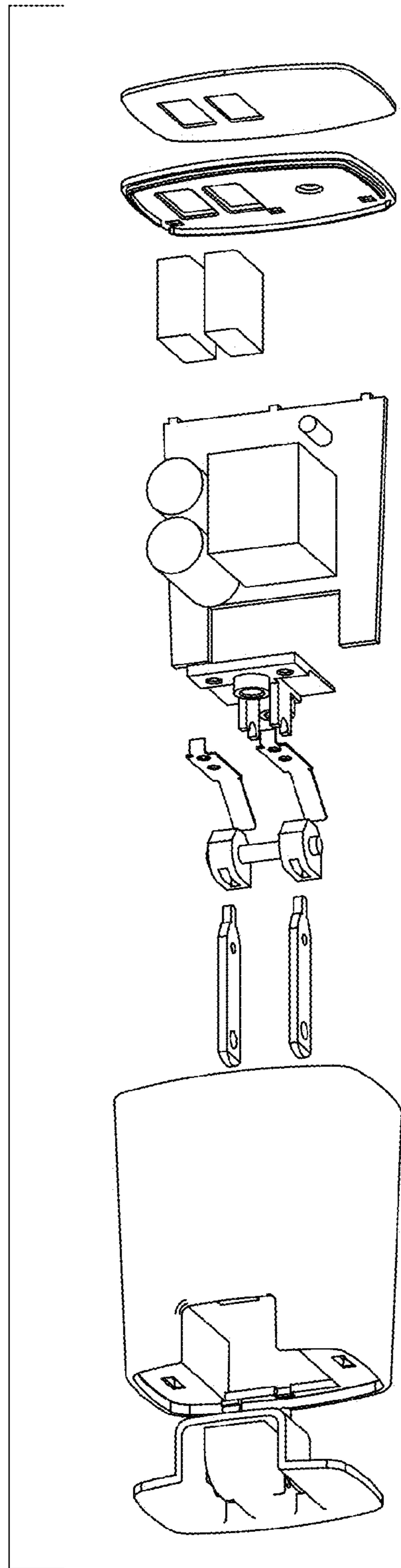


FIG. 14

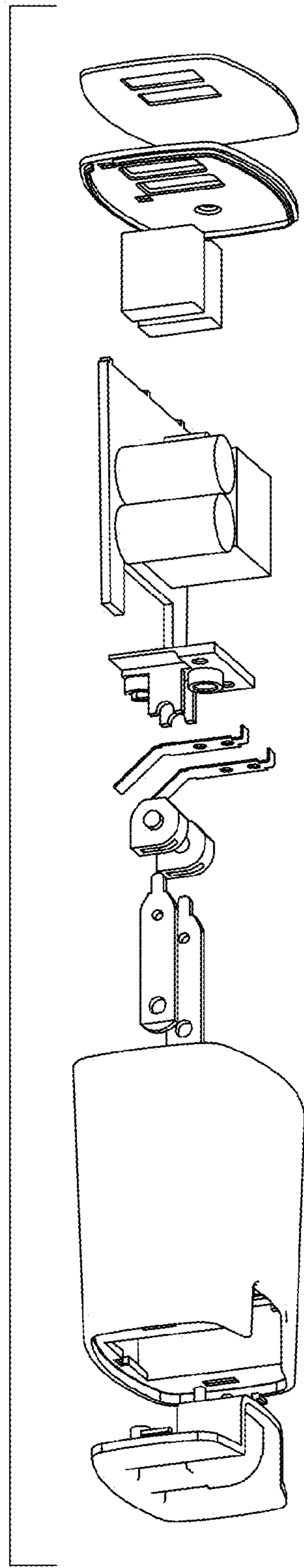


FIG. 15

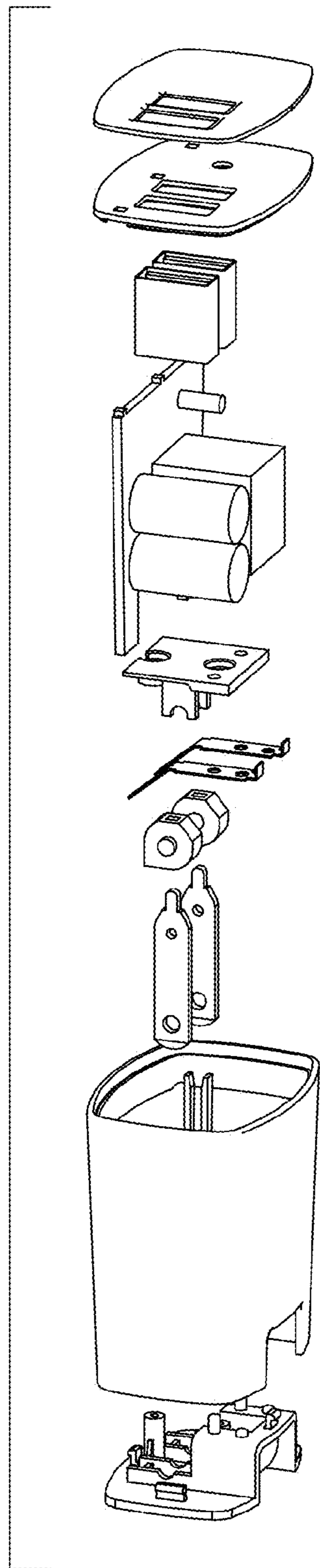


FIG. 16

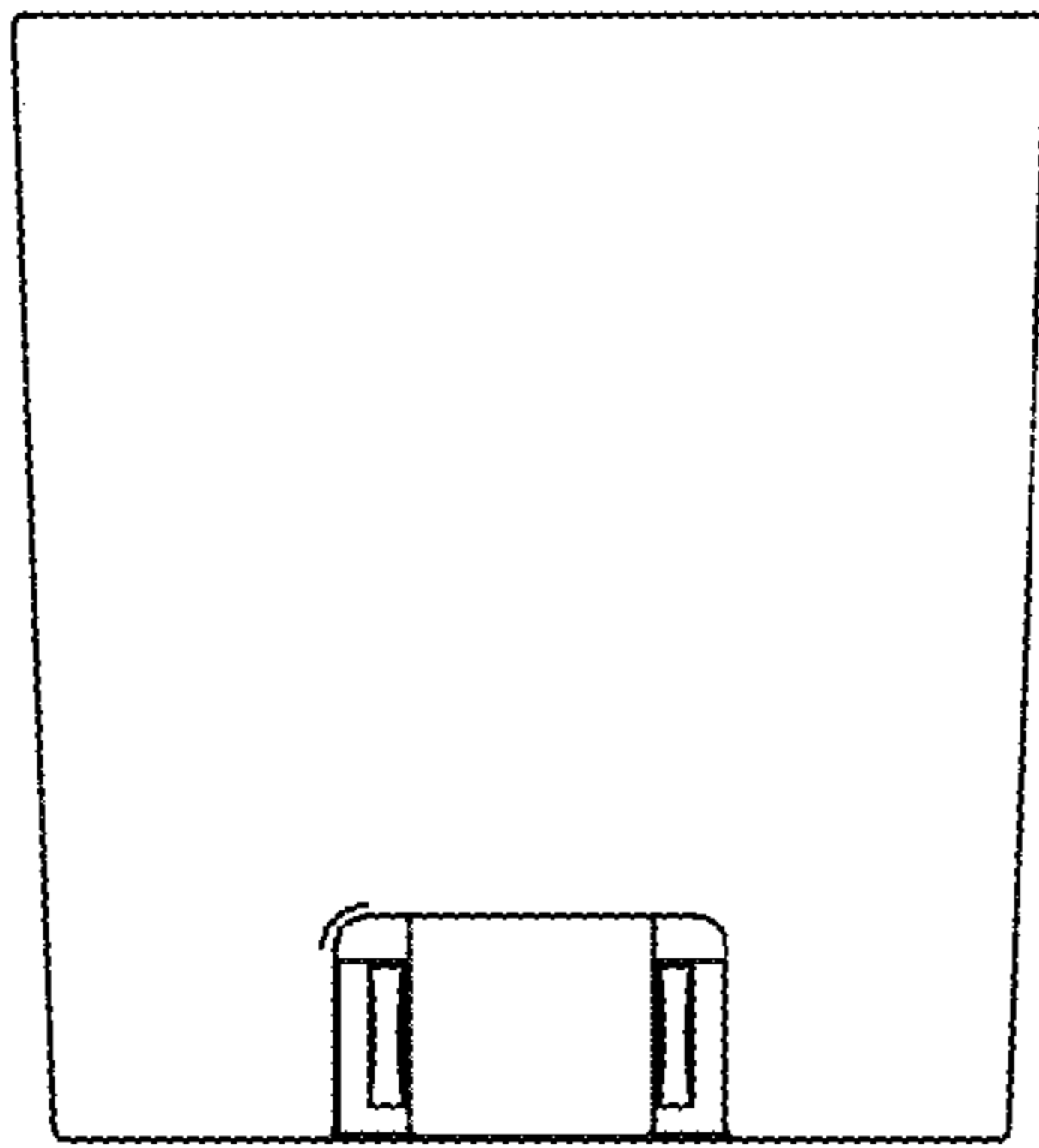


FIG. 17

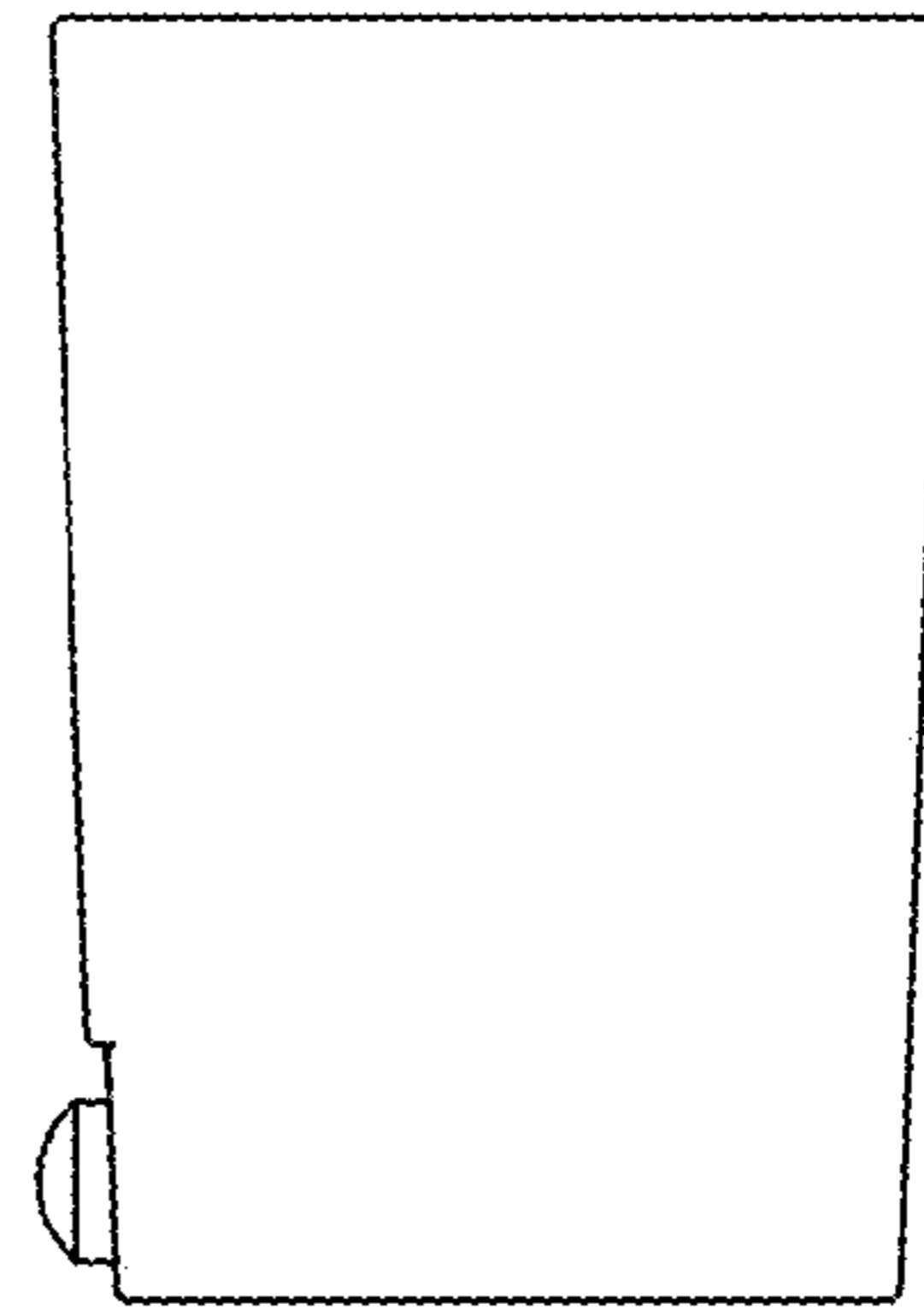


FIG. 18

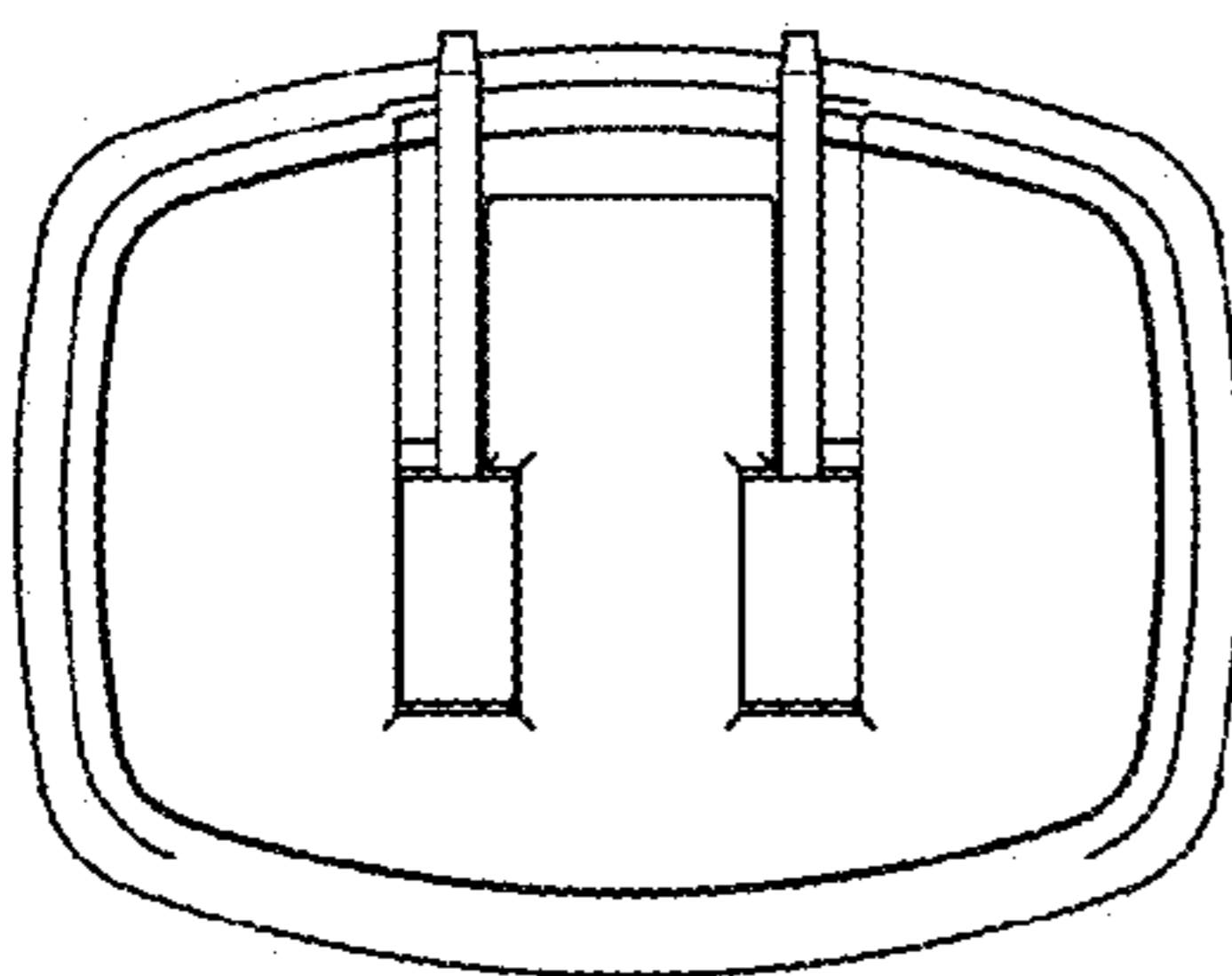


FIG. 19

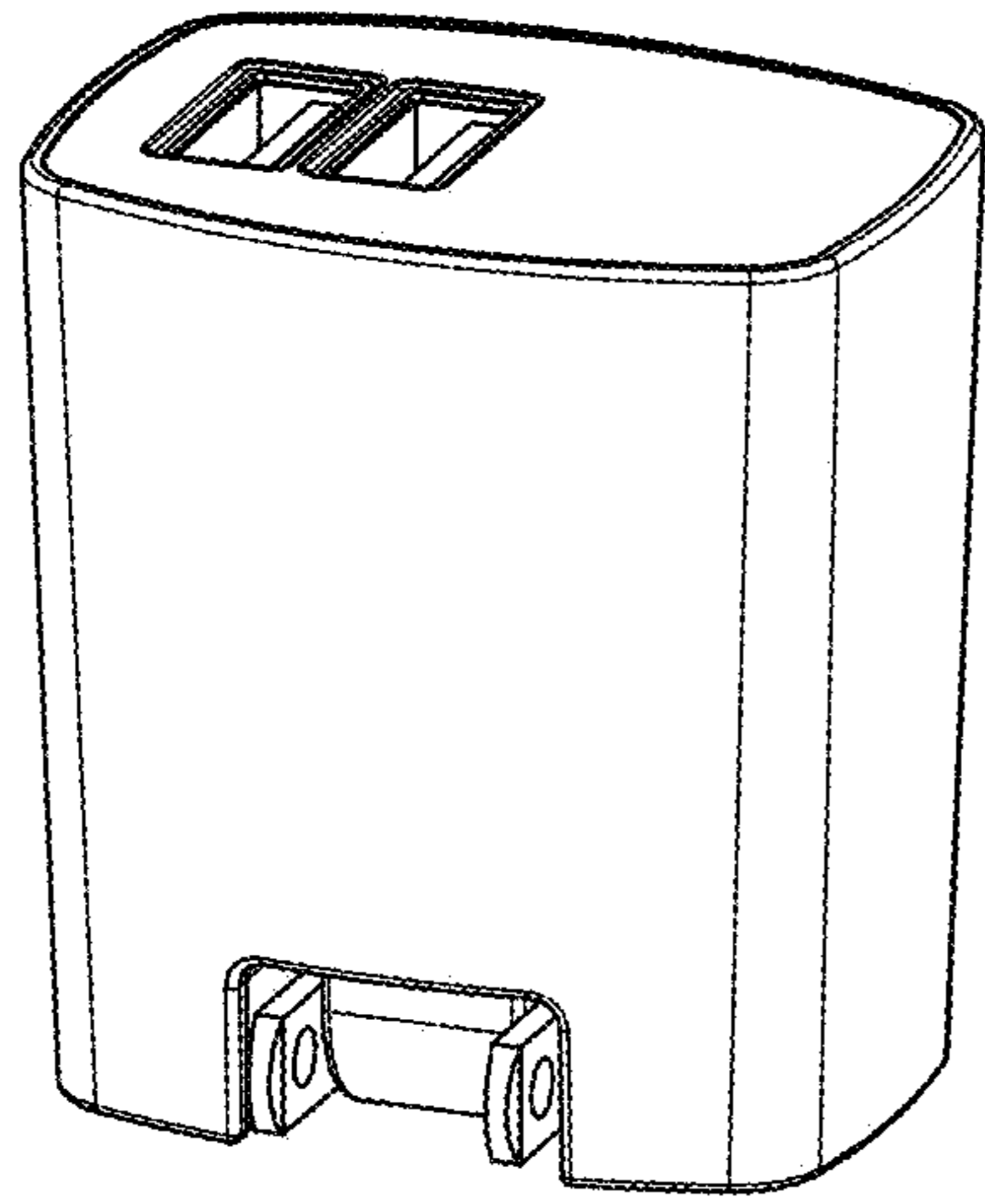


FIG. 20

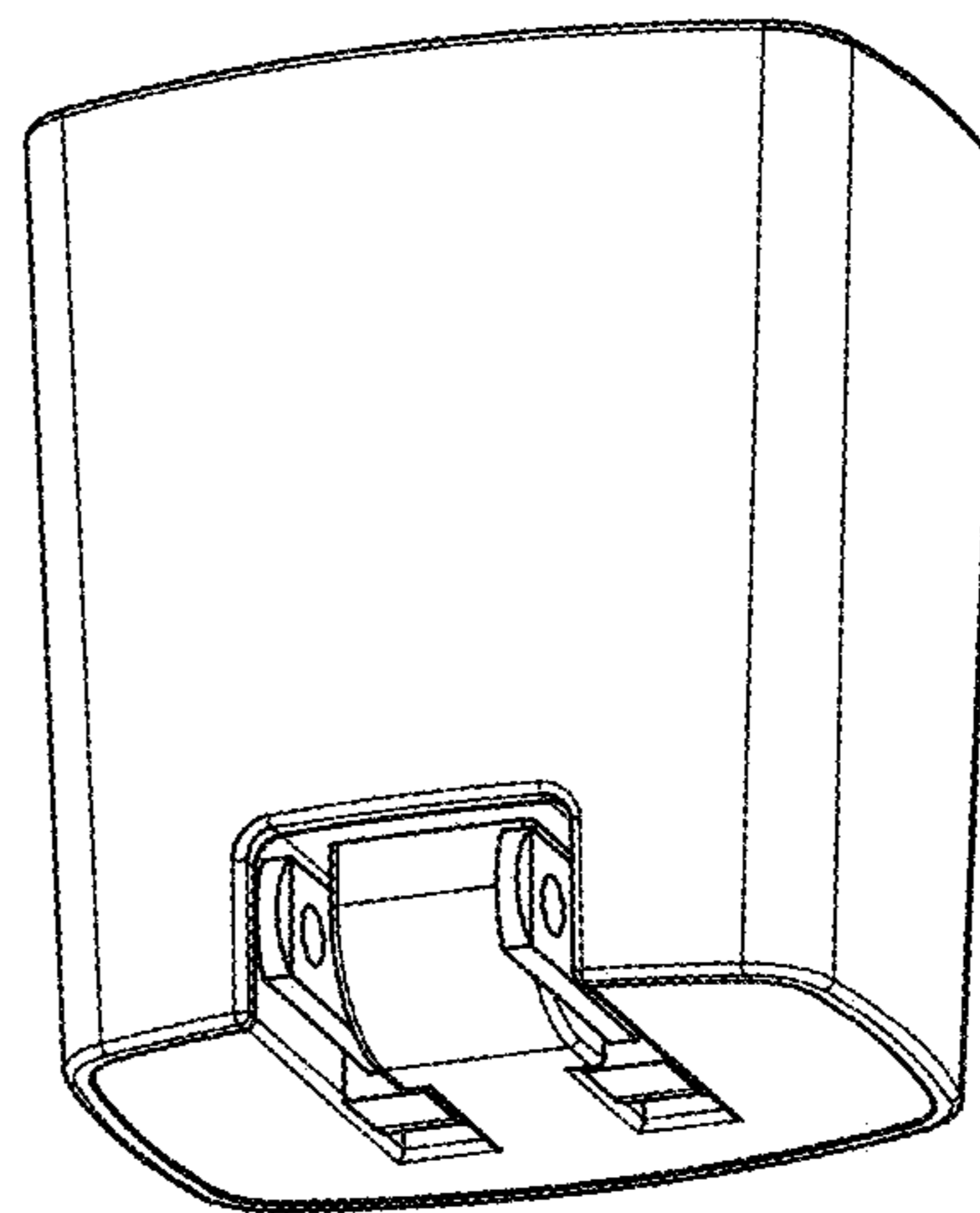


FIG. 21

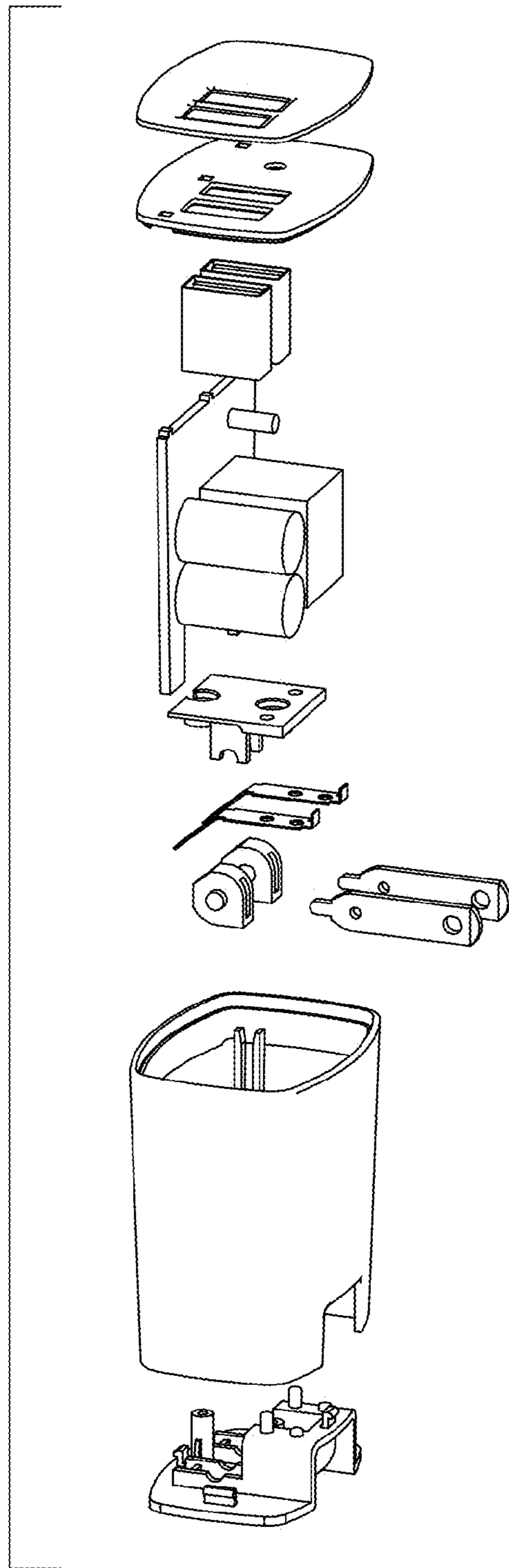


FIG. 22

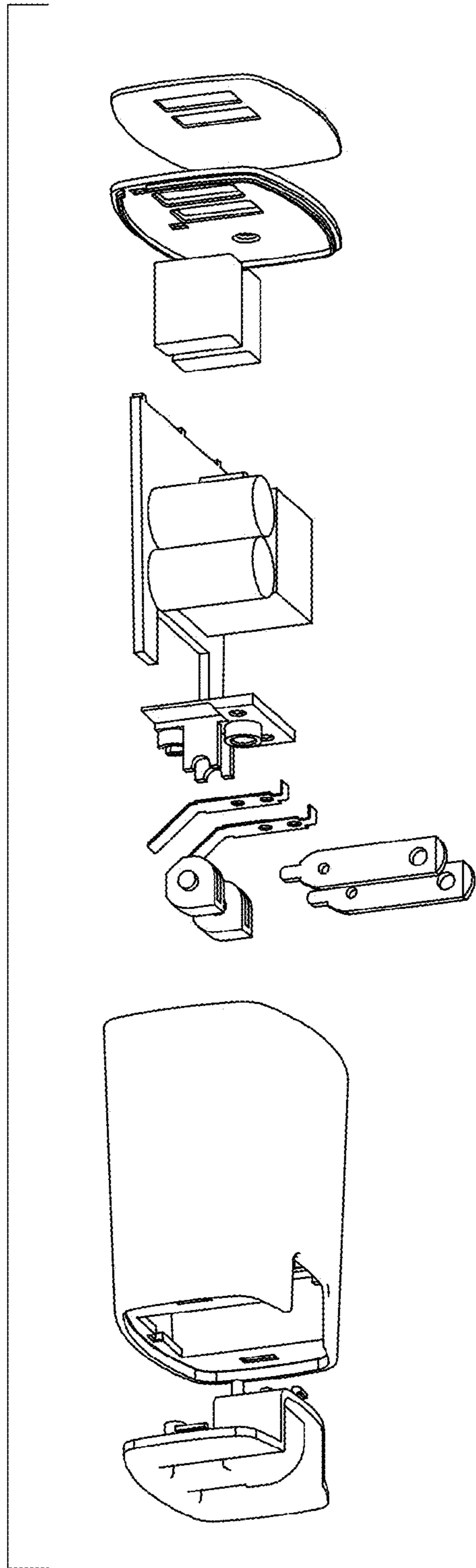


FIG. 23