



US00D730822S

(12) **United States Design Patent**
Chin-Ho Kim et al.

(10) **Patent No.:** **US D730,822 S**
(45) **Date of Patent:** **** Jun. 2, 2015**

(54) **DUAL ELECTRIC VEHICLE CHARGING STATION**

(71) Applicants: **Darren Chin-Ho Kim**, Oakland, CA (US); **David Baxter**, Monte Sereno, CA (US); **Craig T. Matsuno**, San Jose, CA (US); **Price Terzis**, Los Altos Hills, CA (US); **Peter H. Muller**, Woodside, CA (US)

(72) Inventors: **Darren Chin-Ho Kim**, Oakland, CA (US); **David Baxter**, Monte Sereno, CA (US); **Craig T. Matsuno**, San Jose, CA (US); **Price Terzis**, Los Altos Hills, CA (US); **Peter H. Muller**, Woodside, CA (US)

(73) Assignee: **ChargePoint, Inc.**, Campbell, CA (US)

(**) Term: **14 Years**

(21) Appl. No.: **29/485,887**

(22) Filed: **Mar. 24, 2014**

Related U.S. Application Data

(63) Continuation of application No. 29/460,142, filed on Jul. 8, 2013, now abandoned.

(51) **LOC (10) Cl.** **13-02**

(52) **U.S. Cl.**
USPC **D13/107**

(58) **Field of Classification Search**

USPC D13/107-110, 118-119, 184, 199;
D15/9; 320/103-115
CPC Y02E 60/12; Y02T 90/14; Y02T 90/122;
Y02T 90/128; Y02T 90/163; Y02T 10/7005;
Y02T 10/705; Y02T 10/7088; H02J 3/32;
H02J 3/008; H02J 7/025; H02J 7/0013;
H02J 7/0027; H02J 7/0034; H02J 7/0042;
H02J 7/0044; H02J 7/0045; H02J 7/0054;
H02J 7/1423; H02J 7/0003; H02J 2001/006;
H02J 2001/008; H01F 38/14; H01R 13/6675;
H01M 2/1022; H01M 2/1055; H01M 10/44;
H01M 10/46; H01M 10/425; B60L 11/182;
B60L 11/1809; B60L 11/1861; B60R 16/03

See application file for complete search history.

(56) **References Cited**

U.S. PATENT DOCUMENTS

3,418,552 A 12/1968 Holmes

(Continued)

FOREIGN PATENT DOCUMENTS

CH 133540 2/2007

OTHER PUBLICATIONS

Elektrobay Technical Specifications, Elektromotive Ltd., The Sussex Innovation Centre, United Kingdom, 2008, 1 page.

(Continued)

Primary Examiner — Rosemary K Tarcza

(74) *Attorney, Agent, or Firm* — Nicholson, De Vos, Webster & Elliott LLP

(57) **CLAIM**

The ornamental design for a dual electric vehicle charging station, as shown and described.

DESCRIPTION

FIG. 1 shows a perspective view of a dual electric vehicle charging station;

FIG. 2 shows a front view of the dual electric vehicle charging station of FIG. 1;

FIG. 3 shows a back view of the dual electric vehicle charging station of FIG. 1;

FIG. 4 shows a left view of the dual electric vehicle charging station of FIG. 1;

FIG. 5 shows a right view of the dual electric vehicle charging station of FIG. 1;

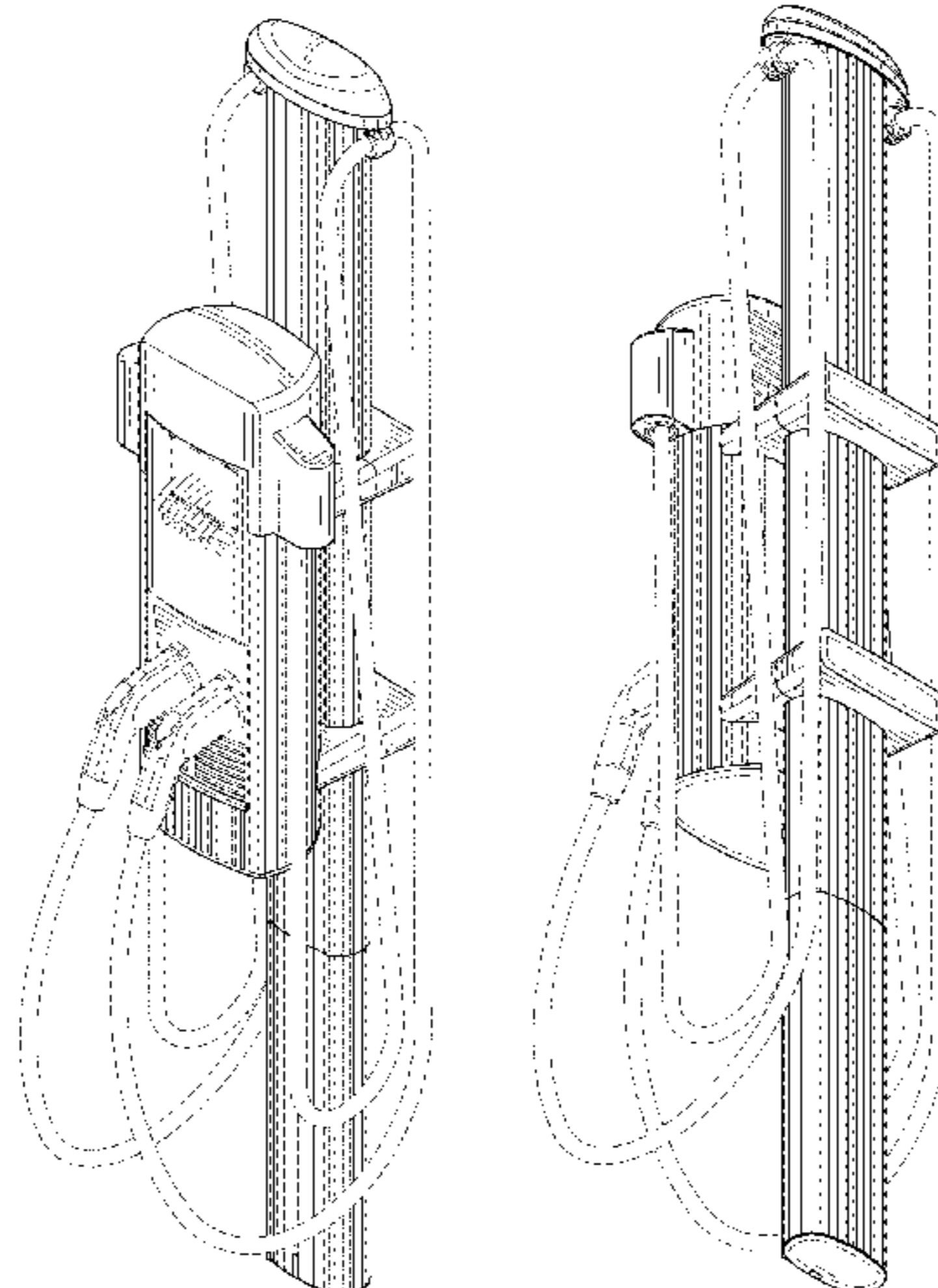
FIG. 6 shows a top view of the dual electric vehicle charging station of FIG. 1;

FIG. 7 shows a bottom view of the dual electric vehicle charging station of FIG. 1; and,

FIG. 8 shows a back perspective view of the dual electric vehicle charging station of FIG. 1.

The broken lines illustrate environmental structure and form no part of the claimed design.

1 Claim, 5 Drawing Sheets



(56)

References Cited

U.S. PATENT DOCUMENTS

D237,718 S 11/1975 Bozich
 4,158,102 A 6/1979 Bright
 D270,831 S 10/1983 Jensen
 D290,599 S 6/1987 Wyatt
 D299,821 S 2/1989 Dively
 D314,182 S 1/1991 Moerman
 D354,739 S 1/1995 Ourham et al.
 5,461,299 A 10/1995 Bruni
 D371,111 S 6/1996 Jones et al.
 D434,001 S 11/2000 Sayger
 D517,011 S 3/2006 Burke
 D534,869 S 1/2007 Stekelenburg
 D597,937 S 8/2009 Haw et al.
 D601,495 S 10/2009 Shum et al.
 D601,496 S 10/2009 Shum et al.
 D608,731 S 1/2010 Amit
 D613,683 S 4/2010 Baxter et al.
 D618,168 S 6/2010 Baxter et al.
 D626,063 S 10/2010 Cutter et al.
 D626,064 S 10/2010 Cutter et al.
 D626,065 S 10/2010 Cutter et al.
 D628,960 S 12/2010 Shimizu et al.
 D629,747 S 12/2010 Rajakaruna
 D635,510 S 4/2011 Inskeep
 D641,694 S 7/2011 Akahori et al.
 D642,521 S 8/2011 Markowitz
 D647,053 S 10/2011 Gotou et al.
 D654,430 S 2/2012 Demers et al.
 D654,857 S 2/2012 Salazar et al.
 D654,858 S 2/2012 Salazar et al.
 D654,860 S 2/2012 Holthusen
 D659,090 S 5/2012 deRoo et al.
 D659,635 S 5/2012 Hou et al.
 D660,791 S 5/2012 Murata et al.
 D662,045 S 6/2012 Gotou et al.
 D664,086 S 7/2012 Chin-Ho Kim et al.
 D664,087 S 7/2012 Chin-Ho Kim et al.
 D664,088 S 7/2012 Chin-Ho Kim et al.
 D664,089 S 7/2012 Chin-Ho Kim et al.
 D664,500 S 7/2012 Oegn
 D669,026 S 10/2012 Oda et al.
 D669,428 S 10/2012 Li et al.
 D674,335 S 1/2013 Yamashita et al.
 D676,376 S 2/2013 Yamada et al.

D683,306 S 5/2013 Lecoanet et al.
 D683,307 S 5/2013 Lecoanet et al.
 D683,697 S 6/2013 Lecoanet et al.
 D688,199 S 8/2013 Behar
 D709,827 S * 7/2014 Kang et al. D13/107
 D710,799 S * 8/2014 Chin-Ho Kim et al. D13/107
 D711,313 S * 8/2014 Chin-Ho Kim et al. D13/107
 D711,315 S * 8/2014 Chin-Ho Kim et al. D13/107
 D720,285 S * 12/2014 Gilomen D13/107
 2001/0003416 A1 6/2001 Kajiura
 2010/0013433 A1 1/2010 Baxter et al.
 2010/0013434 A1 1/2010 Taylor-Haw et al.
 2010/0320966 A1 12/2010 Baxter et al.
 2011/0037429 A1 2/2011 DeBoer et al.
 2011/0140656 A1 6/2011 Starr et al.
 2011/0145141 A1 6/2011 Blain
 2011/0169447 A1 7/2011 Brown et al.
 2011/0174875 A1 7/2011 Wurzer
 2011/0316479 A1 12/2011 Baxter et al.
 2014/0111158 A1 * 4/2014 Kinomura et al. 320/109
 2014/0117144 A1 * 5/2014 Kinomura et al. 242/590
 2014/0266017 A1 * 9/2014 Hamada et al. 320/107

OTHER PUBLICATIONS

Chin Ho Kim et al., Design U.S. Appl. No. 29/450,162 for Dual Electric Vehicle Charging Station, filed Mar. 15, 2013, 9 pages.
 Chin Ho Kim et al., Design U.S. Appl. No. 29/450,166 for Dual Electric Vehicle Charging Station, filed Mar. 15, 2013, 9 pages.
 Chin Ho Kim et al., Design U.S. Appl. No. 29/450,172 for Dual Electric Vehicle Charging Station, filed Mar. 15, 2013, 9 pages.
 Chin Ho Kim et al., Design U.S. Appl. No. 29/450,176 for Dual Electric Vehicle Charging Station, filed Mar. 15, 2013, 9 pages.
 Chin Ho Kim et al., Design U.S. Appl. No. 29/460,143 for Dual Electric Vehicle Charging Station, filed Jul. 8, 2013, 8 pages.
 Notice of Allowance for U.S. Appl. No. 29/466,901, mailed Nov. 6, 2013, 11 pages.
 Notice of Allowance for U.S. Appl. No. 29/466,400, mailed Nov. 6, 2013, 11 pages.
 Notice of Allowance for U.S. Appl. No. 29/466,792, mailed Dec. 19, 2013, 12 pages.
 Notice of Allowance for U.S. Appl. No. 29/460,142, mailed Jan. 3, 2014, 9 pages.
 Notice of Allowance for U.S. Appl. No. 29/460,143, mailed Dec. 24, 2013, 9 pages.

* cited by examiner

FIG. 1

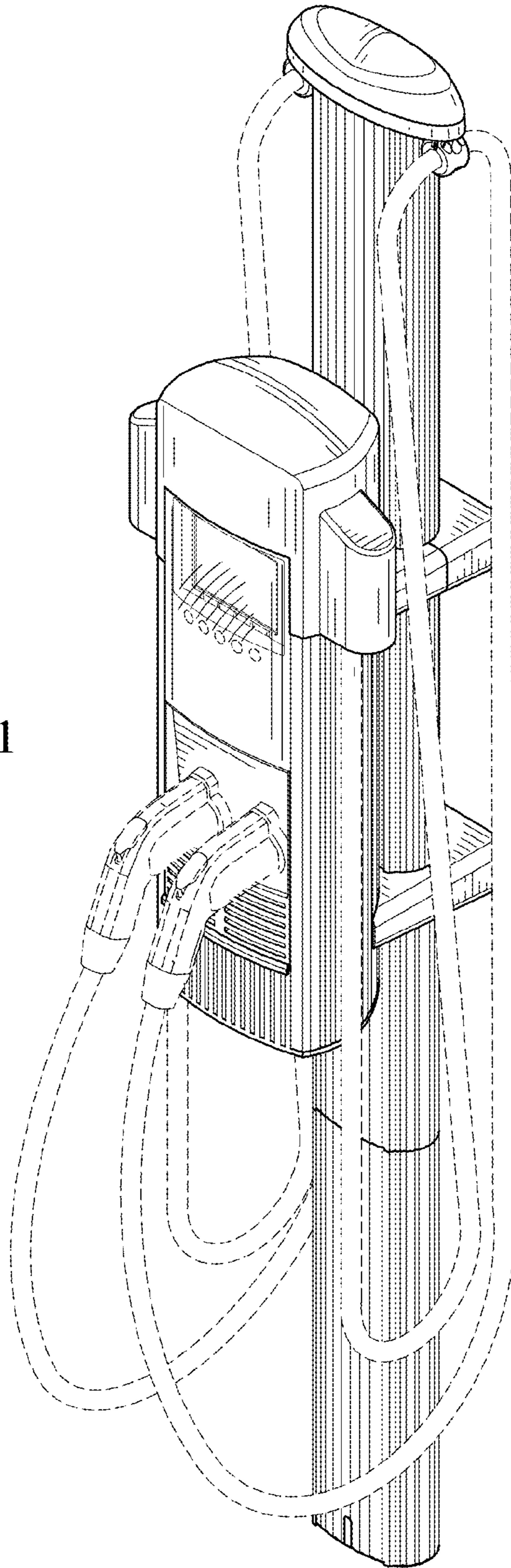


FIG. 2

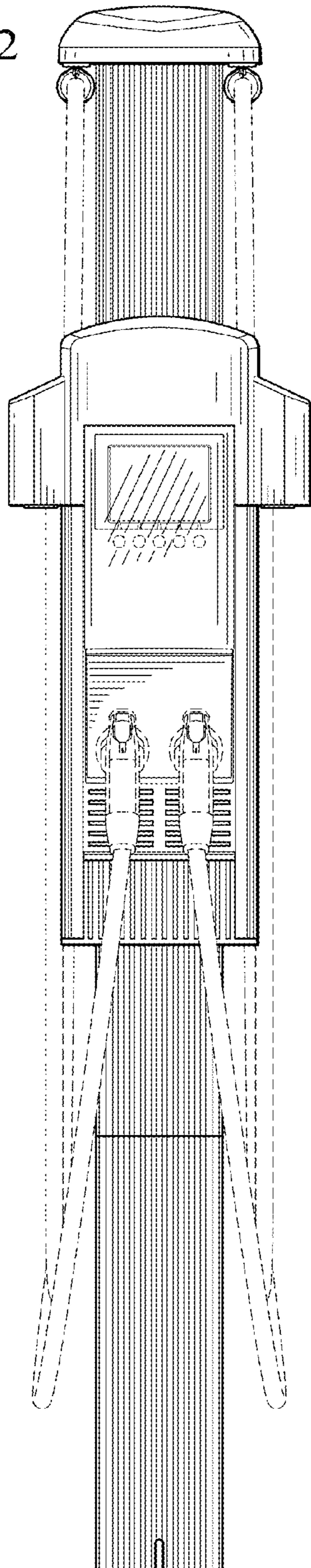


FIG. 3

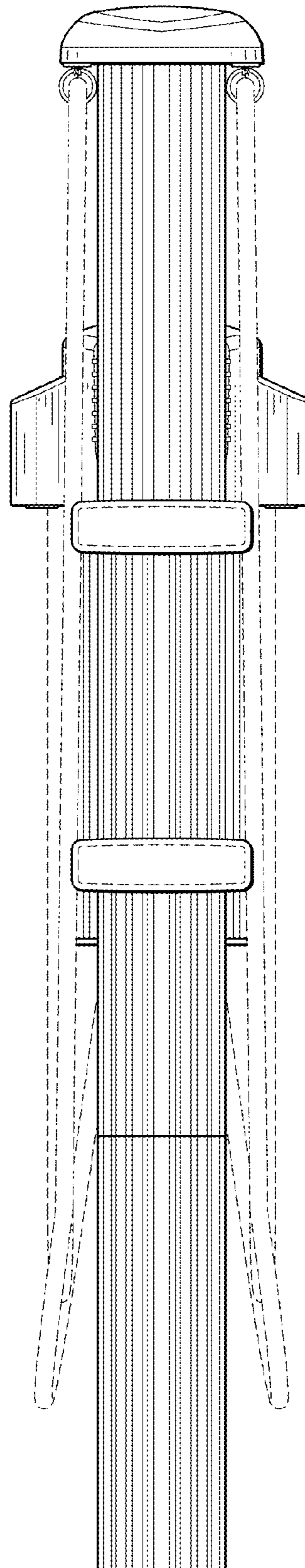


FIG. 4

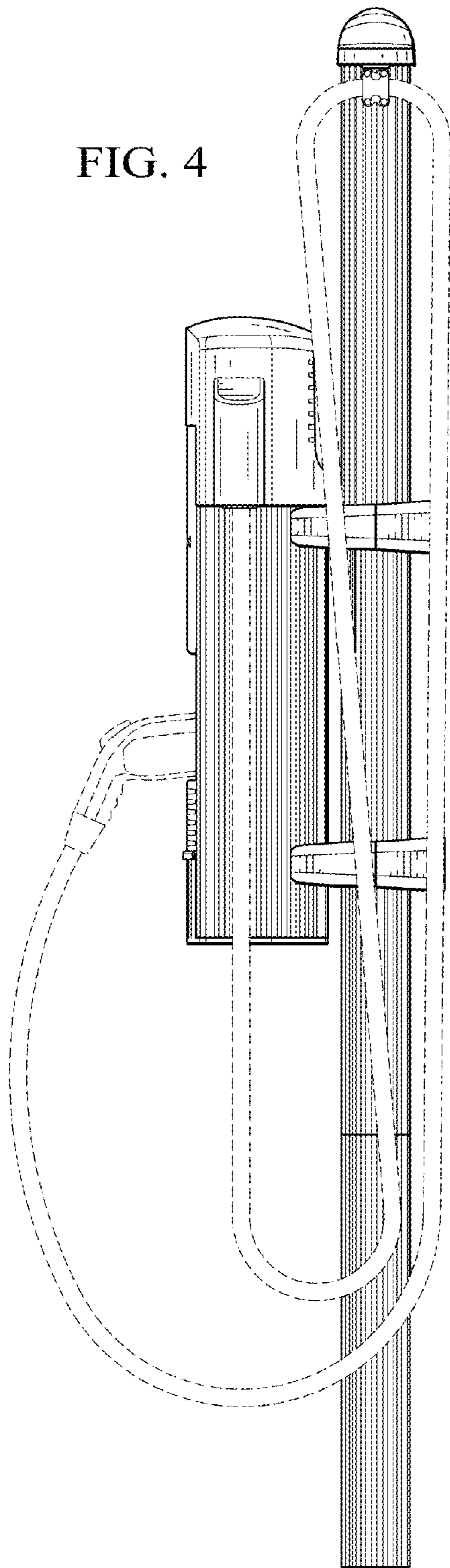
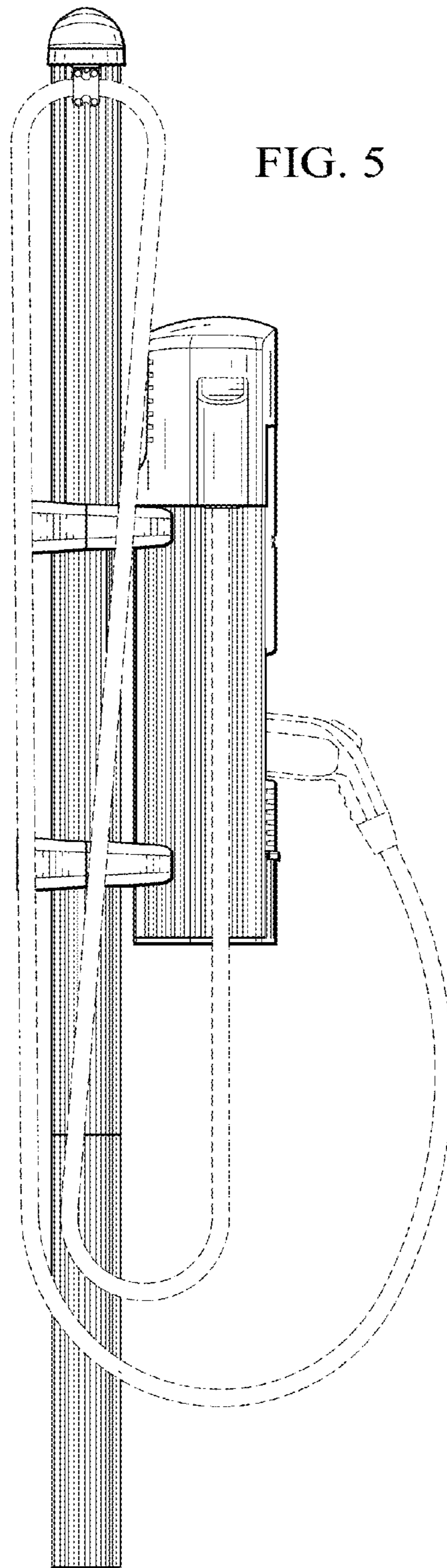


FIG. 5



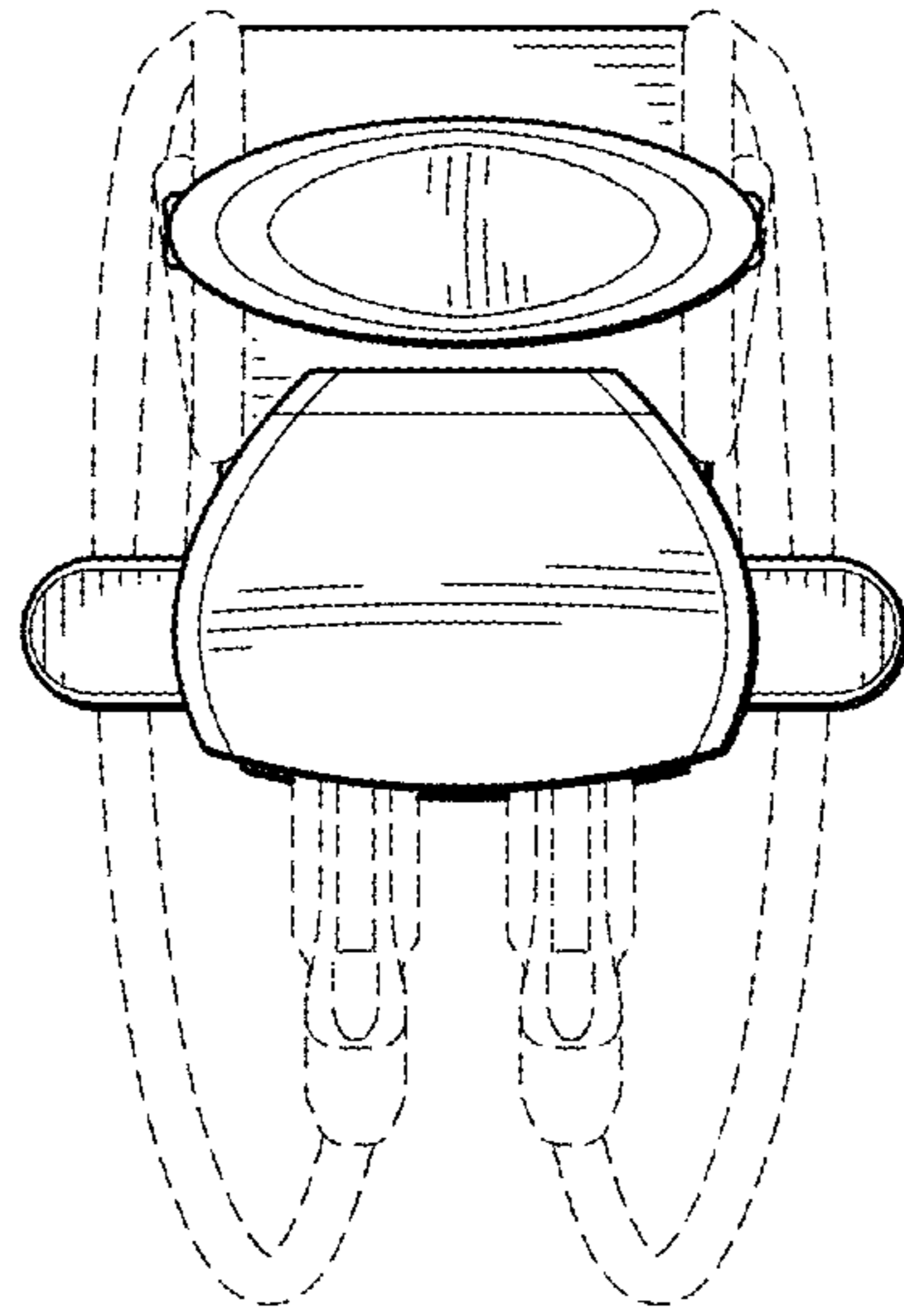


FIG. 6

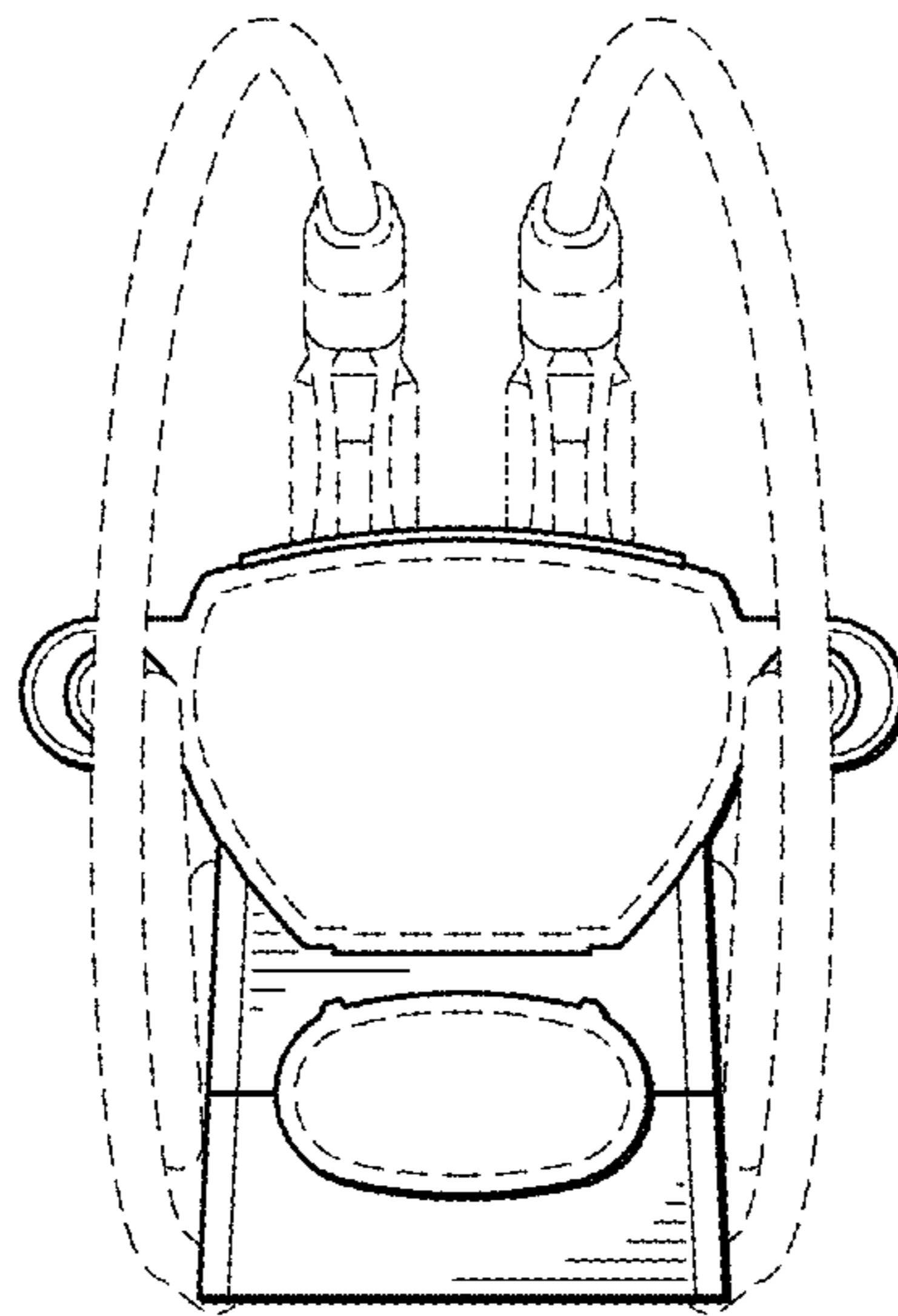


FIG. 7

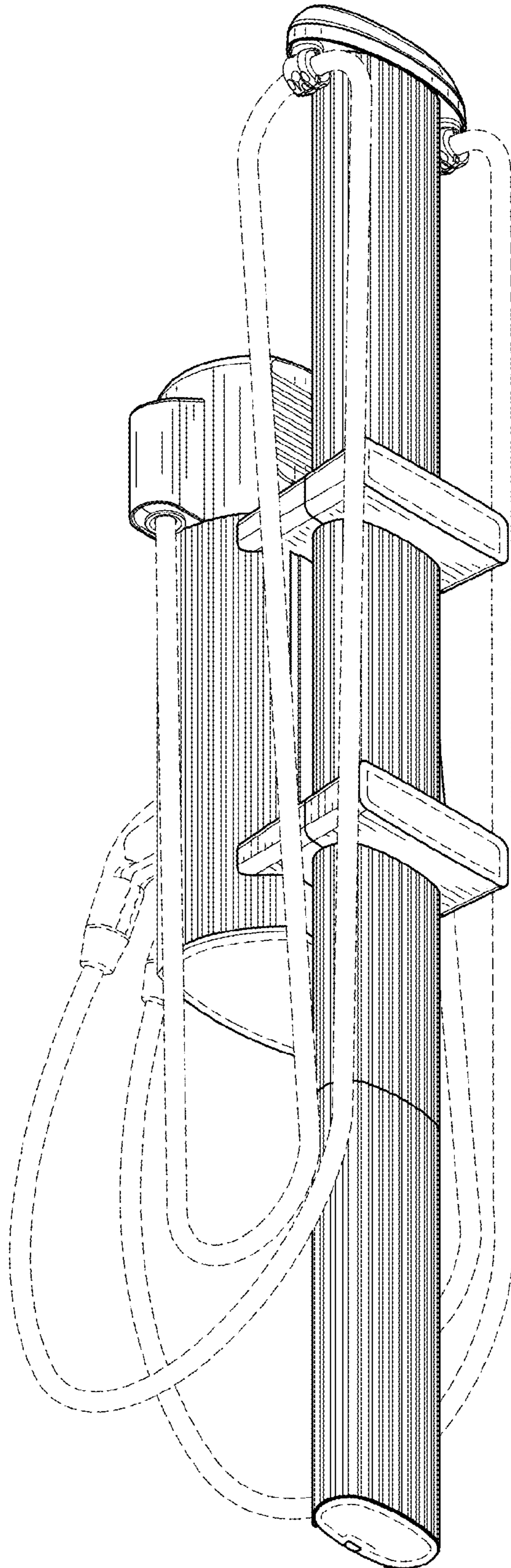


FIG. 8